



US00D849181S

(12) **United States Design Patent**
Burrow

(10) **Patent No.:** **US D849,181 S**

(45) **Date of Patent:** **** May 21, 2019**

(54) **CARTRIDGE PRIMER INSERT**

FOREIGN PATENT DOCUMENTS

(71) Applicant: **TRUE VELOCITY IP HOLDINGS, LLC**, Dallas, TX (US)

CA 2813634 A1 4/2012
DE 16742 1/1882

(Continued)

(72) Inventor: **Lonnie Burrow**, Carrollton, TX (US)

(73) Assignee: **True Velocity IP Holdings, LLC**, Garland, TX (US)

OTHER PUBLICATIONS

AccurateShooter.com Daily Bulletin "New PolyCase Ammunition and Injection-Molded Bullets" Jan. 11, 2015.

(Continued)

(**) Term: **15 Years**

(21) Appl. No.: **29/612,265**

Primary Examiner — Michael A. Pratt

(22) Filed: **Jul. 31, 2017**

(74) *Attorney, Agent, or Firm* — Chainey P. Singleton

Related U.S. Application Data

(60) Continuation of application No. 14/011,202, filed on Aug. 27, 2013, now Pat. No. 9,546,849, which is a division of application No. 13/292,843, filed on Nov. 9, 2011, now Pat. No. 8,561,543, application No. 14/748,508, filed on Jun. 24, 2015, which is a continuation of application No. 14/320,961, filed on Jul. 1, 2014.

(57) **CLAIM**

The ornamental design for a cartridge primer insert, as shown and described.

(51) **LOC (11) Cl.** **22-03**

(52) **U.S. Cl.**
USPC **D22/115**

(58) **Field of Classification Search**
USPC D22/115-116
CPC F42B 30/02; F42B 5/02; F42B 5/26; F42B 12/34; F42B 8/04; F42B 10/22; F42B 8/14; F41A 9/83; F41A 9/82; F41A 9/01; F41A 9/09; F41A 9/86
See application file for complete search history.

DESCRIPTION

FIG. 1 is an isometric view of a cartridge primer insert showing my new design.

FIG. 2 is a side view of a cartridge primer insert showing my new design.

FIG. 3 is a side view of a cartridge primer insert showing my new design.

FIG. 4 is a top view of a cartridge primer insert showing my new design.

FIG. 5 is a bottom view of a cartridge primer insert showing my new design.

FIG. 6 is a cross sectional view of a cartridge primer insert showing my new design; and,

FIG. 7 is an isometric cross sectional view showing the cartridge primer insert molded into a cartridge casing.

The nature and intended use of the article in which the design is embodied is a primer insert used in the manufacture of .223 and 5.56 caliber polymer ammunition casings.

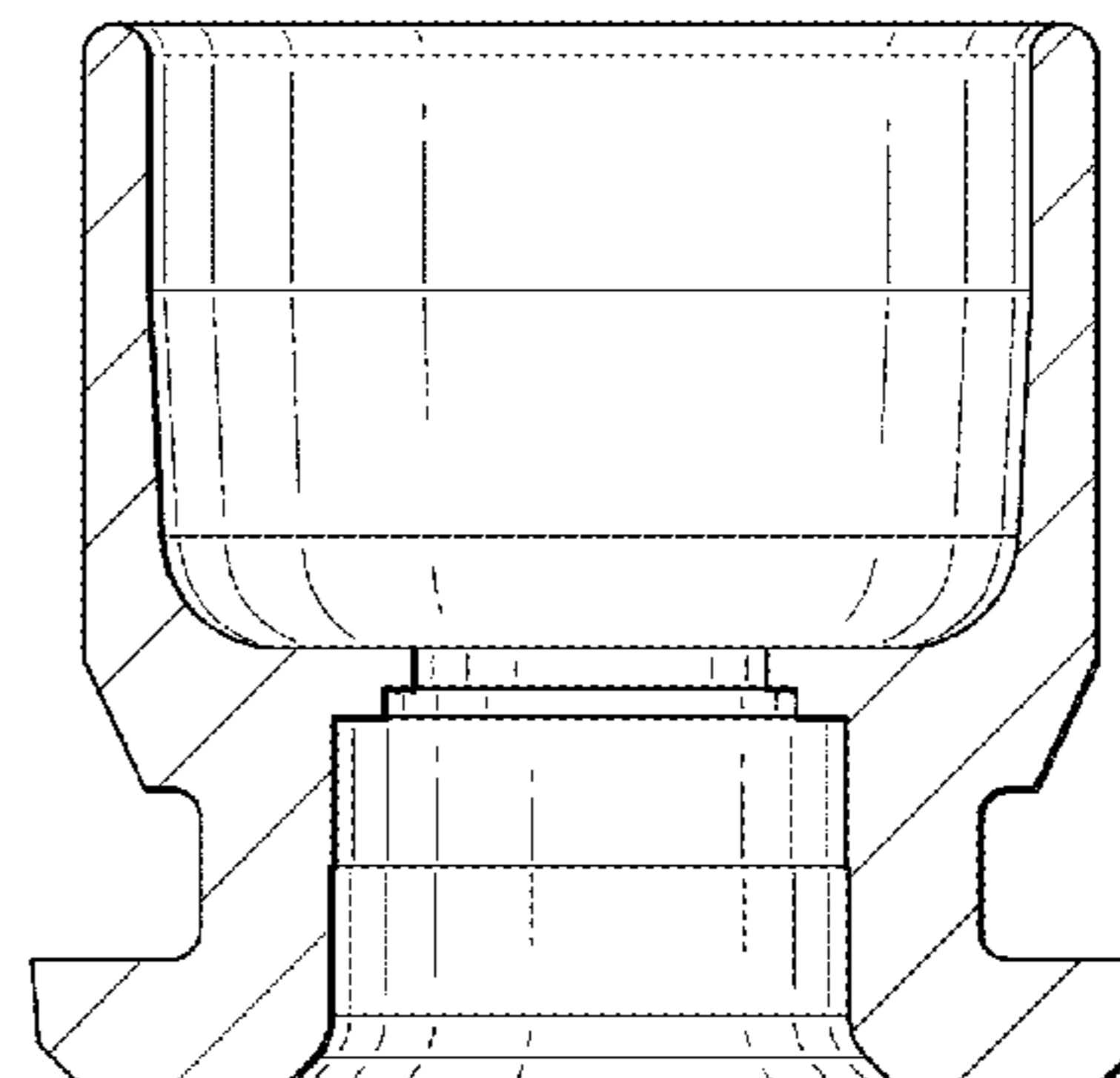
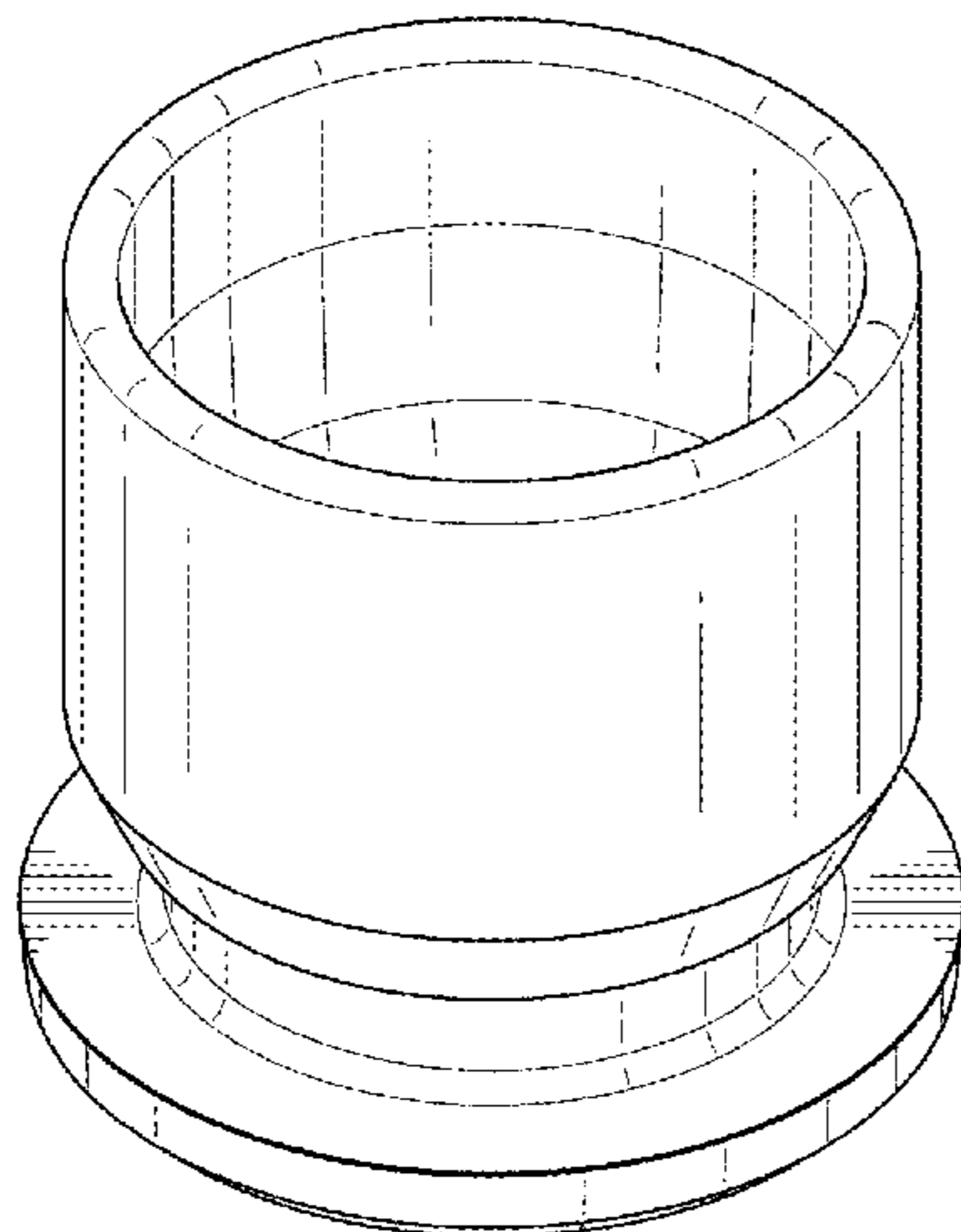
(56) **References Cited**

U.S. PATENT DOCUMENTS

99,528 A 2/1870 Boyd
113,634 A 4/1871 Crispin
130,679 A 8/1872 Whitmore
159,665 A 2/1875 Gauthey

(Continued)

1 Claim, 5 Drawing Sheets



US D849,181 S

(56)

References Cited

U.S. PATENT DOCUMENTS

9,212,879 B2	12/2015	Whitworth	2013/0180392 A1	7/2013	Nuetzman et al.
9,213,175 B2	12/2015	Arnold	2013/0186294 A1	7/2013	Davies et al.
9,254,503 B2	2/2016	Ward	2014/0060372 A1*	3/2014	Padgett F42B 5/067 102/466
9,255,775 B1	2/2016	Rubin	2014/0060373 A1	3/2014	Maljkovic et al.
9,329,004 B2	5/2016	Pace	2014/0076188 A1	3/2014	Maljkovic et al.
9,335,137 B2	5/2016	Maljkovic et al.	2014/0216293 A1	8/2014	Klein et al.
9,337,278 B1	5/2016	Gu et al.	2014/0224144 A1	8/2014	Neugebauer
9,347,457 B2	5/2016	Ahrens et al.	2014/0235784 A1	8/2014	Maljkovic et al.
9,366,512 B2	6/2016	Burczynski et al.	2014/0260925 A1	9/2014	Beach et al.
9,377,278 B2	6/2016	Rubin	2014/0261046 A1	9/2014	Marx
9,389,052 B2	7/2016	Conroy et al.	2014/0326157 A1	11/2014	Conroy
9,395,165 B2	7/2016	Maljkovic et al.	2014/0345488 A1	11/2014	Schluckebier et al.
D764,624 S	8/2016	Masinelli	2014/0373744 A1	12/2014	Padgett
D765,214 S	8/2016	Padgett	2015/0007716 A1	1/2015	MacVicar et al.
9,429,407 B2	8/2016	Burrow	2015/0033970 A1*	2/2015	Maljkovic F42B 5/307 102/467
9,441,930 B2	9/2016	Burrow	2015/0033990 A1	2/2015	Yeager
9,453,714 B2	9/2016	Bosarge et al.	2015/0036058 A1	2/2015	Ng et al.
9,528,799 B2	12/2016	Maljkovic	2015/0075400 A1	3/2015	Lemke et al.
9,546,849 B2	1/2017	Burrow	2015/0219573 A1	8/2015	Lukay et al.
D778,391 S	2/2017	Burrow	2015/0226220 A1	8/2015	Bevington
D778,393 S	2/2017	Burrow	2015/0241183 A1*	8/2015	Padgett F42B 5/025 102/466
D778,394 S	2/2017	Burrow	2015/0241184 A1	8/2015	Burrow
D778,395 S	2/2017	Burrow	2015/0260490 A1	9/2015	Burrow
D779,024 S	2/2017	Burrow	2015/0260491 A1	9/2015	Burrow
9,939,236 B2	4/2018	Drobockyi et al.	2015/0260495 A1	9/2015	Burrow
2001/0013299 A1*	8/2001	Husseini F42B 5/307 102/466	2015/0330756 A1	11/2015	Ward
2002/0084543 A1*	7/2002	Buja B29C 45/76 264/40.4	2015/0360587 A1	12/2015	Hoffmann et al.
2003/0101891 A1	6/2003	Amick	2016/0003587 A1	1/2016	Burrow
2003/0217665 A1	11/2003	Rennard	2016/0003588 A1	1/2016	Burrow
2004/0159262 A1	8/2004	LeaSure	2016/0003589 A1	1/2016	Burrow
2005/0005807 A1	1/2005	Wiley	2016/0003590 A1	1/2016	Burrow
2005/0016411 A1	1/2005	Amick	2016/0003593 A1	1/2016	Burrow
2005/0056183 A1	3/2005	Meshirer	2016/0003594 A1	1/2016	Burrow
2005/0188883 A1	9/2005	Husseini et al.	2016/0003595 A1	1/2016	Burrow
2005/0257711 A1*	11/2005	Husseini F42B 5/30 102/466	2016/0003596 A1	1/2016	Burrow
2005/0257712 A1*	11/2005	Husseini F42B 5/30 102/466	2016/0003597 A1	1/2016	Burrow
2005/0268808 A1	12/2005	Werner	2016/0003601 A1	1/2016	Burrow
2006/0027129 A1	2/2006	Kolb et al.	2016/0033241 A1	2/2016	Burrow
2006/0207464 A1*	9/2006	Maljkovic C08L 65/02 102/466	2016/0033246 A1	2/2016	Burrow
2006/0246167 A1*	11/2006	Buja B29C 45/77 425/144	2016/0102030 A1	4/2016	Coffey et al.
2006/0283314 A1	12/2006	Cesaroni	2016/0131464 A1	5/2016	Rubin
2007/0056343 A1	3/2007	Cremonesi	2016/0153757 A1	6/2016	Mahnke
2007/0214992 A1	9/2007	Dittrich	2016/0161232 A1	6/2016	Rubin
2007/0261587 A1*	11/2007	Chung F42B 5/313 102/469	2016/0238355 A1	8/2016	Dionne et al.
2009/0042057 A1	2/2009	Thomas et al.	2016/0245626 A1	8/2016	Drieling et al.
2009/0183850 A1*	7/2009	Morrison B22F 5/009 164/91	2016/0265886 A1	9/2016	Aldrich et al.
2010/0016518 A1	1/2010	El-Hibri et al.	2016/0273896 A1	9/2016	Emary
2010/0258023 A1	10/2010	Reynolds	2016/0349022 A1	12/2016	Burrow
2010/0282112 A1*	11/2010	Battaglia F42B 5/26 102/467	2016/0349023 A1	12/2016	Burrow
2010/0300319 A1	12/2010	Guindon	2016/0349028 A1	12/2016	Burrow
2010/0305261 A1	12/2010	Maljkovic et al.	2016/0356581 A1	12/2016	Burrow
2011/0016717 A1*	1/2011	Morrison B22F 3/105 29/889.72	2016/0356588 A1	12/2016	Burrow
2011/0179965 A1	7/2011	Mason	2016/0377399 A1	12/2016	Burrow
2011/0226149 A1	9/2011	Tepe et al.	2017/0080498 A1	3/2017	Burrow
2012/0024183 A1	2/2012	Klein	2017/0082409 A1	3/2017	Burrow
2012/0111219 A1*	5/2012	Burrow F42B 5/307 102/467	2017/0082411 A1	3/2017	Burrow
2012/0152101 A1	6/2012	Engleman et al.	2017/0089672 A1	3/2017	Burrow
2012/0180687 A1*	7/2012	Padgett F42B 5/313 102/466	2017/0089673 A1	3/2017	Burrow
2012/0180688 A1*	7/2012	Padgett F42B 5/313 102/466	2017/0089674 A1	3/2017	Burrow
2013/0014664 A1*	1/2013	Padgett F42B 5/313 102/439	2017/0089675 A1	3/2017	Burrow
			2017/0089679 A1	3/2017	Burrow
			2018/0259310 A1	9/2018	Burrow
			2019/0011232 A1	1/2019	Boss et al.
			2019/0011233 A1	1/2019	Boss et al.
			2019/0011235 A1	1/2019	Boss et al.
			2019/0011236 A1	1/2019	Burrow
			2019/0011237 A1	1/2019	Burrow
			2019/0011238 A1	1/2019	Burrow
			2019/0011239 A1	1/2019	Burrow
			2019/0011240 A1	1/2019	Burrow
			2019/0011241 A1	1/2019	Burrow
			FOREIGN PATENT DOCUMENTS		
			EP	2625486	8/2013
			FR	1412414 A	10/1965

(56)

References Cited

FOREIGN PATENT DOCUMENTS

GB	783023 A	9/1957
WO	0034732	6/2000
WO	2007014024 A2	2/2007
WO	2012047615 A1	4/2012
WO	2012097317 A2	7/2012
WO	2012097320 A1	7/2012
WO	2013070250 A1	5/2013
WO	2013096848 A1	6/2013
WO	2014062256 A2	4/2014
WO	2016003817 A1	1/2016

OTHER PUBLICATIONS

Korean Intellectual Property Office (ISA), International Search Report and Written Opinion for PCT/US2011/062781 dated Nov. 30, 2012, 16 pp.

Korean Intellectual Property Office (ISA), International Search Report and Written Opinion for PCT/US2015/038061 dated Sep. 21, 2015, 28 pages.

* cited by examiner

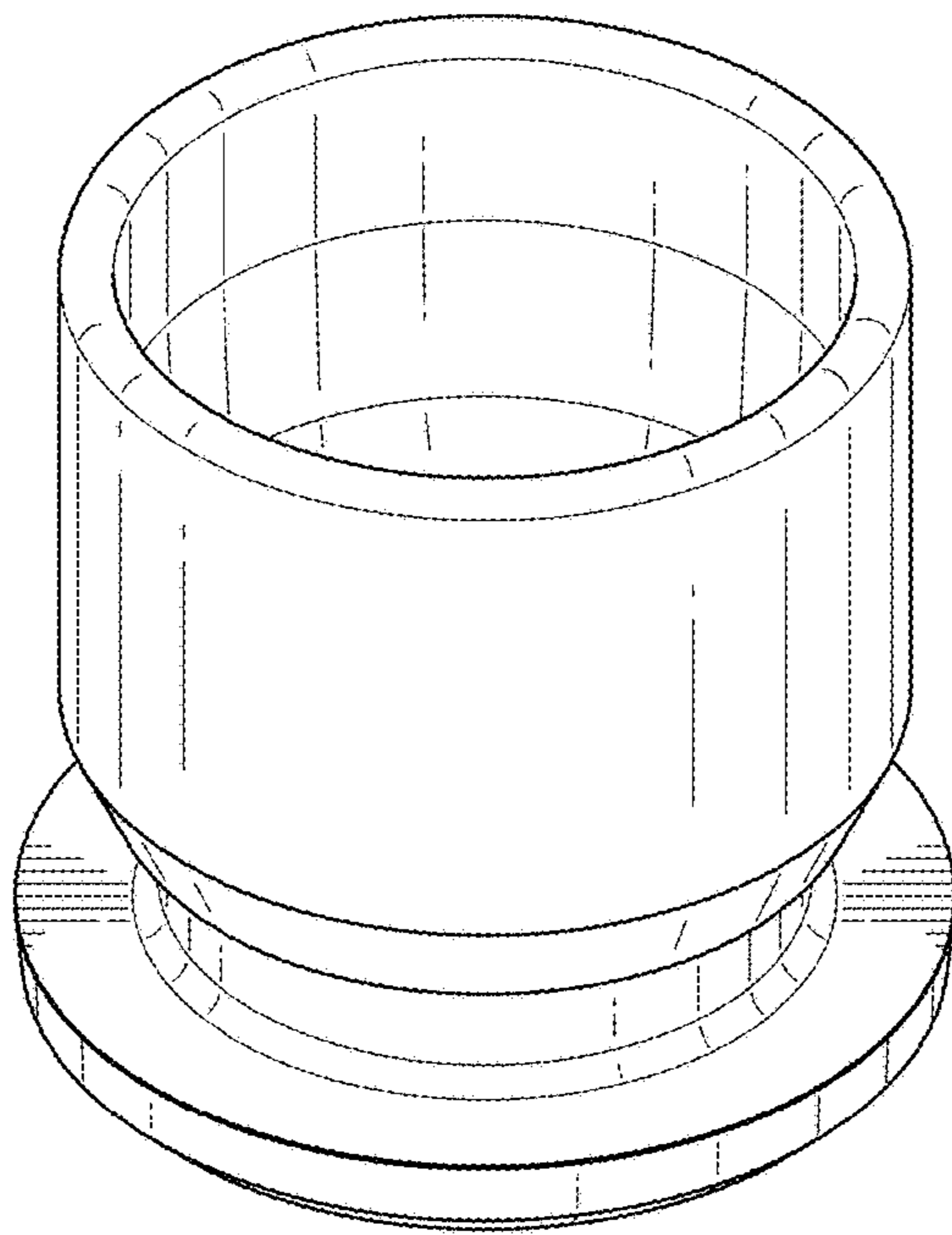


FIG. 1

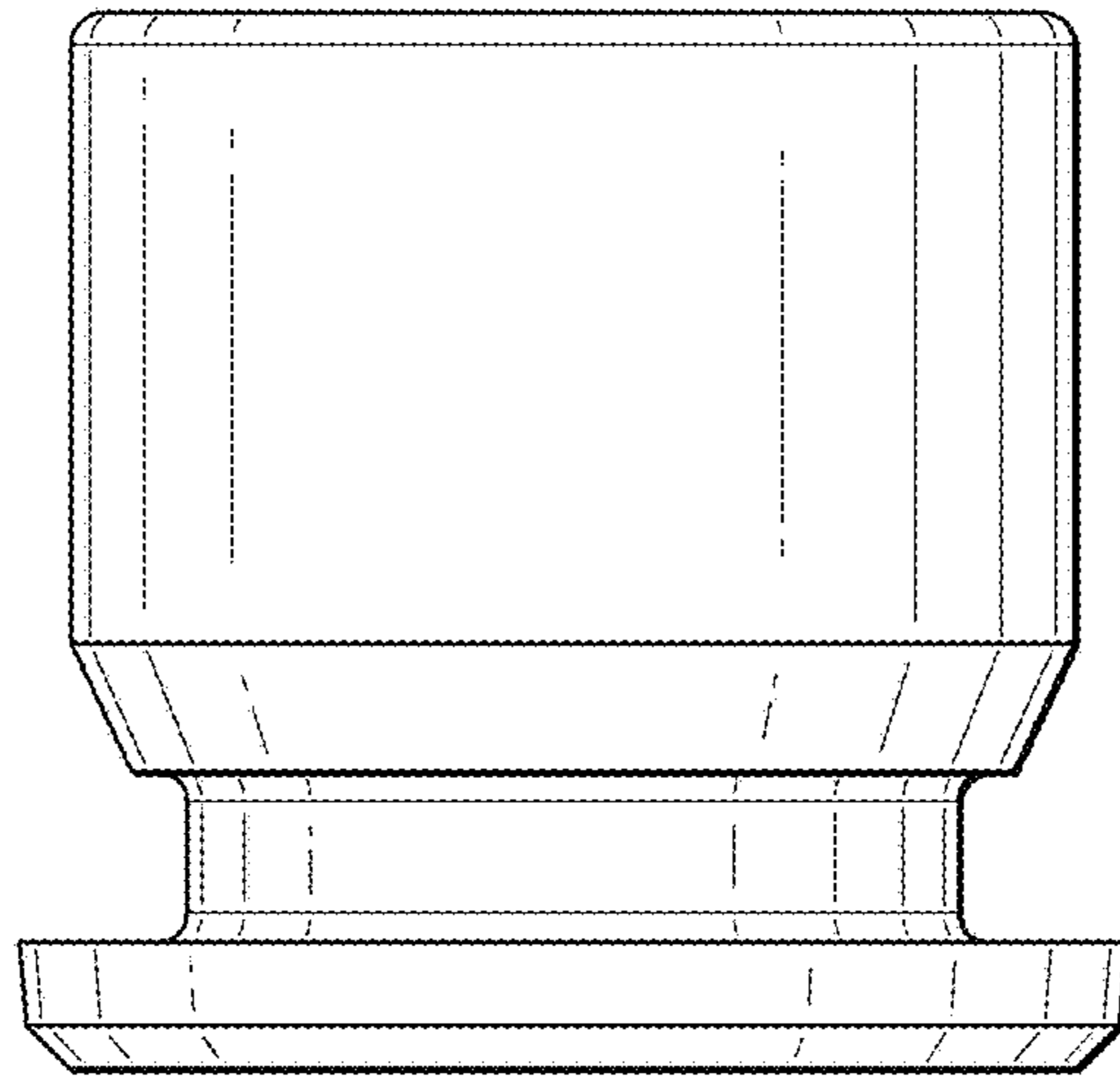


FIG. 2

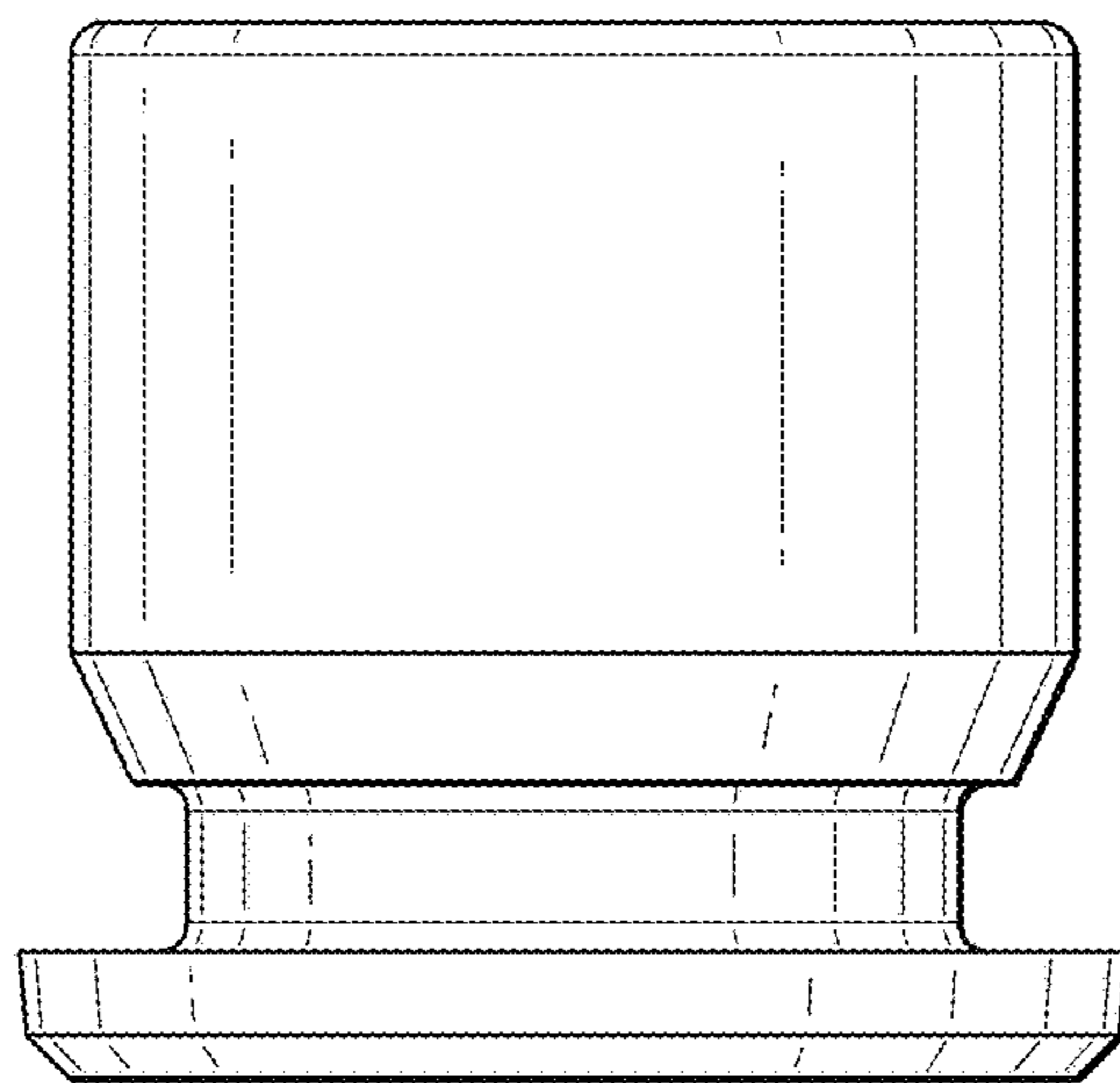


FIG. 3

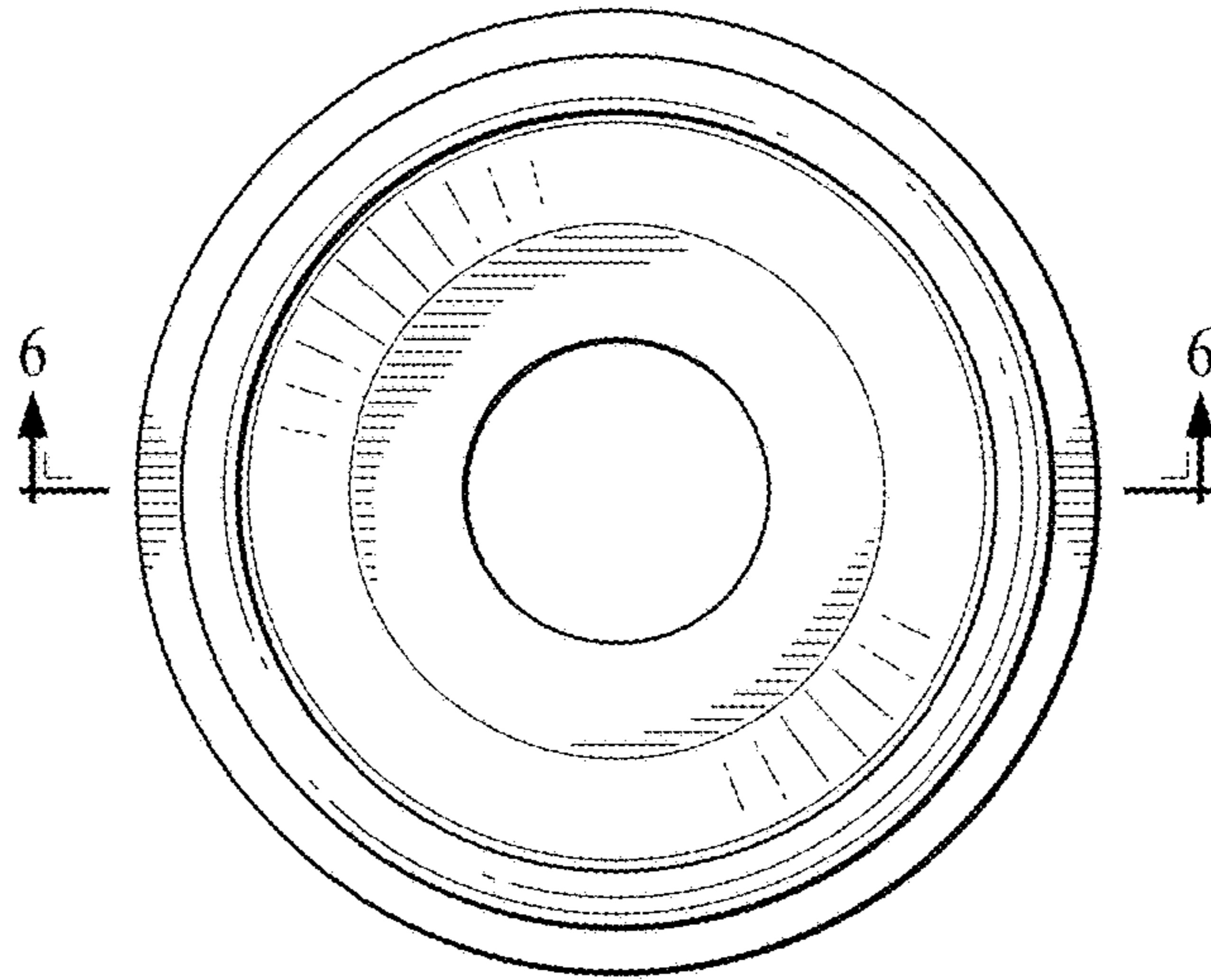


FIG. 4

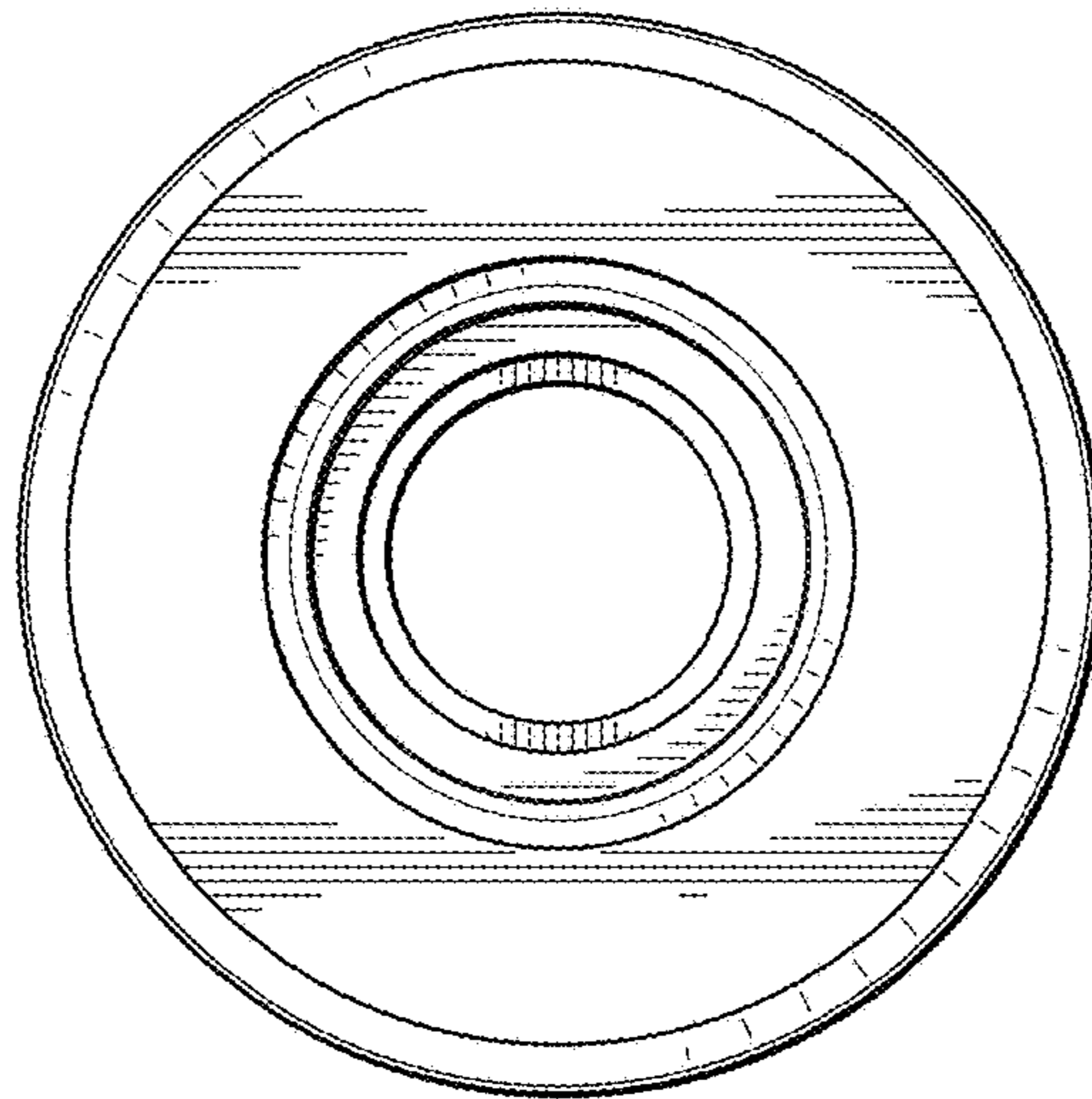


FIG. 5

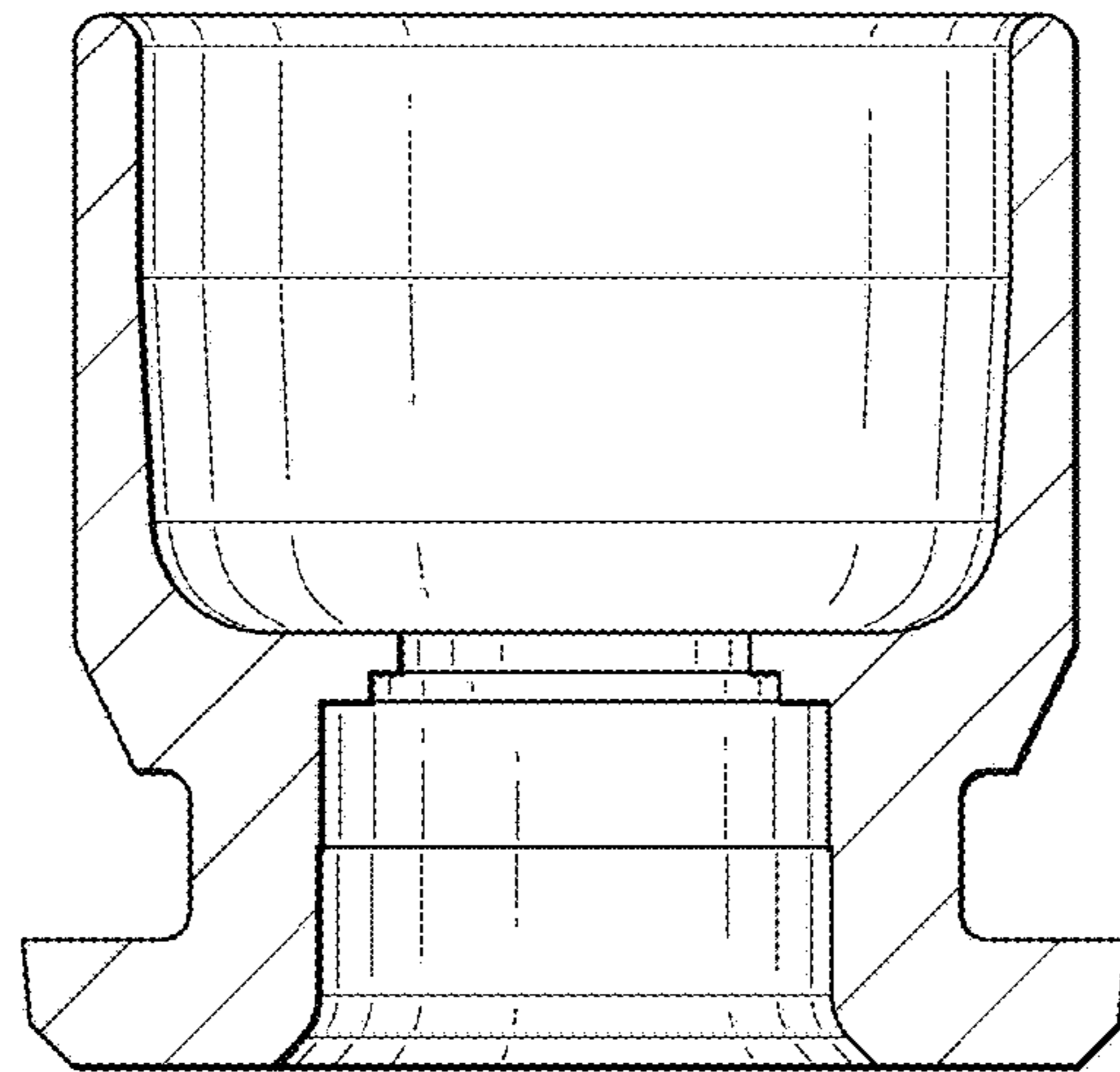


FIG. 6

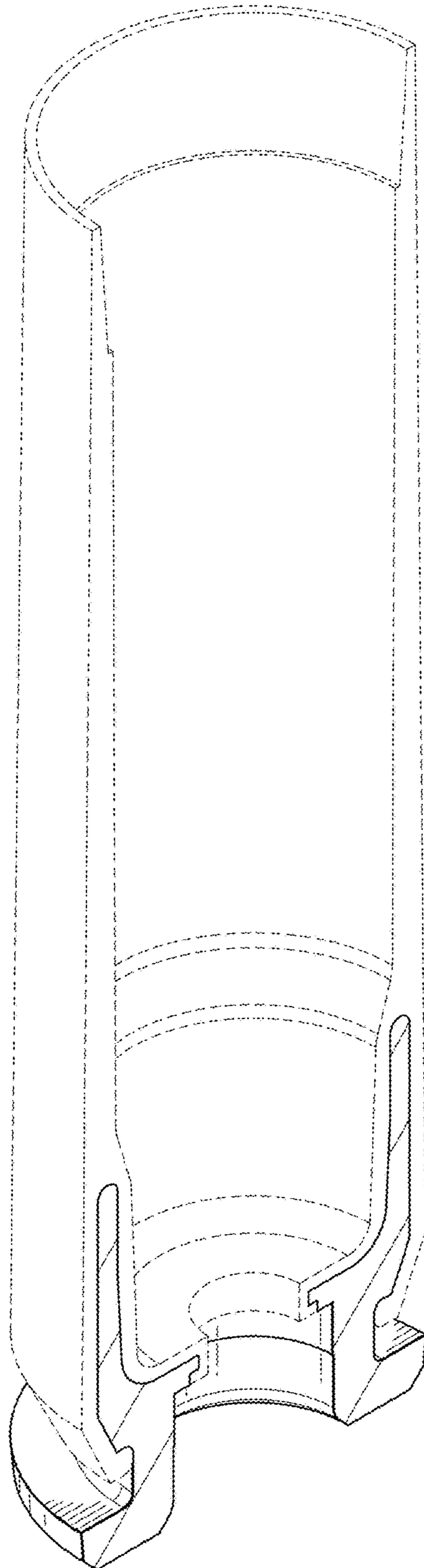


FIG. 7