



US00D849180S

(12) **United States Design Patent**
Cheng et al.

(10) **Patent No.:** **US D849,180 S**

(45) **Date of Patent:** **** May 21, 2019**

- (54) **MICRO REFLEX SIGHT**
- (71) Applicants: **Carson Cheng**, City of Industry, CA (US); **Michael Cheng**, City of Industry, CA (US); **Richard Thomas**, City of Industry, CA (US)
- (72) Inventors: **Carson Cheng**, City of Industry, CA (US); **Michael Cheng**, City of Industry, CA (US); **Richard Thomas**, City of Industry, CA (US)
- (73) Assignee: **NcSTAR, Inc.**, City of Industry, CA (US)

(**) Term: **15 Years**

(21) Appl. No.: **29/633,216**

(22) Filed: **Jan. 12, 2018**

(51) **LOC (11) Cl.** **22-01**

(52) **U.S. Cl.**
USPC **D22/109**

(58) **Field of Classification Search**
USPC D22/100, 108, 199
CPC F41G 1/30; F41G 1/45
See application file for complete search history.

(56) **References Cited**

U.S. PATENT DOCUMENTS

| | | | | |
|----------------|---------|----------|-------|-----------|
| D378,936 S * | 4/1997 | DePaoli | | D22/109 |
| D631,935 S * | 2/2011 | Daniel | | D22/109 |
| D648,413 S * | 11/2011 | Mayberry | | D22/109 |
| D662,566 S * | 6/2012 | Estes | | D22/109 |
| D704,296 S * | 5/2014 | Cheng | | D22/109 |
| D720,034 S * | 12/2014 | Cheng | | D22/109 |
| D730,477 S * | 5/2015 | Huynh | | D22/109 |
| D747,431 S * | 1/2016 | Cheng | | D22/109 |
| 9,243,868 B1 * | 1/2016 | Nigro | | F41G 1/30 |
| D784,480 S * | 4/2017 | Oz | | D22/109 |

| | | | | |
|-------------------|---------|--------------|-------|----------------------|
| D819,160 S * | 5/2018 | Hamilton | | D22/109 |
| D823,971 S * | 7/2018 | Houde-Walter | | F41G 1/35 D22/108 |
| 10,139,197 B1 * | 11/2018 | Horton | | F41G 1/065 |
| D837,927 S * | 1/2019 | Trulsson | | D22/109 |
| 10,175,029 B2 * | 1/2019 | Teetzel | | F41G 1/30 |
| 2007/0130817 A1 * | 6/2007 | Ballard | | F41G 1/01 42/118 |
| 2008/0216379 A1 * | 9/2008 | Javorsky | | F41G 1/12 42/115 |
| 2013/0263491 A1 * | 10/2013 | Jung | | F41G 1/30 42/113 |
| 2014/0096431 A1 * | 4/2014 | Tang | | F41G 1/30 42/132 |
| 2014/0305022 A1 * | 10/2014 | Chung | | F41G 1/16 42/113 |
| 2016/0102943 A1 * | 4/2016 | Teetzel | | F41G 1/35 42/113 |

(Continued)

Primary Examiner — Karen S Acker
Assistant Examiner — Steven B Reinholdt, Jr.

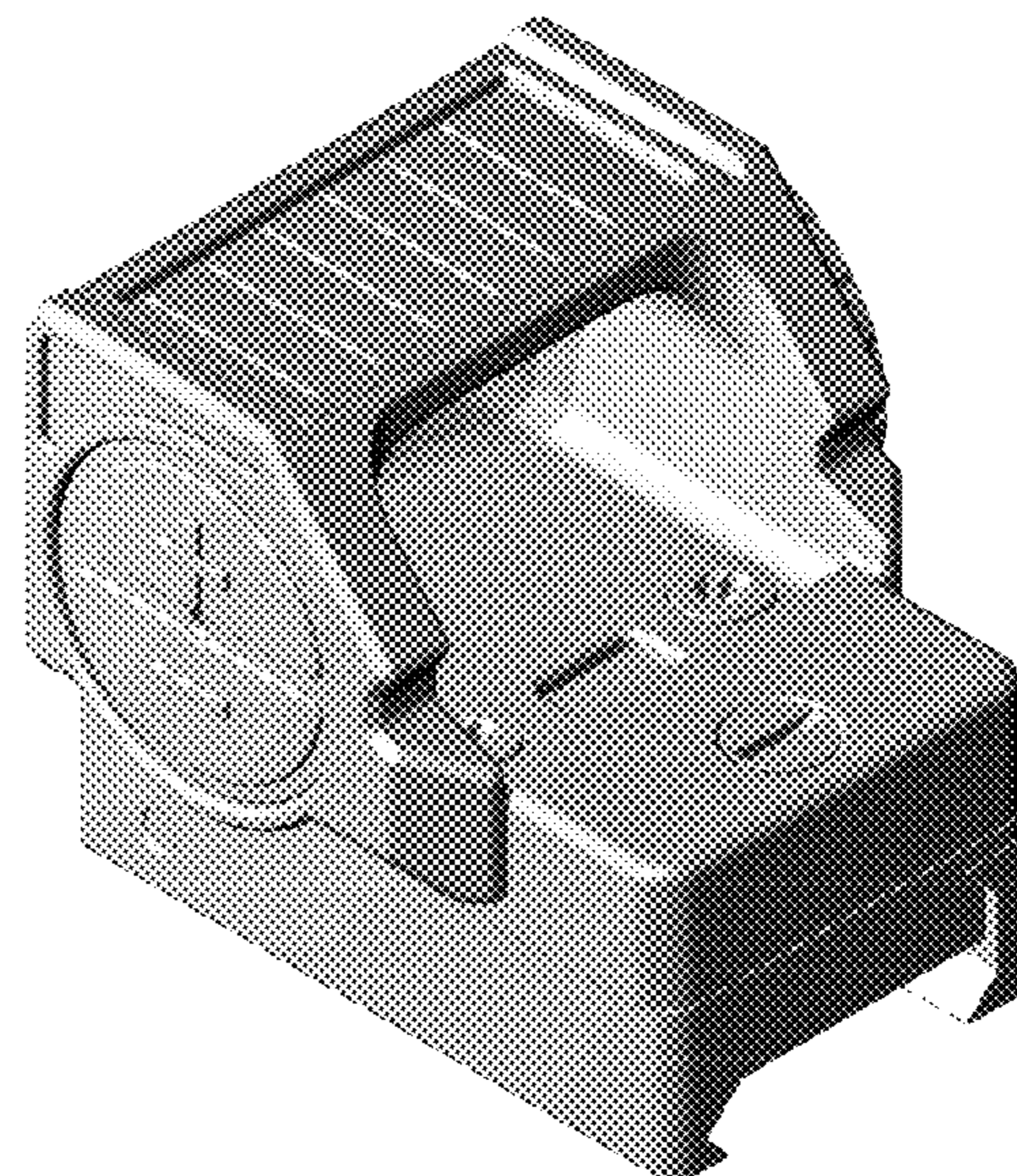
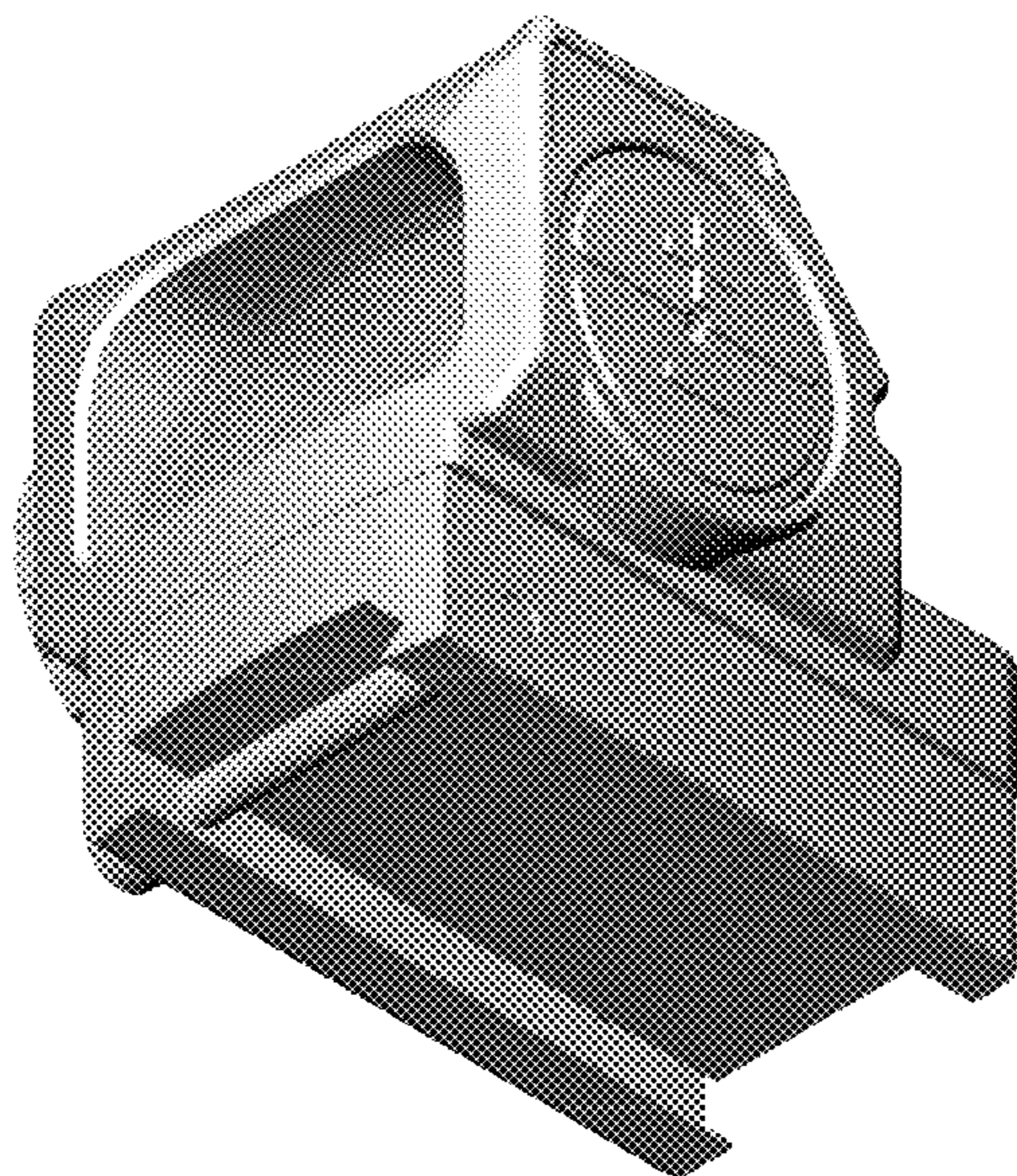
(57) **CLAIM**

The ornamental design for a micro reflex sight, as shown and described.

DESCRIPTION

FIG. 1 is a front view of the micro reflex sight of our new design;
 FIG. 2 is a rear view thereof;
 FIG. 3 is a left view thereof;
 FIG. 4 is a right view thereof;
 FIG. 5 is a top view thereof;
 FIG. 6 is a bottom view thereof;
 FIG. 7 is a top left perspective view thereof;
 FIG. 8 is a bottom, left and front perspective view thereof;
 FIG. 9 is a top, right and front perspective view thereof; and,
 FIG. 10 is a bottom, right and front perspective view thereof.

1 Claim, 7 Drawing Sheets



(56)

References Cited

U.S. PATENT DOCUMENTS

2017/0205194 A1* 7/2017 Teetzel F41G 1/01
2018/0292168 A1* 10/2018 Borrigo F41G 1/30

* cited by examiner

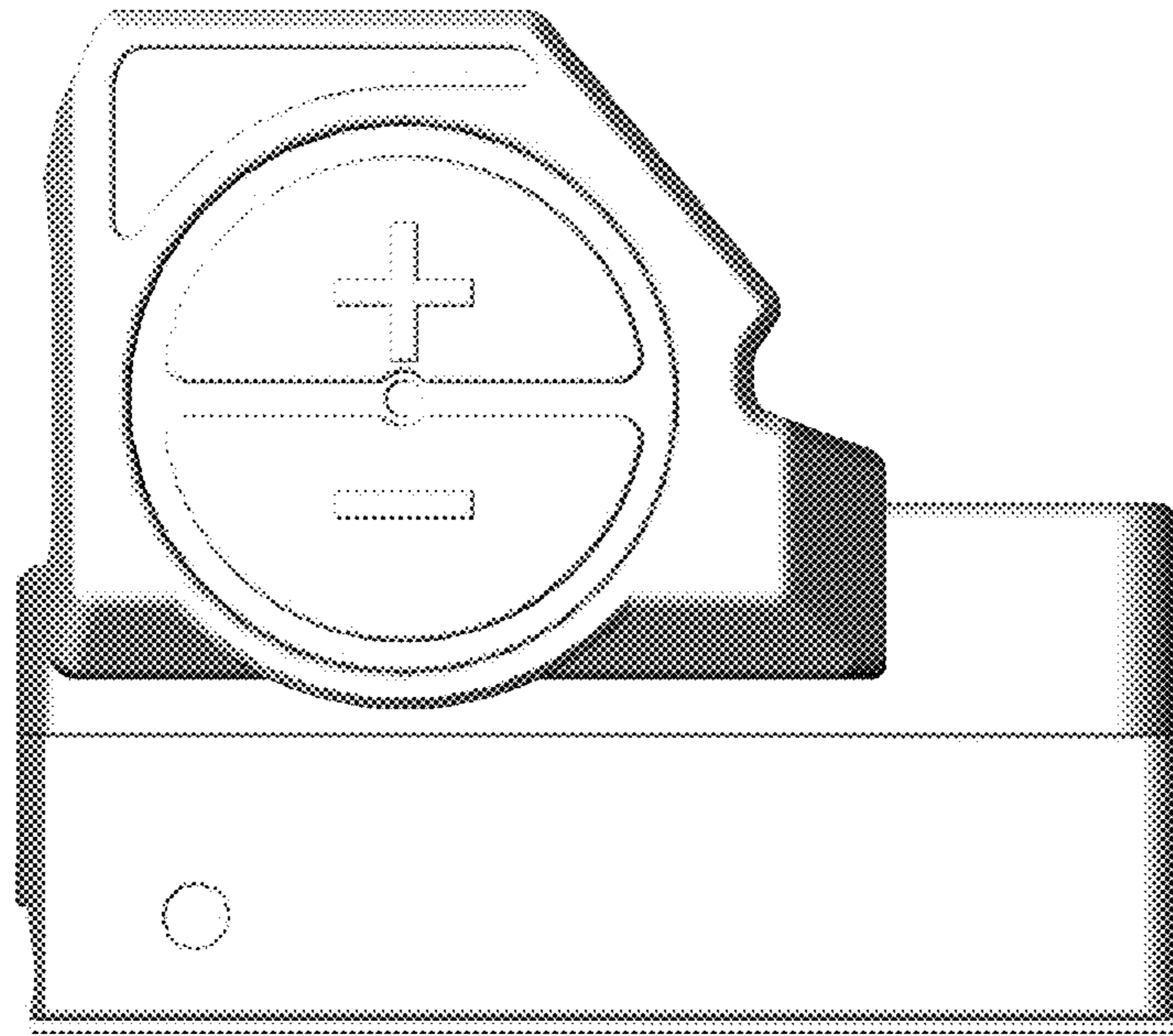


FIG. 1

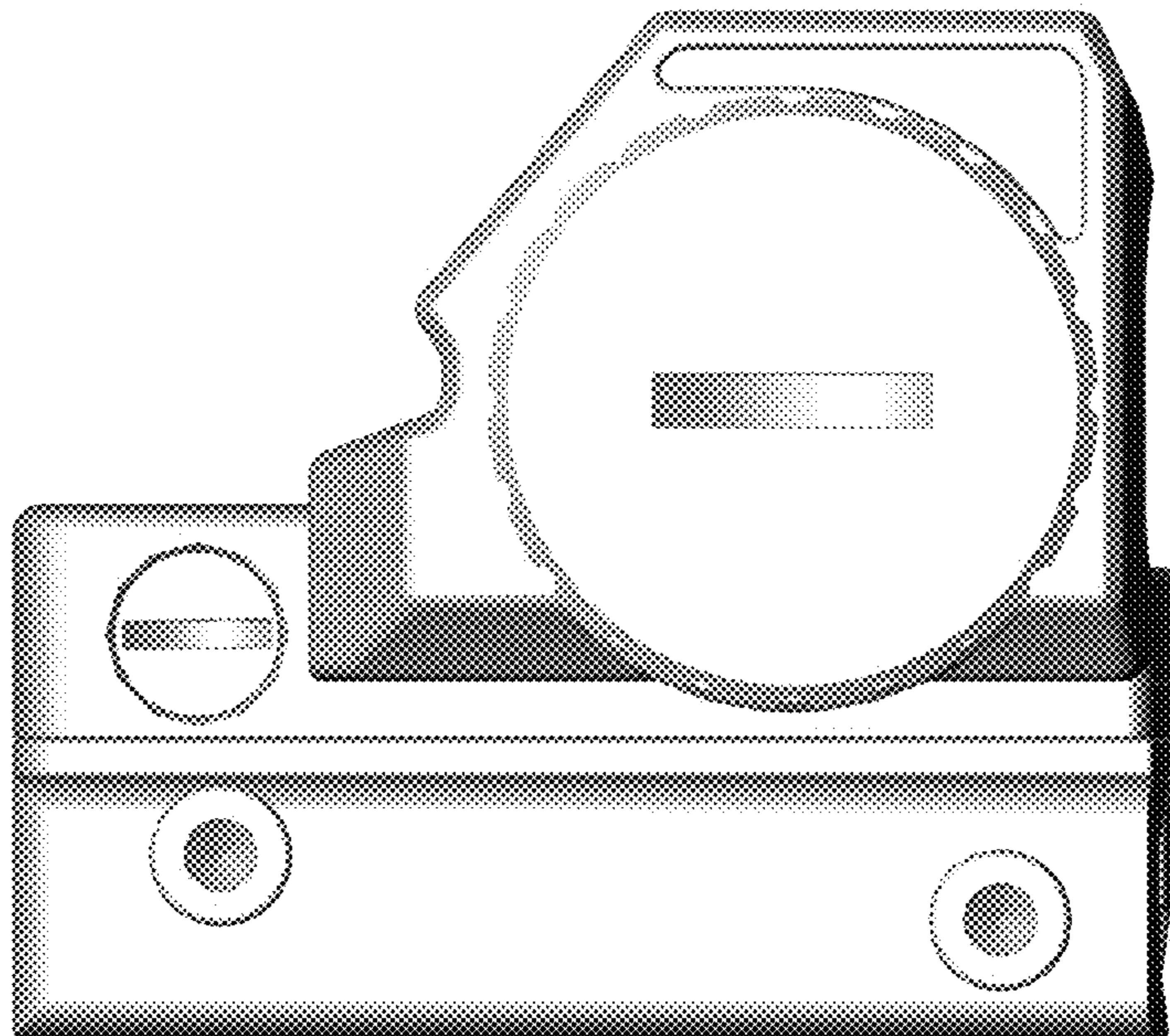


FIG. 2

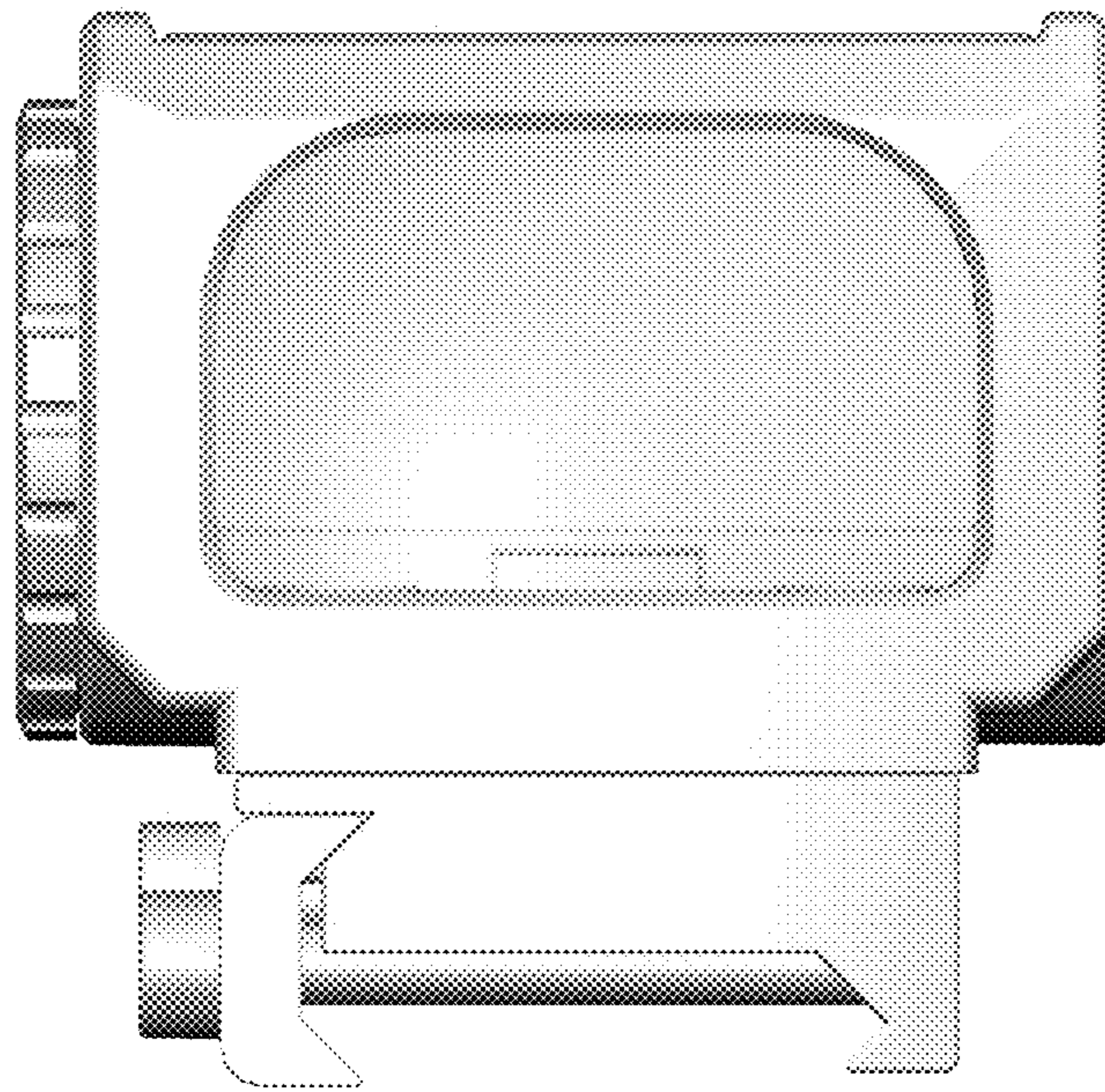


FIG. 3

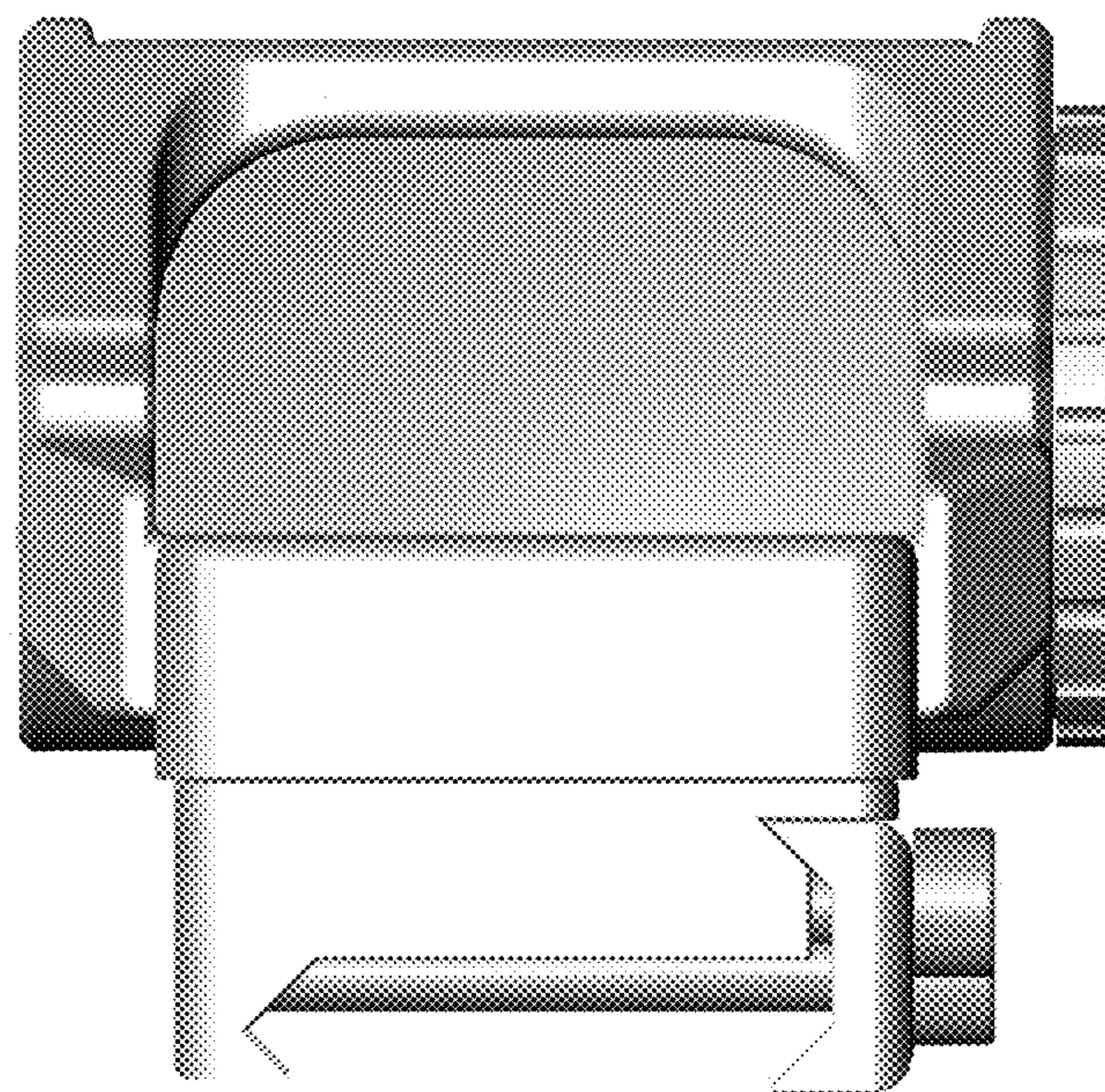


FIG. 4

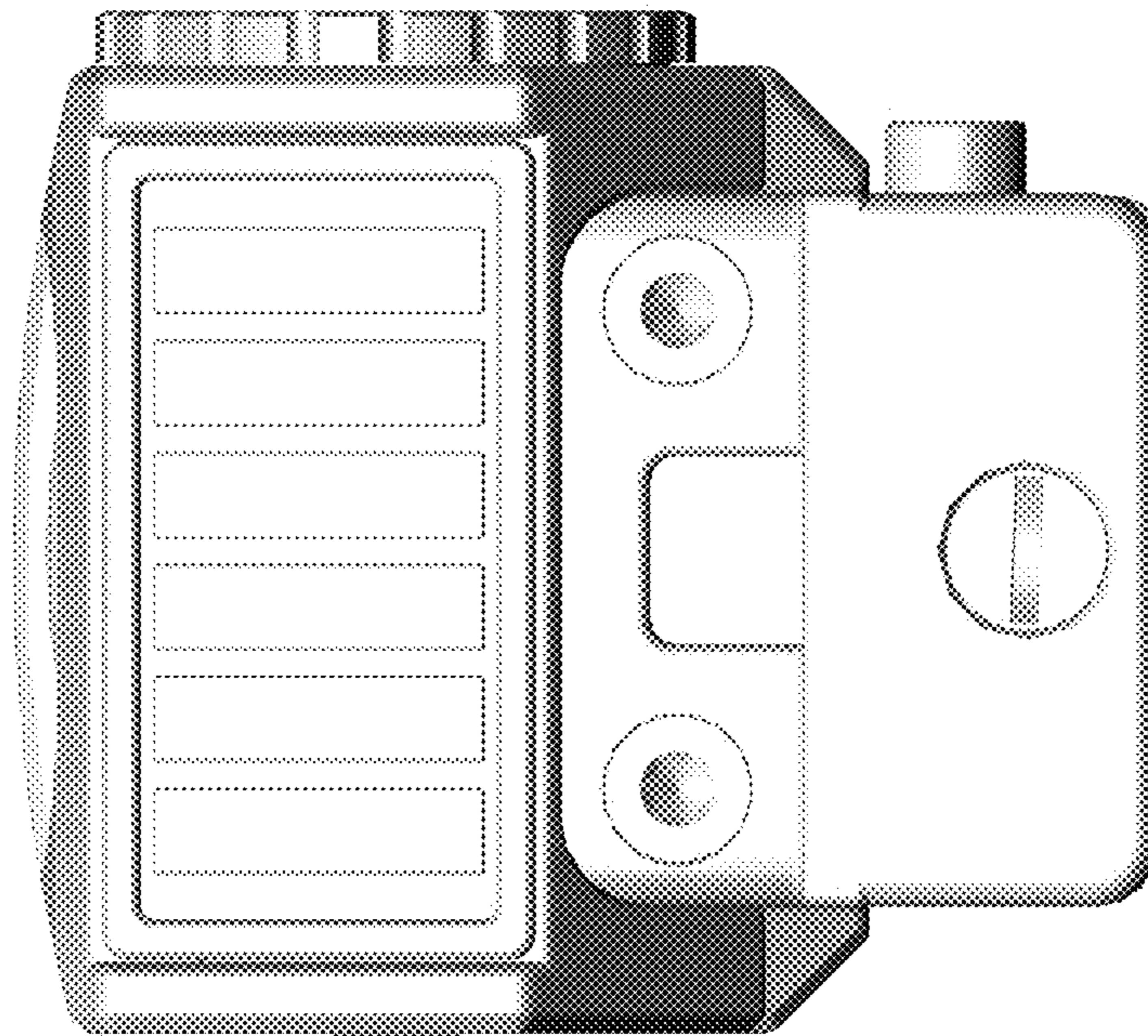


FIG. 5

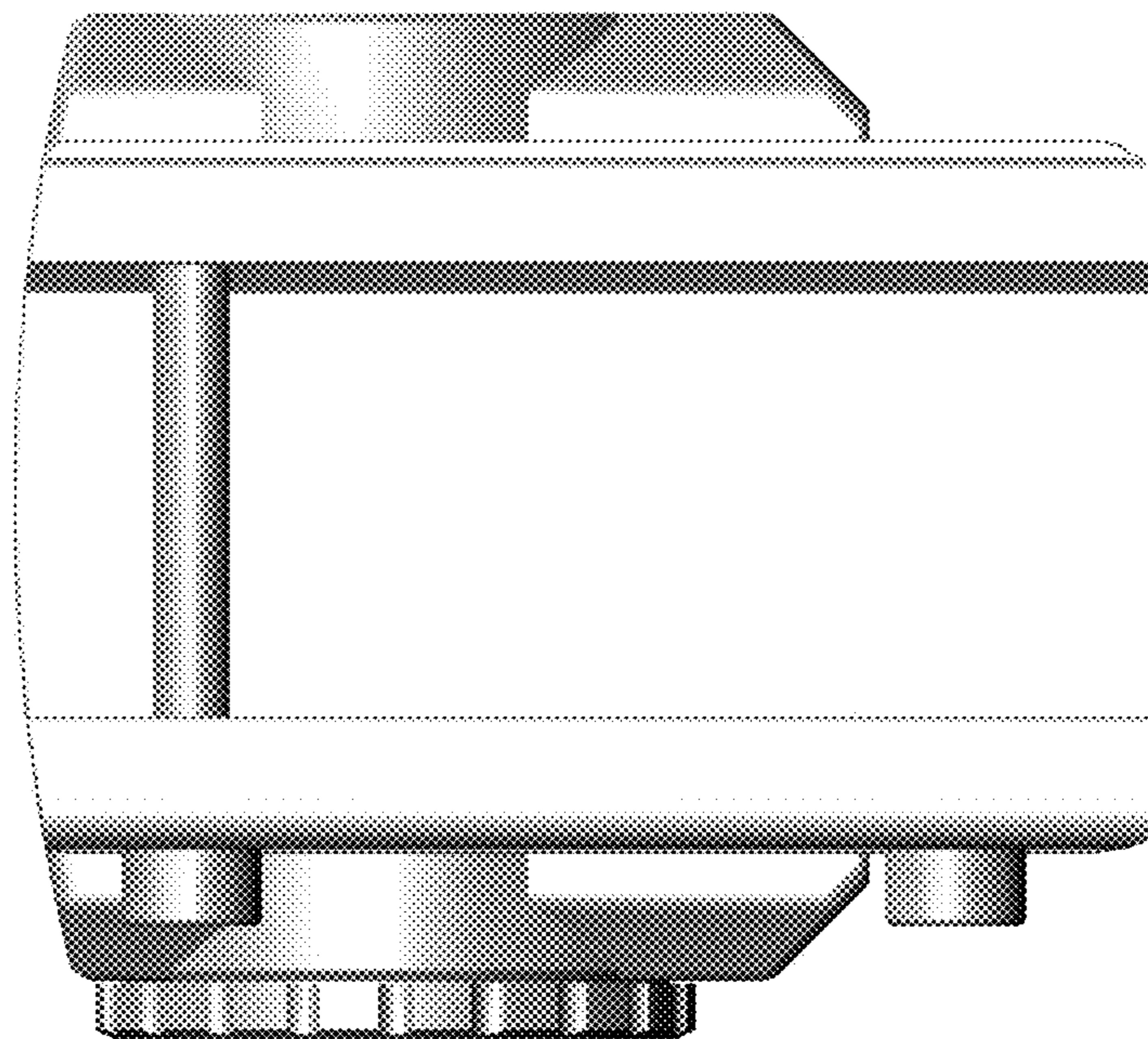


FIG. 6

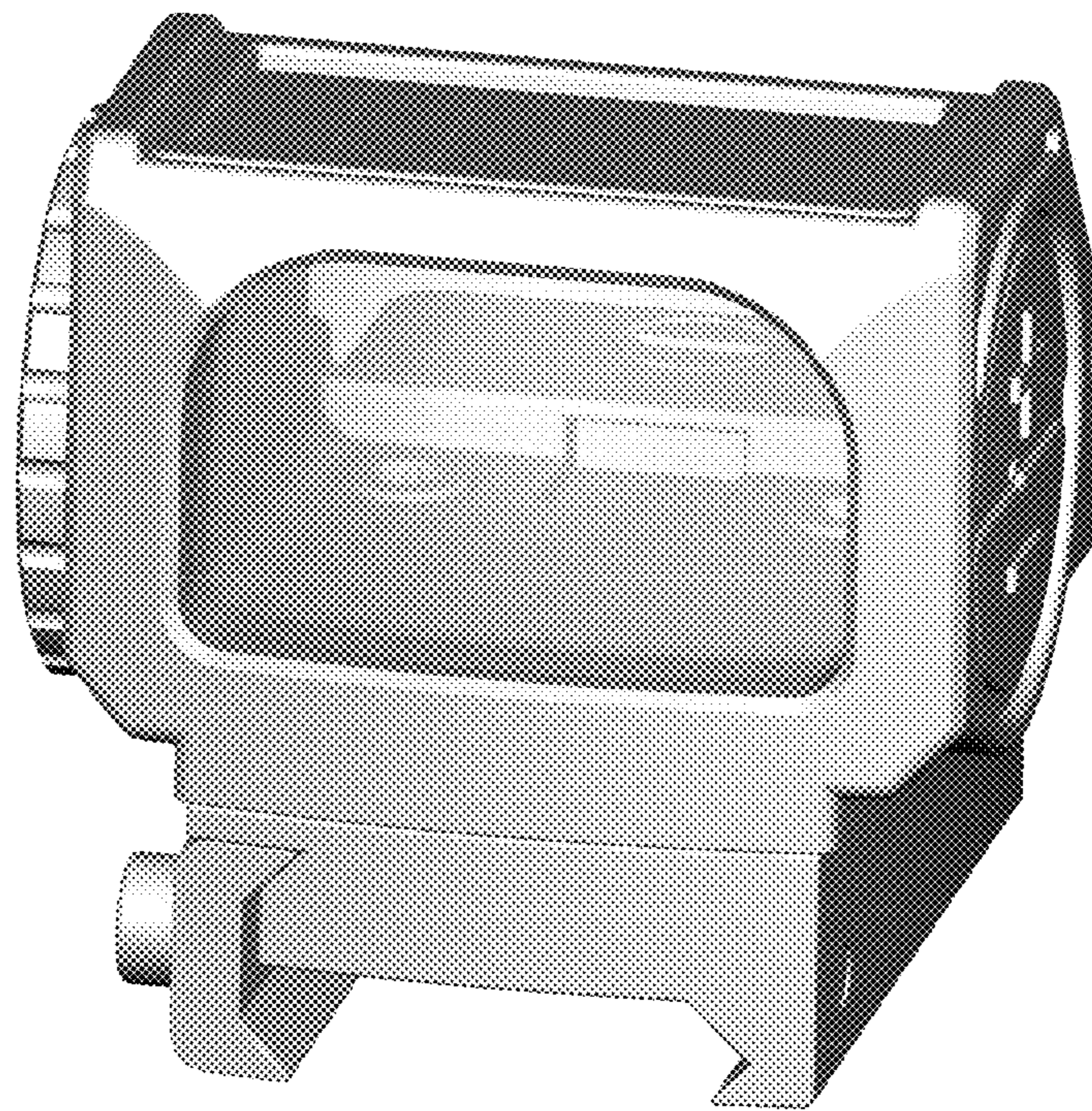


FIG. 7

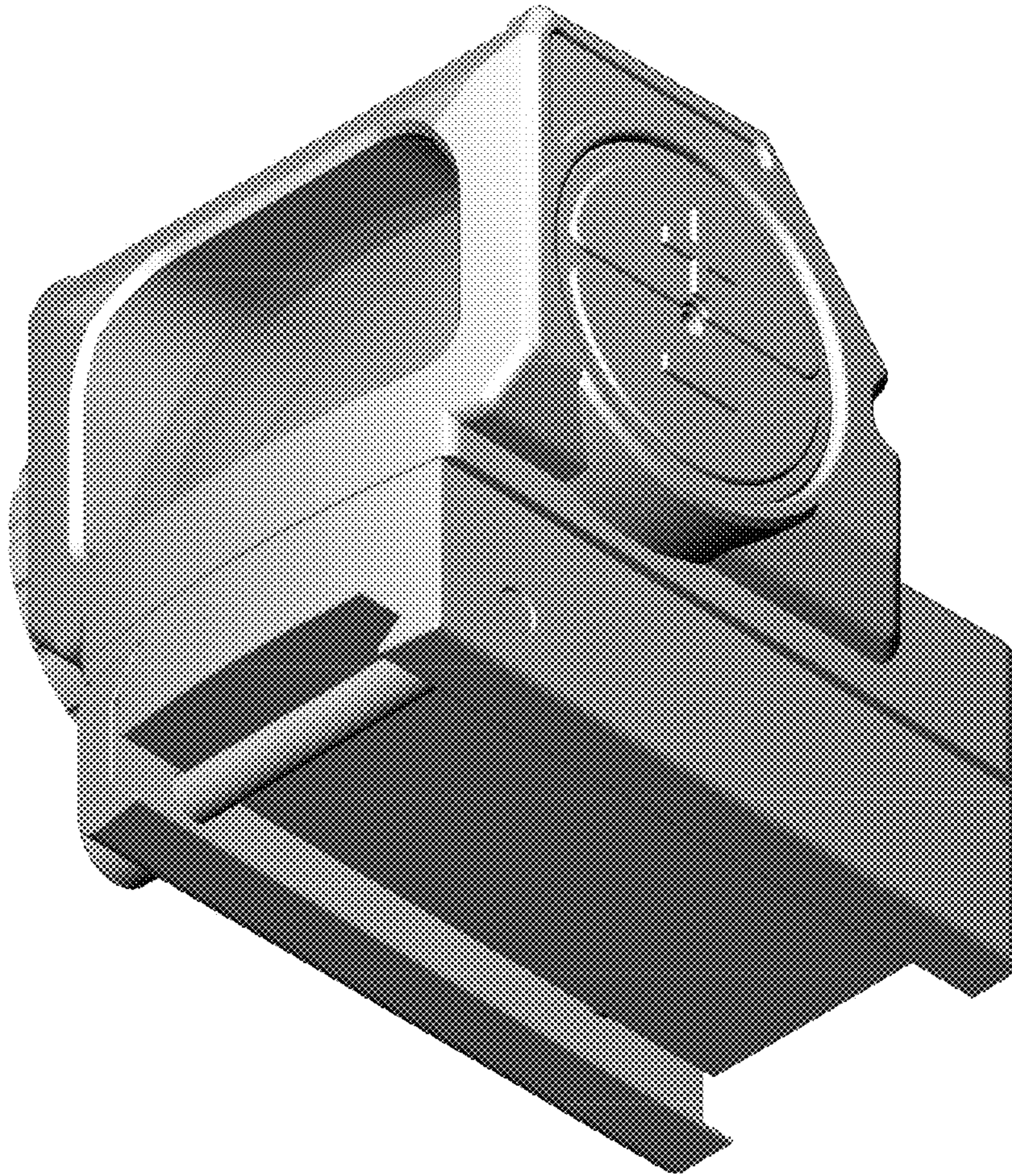


FIG. 8

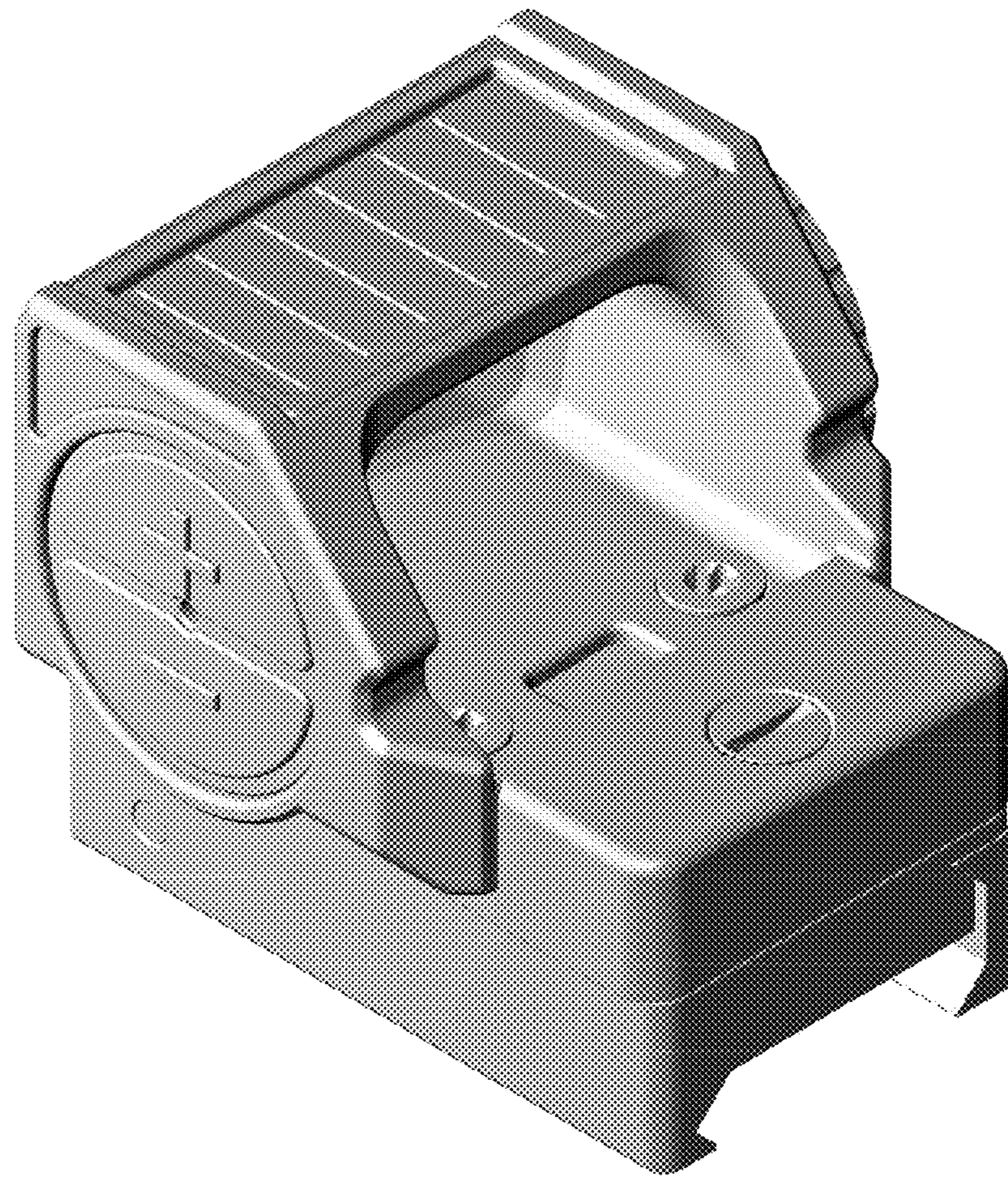


FIG. 9

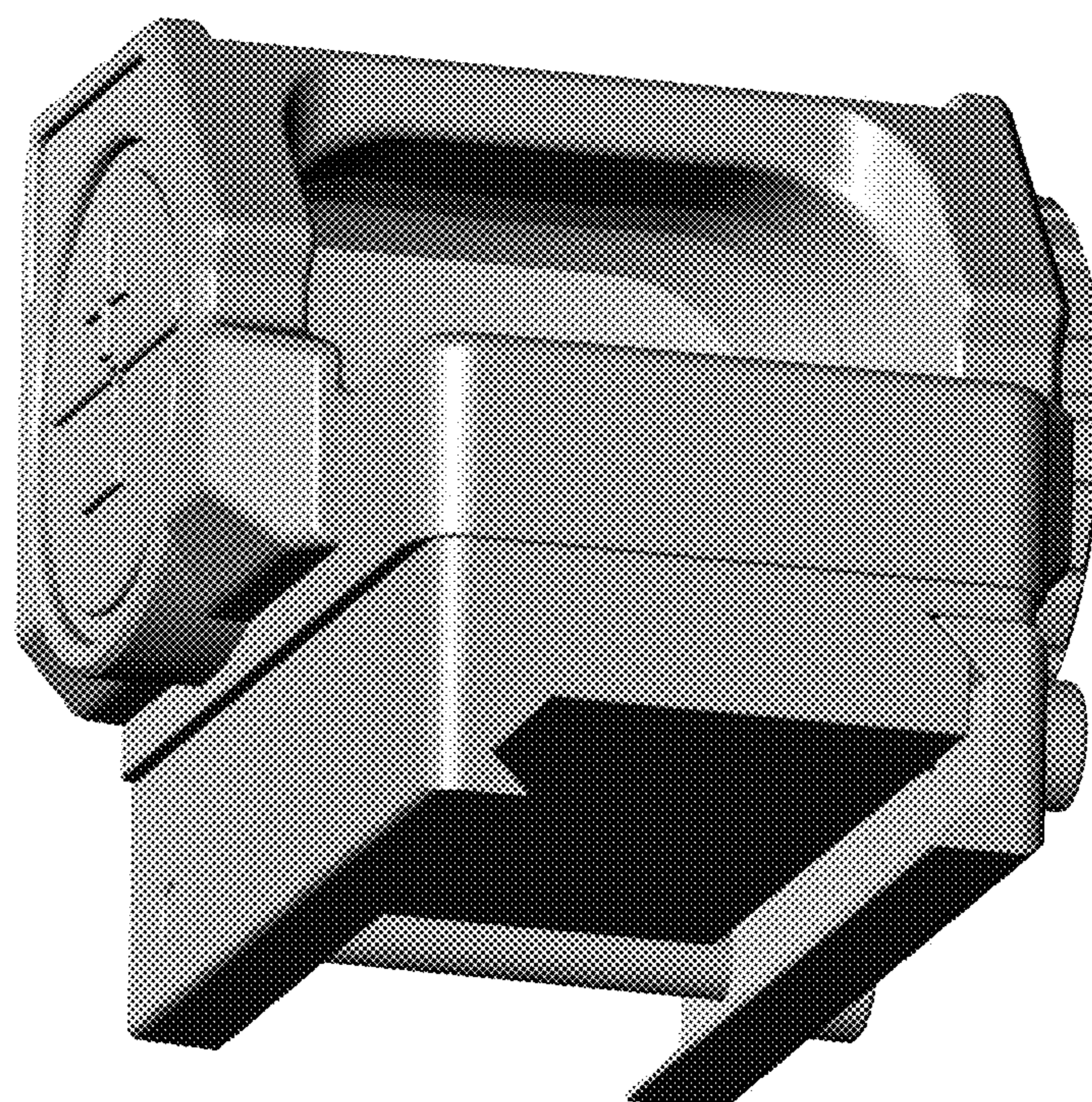


FIG. 10