



US00D849179S

(12) **United States Design Patent**
Staes

(10) **Patent No.:** **US D849,179 S**

(45) **Date of Patent:** **** May 21, 2019**

(54) **MAGNETIC WEAPON MOUNT**

(71) Applicant: **Rhand International Ltd.**, Sofia (BG)

(72) Inventor: **Bram Staes**, Sofia (BG)

(73) Assignee: **Rhand International Ltd.**, Sofia (BG)

(**) Term: **15 Years**

(21) Appl. No.: **29/630,712**

(22) Filed: **Dec. 22, 2017**

(51) **LOC (11) Cl.** **22-01**

(52) **U.S. Cl.**
USPC **D22/109**

(58) **Field of Classification Search**
USPC D22/108, 109, 199; D8/349, 354, 387;
D14/258
CPC A47B 95/043; A47B 95/00; A47C 7/004;
B65D 85/00; B65D 85/48; B65D 81/056;
B65D 2581/053; B65D 81/05; E04F
13/06;

(Continued)

(56) **References Cited**

U.S. PATENT DOCUMENTS

D294,258 S * 2/1988 Sprague D12/223
D294,353 S * 2/1988 Sprague D12/415

(Continued)

OTHER PUBLICATIONS

YouTube—Jack Pollner, Publication date Jul. 24, 2018, [Site visited Jan. 11, 2019], Available on the Internet URL <https://www.youtube.com/watch?v=RxBv-TpzK08>.*

(Continued)

Primary Examiner — Karen S Acker

Assistant Examiner — Steven B Reinholdt, Jr.

(74) *Attorney, Agent, or Firm* — Platinum Intellectual Property LLP

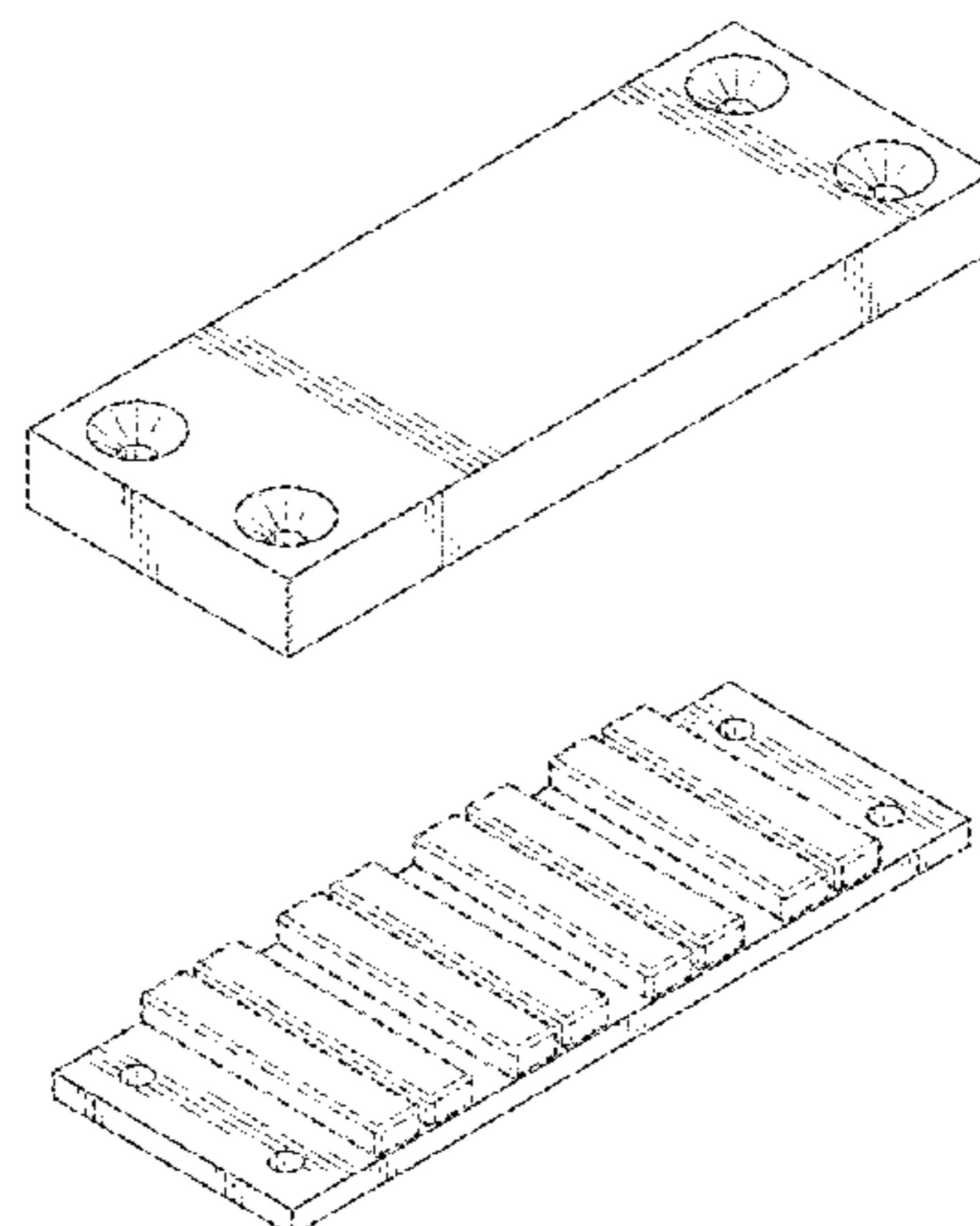
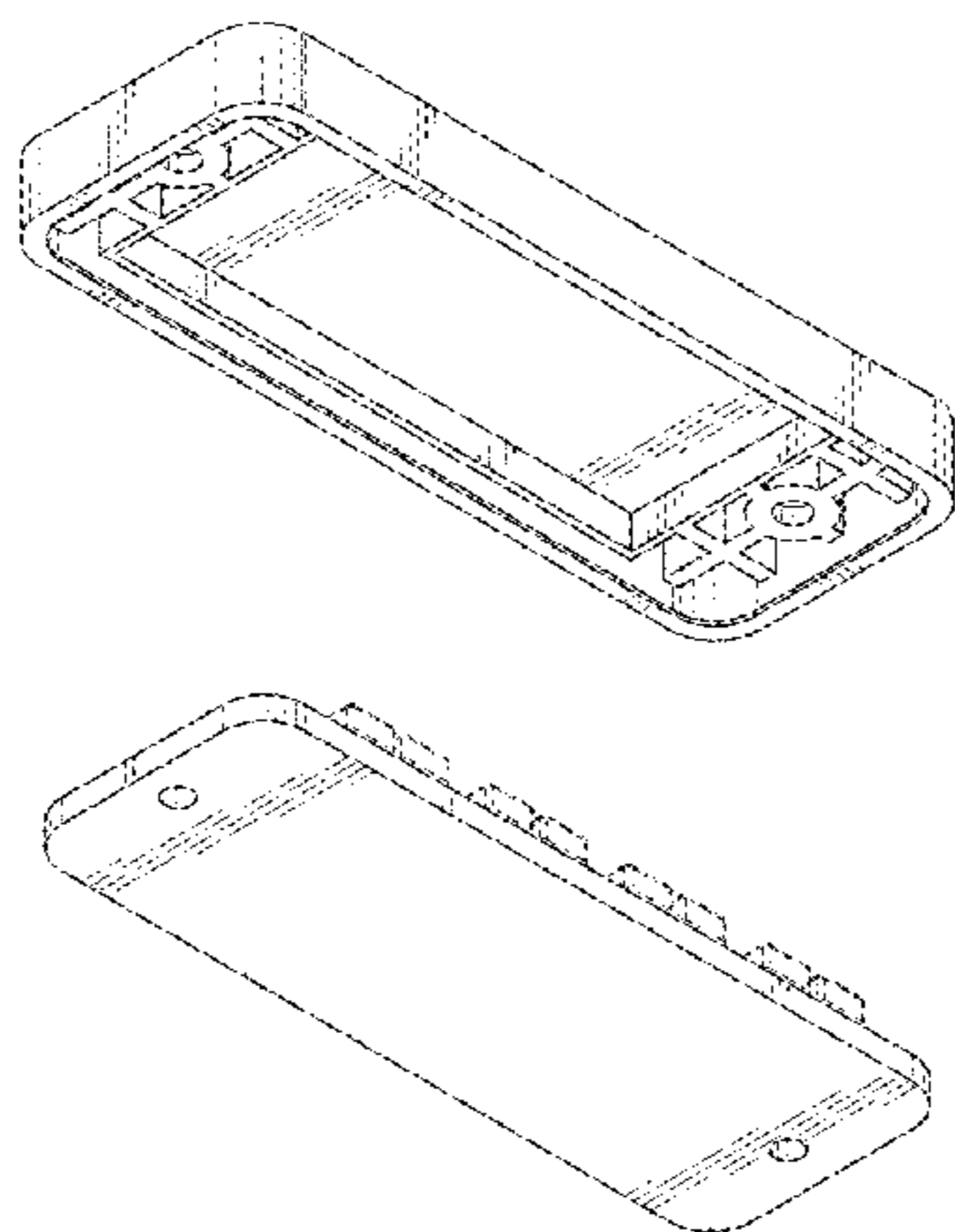
(57) **CLAIM**

The ornamental design for a magnetic weapon mount, as shown and described.

DESCRIPTION

FIG. 1 is a top perspective view of a magnetic weapon mount according to one embodiment of the claimed design; FIG. 2 is a bottom perspective view thereof; FIG. 3 is a top plan view thereof; FIG. 4 is a bottom plan view thereof; FIG. 5 is a first-side elevational view thereof; FIG. 6 is a second-side elevational view thereof; FIG. 7 is an exploded top perspective view thereof illustrating the top and bottom parts separated; FIG. 8 is a bottom perspective view thereof; FIG. 9 is a top perspective view of a magnetic weapon mount according to a second embodiment of the claimed design; FIG. 10 is a bottom perspective view thereof; FIG. 11 is a top plan view thereof; FIG. 12 is a bottom plan view thereof; FIG. 13 is a first-side elevational view thereof; FIG. 14 is a second-side elevational view thereof; FIG. 15 an exploded top perspective view thereof illustrating the top and bottom parts separated; FIG. 16 is a bottom perspective view thereof; FIG. 17 is a top perspective view of a magnetic weapon mount according to a third embodiment of the claimed design; FIG. 18 is a bottom perspective view thereof; FIG. 19 is a top plan view thereof; FIG. 20 is a bottom plan view thereof; FIG. 21 is a first-side elevational view thereof; FIG. 22 is a second-side elevational view thereof; FIG. 23 is an exploded top perspective view thereof illustrating the top and bottom parts separated; and, FIG. 24 is a bottom perspective view thereof. The broken lines in the drawings depict environmental objects that form no part of the claimed design.

1 Claim, 15 Drawing Sheets



(58) **Field of Classification Search**
 CPC . E04F 19/0436; E04F 19/0495; E04H 15/32;
 F16B 45/00
 See application file for complete search history.

(56) **References Cited**

U.S. PATENT DOCUMENTS

D356,729	S	*	3/1995	Kassouni	D8/387
D396,403	S	*	7/1998	Whittaker	D8/354
D434,509	S	*	11/2000	Oliver	D25/199
D542,628	S	*	5/2007	Brassard	D8/354
D553,952	S	*	10/2007	Garrick	D8/349
D559,083	S	*	1/2008	Brassard	D8/354
D696,096	S	*	12/2013	Daneman	D8/349
8,602,216	B1	*	12/2013	Lin	B65D 85/00 206/464
D697,576	S	*	1/2014	Swan	D22/109
D718,833	S	*	12/2014	Huang	D22/108
D732,360	S	*	6/2015	Reeder	D10/64
D734,127	S	*	7/2015	Harman	D8/349
D741,690	S	*	10/2015	Collins, IV	D8/354
D746,124	S	*	12/2015	Toye	D8/349

D756,199	S	*	5/2016	Carrubba	D8/354
D774,873	S	*	12/2016	Aller	D8/349
D777,841	S	*	1/2017	Kott	D20/43
D811,511	S	*	2/2018	Jenkinson	D22/108
D811,512	S	*	2/2018	Jenkinson	D22/108
D825,316	S	*	8/2018	Verbowski	D8/354
D832,970	S	*	11/2018	Jen	D22/108
D837,331	S	*	1/2019	Garner	D22/108
2014/0008256	A1	*	1/2014	Chen	B65D 85/48 206/454
2017/0190159	A1	*	7/2017	Crooks	B32B 3/26

OTHER PUBLICATIONS

YouTube—Peter von Panda, Publication date Jul. 2, 2018, [Site visited Jan. 11, 2019], Available on the Internet URL <https://www.youtube.com/watch?v=MW6ky5TqR8o>.*

Amazon.com, Military-Grade Gun Magnet 2-Pack, Earliest https://www.amazon.com/Military-Grade-Magnetic-Handgun-Shotgun-Surface/dp/B07497YBF2/ref=cm_cr_arp_d_product_top?ie=UTF8.*

* cited by examiner

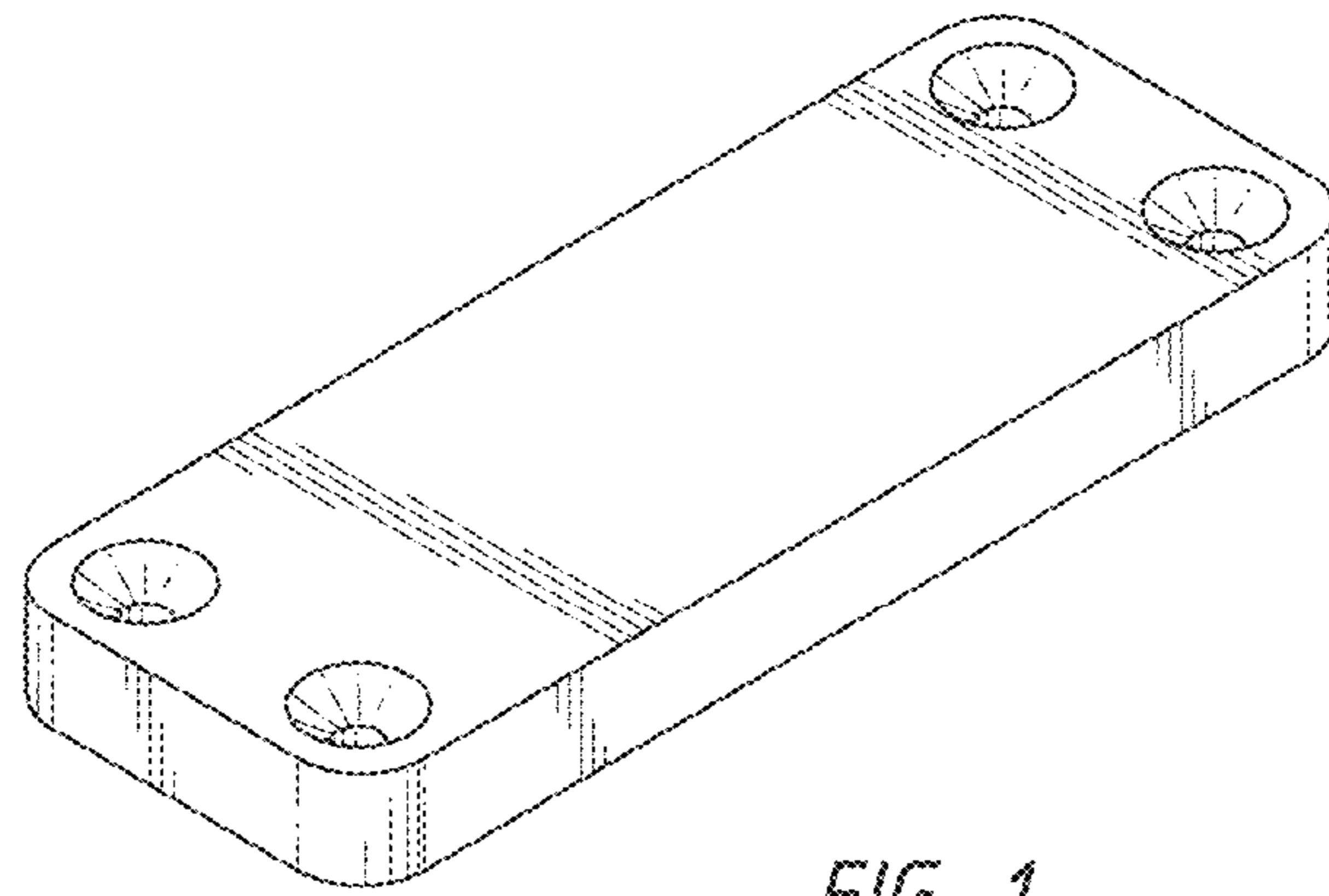


FIG. 1

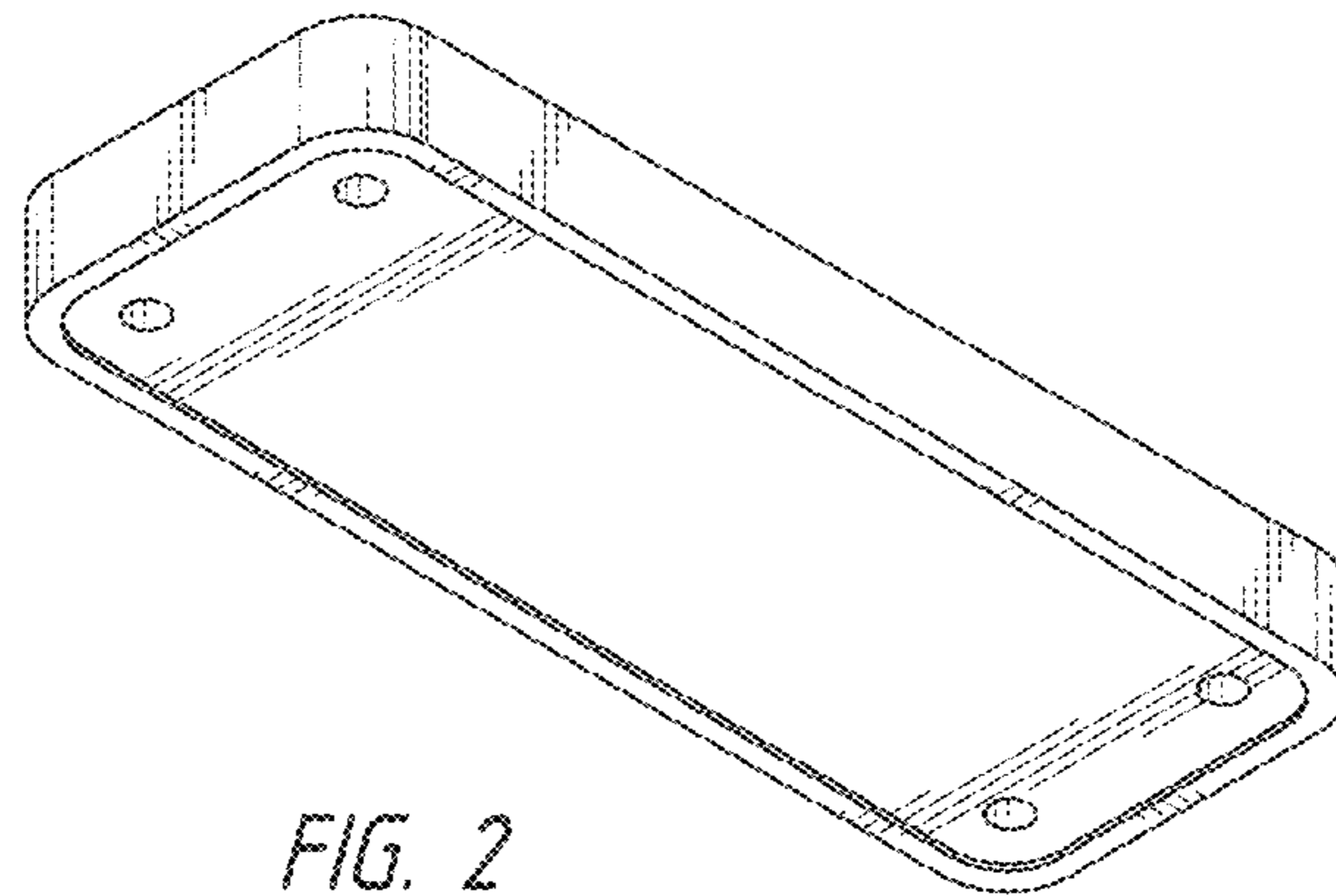


FIG. 2



FIG. 3

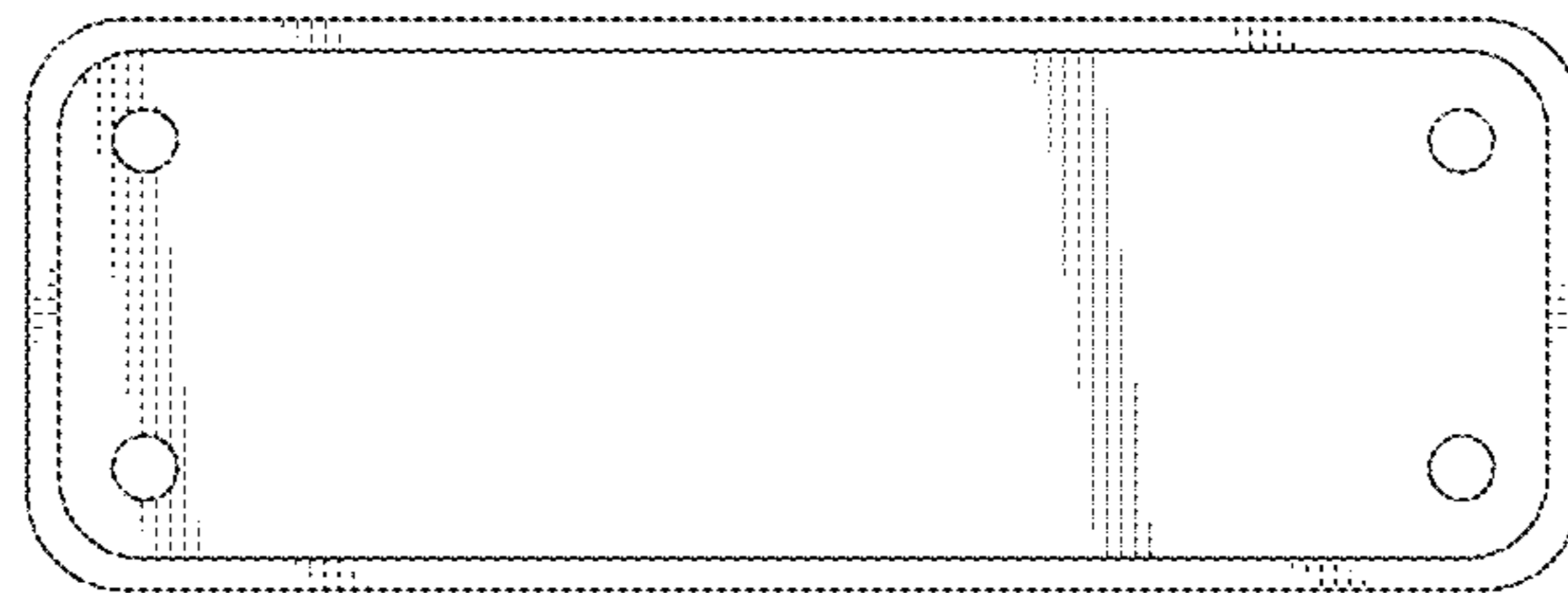


FIG. 4

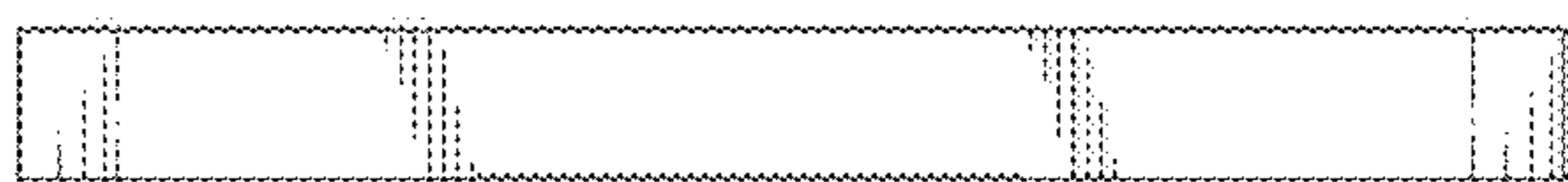


FIG. 5

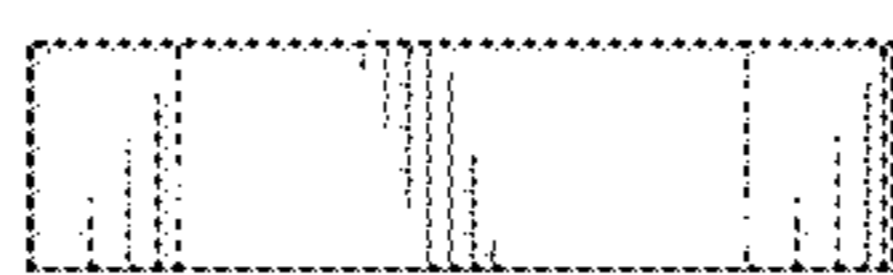


FIG. 6

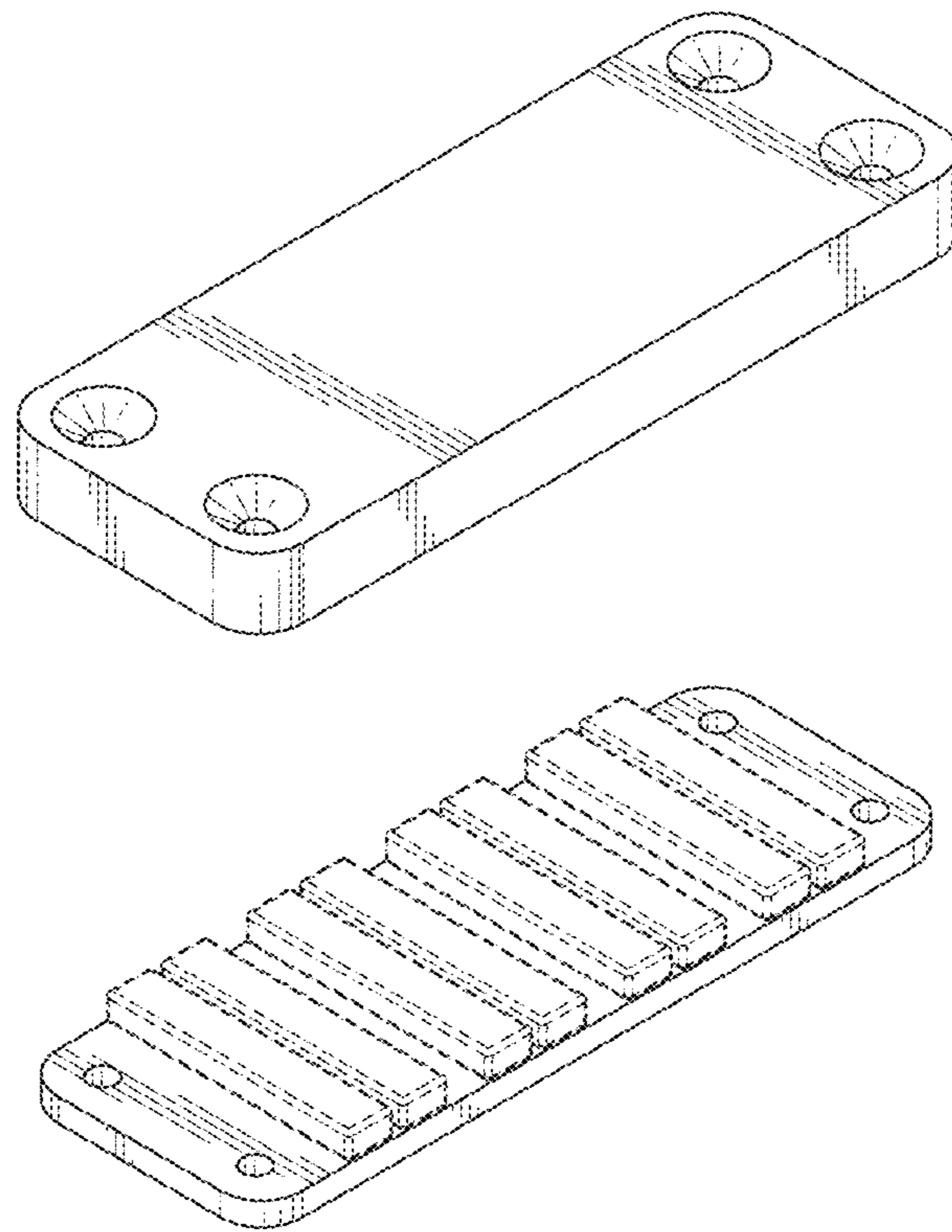


FIG. 7

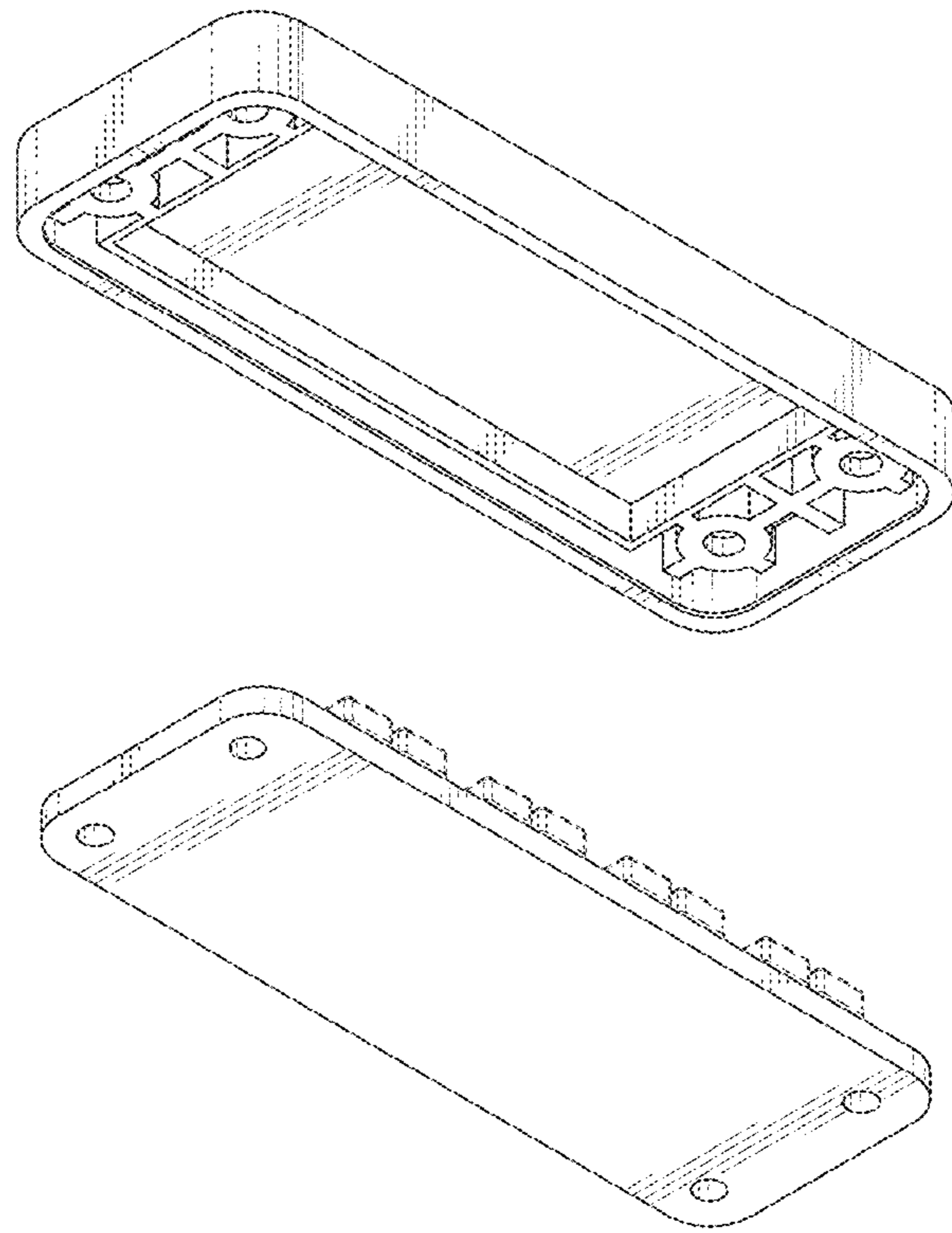


FIG. 8

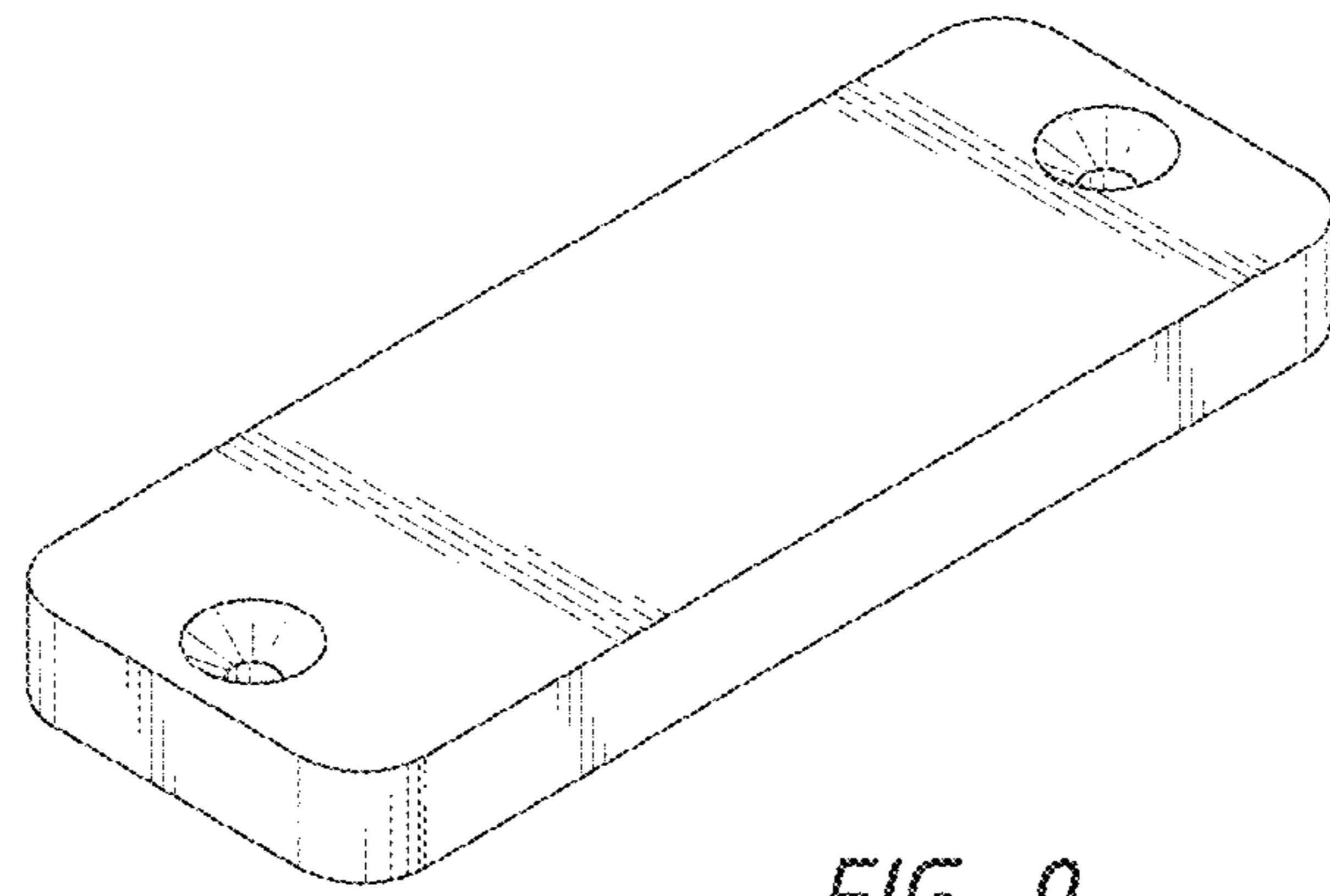


FIG. 9

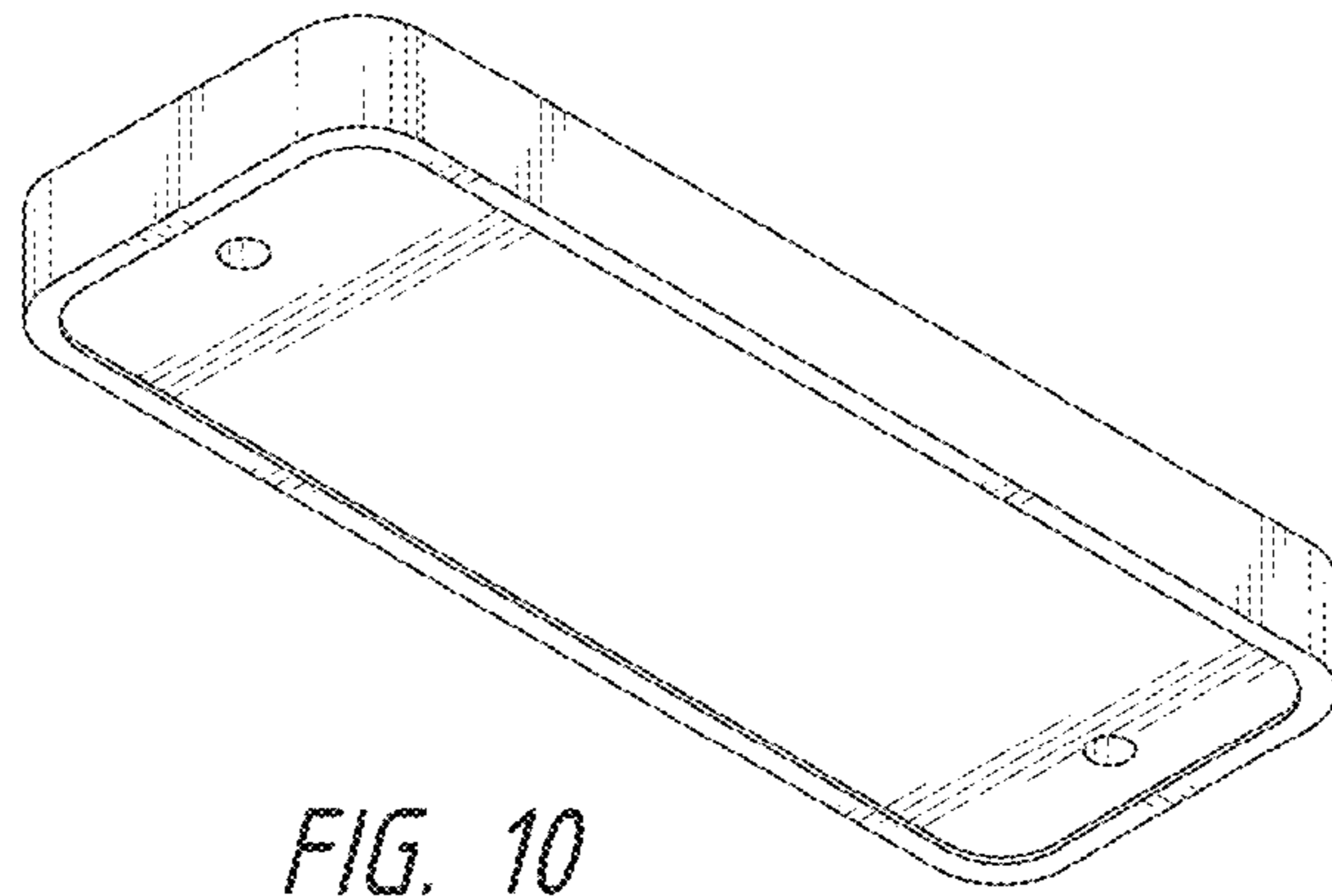


FIG. 10

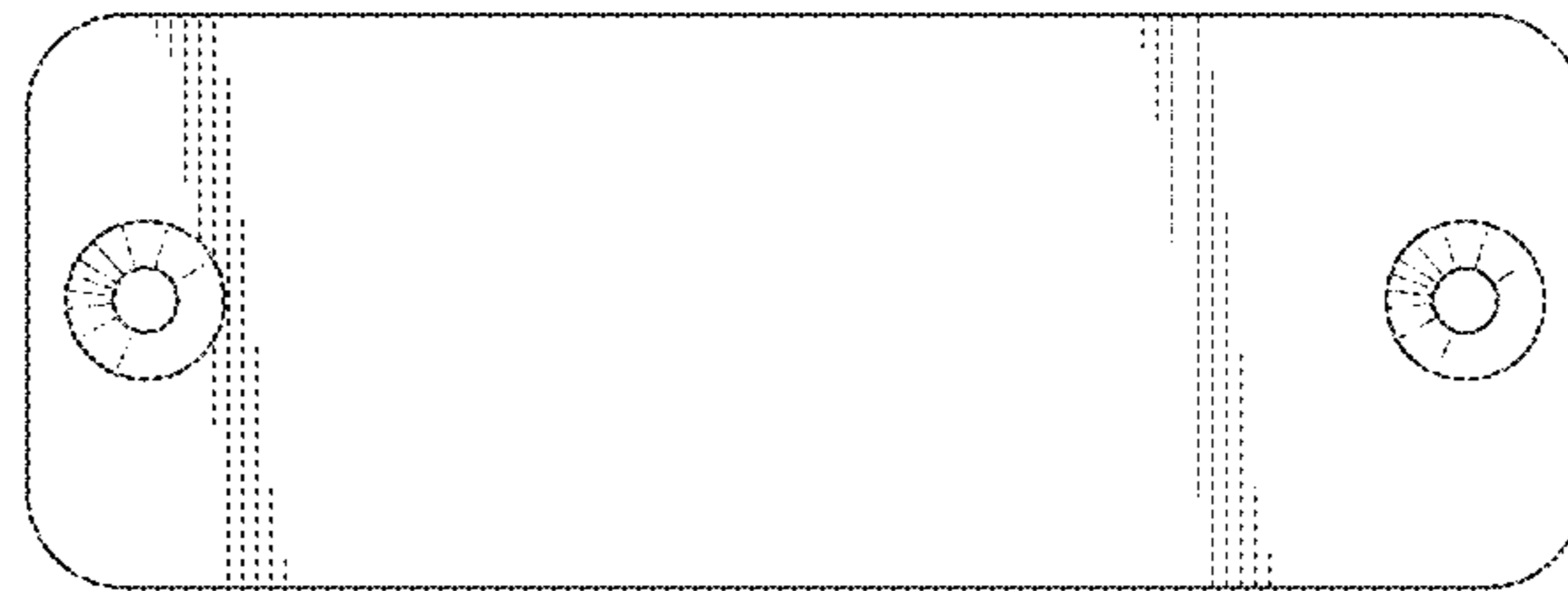


FIG. 11

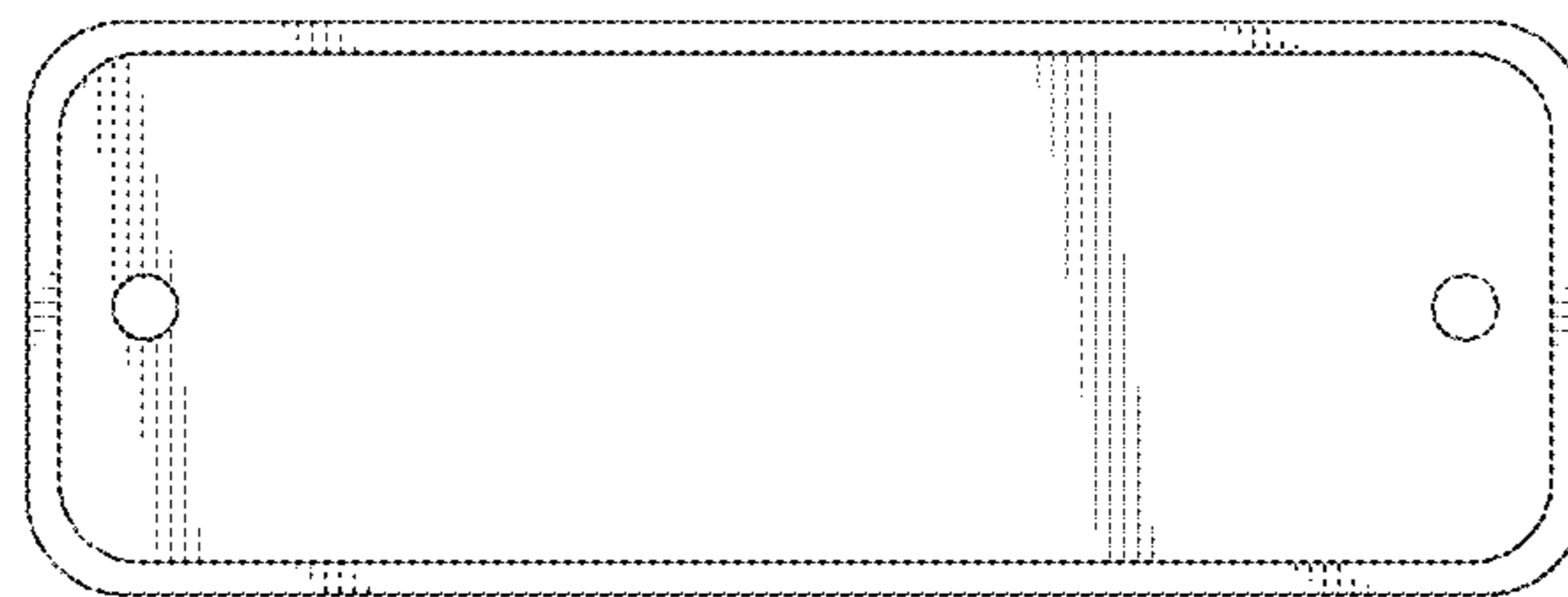


FIG. 12



FIG. 13

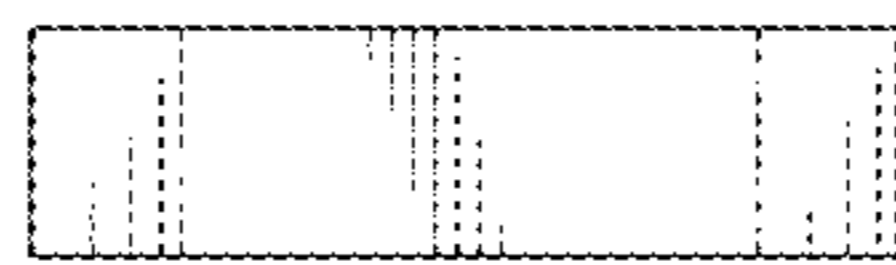


FIG. 14

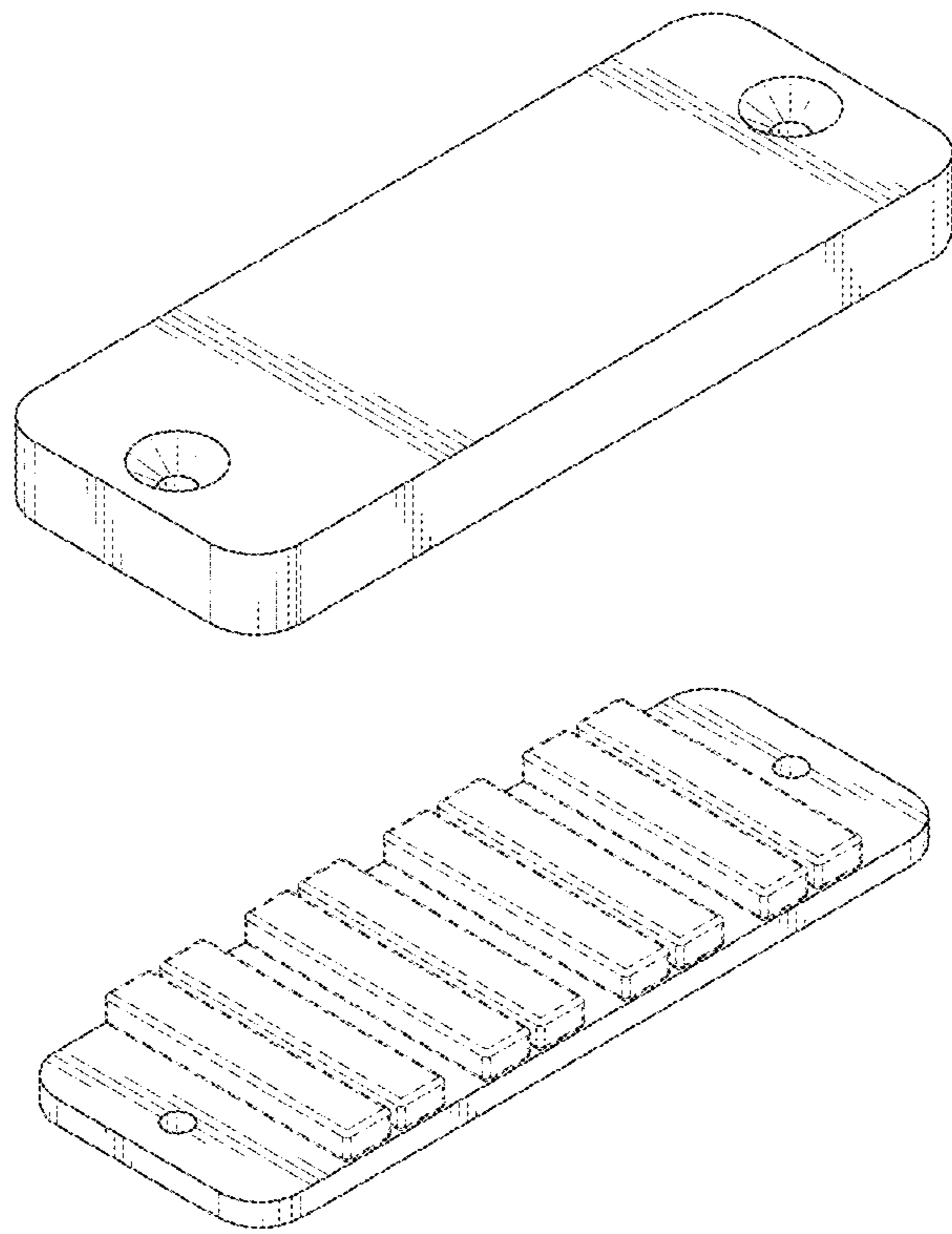


FIG. 15

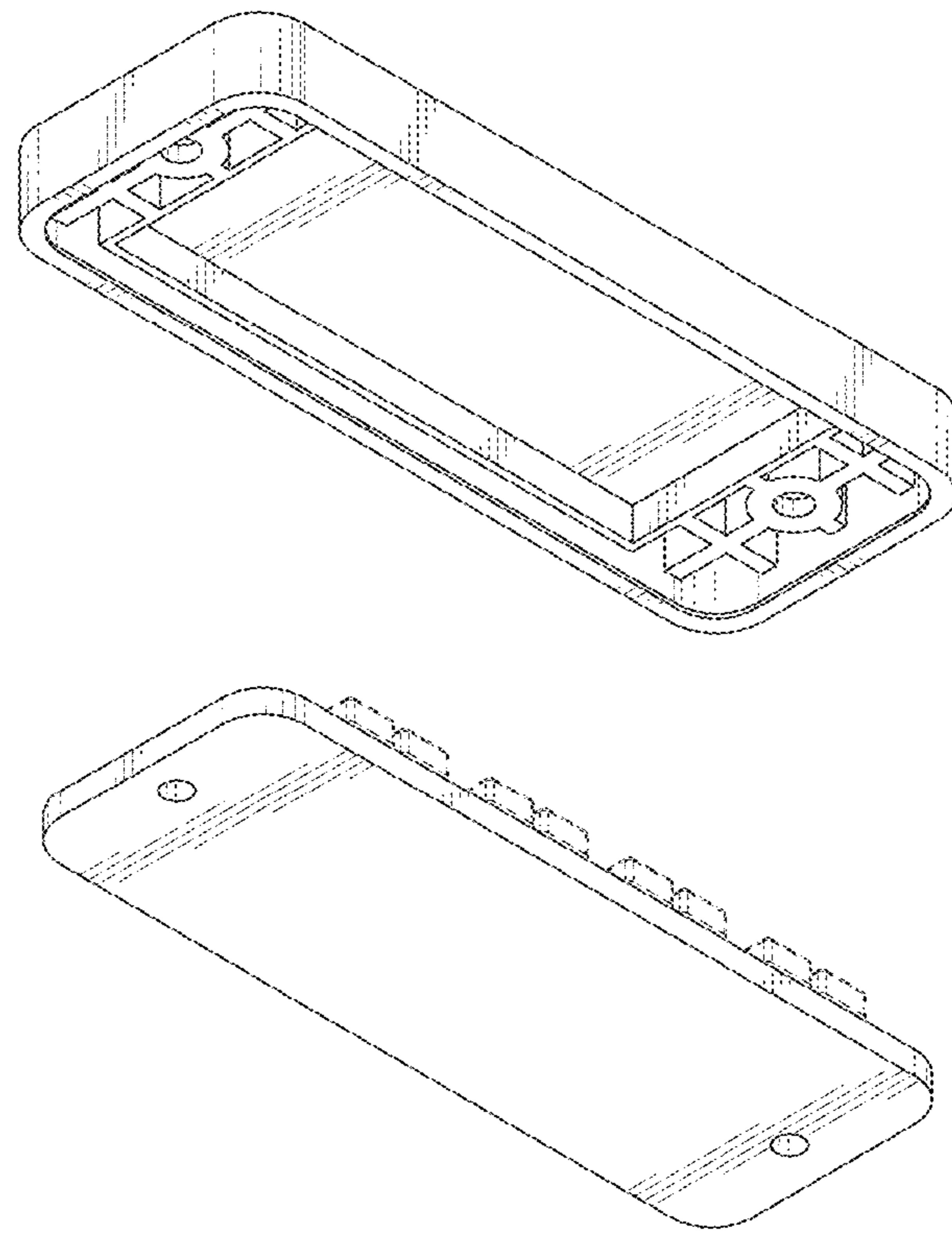


FIG. 16

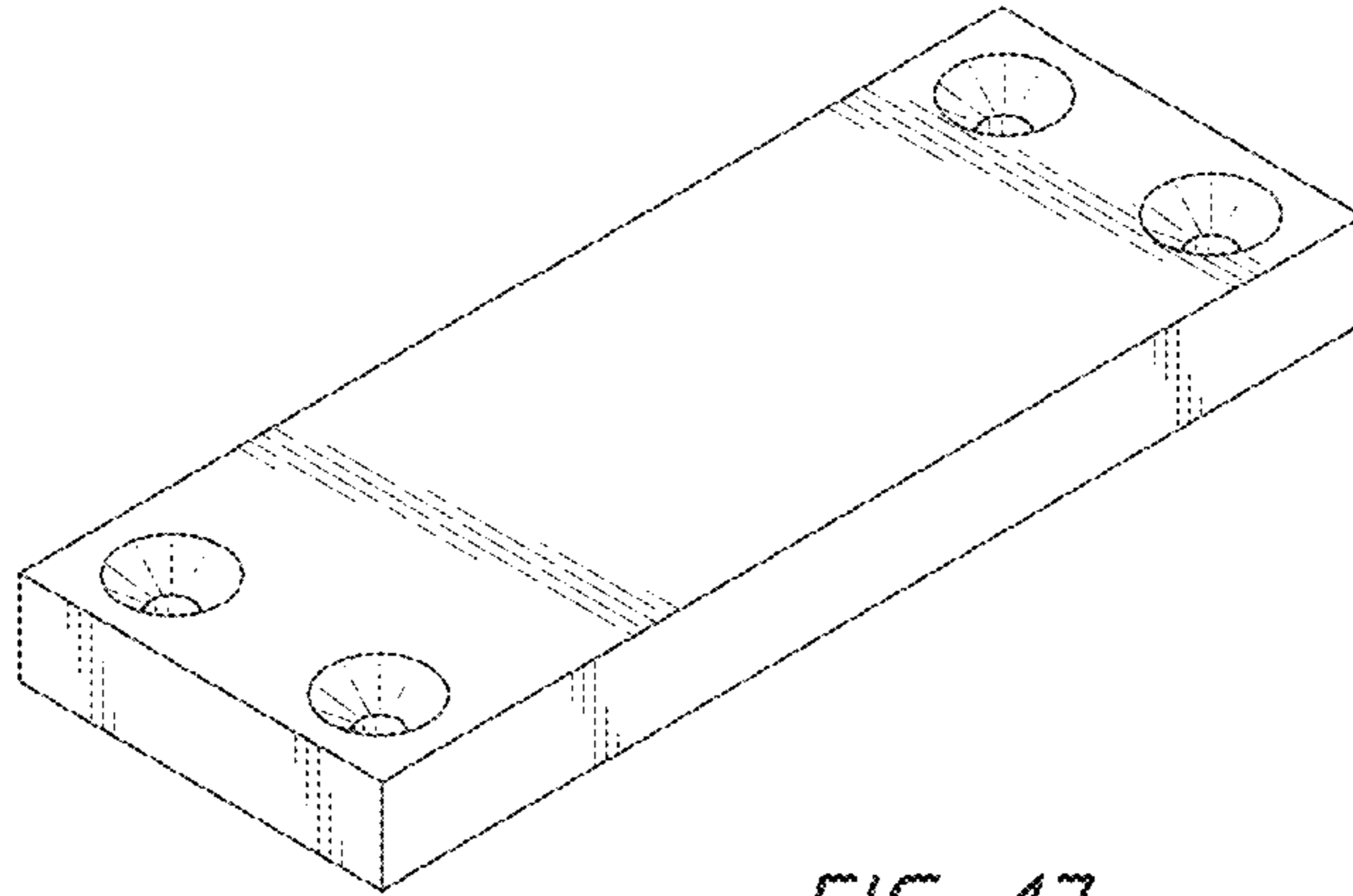


FIG. 17

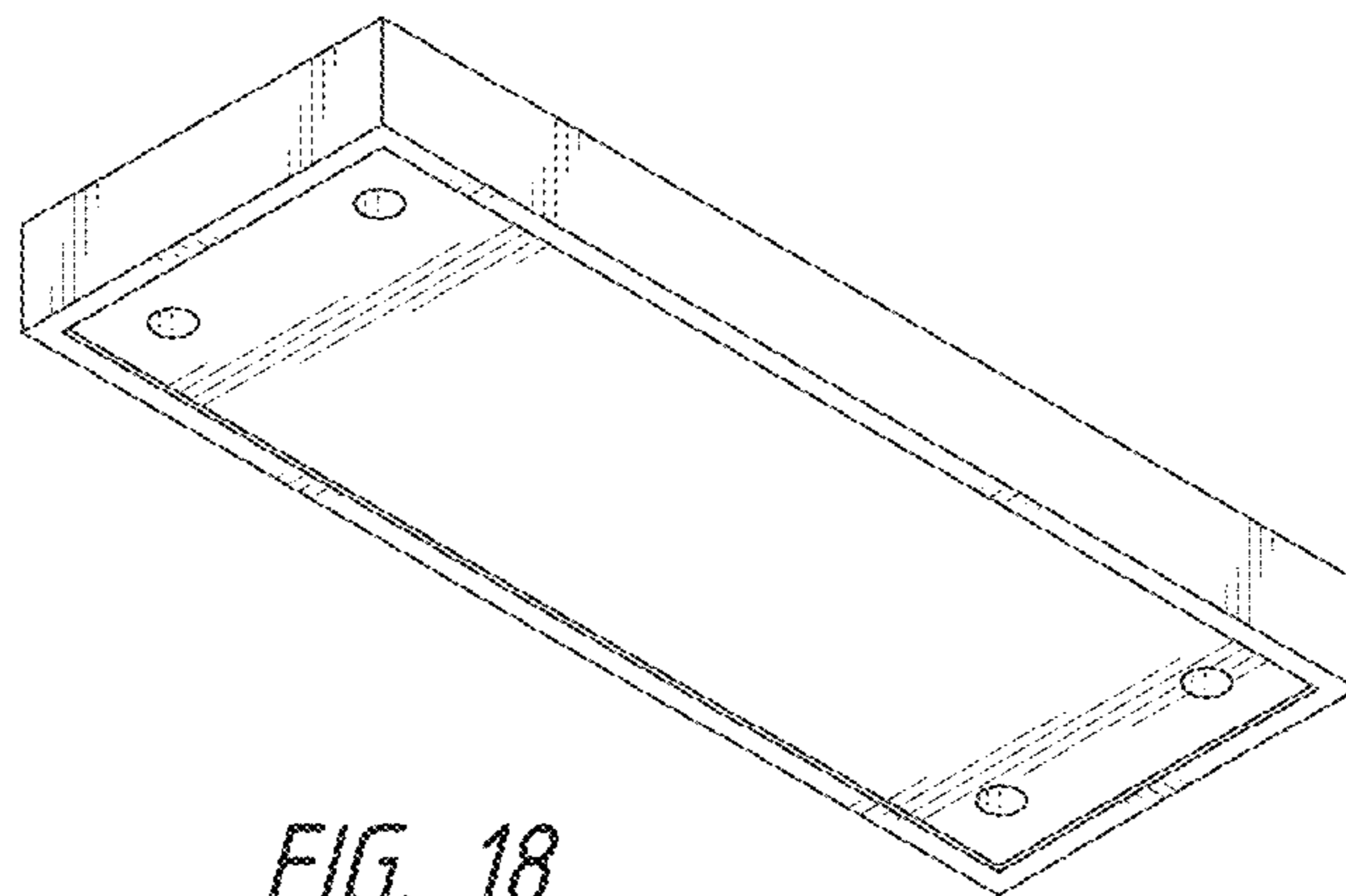


FIG. 18

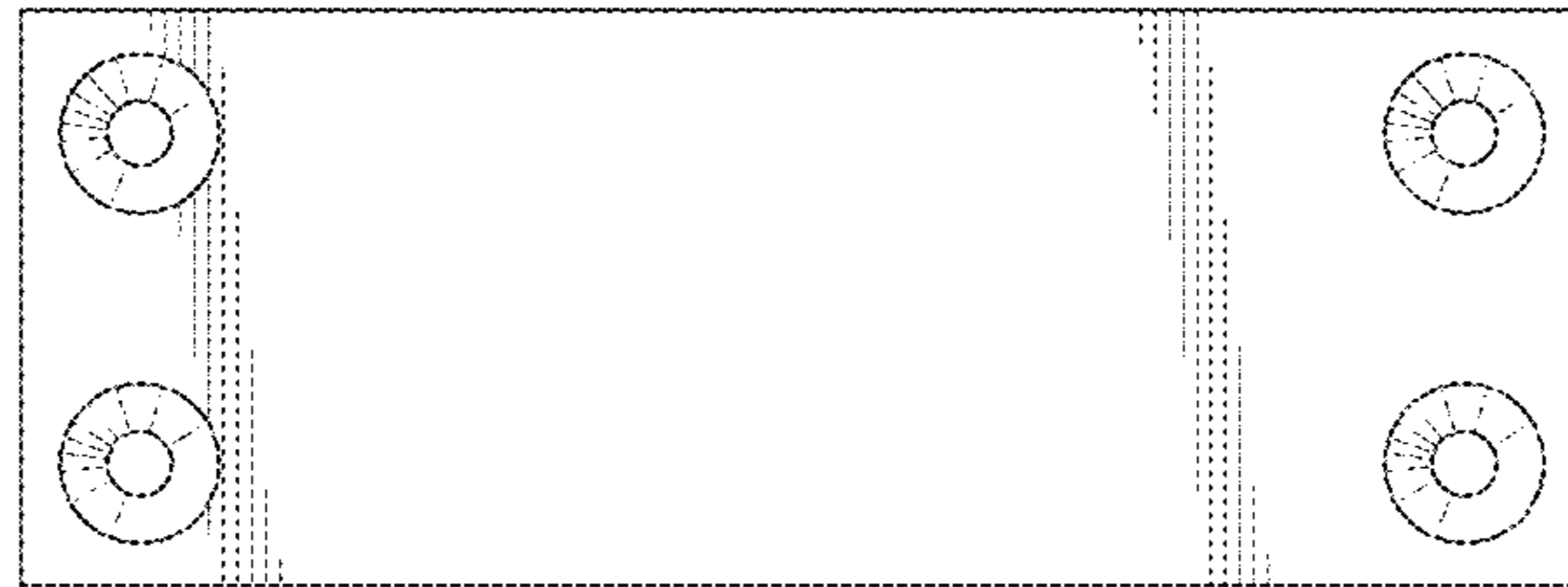


FIG. 19

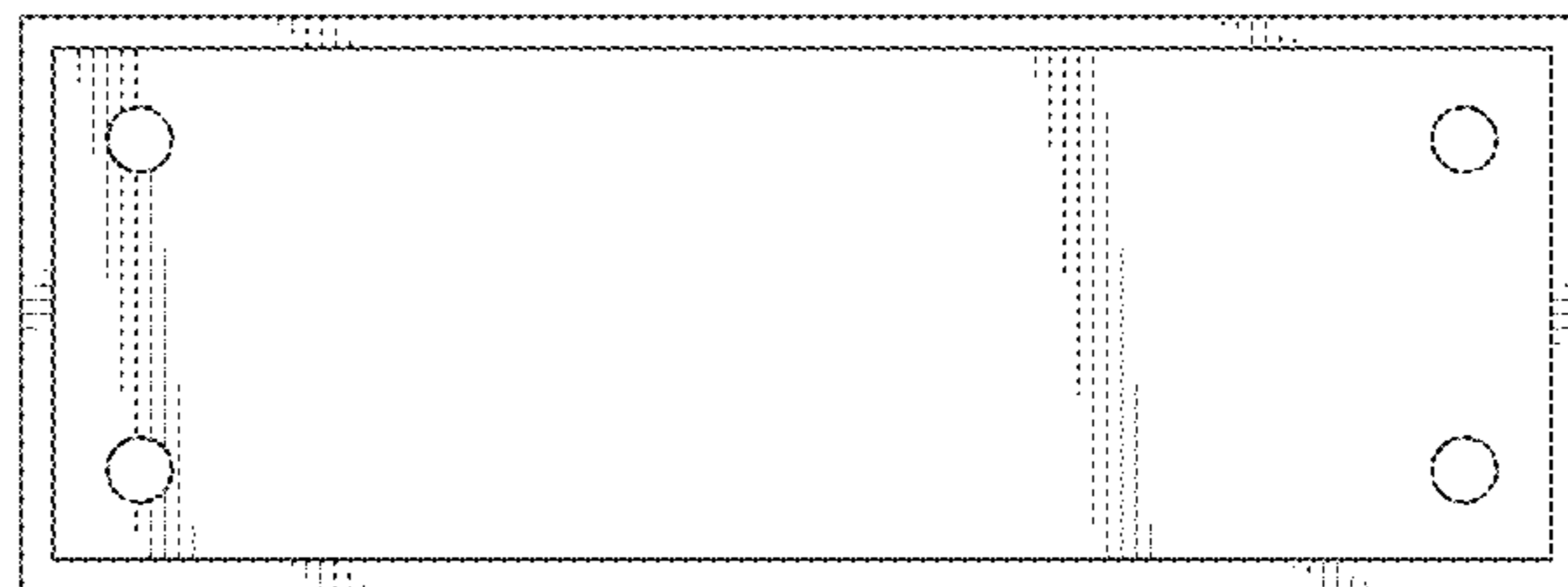


FIG. 20

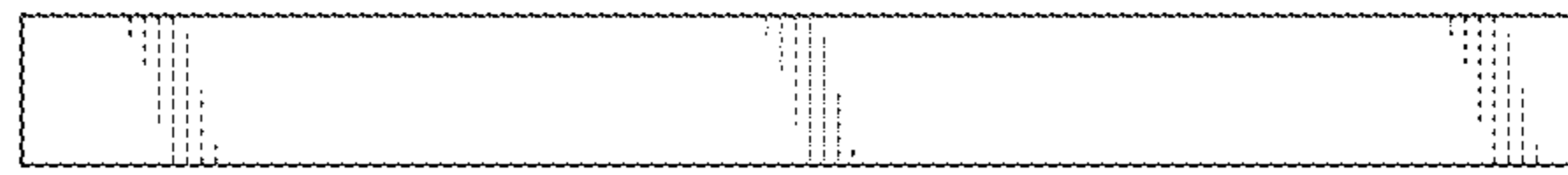


FIG. 21

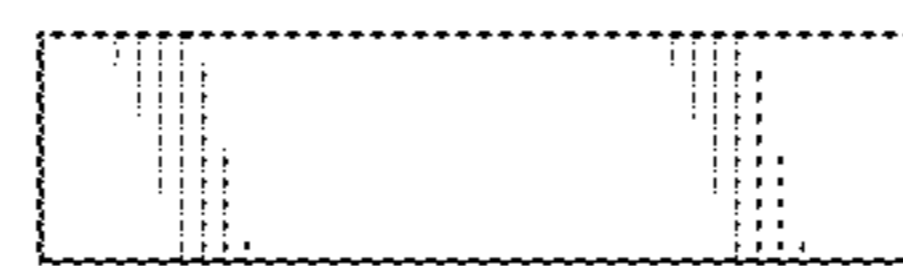


FIG. 22

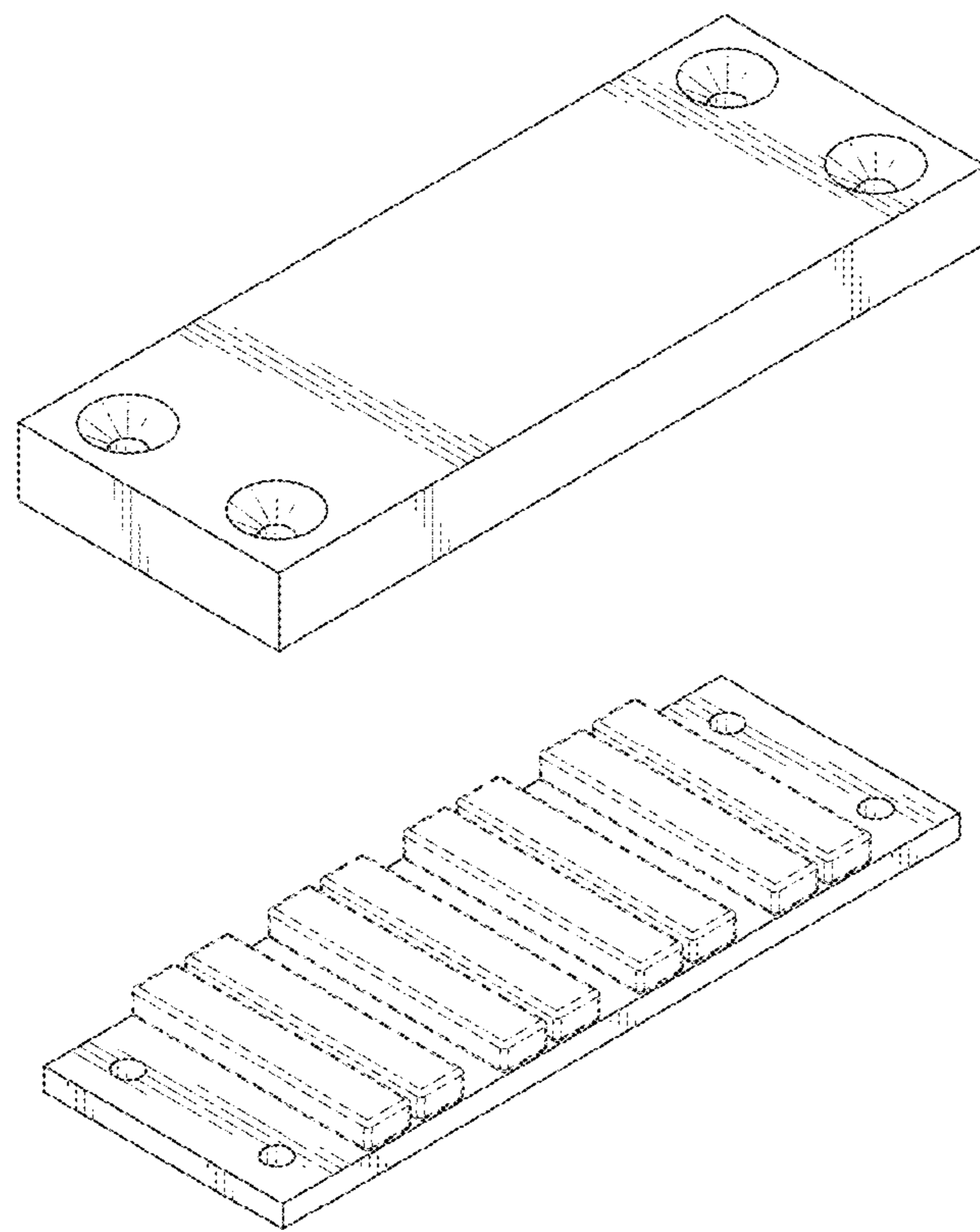


FIG. 23

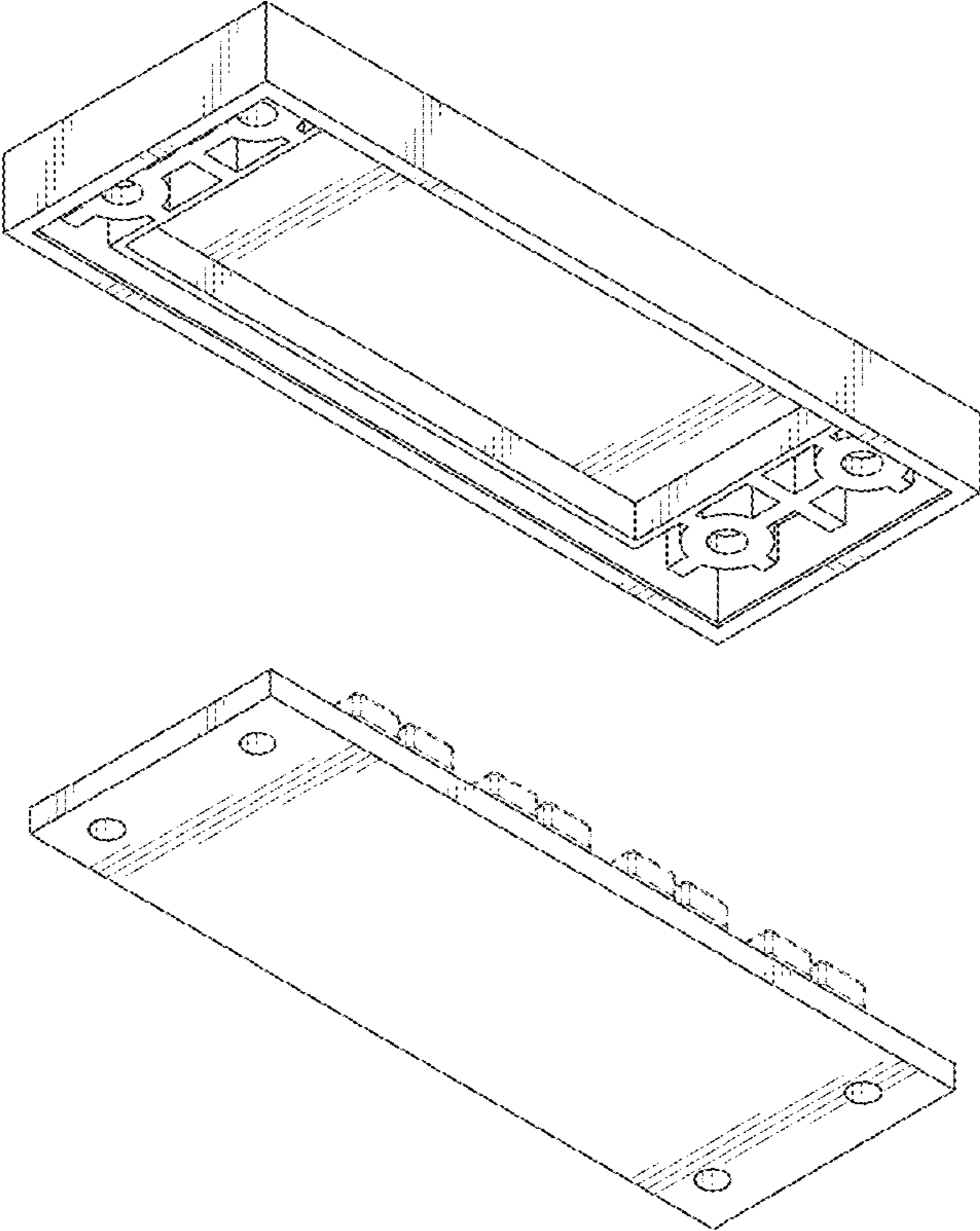


FIG. 24