



US00D849178S

(12) **United States Design Patent**
Ding et al.

(10) **Patent No.:** **US D849,178 S**
(45) **Date of Patent:** **** May 21, 2019**

- (54) **MAGAZINE BASE PLATE**
- (71) Applicant: **Leapers, Inc.**, Livonia, MI (US)
- (72) Inventors: **Tai-lai Ding**, Northville, MI (US); **Tat Shing Yu**, Plymouth, MI (US)
- (73) Assignee: **Leapers, Inc.**, Livonia, MI (US)
- (**) Term: **15 Years**
- (21) Appl. No.: **29/648,673**
- (22) Filed: **May 23, 2018**
- (51) **LOC (11) Cl.** **22-01**
- (52) **U.S. Cl.**
USPC **D22/108**
- (58) **Field of Classification Search**
USPC D22/100, 101, 102, 103, 104, 105, 106,
D22/107, 108, 109, 110, 111, 199;
D21/571, 573, 574, 575, 746
CPC F41C 23/14; F41C 23/20; F41C 23/04;
F41C 23/00; F41C 23/10; F41C 27/00;
F41C 7/00; F41C 23/06; F41C 3/00;
F41B 5/10; F41B 5/14; F41B 5/0094;
F41B 5/1469; F41B 5/00
See application file for complete search history.

(56) **References Cited**

U.S. PATENT DOCUMENTS

4,495,720	A	1/1985	Bross	
5,666,752	A	9/1997	Grams	
5,906,065	A	5/1999	Pearce	
D487,791	S *	3/2004	Freed	D22/108
D493,861	S *	8/2004	Rauch	D22/108
7,093,386	B1	8/2006	Vieweg	
D576,701	S *	9/2008	Nichols	D22/108
D593,634	S *	6/2009	Fitzpatrick	D22/108
D620,544	S	7/2010	Fitzpatrick et al.	
7,797,871	B2	9/2010	Bubits	
7,908,780	B2	3/2011	Fitzpatrick et al.	
7,958,860	B2	6/2011	Bindel et al.	
D642,647	S *	8/2011	Fitzpatrick	D22/108

- 8,006,423 B1 8/2011 Alzamora et al.
 - 8,069,601 B1 12/2011 Fitzpatrick et al.
 - 8,225,541 B2 7/2012 Bigley et al.
- (Continued)

OTHER PUBLICATIONS

“Lightning Review: Strike Industries Enhanced Magazine Plate” [online]. TFB Staff. [Published Aug. 6, 2014]. Retrieved from the Internet: <<https://www.thefirearmblog.com/blog/2014/08/06/lightning-review-strike-industries-enhanced-magazine-plate/>>.*

(Continued)

Primary Examiner — Khawaja Anwar
Assistant Examiner — Mojtaba Tehrani
(74) *Attorney, Agent, or Firm* — Warner Norcross + Judd LLP

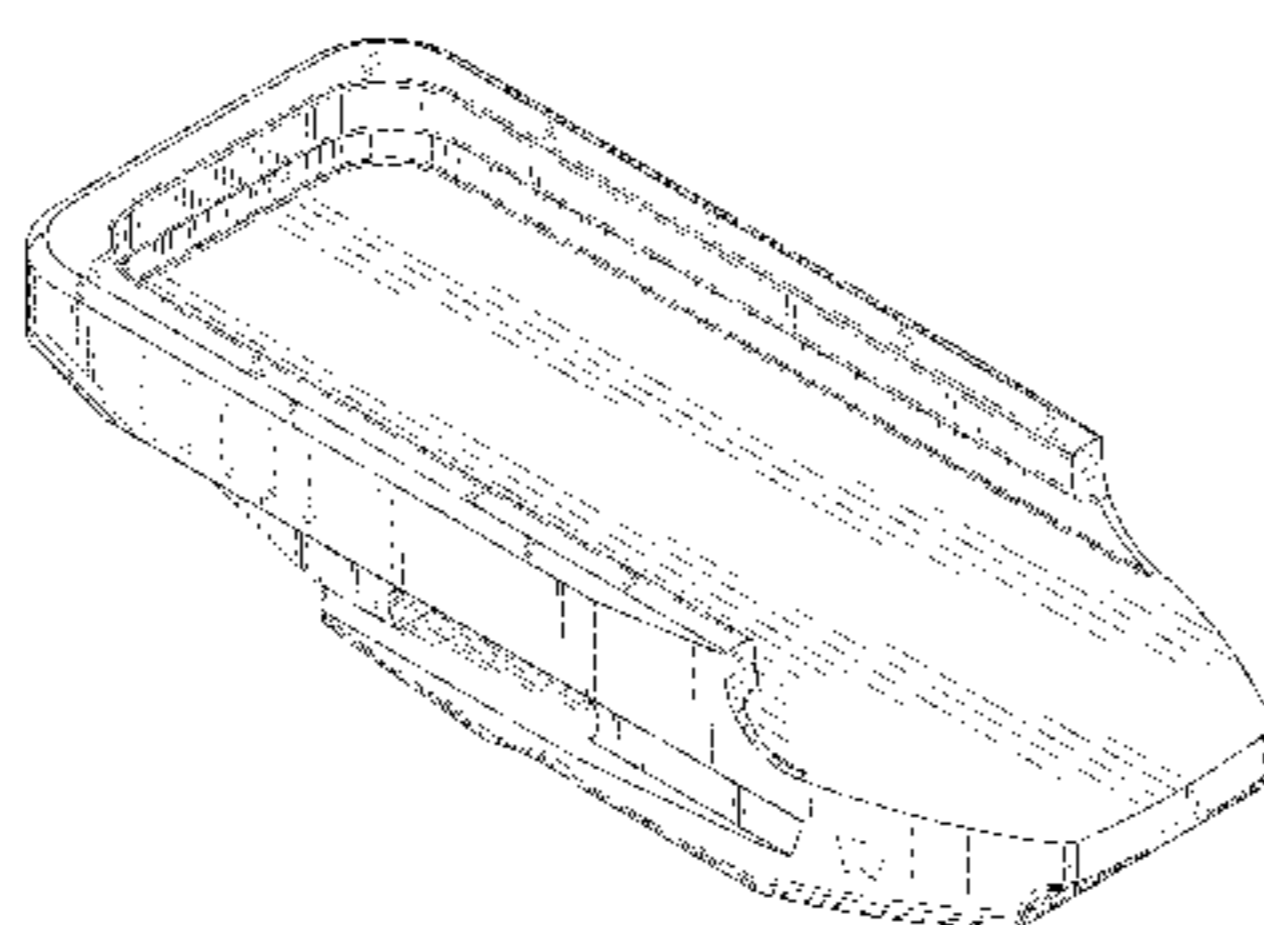
(57) **CLAIM**

The ornamental design for a magazine base plate, as shown and described.

DESCRIPTION

FIG. 1 is a front, upper perspective view of the magazine base plate embodying the new design; FIG. 2 is a rear, upper perspective view thereof; FIG. 3 is a right side view thereof, the left side being a mirror view thereof; FIG. 4 is a front view thereof; FIG. 5 is a rear view thereof; FIG. 6 is a top view thereof; FIG. 7 is a bottom view thereof; and, FIG. 8 is another side perspective view thereof. FIGS. 1-8 show features in broken lines. These features are shown for environmental purposes and do not form any part of the claimed design. The broken lines immediately adjacent the solid line portions of the design form the boundary of the design, with the broken lines forming no part of the claimed design.

1 Claim, 4 Drawing Sheets



(56)

References Cited

U.S. PATENT DOCUMENTS

8,590,202 B2 * 11/2013 Keng F41A 9/65
42/90

8,635,796 B2 1/2014 Fitzpatrick et al.

D706,895 S * 6/2014 Zayatz D22/108

D710,479 S 8/2014 Nakayama et al.

8,839,543 B2 9/2014 Fitzpatrick et al.

8,926,231 B2 1/2015 Liu et al.

8,943,727 B2 2/2015 Russell

8,991,086 B2 3/2015 Fitzpatrick et al.

D735,831 S * 8/2015 Faifer D22/108

9,255,749 B2 2/2016 Faifer

D769,397 S * 10/2016 Lam D22/108

D783,111 S * 4/2017 Hillis D22/108

D792,546 S * 7/2017 Geissele D22/108

D792,548 S * 7/2017 Daniel D22/108

9,746,264 B2 8/2017 Fitzpatrick et al.

D812,176 S * 3/2018 Kielsmeier D22/108

10,161,732 B2 * 12/2018 Purkiss F41A 9/65

D837,331 S * 1/2019 Garner D22/108

D838,333 S * 1/2019 Kielsmeier D22/108

2016/0123668 A1 5/2016 Longo

2017/0184359 A1 6/2017 Porat

2017/0307318 A1 10/2017 Faifer

2017/0328659 A1 11/2017 Fitzpatrick et al.

OTHER PUBLICATIONS

“MagPod” [online]. skdtac.com. [Retrieved Feb. 2, 2019]. Retrieved from the Internet: <<https://www.skdtac.com/MagPod-p/mgp.101.htm>>.*

Thermold AR15 30-round .223 new magazine downloaded from https://www.google.com/search?q=thermold+magazines&source=Inms&tbm=isch&sa=X&ved=0ahUKEwjg5pygt7LaAhWH31QKHxKCvsQ_AUICigB&biw=1536&bih=759#imgrc=OhMn2rqTRAfjXM: on Apr. 11, 2018.

RFB Thermold Mag downloaded from <https://www.keltecweapons.com/rtb-thermold-mag-902> on Apr. 11, 2018.

* cited by examiner

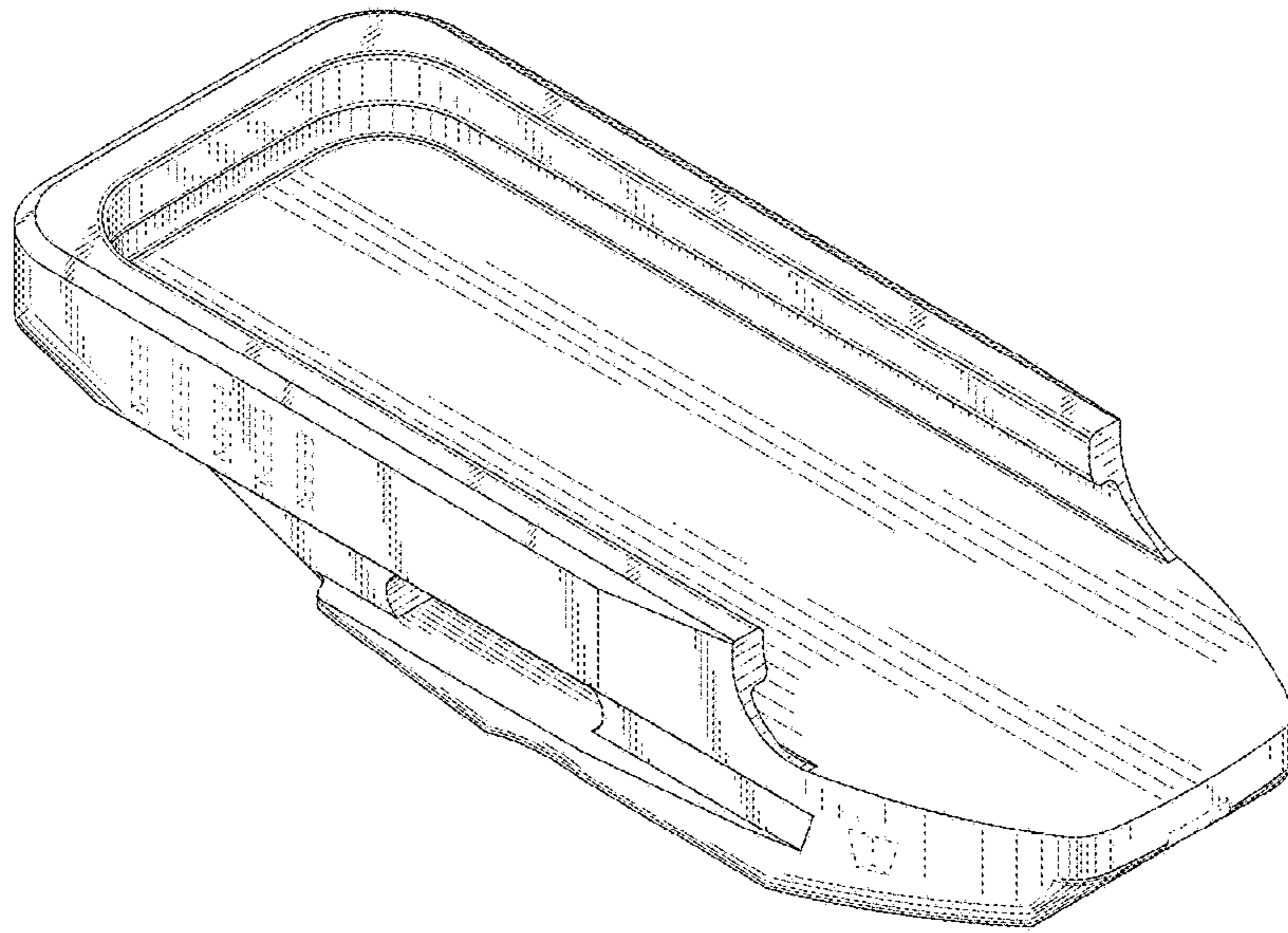


Fig. 1

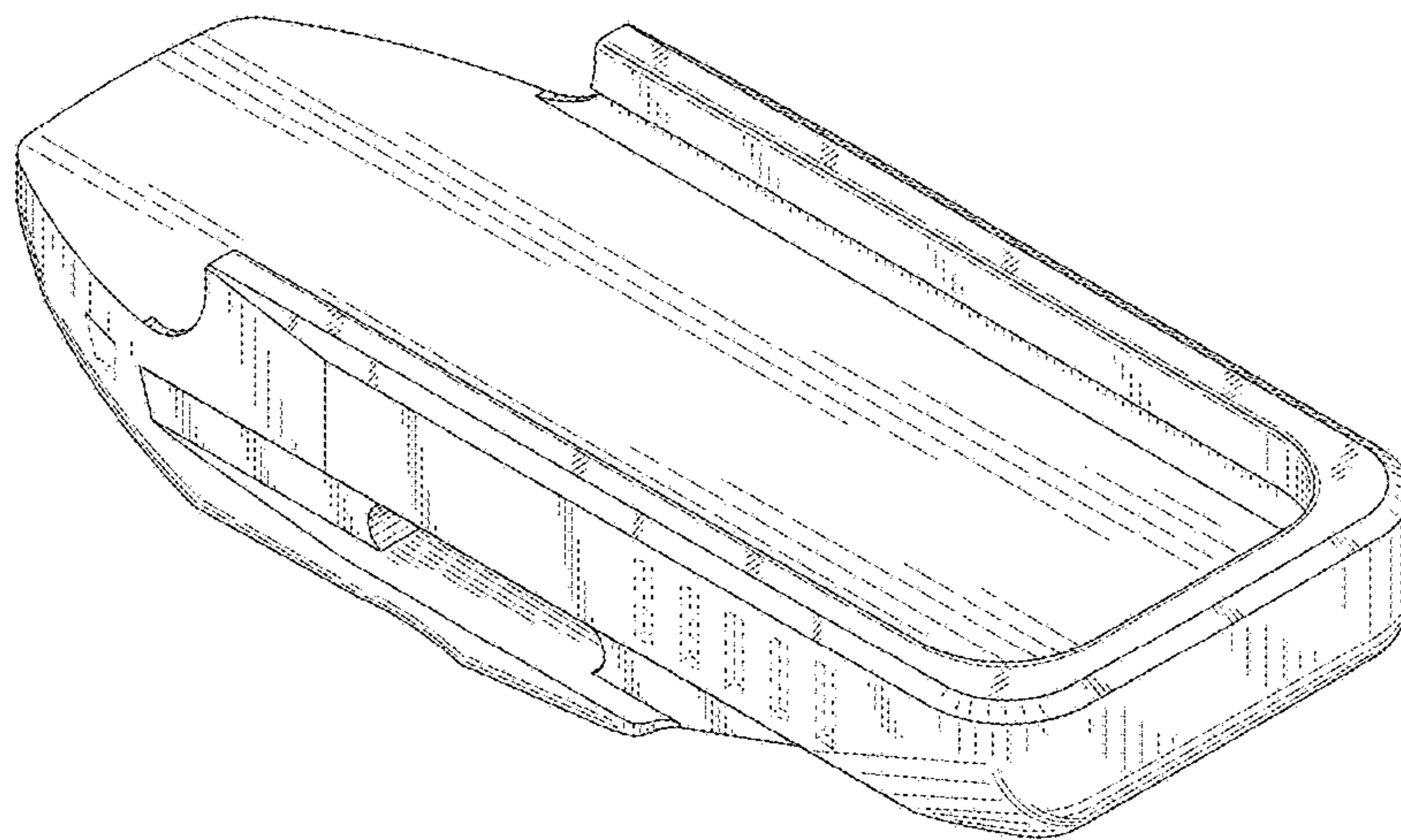


Fig. 2

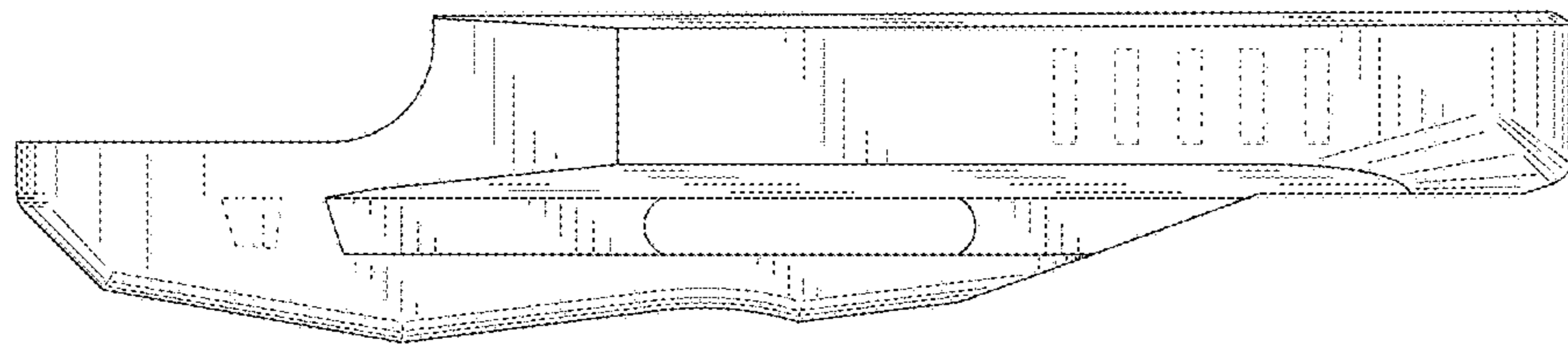


Fig. 3

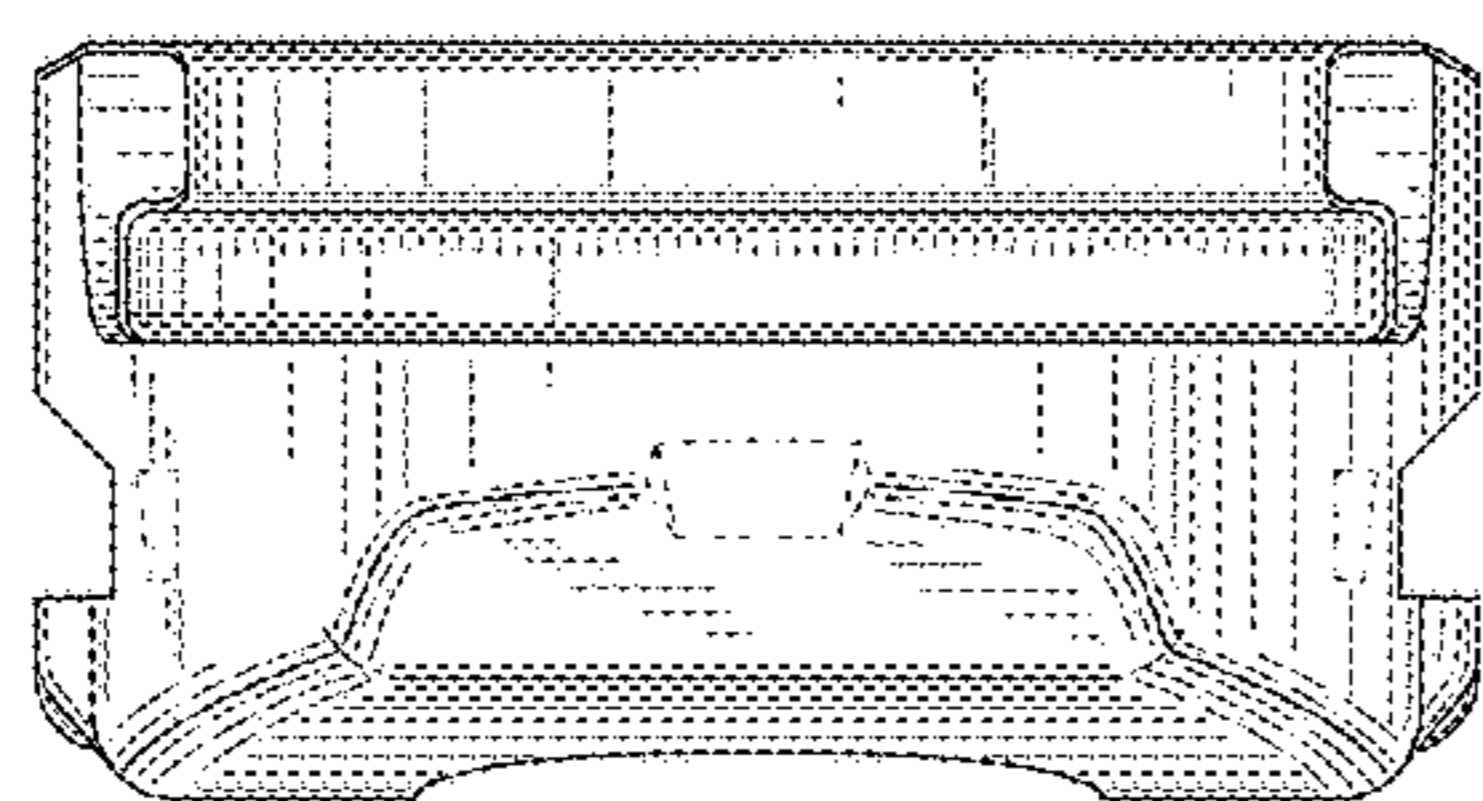


Fig. 4

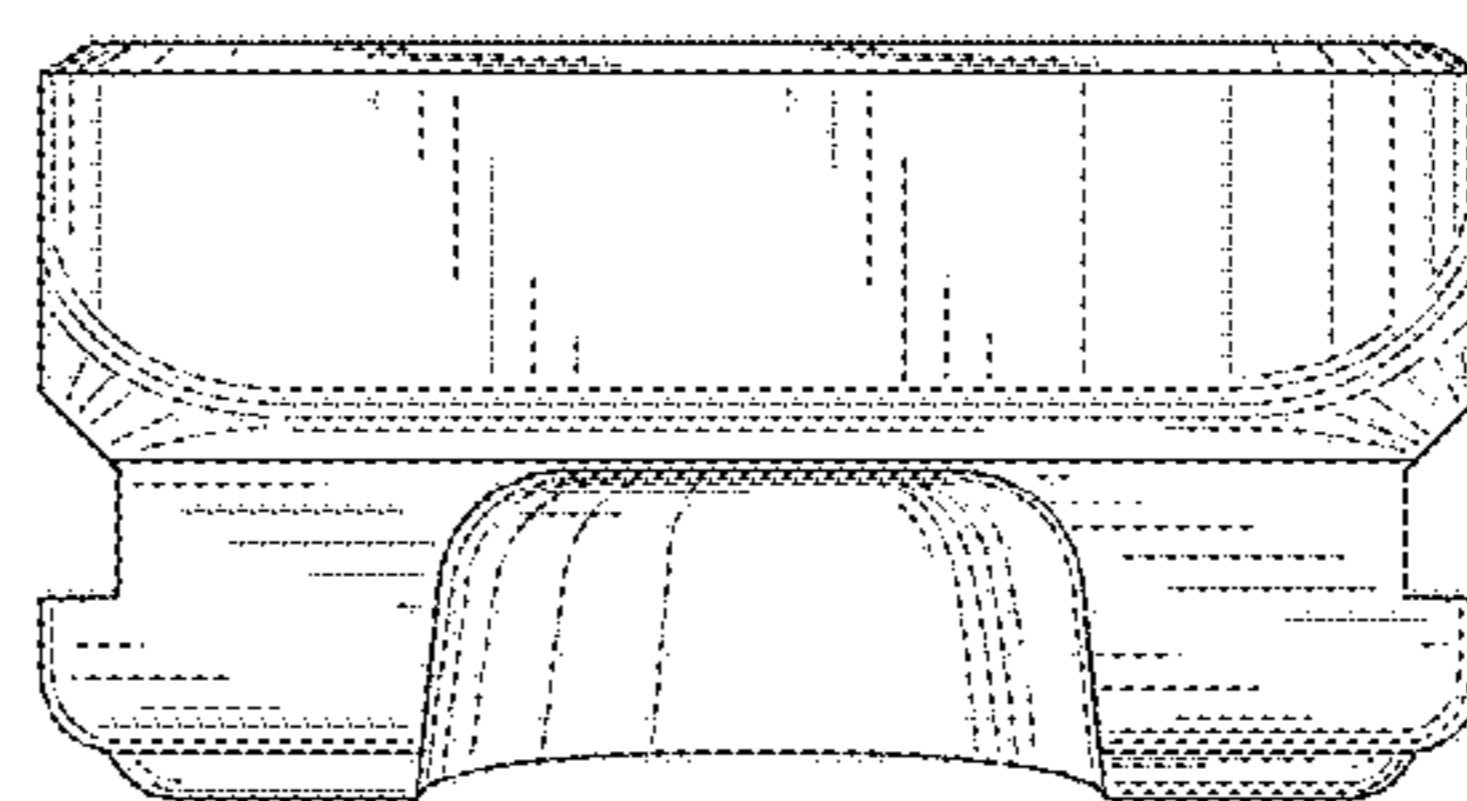


Fig. 5

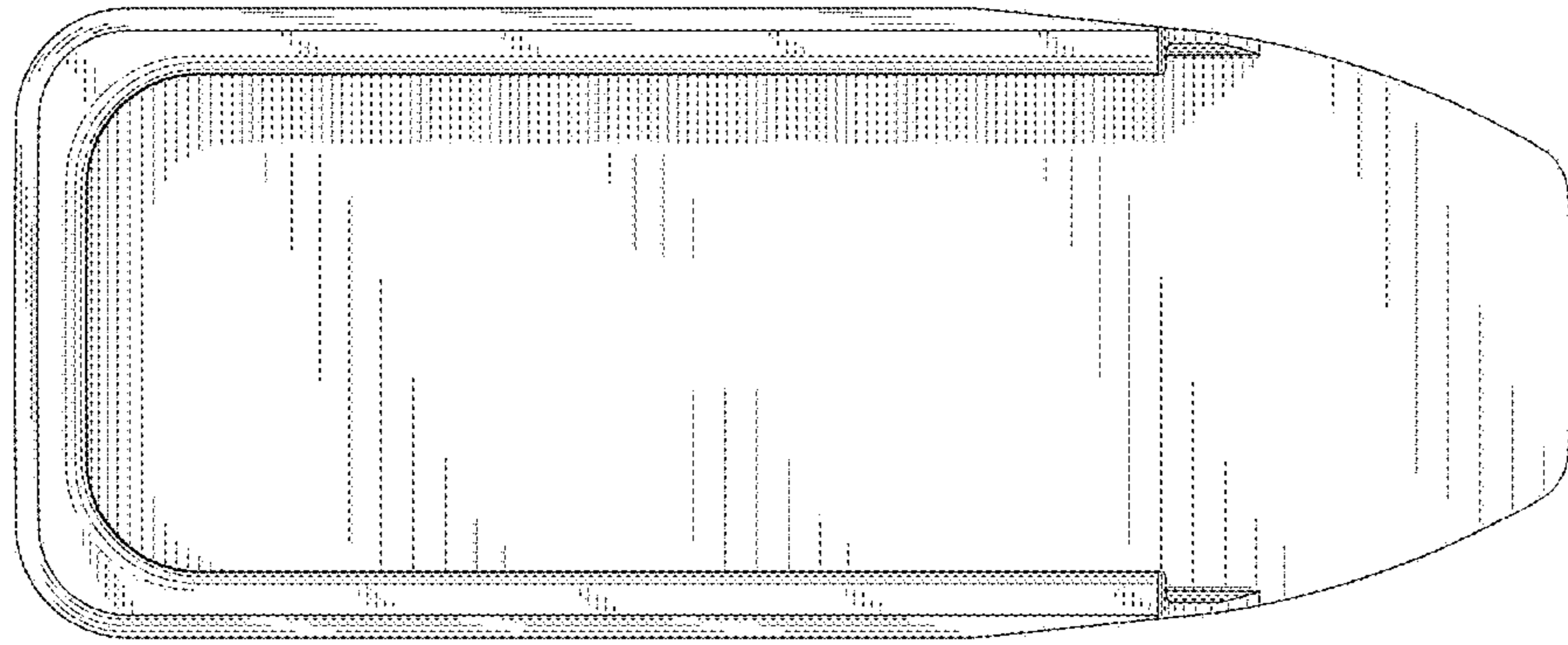


Fig. 6

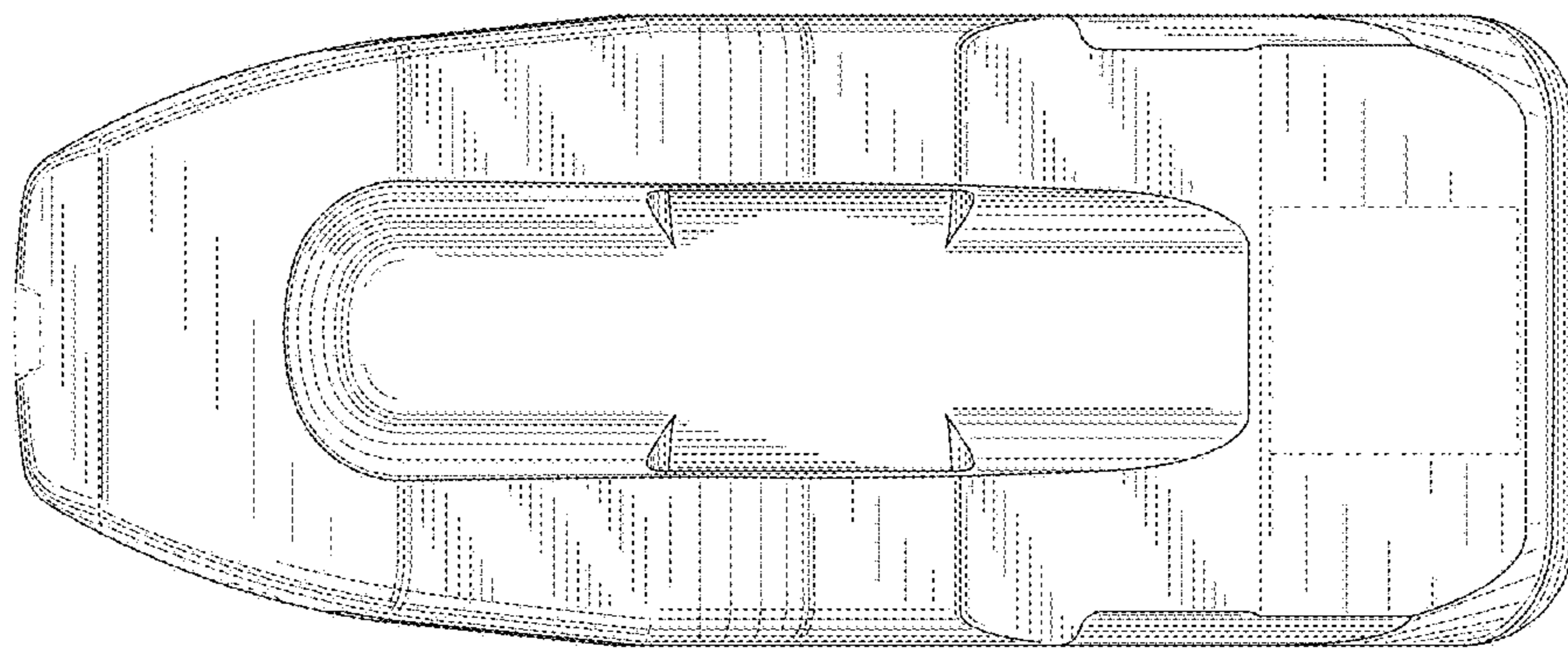


Fig. 7

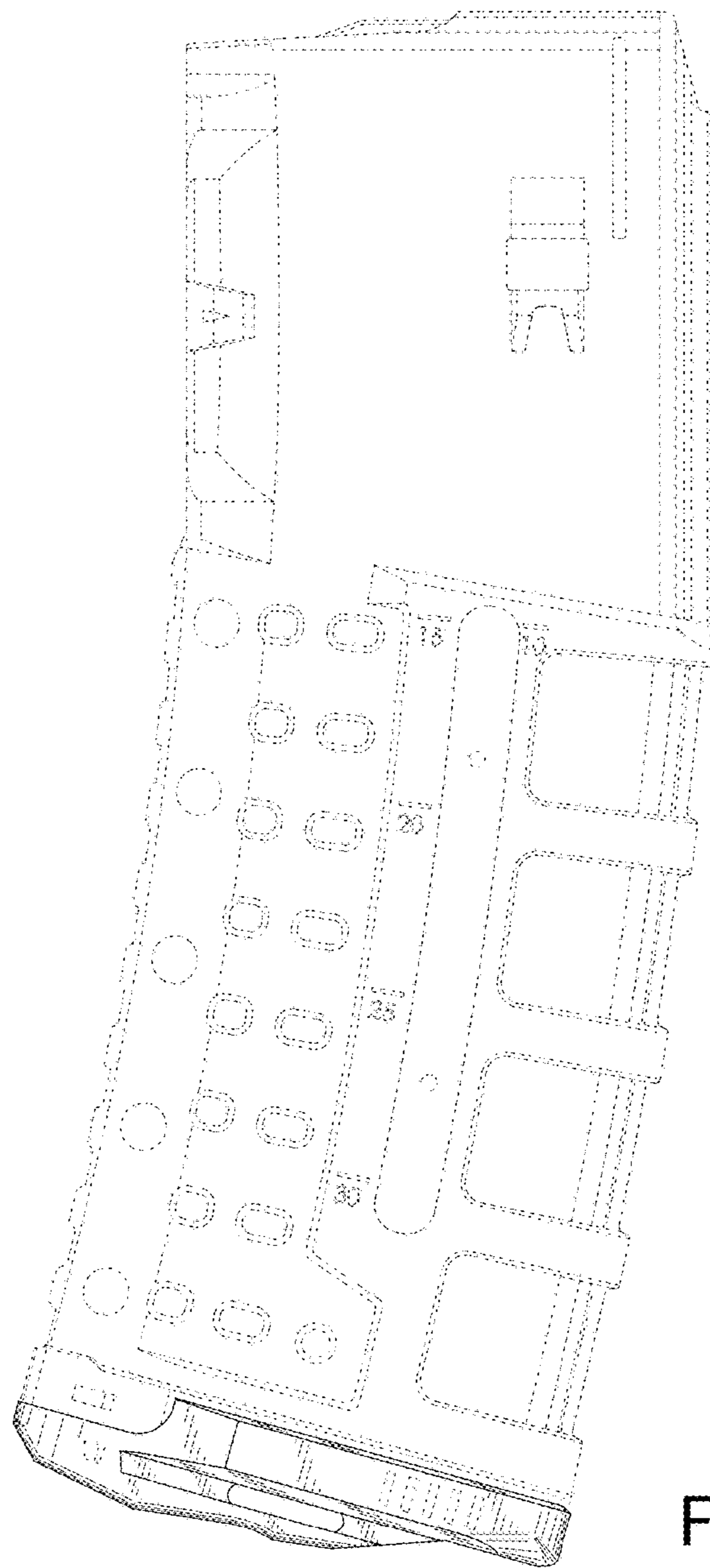


Fig. 8