



US00D849176S

(12) **United States Design Patent**
Luth

(10) **Patent No.:** **US D849,176 S**

(45) **Date of Patent:** **** May 21, 2019**

(54) **FIREARM TRIGGER GUARD**

(71) Applicant: **Randy E. Luth**, Becker, MN (US)

(72) Inventor: **Randy E. Luth**, Becker, MN (US)

(**) Term: **15 Years**

(21) Appl. No.: **29/634,292**

(22) Filed: **Jan. 19, 2018**

(51) **LOC (11) Cl.** **22-01**

(52) **U.S. Cl.**
USPC **D22/108**

(58) **Field of Classification Search**
USPC D22/104–105, 107–110, 199;
D21/571–575

CPC F41A 19/11; F41A 17/46
See application file for complete search history.

(56) **References Cited**

U.S. PATENT DOCUMENTS

2,080,202	A *	5/1937	Drake	F41A 17/54 42/70.06
2,590,516	A *	3/1952	De Von Breymann	F41A 17/54 42/70.06
2,882,636	A *	4/1959	Shinaver	F41A 17/54 42/70.06
3,020,663	A *	2/1962	Newson	F41A 17/54 42/70.06
3,066,433	A *	12/1962	Rogers	F41A 17/54 42/70.06
3,269,046	A	8/1966	Schaefer		
3,956,842	A *	5/1976	Ballenger	F41A 17/54 42/70.07
5,450,684	A *	9/1995	Harris	F41A 17/54 42/70.07
5,515,633	A *	5/1996	Harris	F41A 17/54 42/70.07
5,926,989	A	7/1999	Oliver, Sr.		

D415,238	S *	10/1999	Kay	D22/100
D482,097	S *	11/2003	Cunningham	D22/108
D482,098	S *	11/2003	Cunningham	D22/108

(Continued)

OTHER PUBLICATIONS

The Trigger Trainer, posted at Luth-AR, posting date Apr. 21, 2017. [Site visited Oct. 25, 2018] URL: <<https://web.archive.org/web/20170421202505/https://www.luth-ar.com/product/trigger-trainer/>> (Year: 2017).*

(Continued)

Primary Examiner — Kevin K Rudzinski
Assistant Examiner — Kathleen L Jones
(74) *Attorney, Agent, or Firm* — McKee, Voorhees & Sease, PLC

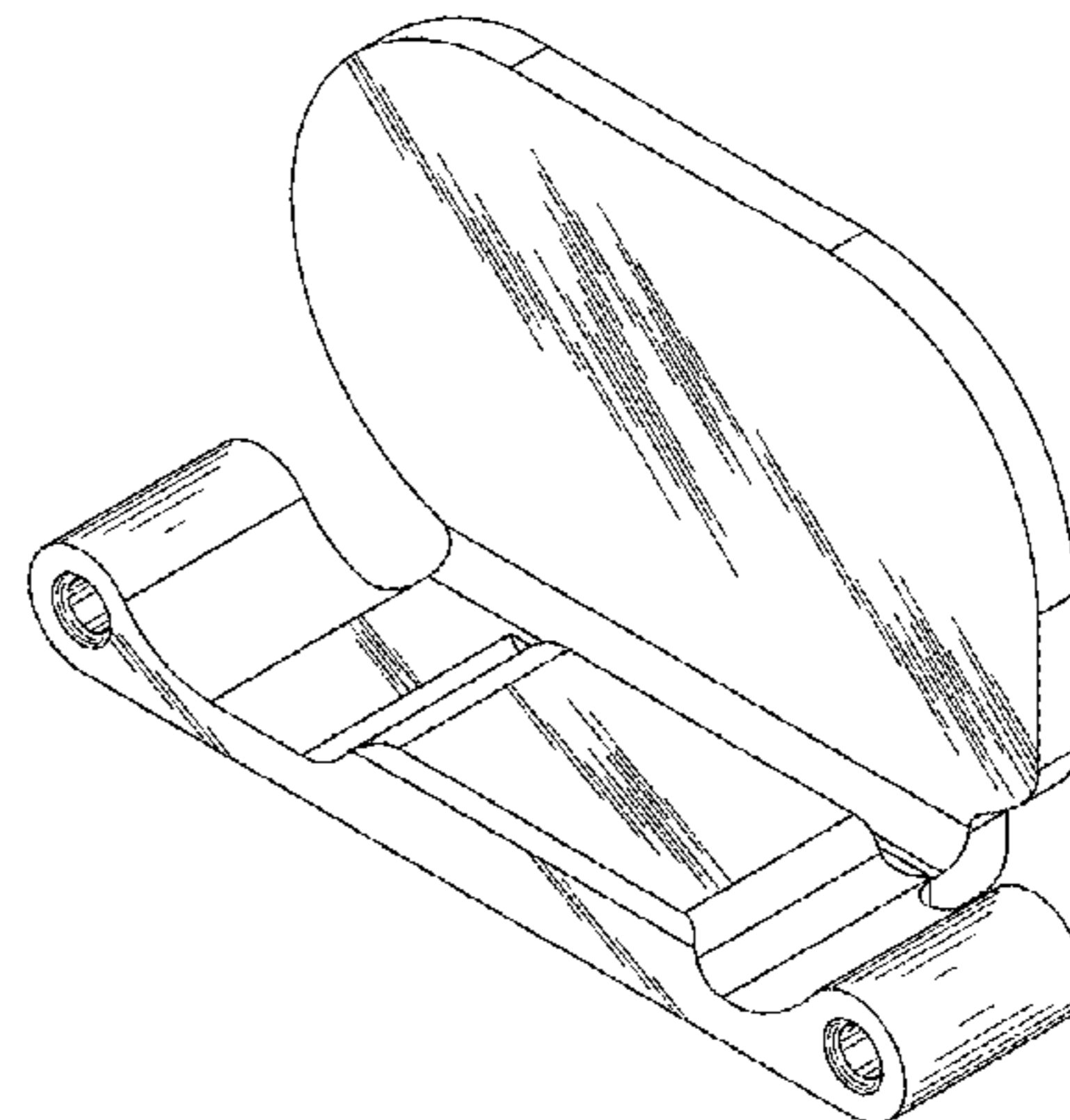
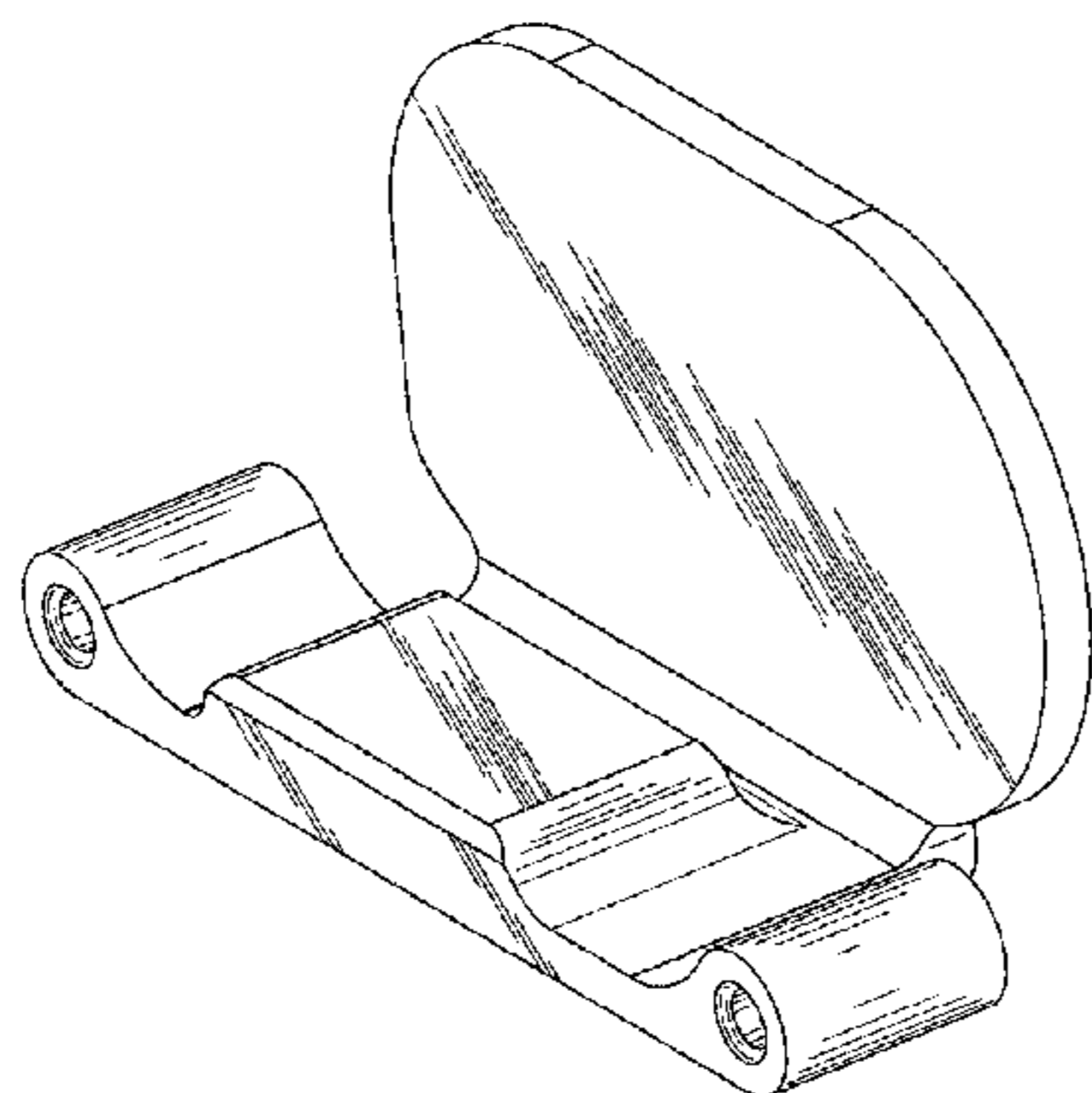
(57) **CLAIM**

I claim the ornamental design for a firearm trigger guard, substantially as shown and described.

DESCRIPTION

FIG. 1 is a perspective view of the interior of a left hand firearm trigger guard.
FIG. 2 is a perspective view of the exterior thereof.
FIG. 3 is an elevational view of the interior thereof.
FIG. 4 is an elevational view of the exterior thereof.
FIG. 5 is a top plan view thereof.
FIG. 6 is a bottom plan view thereof.
FIG. 7 is a left side view thereof.
FIG. 8 is a right side view thereof.
FIG. 9 is a perspective view of the interior of a right hand firearm trigger guard.
FIG. 10 is a perspective view of the exterior thereof.
FIG. 11 is an elevational view of the interior thereof.
FIG. 12 is an elevational view of the exterior thereof.
FIG. 13 is a top plan view thereof.
FIG. 14 is a bottom plan view thereof.
FIG. 15 is a right side view thereof; and,
FIG. 16 is a left side view thereof.

1 Claim, 6 Drawing Sheets



(56)

References Cited

U.S. PATENT DOCUMENTS

7,028,426	B1 *	4/2006	Viani	F41A 17/54 224/193
D604,383	S *	11/2009	Swan	D22/108
D640,766	S *	6/2011	Joplin	D22/108
D664,229	S *	7/2012	Mackie	D22/107
D664,234	S *	7/2012	Nierenberg	D22/104
D699,806	S	2/2014	Farnlacher et al.	
D701,282	S *	3/2014	Ferguson, II	D22/108
D716,407	S *	10/2014	Ferguson, II	D22/108
D783,759	S	4/2017	Geissele	
9,958,225	B1 *	5/2018	Richetti	F41A 17/46
2011/0047849	A1	3/2011	Brenner	
2016/0054083	A1 *	2/2016	Kiyani	F41A 17/063 42/70.11
2017/0199001	A1 *	7/2017	Bair	F41A 19/09
2018/0100715	A1 *	4/2018	Bordley	F41A 17/54
2018/0335267	A1 *	11/2018	Kiyani	F41A 17/063

OTHER PUBLICATIONS

Trigger Guard Holster for Smith and Wesson M&P Shield Pistols, posted at Galloway Precision, posting date Aug. 15, 2016. URL: <<https://web.archive.org/web/20160815025613/https://gallowayprecision.com/smith-and-wesson/m-and-p-shield/trigger-guard-holster-for-smith-and-wesson-shield-pistols/>> (Year: 2016).*

* cited by examiner

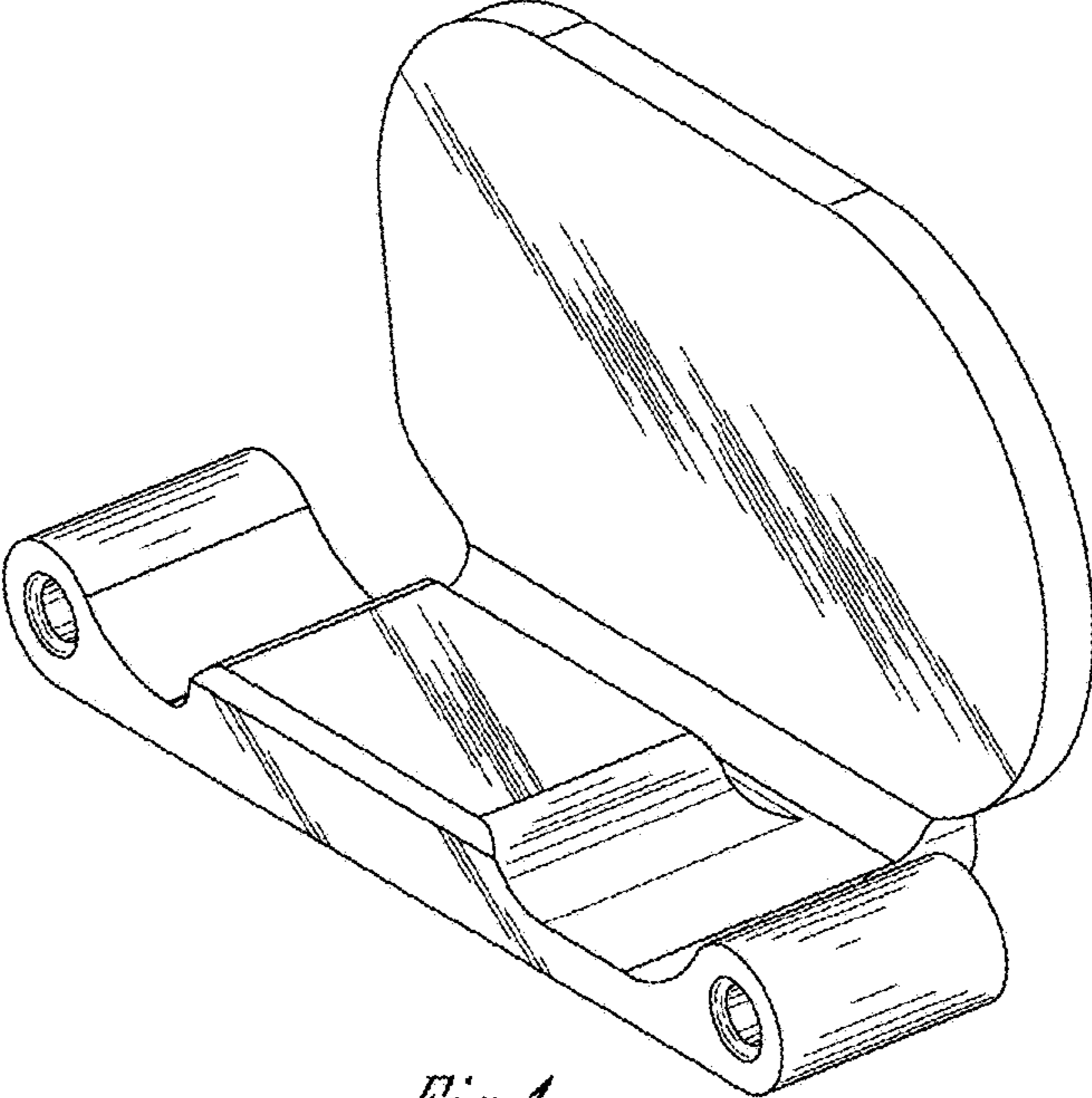


Fig. 1

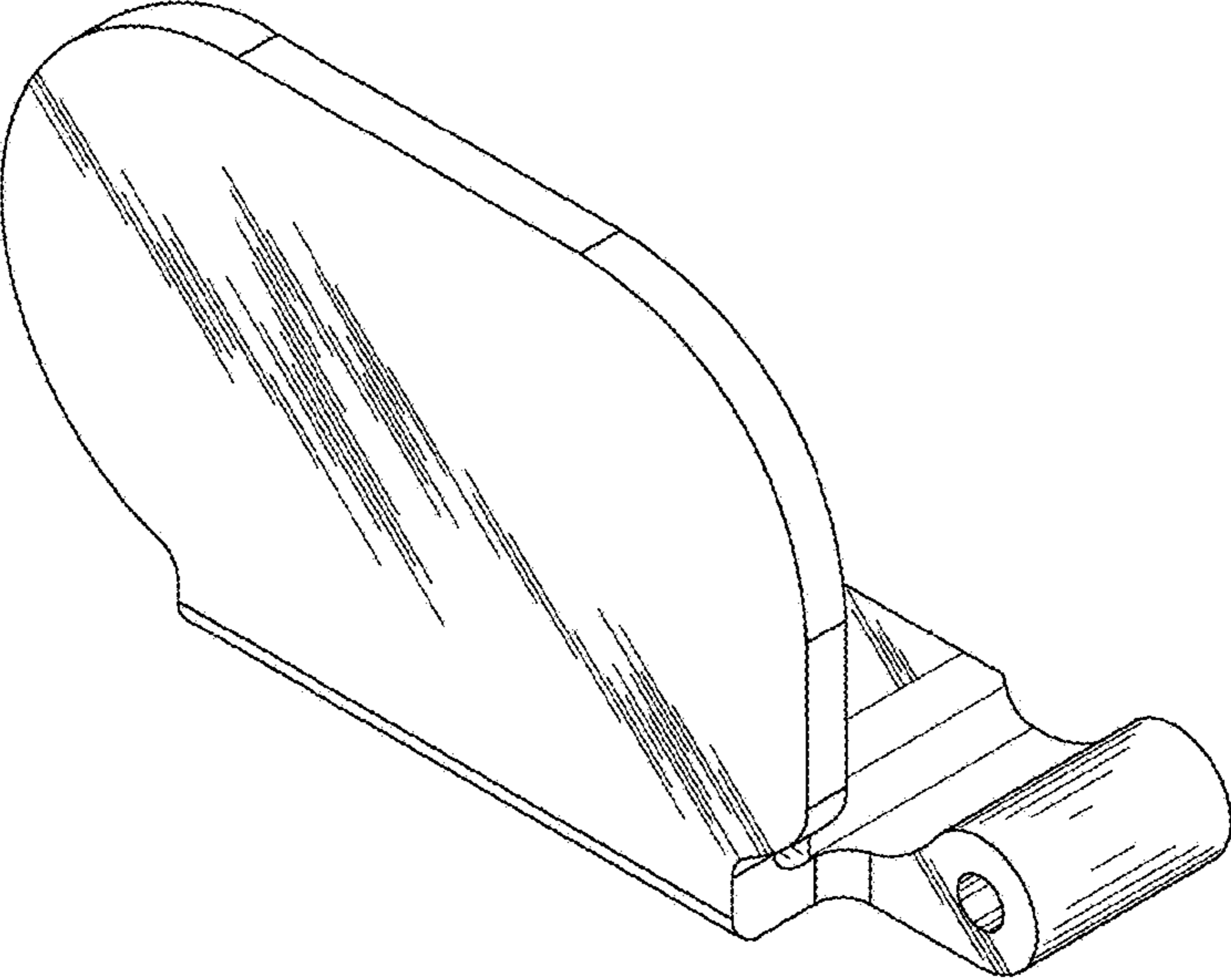


Fig. 2

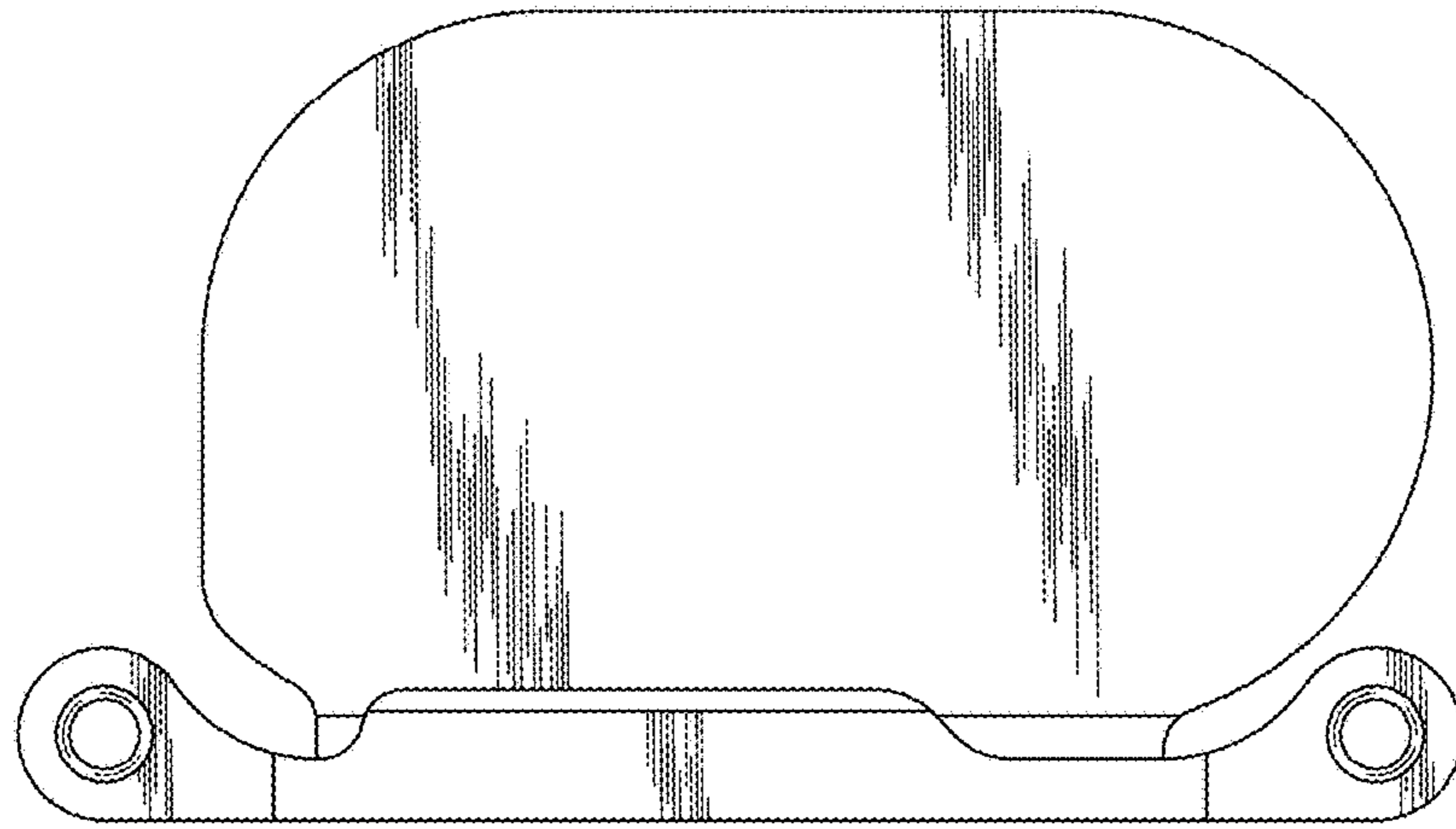


Fig. 3

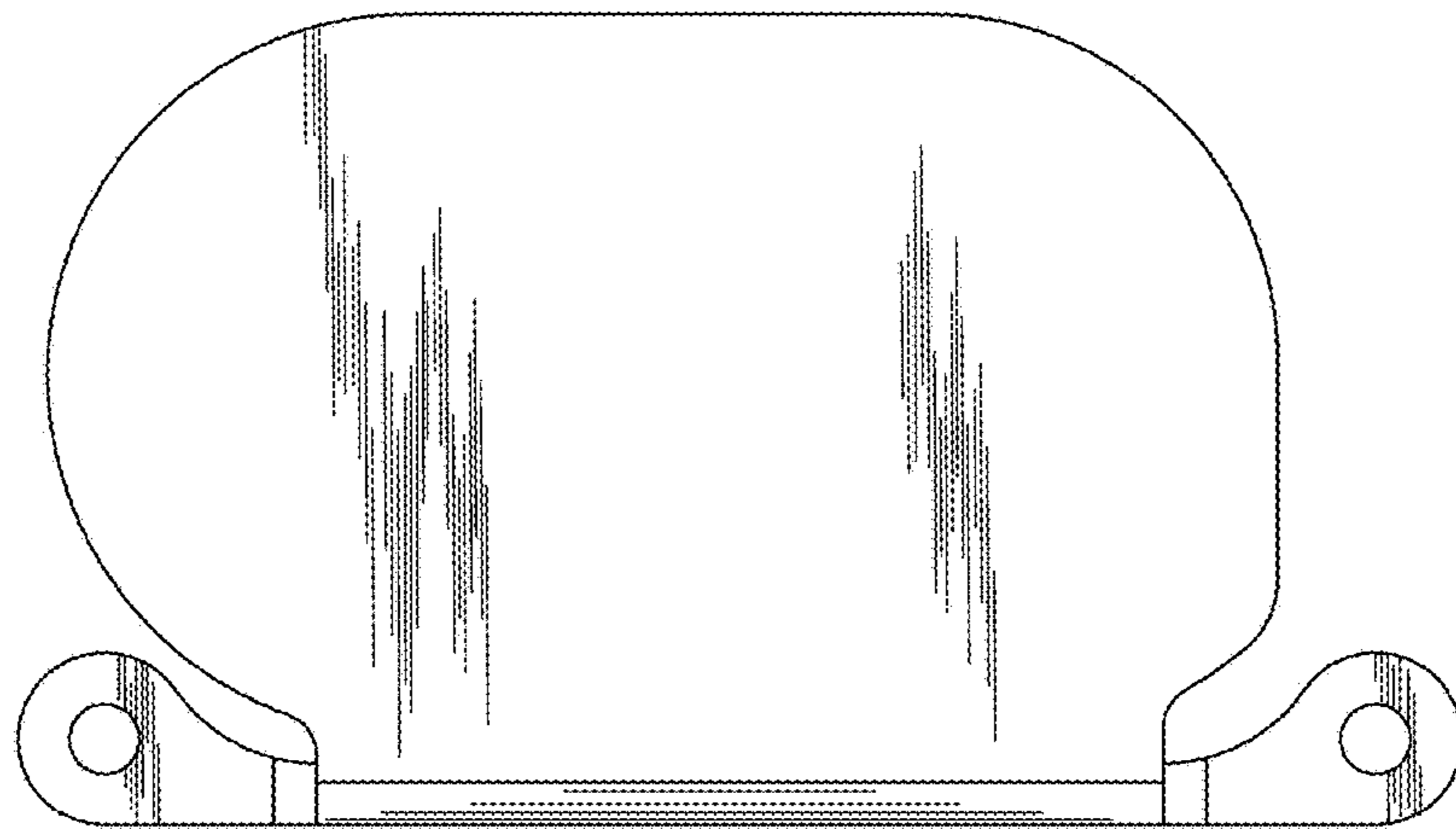


Fig. 4

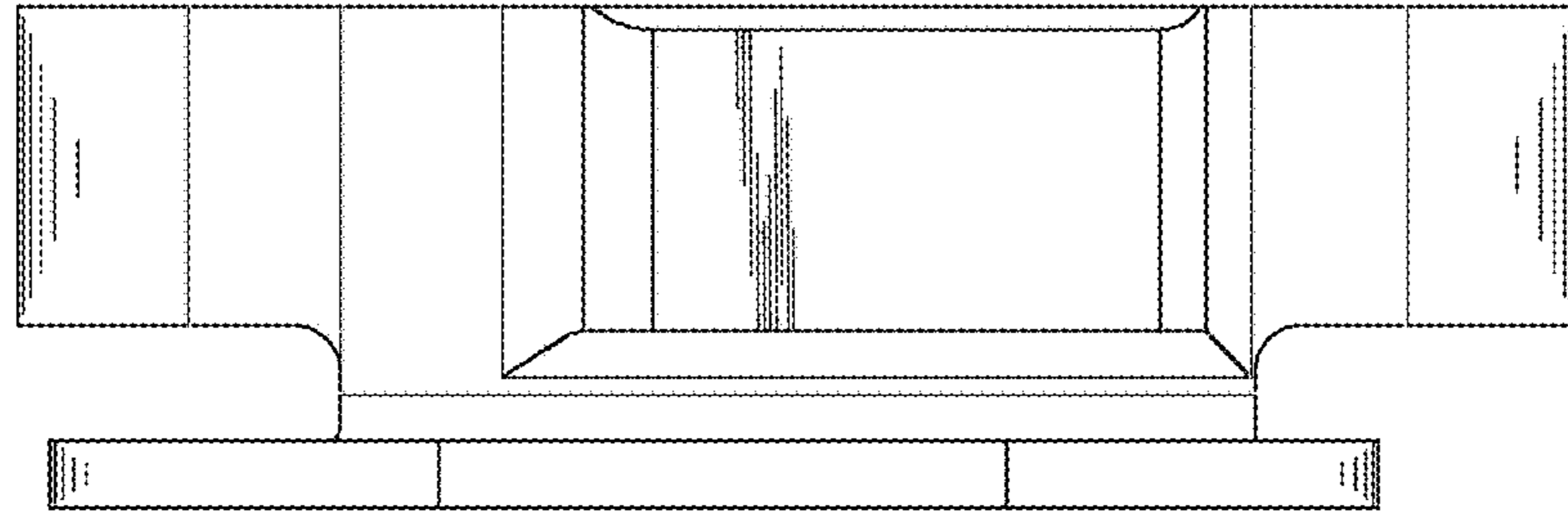


Fig. 5

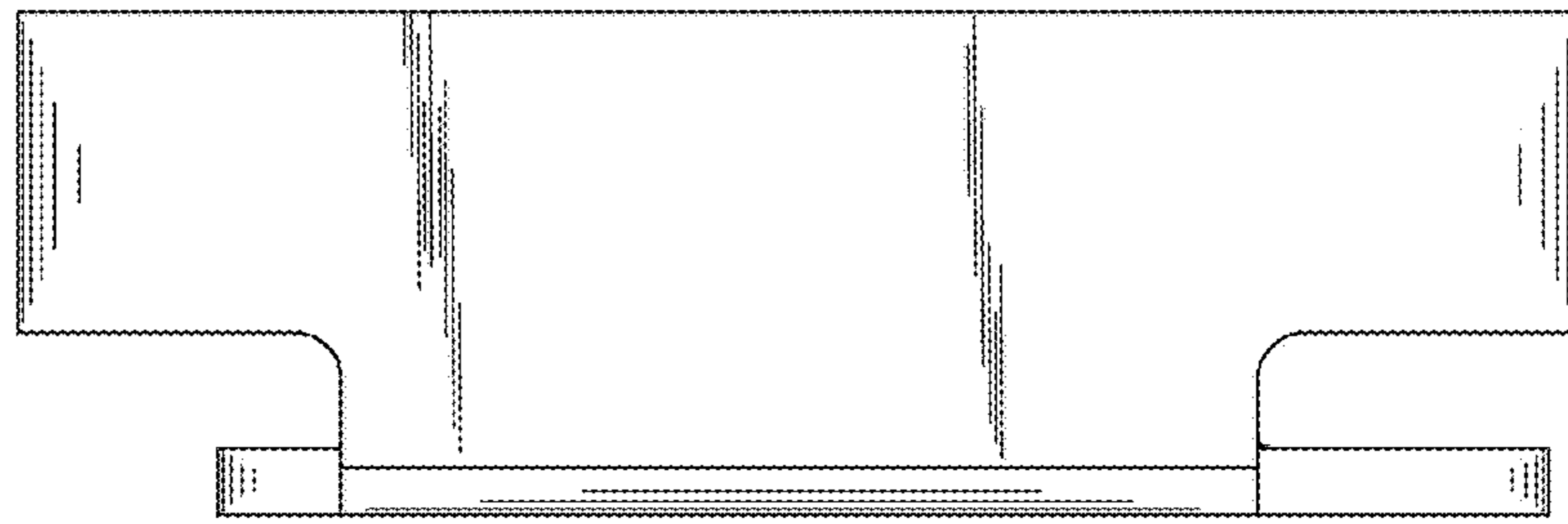


Fig. 6

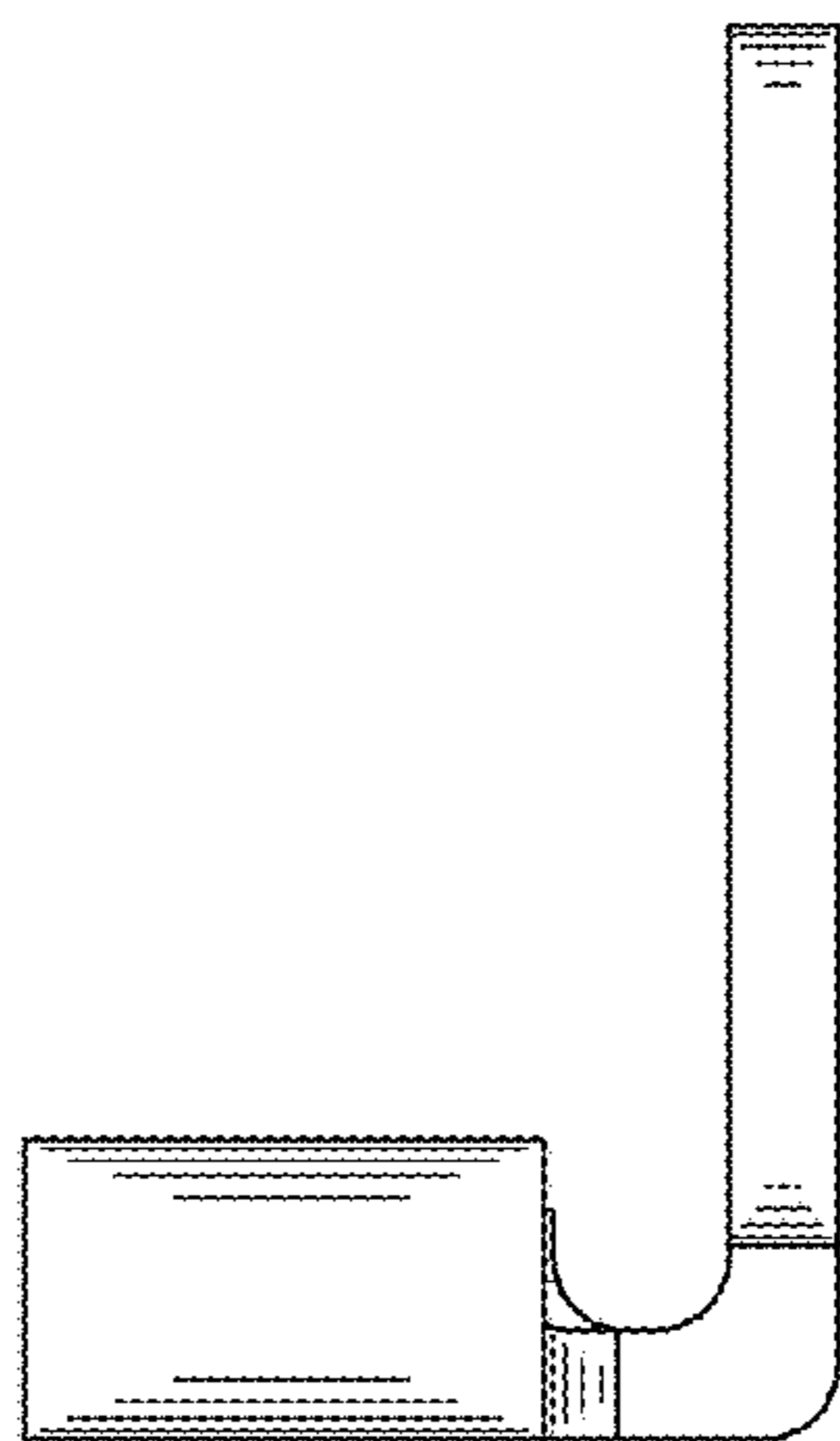


Fig. 7

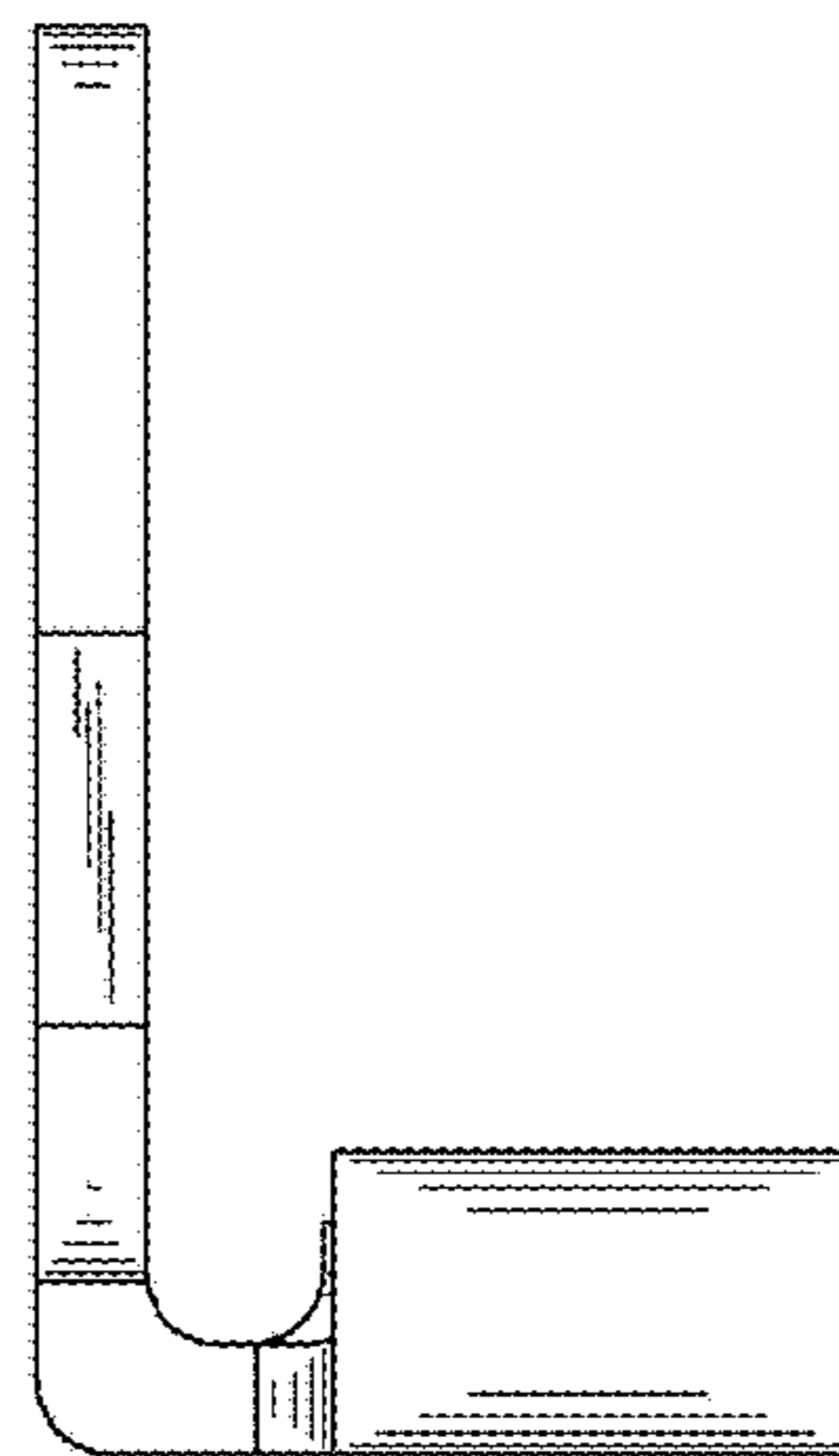


Fig. 8

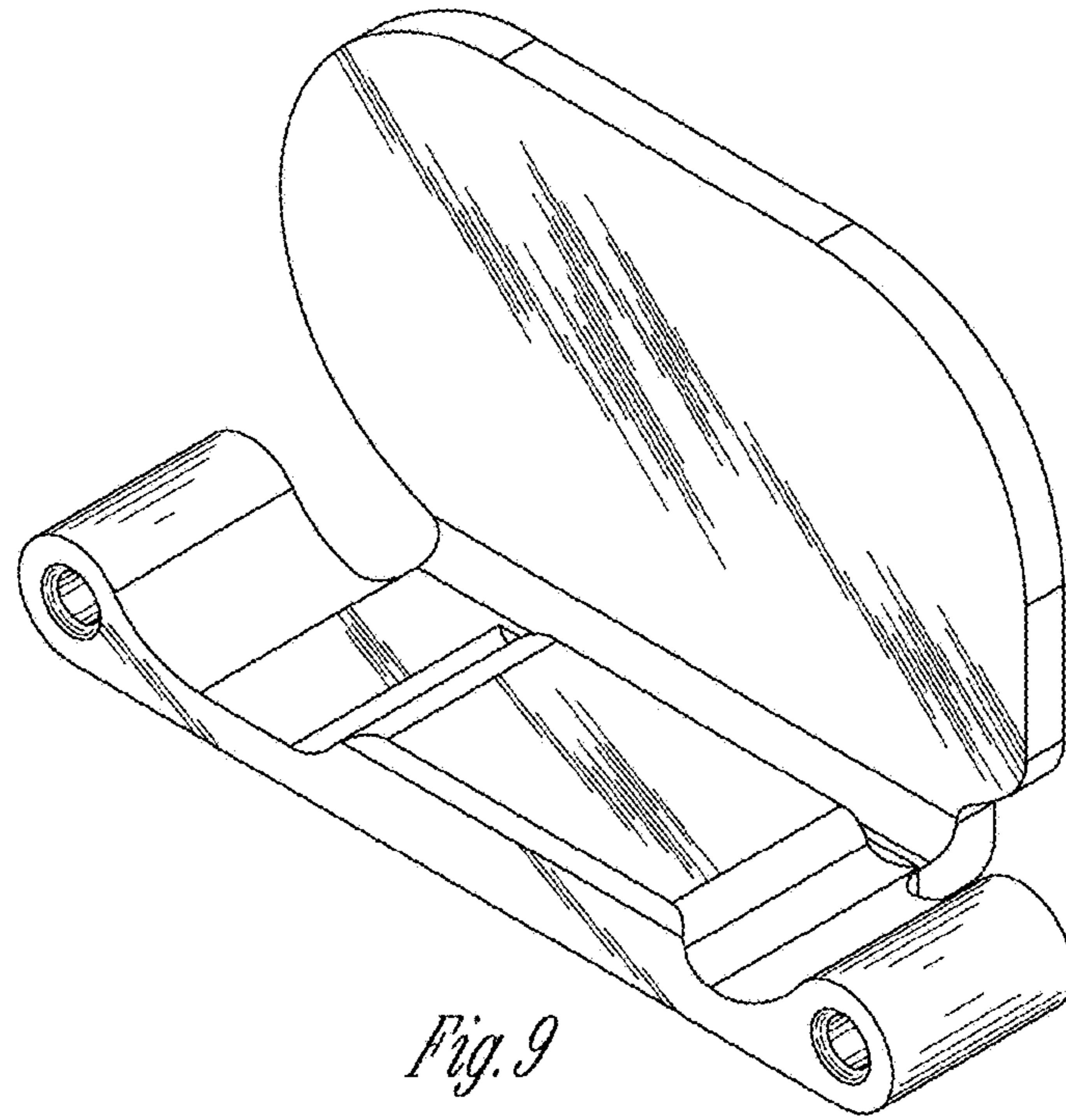


Fig. 9

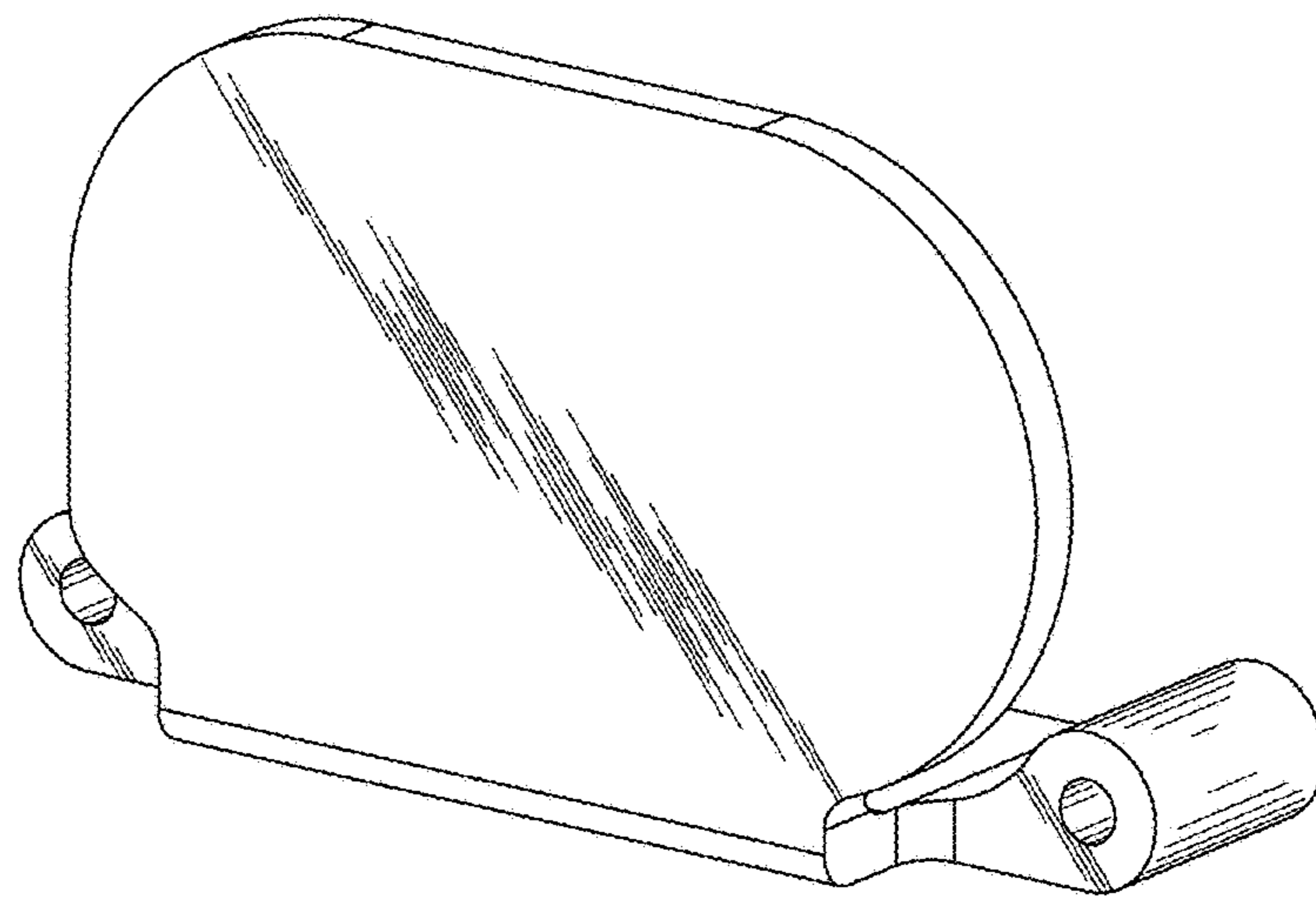


Fig. 10

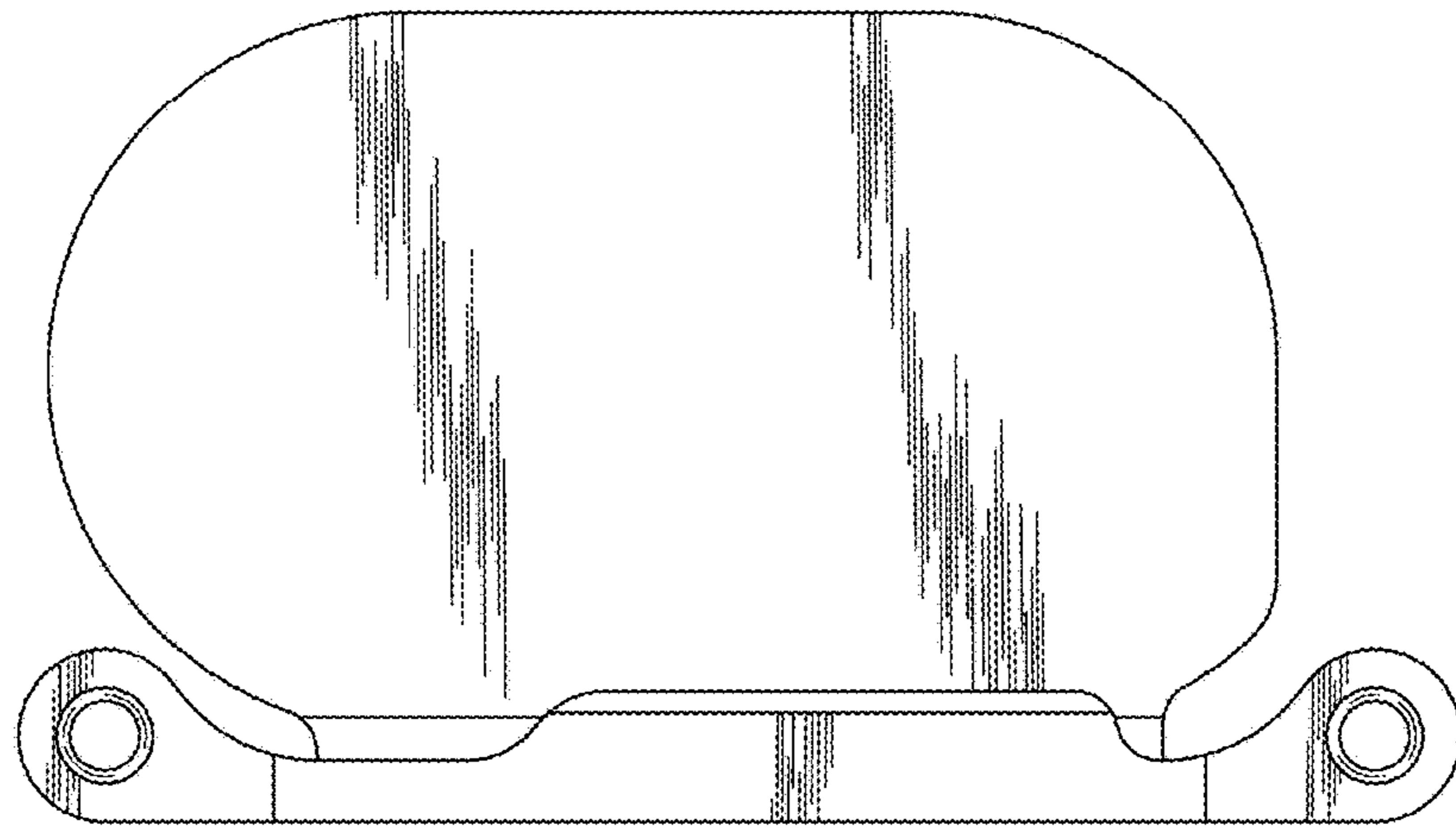


Fig. 11

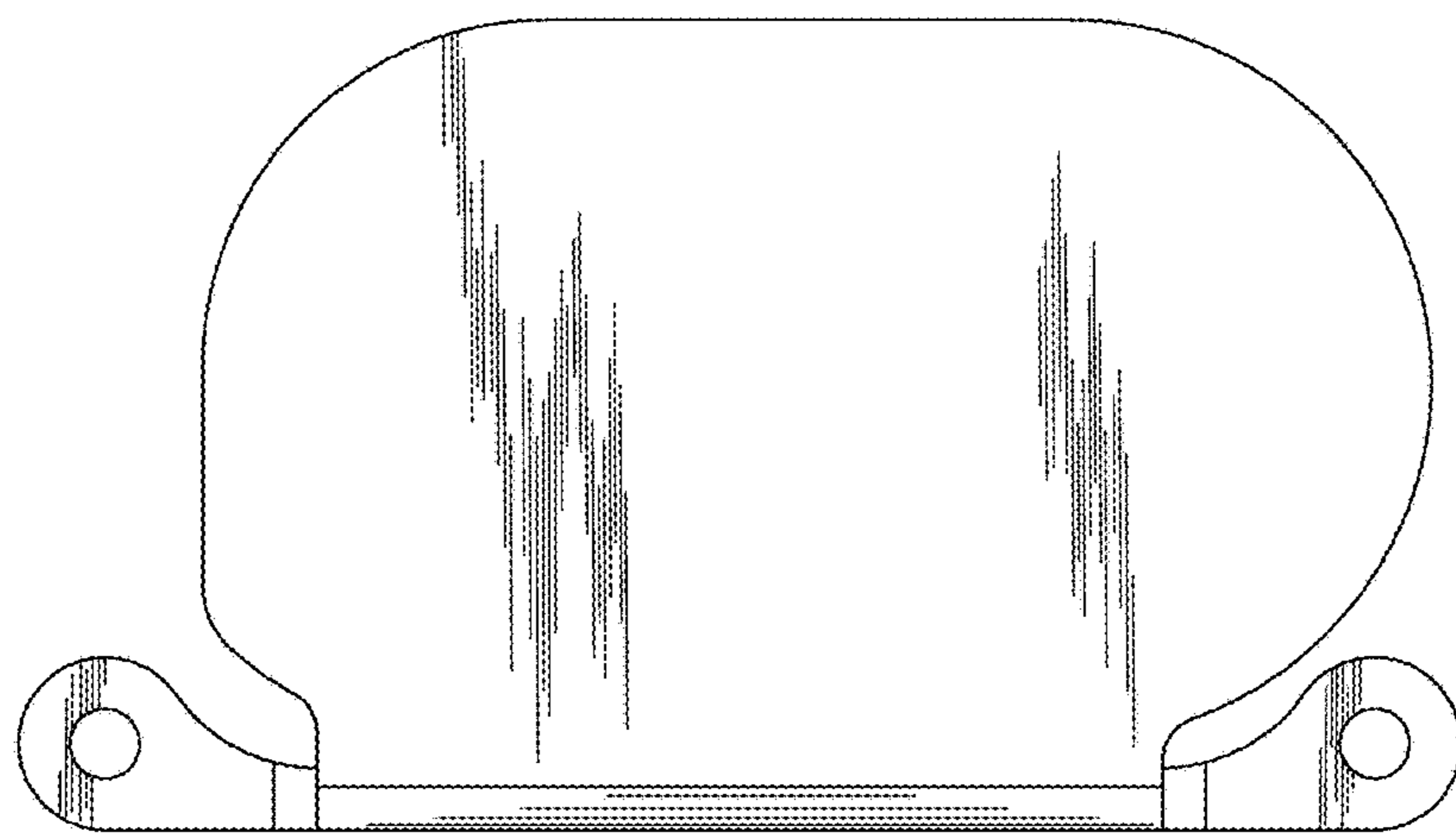


Fig. 12

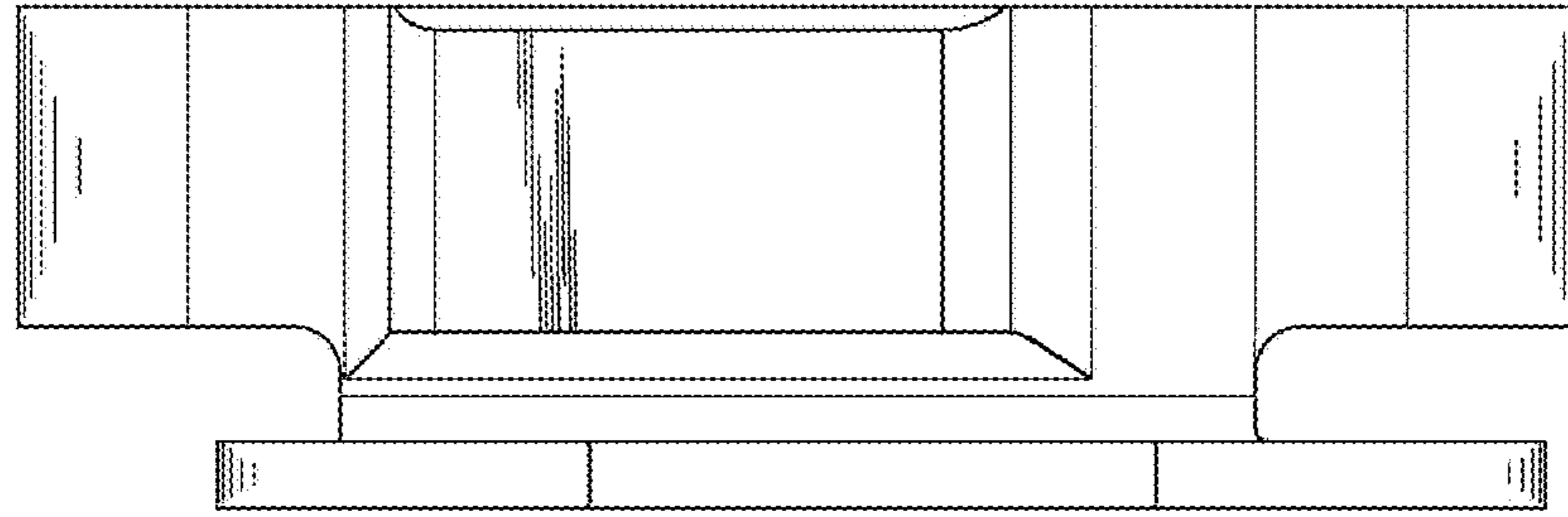


Fig. 13

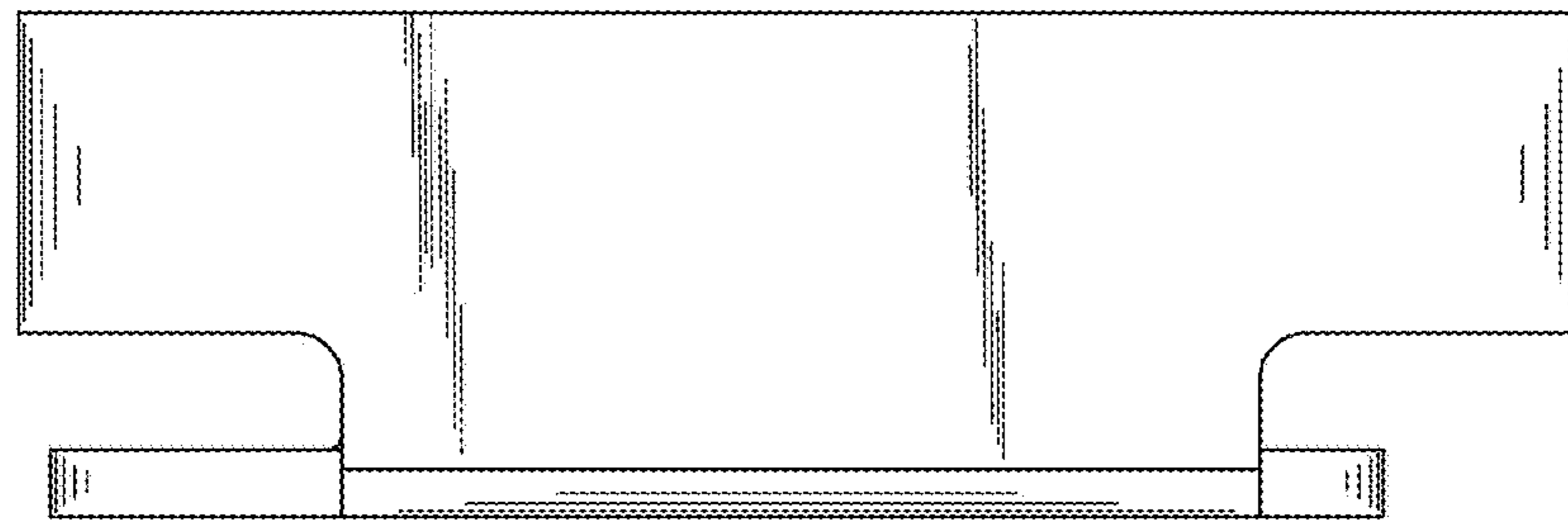


Fig. 14

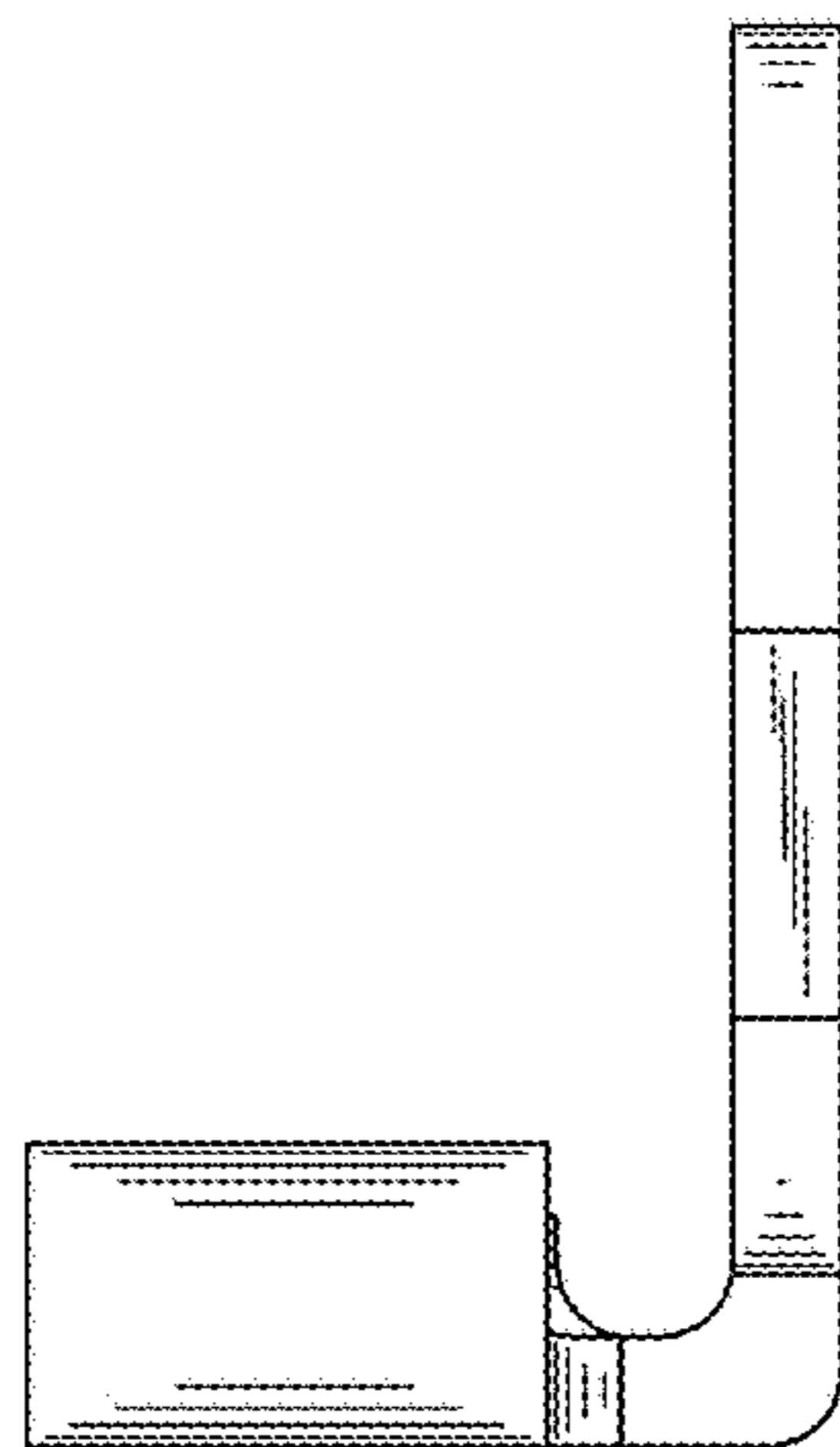


Fig. 15

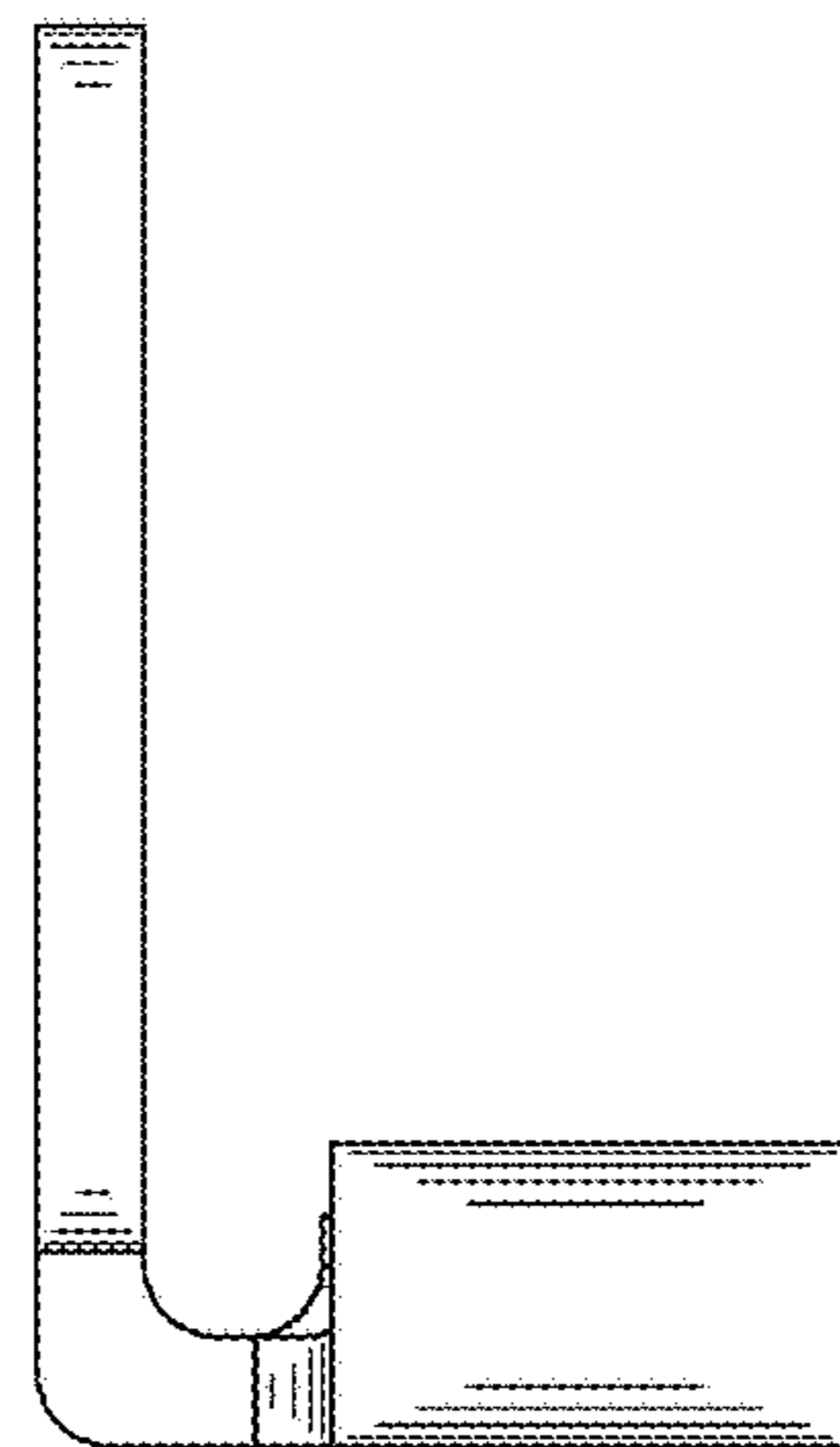


Fig. 16