



US00D849175S

(12) **United States Design Patent**
Willits

(10) **Patent No.:** **US D849,175 S**

(45) **Date of Patent:** **** May 21, 2019**

(54) **LOWER RECEIVER WITH MAG-WELL CUT OUT**

(71) Applicant: **F-1 Research, LLC - Patents Series,**
Spring, TX (US)

(72) Inventor: **Craig Larue Willits,** Spring, TX (US)

(73) Assignee: **F-1 Research, LLC - Patent Series,**
Spring, TX (US)

(**) Term: **15 Years**

(21) Appl. No.: **29/614,525**

(22) Filed: **Aug. 21, 2017**

(51) **LOC (11) Cl.** **22-01**

(52) **U.S. Cl.**
USPC **D22/108**

(58) **Field of Classification Search**
USPC D22/100, 101, 103, 106, 108, 109, 110,
D22/111, 117, 199; D21/300, 301, 570,
D21/573, 574, 575

CPC F41B 5/14; F41B 5/00; F41C 27/00; F41C
23/14; F41C 23/06; F41C 3/00; F41C
7/00; F41C 23/20; F41C 23/08; F41C
23/10; F41G 11/003; F41G 1/18; F41G
1/38; F41G 1/545

See application file for complete search history.

(56) **References Cited**

U.S. PATENT DOCUMENTS

D603,011 S *	10/2009	Fitzpatrick	D22/108
D636,832 S *	4/2011	Mayberry	D22/108
8,127,480 B1 *	3/2012	McManus	F41A 9/82
				42/49.02
8,479,635 B2 *	7/2013	Overstreet	F41A 17/36
				42/70.02
D689,974 S *	9/2013	Sharps	D22/108
D713,485 S *	9/2014	Firpo, I	D22/108
D726,862 S *	4/2015	Crume, Sr.	D22/108
D726,863 S *	4/2015	Crume, Sr.	D22/108

D727,454 S *	4/2015	Robinson	D22/108
9,021,733 B1 *	5/2015	DiChario	F41A 3/66
				42/69.01

D735,288 S *	7/2015	Gomez	D22/108
D746,936 S *	1/2016	Huang	D22/108
D755,338 S *	5/2016	Slank	D22/108

(Continued)

OTHER PUBLICATIONS

<http://www.gunsandammo.com/rifles/ar-15/the-minimalism-of-the-mg-arms-taranis2/>—Published Apr. 5, 2018.*

(Continued)

Primary Examiner — Khawaja Anwar

Assistant Examiner — Mojtaba Tehrani

(74) *Attorney, Agent, or Firm* — Dossey & Jones, PLLC;
Phillip Black; James P. Dossey

(57) **CLAIM**

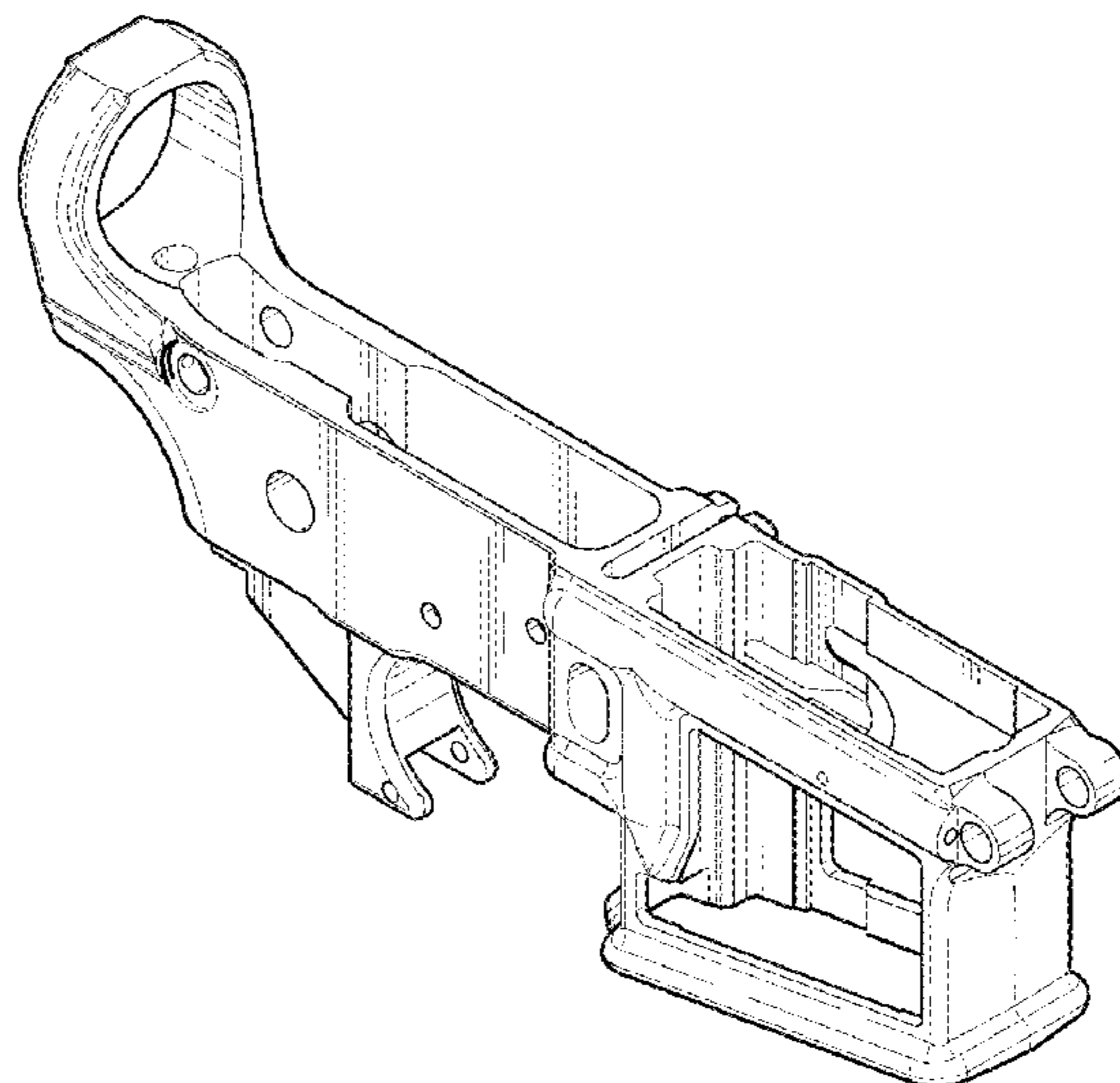
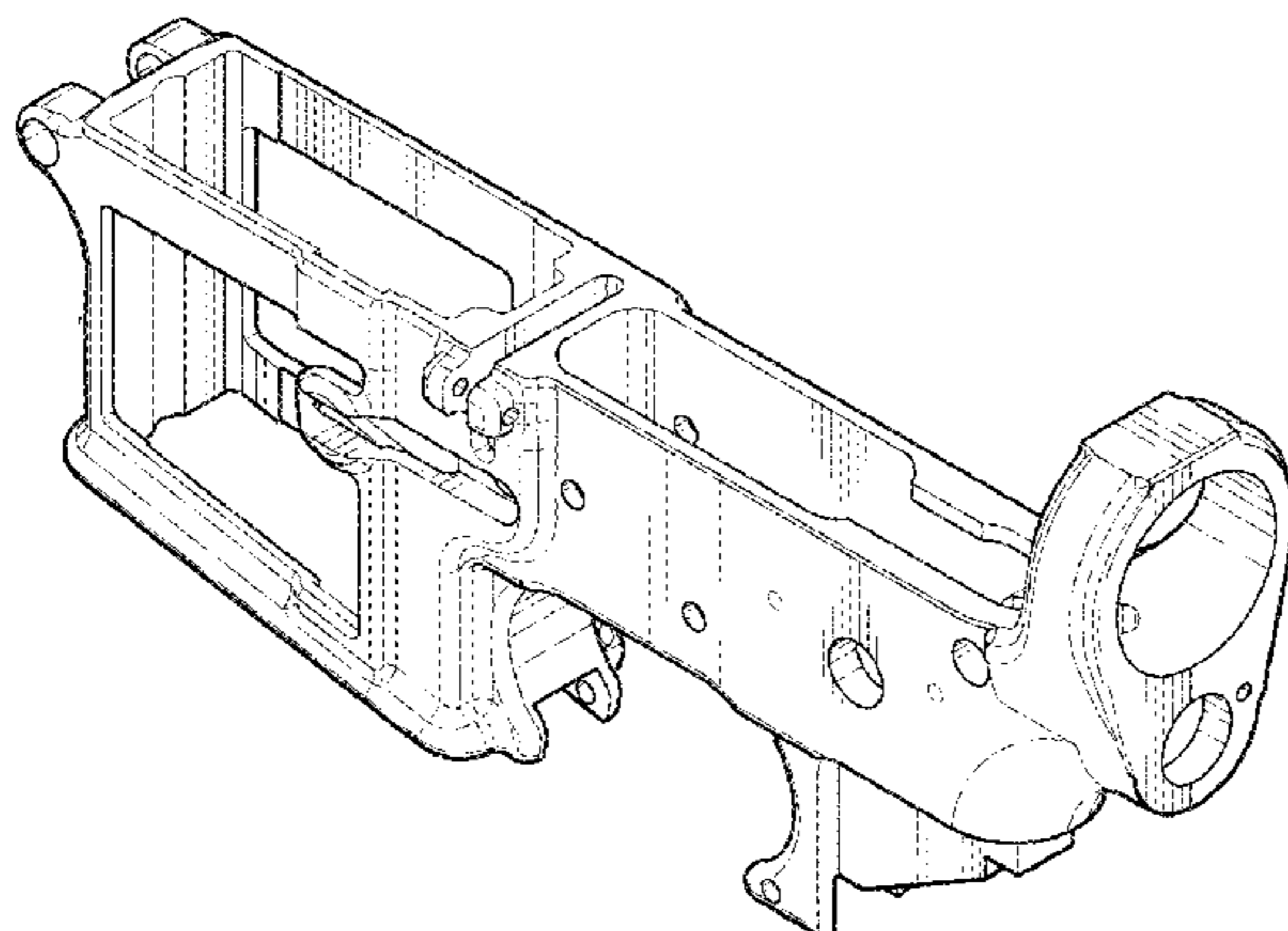
The ornamental design for a lower receiver with mag-well cut out, as shown and described.

DESCRIPTION

FIG. 1 is a top-left perspective view of a lower receiver with mag-well cut out disclosed herein;
FIG. 2 is a top-right perspective view thereof;
FIG. 3 is a right-side elevation view thereof;
FIG. 4 is a left-side elevation view thereof;
FIG. 5 is a top plan view thereof;
FIG. 6 is a bottom plan view thereof;
FIG. 7 is a rear elevation view thereof; and,
FIG. 8 is a front elevation view thereof.

The surface shading presented in the drawings is for illustrating the contours and appearance of the claimed surface upon which it is illustrated, but is not actually seen in the surfaces of the lower receiver with mag-well cut out. The broken lines are used to show unclaimed portions of the lower receiver with mag-well cut out and form not part of the claimed design.

1 Claim, 3 Drawing Sheets



(56)

References Cited

U.S. PATENT DOCUMENTS

D760,860 S * 7/2016 Vincent D22/108
D764,005 S * 8/2016 Neil D22/108
D765,211 S * 8/2016 Huang D22/108
9,482,478 B2 * 11/2016 Newman F41A 17/38
D773,585 S * 12/2016 Miller, III D22/108
D773,586 S * 12/2016 Sharps D22/108
D795,983 S * 8/2017 Cross D22/108
D796,619 S * 9/2017 Morris D22/108
D805,154 S * 12/2017 Steele D22/108
D820,937 S * 6/2018 Hiler, Jr. D22/108
D823,977 S * 7/2018 Demonico D22/108
D823,978 S * 7/2018 Demonico D22/108
2012/0167424 A1 * 7/2012 Gomez F41A 17/42
42/14
2013/0340312 A1 * 12/2013 Fulton F41C 23/14
42/73
2016/0273857 A1 * 9/2016 Pettit F41A 3/66
2016/0334177 A1 * 11/2016 Green F41A 3/66

OTHER PUBLICATIONS

<https://www.rainierarms.com/lead-star-arms-lsa-15-skeletonized-ar-15-receiver-set-black/>—Retrieved Jul. 26, 2018.*
<https://www.rainierarms.com/f-1-firearms-udr-15-3g-style-2-stripped-universal-billet-lower-receiver/>—Retrieved Jul. 26, 2018.*

* cited by examiner

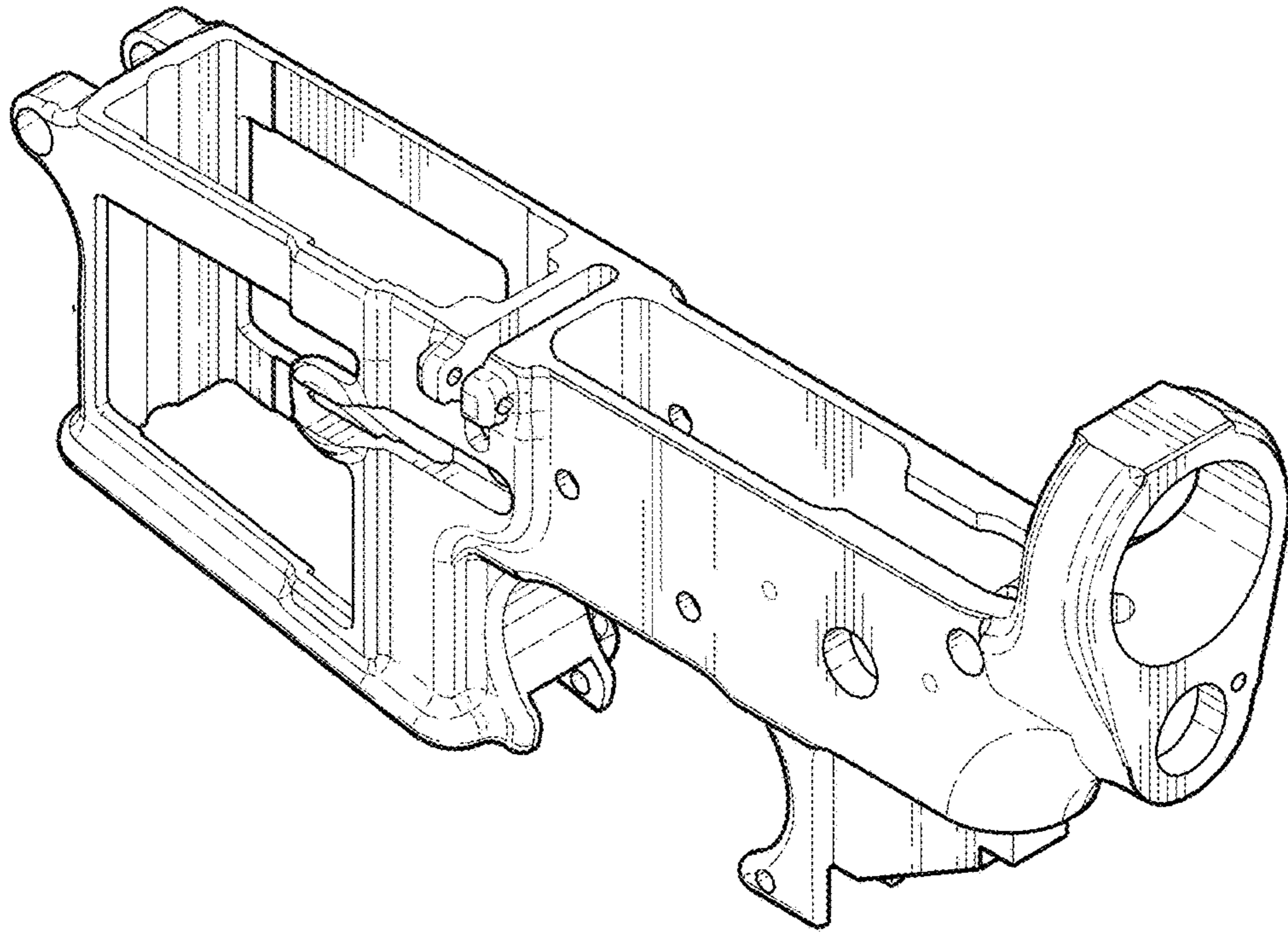


FIG. 1

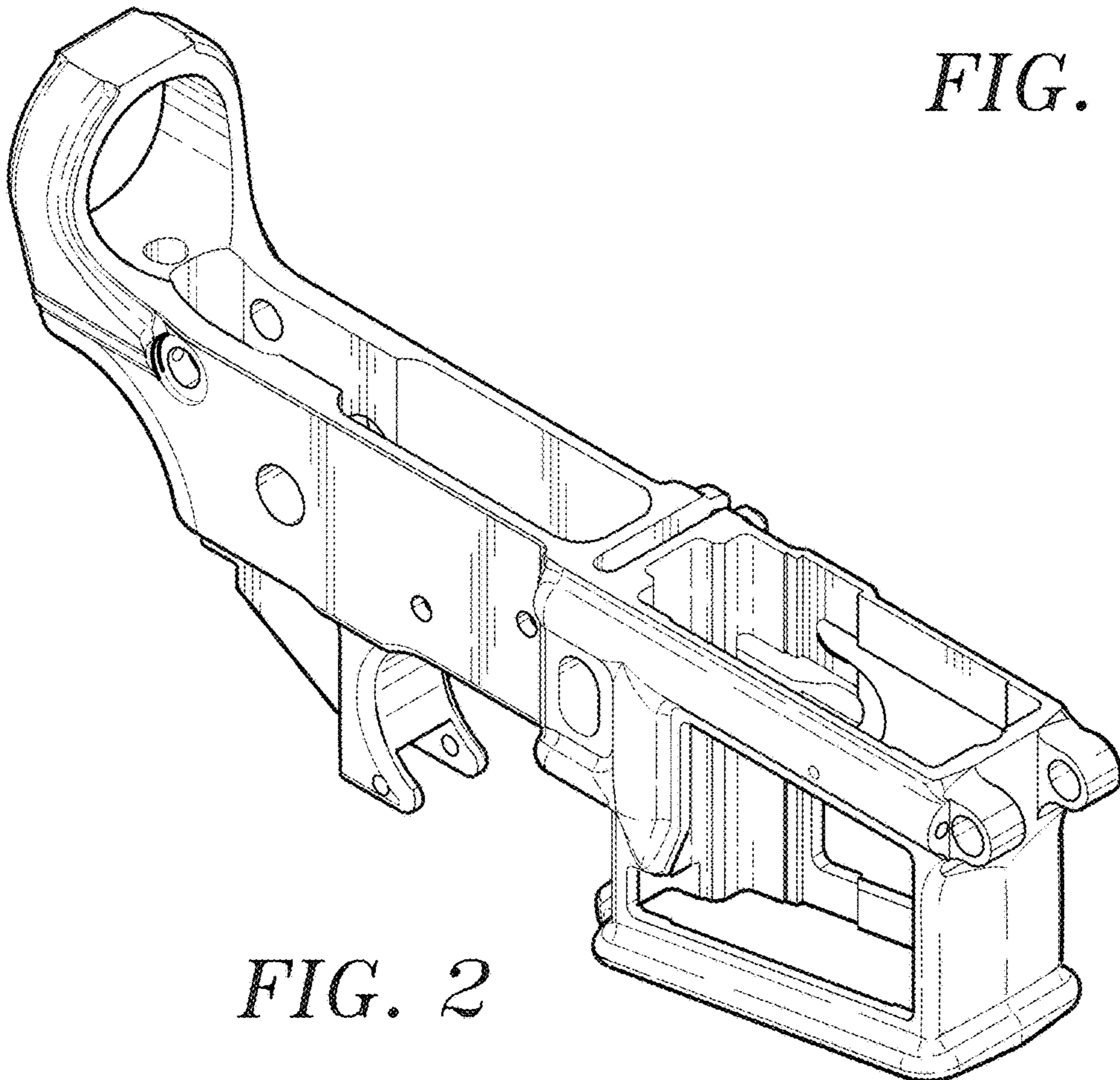


FIG. 2

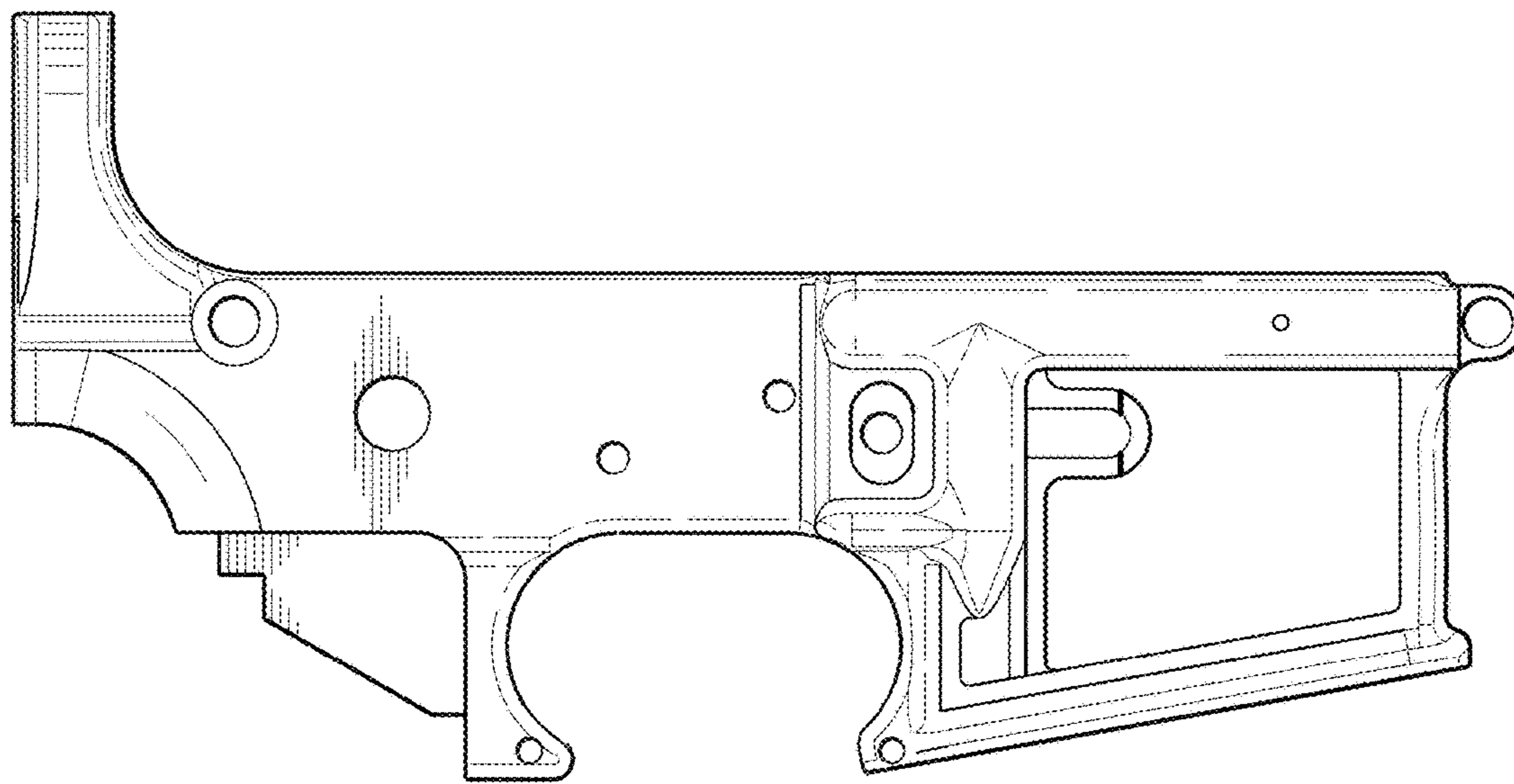


FIG. 3

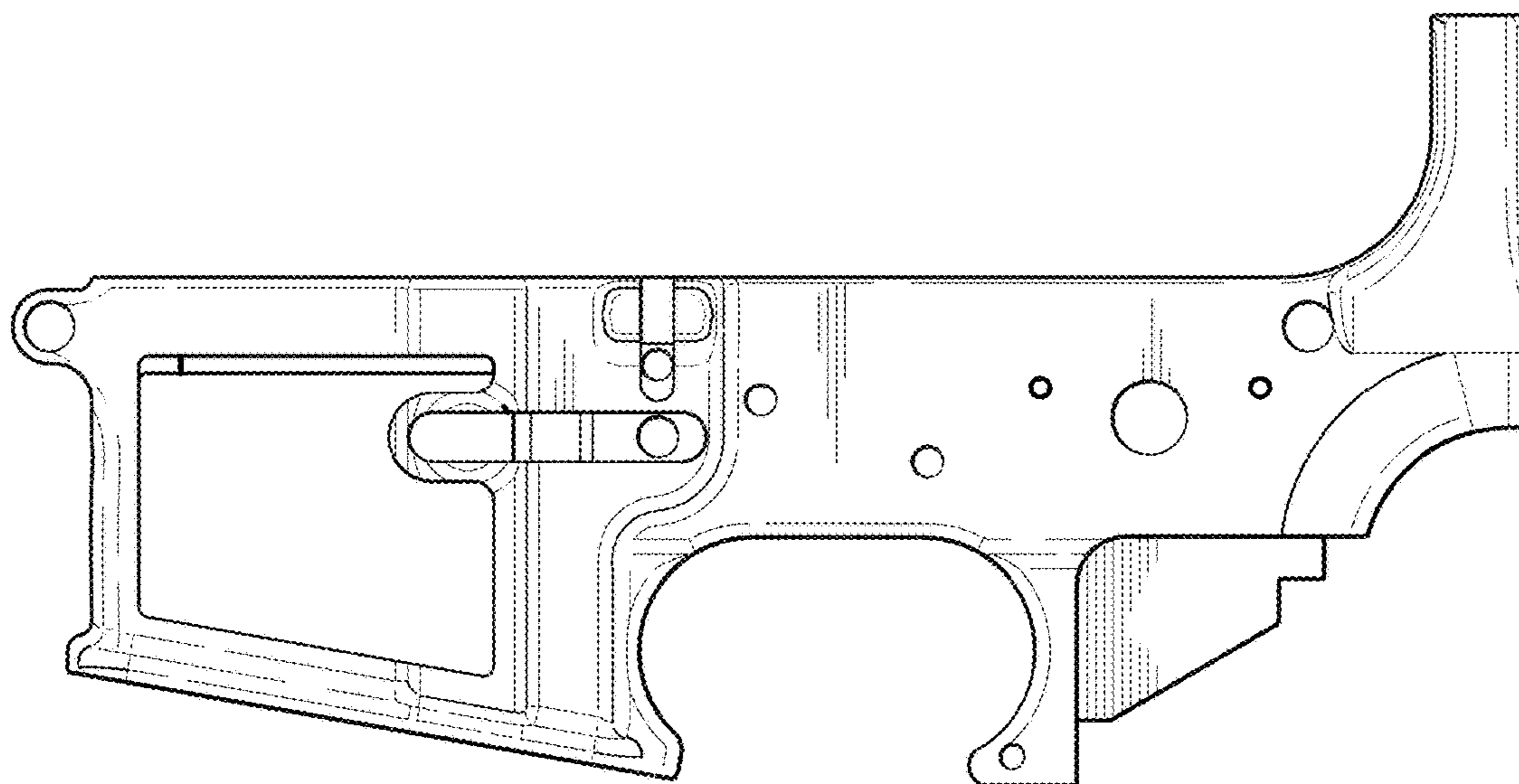


FIG. 4

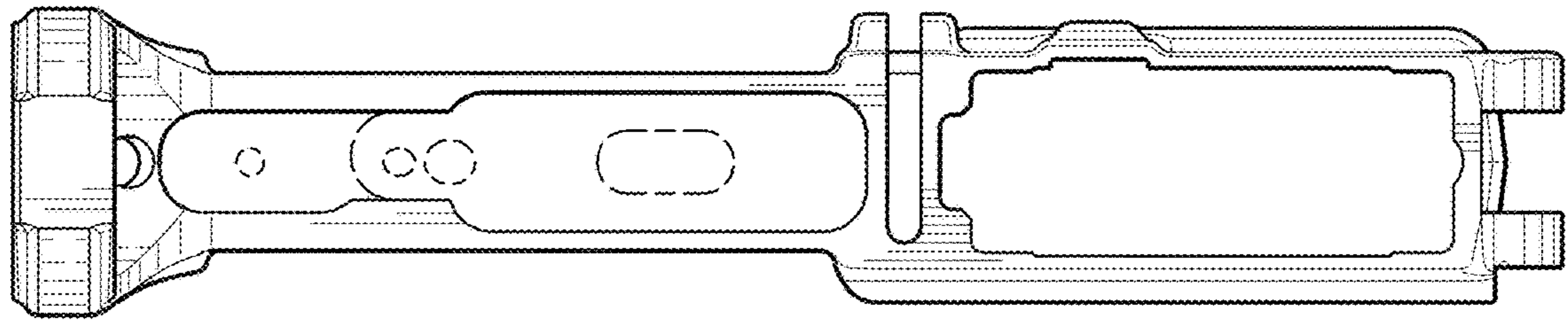


FIG. 5

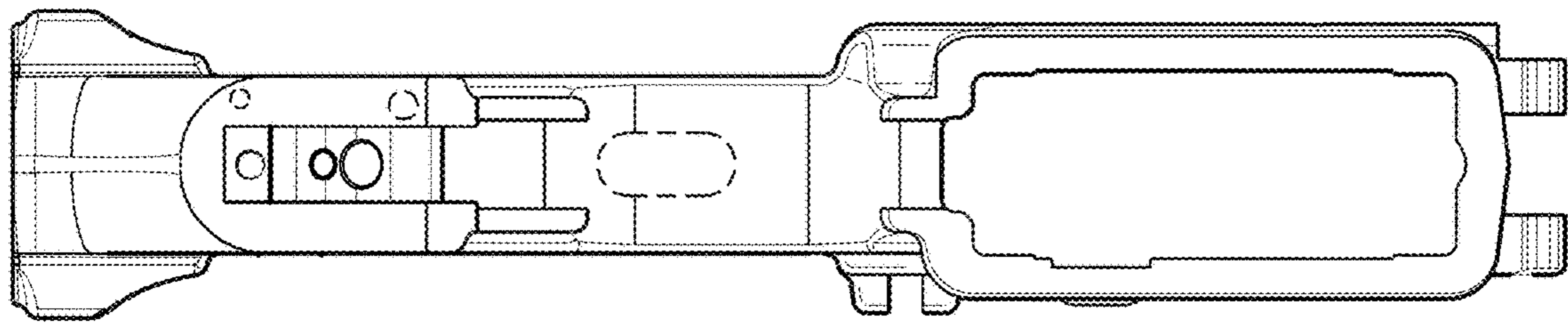


FIG. 6

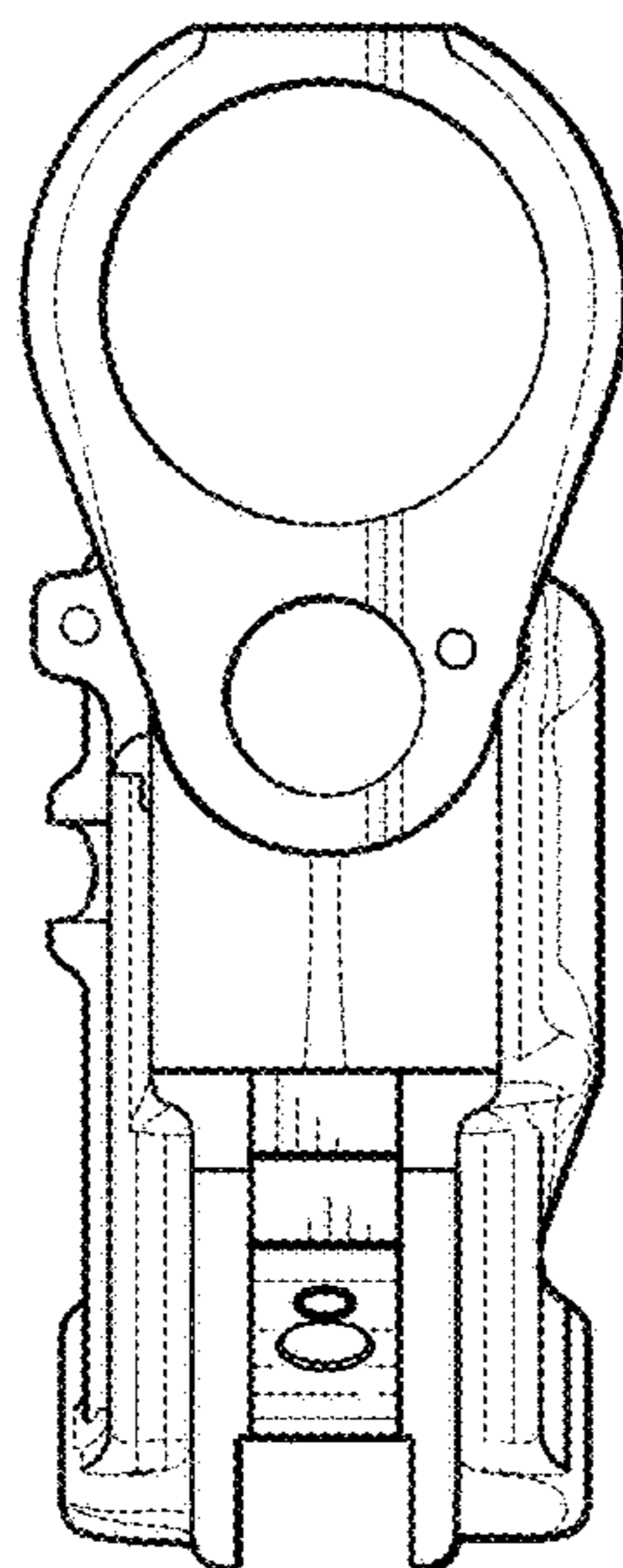


FIG. 7

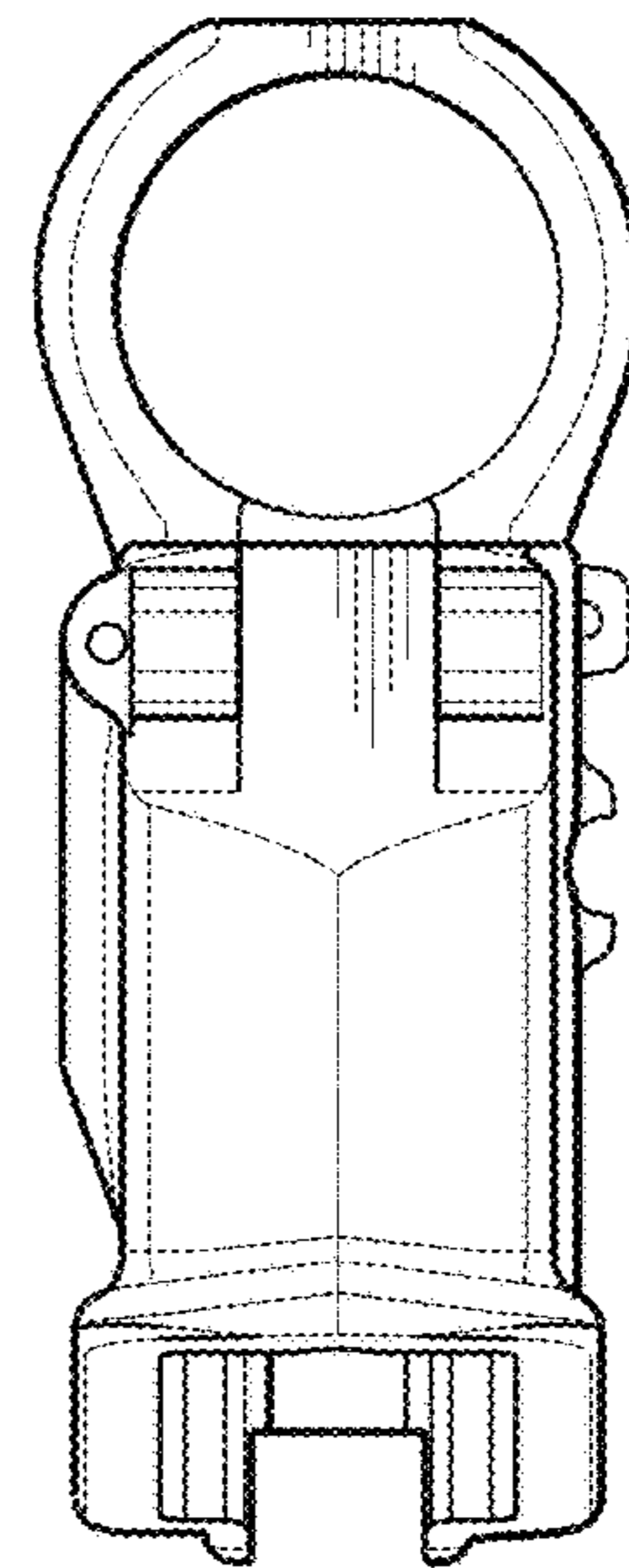


FIG. 8