

US00D849165S

(12) **United States Design Patent** (10) **Patent No.:** **US D849,165 S**
Westrick (45) **Date of Patent:** **** May 21, 2019**

(54) **HEAD FOR A GOLF PUTTER**
(71) Applicant: **Matthew Westrick**, Portland, OR (US)
(72) Inventor: **Matthew Westrick**, Portland, OR (US)
(**) Term: **15 Years**
(21) Appl. No.: **29/635,502**
(22) Filed: **Jan. 31, 2018**
(51) **LOC (11) Cl.** **21-02**
(52) **U.S. Cl.**
USPC **D21/736**
(58) **Field of Classification Search**
USPC D21/736-746
CPC A63B 53/00; A63B 53/04; A63B 53/007;
A63B 53/065; A63B 53/0487; A63B
60/00; A63B 60/46
See application file for complete search history.

D421,069 S * 2/2000 Moore D21/738
D444,832 S * 7/2001 Pinter D21/736
D521,581 S * 5/2006 Johnson D21/736
D682,958 S * 5/2013 Gishi D21/738
D740,900 S * 10/2015 Molgaard D21/738

* cited by examiner

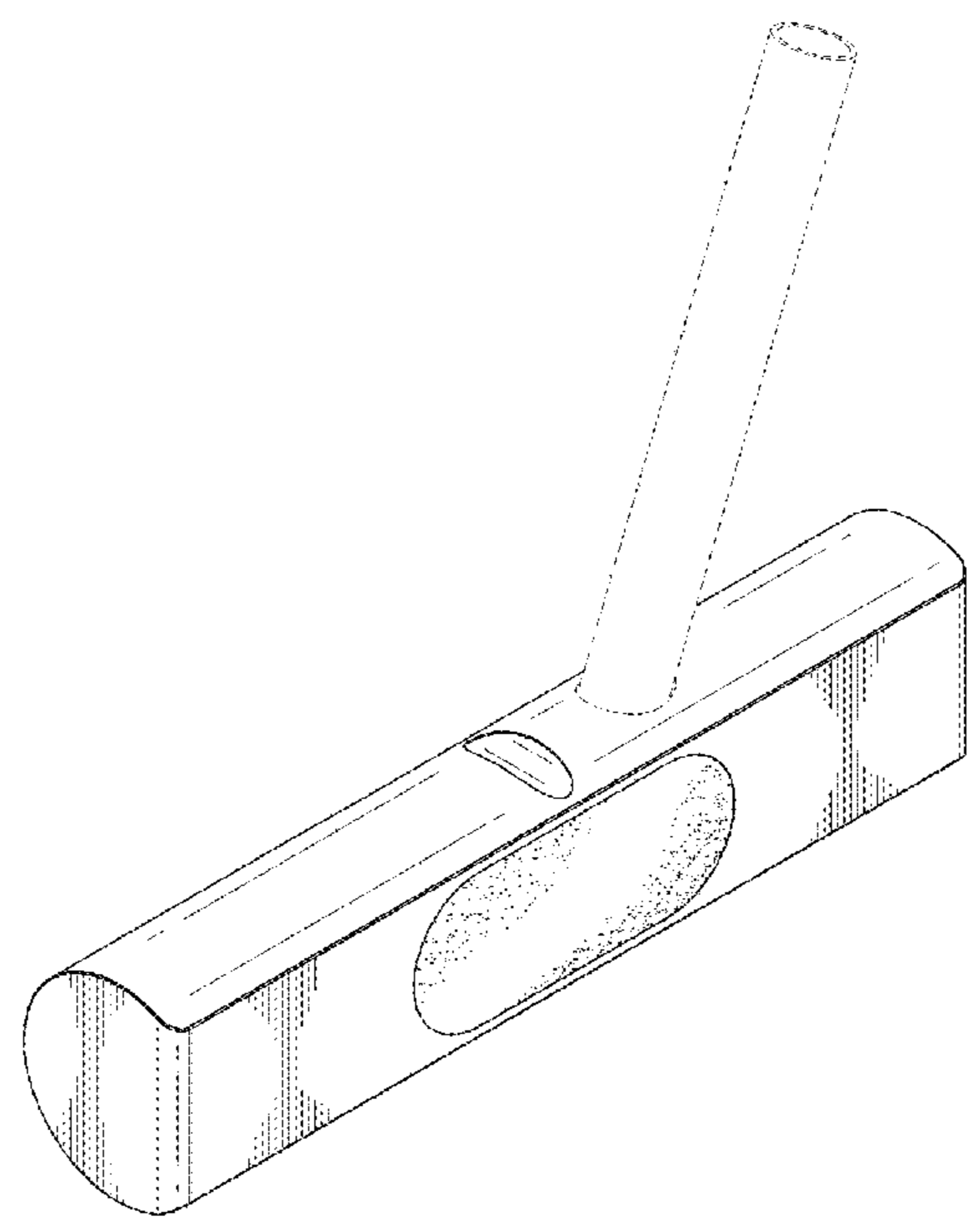
Primary Examiner — Mitchell I. Siegel
(74) *Attorney, Agent, or Firm* — Standley Law Group
LLP; Stephen Grant

(56) **References Cited**
U.S. PATENT DOCUMENTS
3,394,937 A * 7/1968 Allport A63B 53/007
273/129 R
D303,559 S * 9/1989 Florian D21/738
D364,664 S * 11/1995 McNamara D21/741
D382,614 S * 8/1997 Powell D21/736
D399,546 S * 10/1998 Polzin D21/738
D401,990 S * 12/1998 Berkebile D21/738
D404,781 S * 1/1999 Reis, Jr. D21/736
D410,513 S * 6/1999 Gardner D21/736
D416,965 S * 11/1999 Clarkson D21/744

(57) **CLAIM**
The ornamental design for a head for a golf putter, as shown
and described.

DESCRIPTION
FIG. 1 is a top front perspective view of a head for a golf
putter;
FIG. 2 is a front elevation view thereof;
FIG. 3 is a rear elevation view thereof;
FIG. 4 is a right side elevation view thereof;
FIG. 5 is a left side elevation view thereof;
FIG. 6 is a top plan view thereof; and
FIG. 7 is a bottom plan view thereof; and,
FIG. 8 is a top rear perspective view thereof.
The broken line showing of the hosel and shaft is included
for the purpose of illustrating environmental elements for
use by a right-handed golfer and forms no part of the
claimed design.

1 Claim, 6 Drawing Sheets



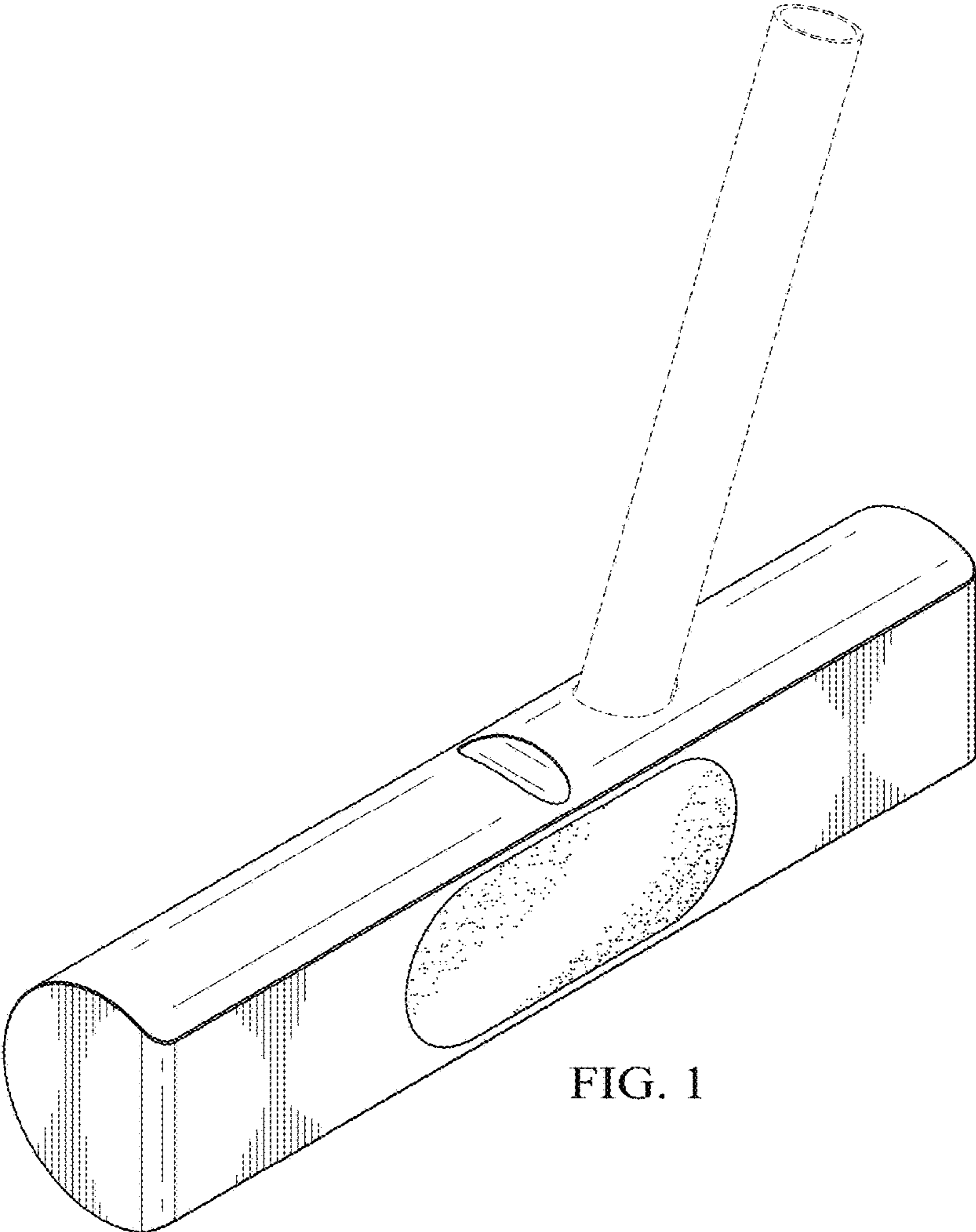


FIG. 1

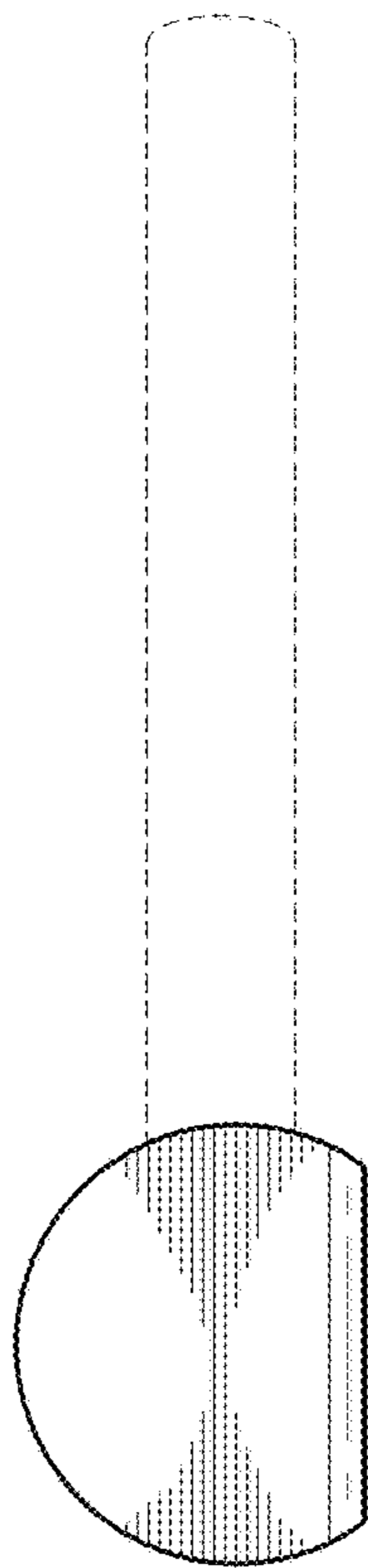


FIG. 2

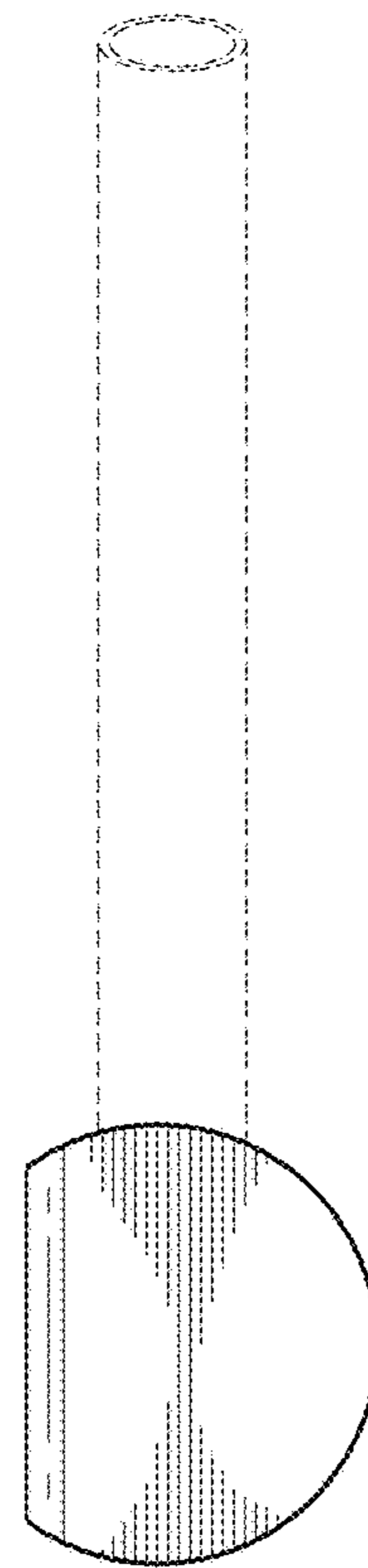


FIG. 3

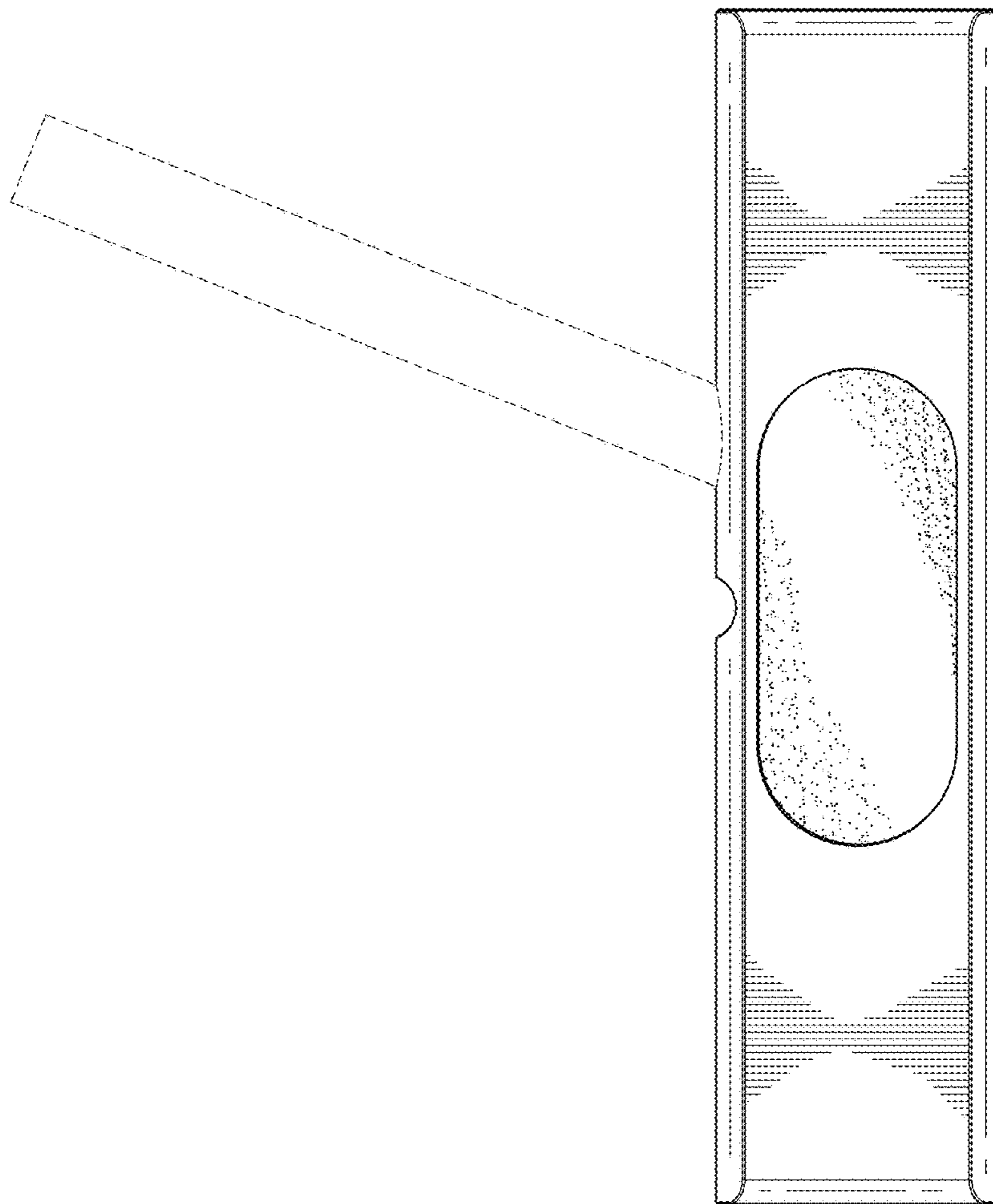


FIG. 4

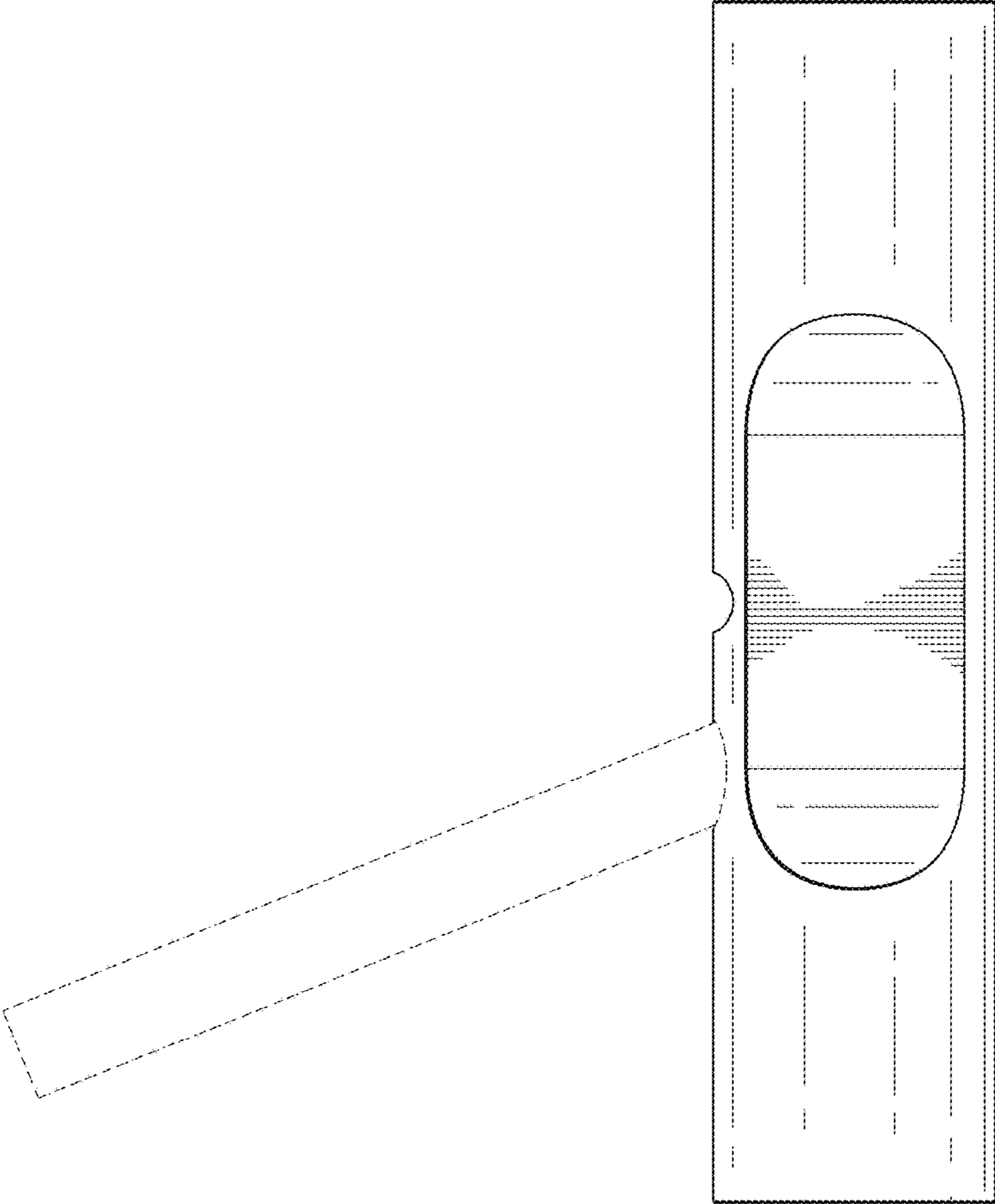


FIG. 5

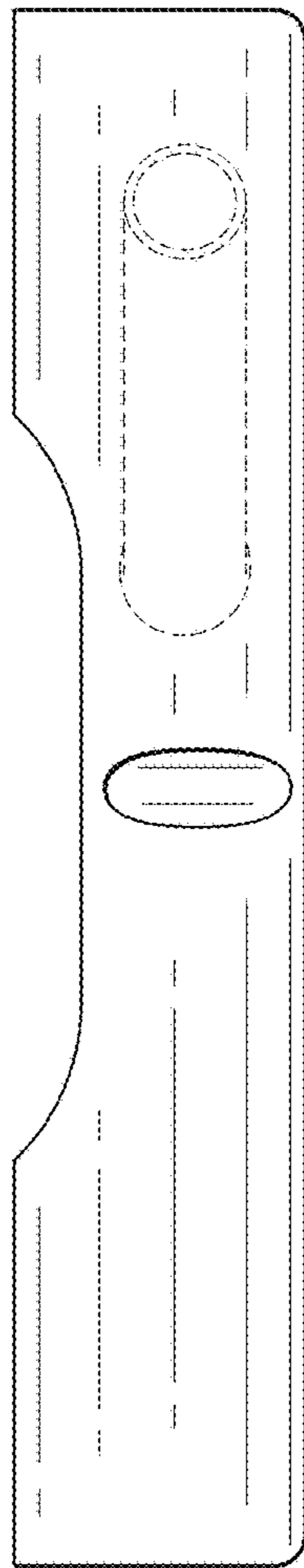


FIG. 6

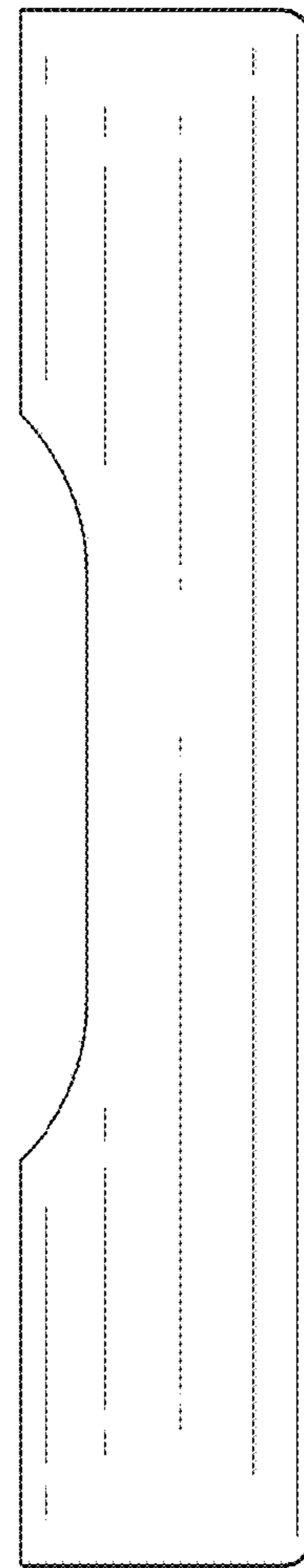


FIG. 7

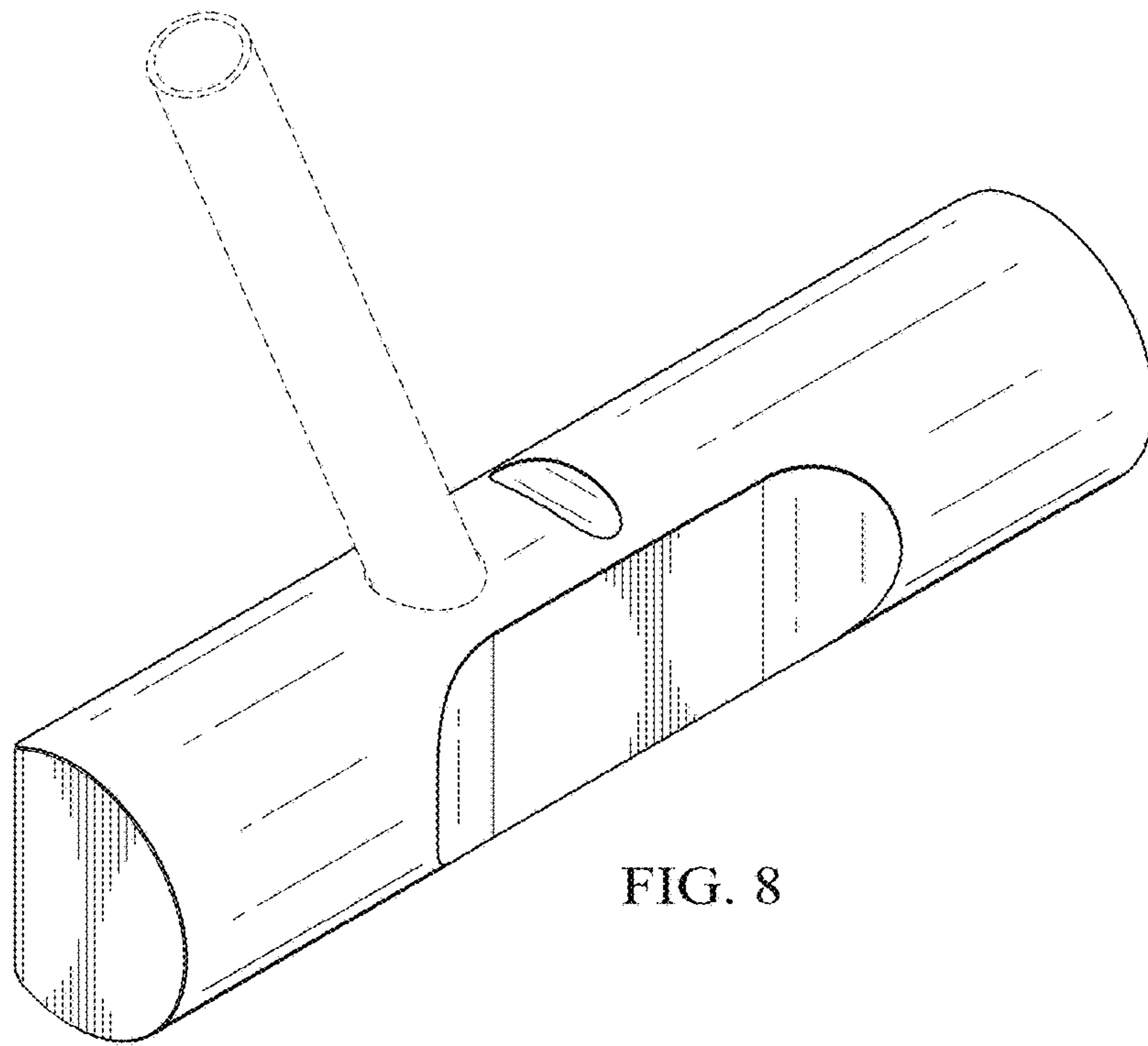


FIG. 8