

US00D849160S

(12) **United States Design Patent** (10) **Patent No.:** **US D849,160 S**
Lau (45) **Date of Patent:** **** May 21, 2019**

(54) **PULL-UP BAR**
 (71) Applicant: **Tak Piu Lau**, Hong Kong (CN)
 (72) Inventor: **Tak Piu Lau**, Hong Kong (CN)
 (**) Term: **15 Years**
 (21) Appl. No.: **29/673,585**
 (22) Filed: **Dec. 17, 2018**

Related U.S. Application Data

(62) Division of application No. 29/667,187, filed on Oct. 19, 2018.
 (51) **LOC (11) Cl.** **21-02**
 (52) **U.S. Cl.**
 USPC **D21/686**
 (58) **Field of Classification Search**
 USPC D21/673, 679, 682, 694, 662, 684, 686,
 D21/691; 482/139, 93, 98, 38, 39, 108,
 482/40, 148, 904; D8/45, 316
 CPC ... A63B 21/4035; A63B 1/00; A63B 21/4017;
 A63B 23/1218; A63B 21/072; A63B
 21/0724; A63B 23/12; A63B 23/1209
 See application file for complete search history.

(56) **References Cited**

U.S. PATENT DOCUMENTS

8,444,537 B1 * 5/2013 Santoro A63B 21/078
 482/104
 D686,286 S * 7/2013 Orakwusi D21/679
 9,868,006 B1 * 1/2018 Epler A63B 1/00
 2005/0250619 A1 * 11/2005 Daikeler A63B 1/00
 482/40
 2012/0046150 A1 * 2/2012 Stacey A63B 1/00
 482/131
 2012/0115683 A1 * 5/2012 Ross A63B 21/1636
 482/38

2012/0115684 A1 * 5/2012 Nguyen A63B 21/1627
 482/40
 2013/0178338 A1 * 7/2013 Ross A63B 1/00
 482/40
 2014/0094347 A1 * 4/2014 Orakwusi A63B 21/1636
 482/38
 2014/0221163 A1 * 8/2014 McBride A63B 69/0048
 482/40
 2014/0302968 A1 * 10/2014 Velikin A63B 1/00
 482/40
 2015/0005142 A1 * 1/2015 Crisp A63B 21/055
 482/129
 2015/0011367 A1 * 1/2015 Schmidt A63B 21/078
 482/104
 2015/0290488 A1 * 10/2015 Hopperstad A63B 21/078
 482/38

* cited by examiner

Primary Examiner — Austin Murphy

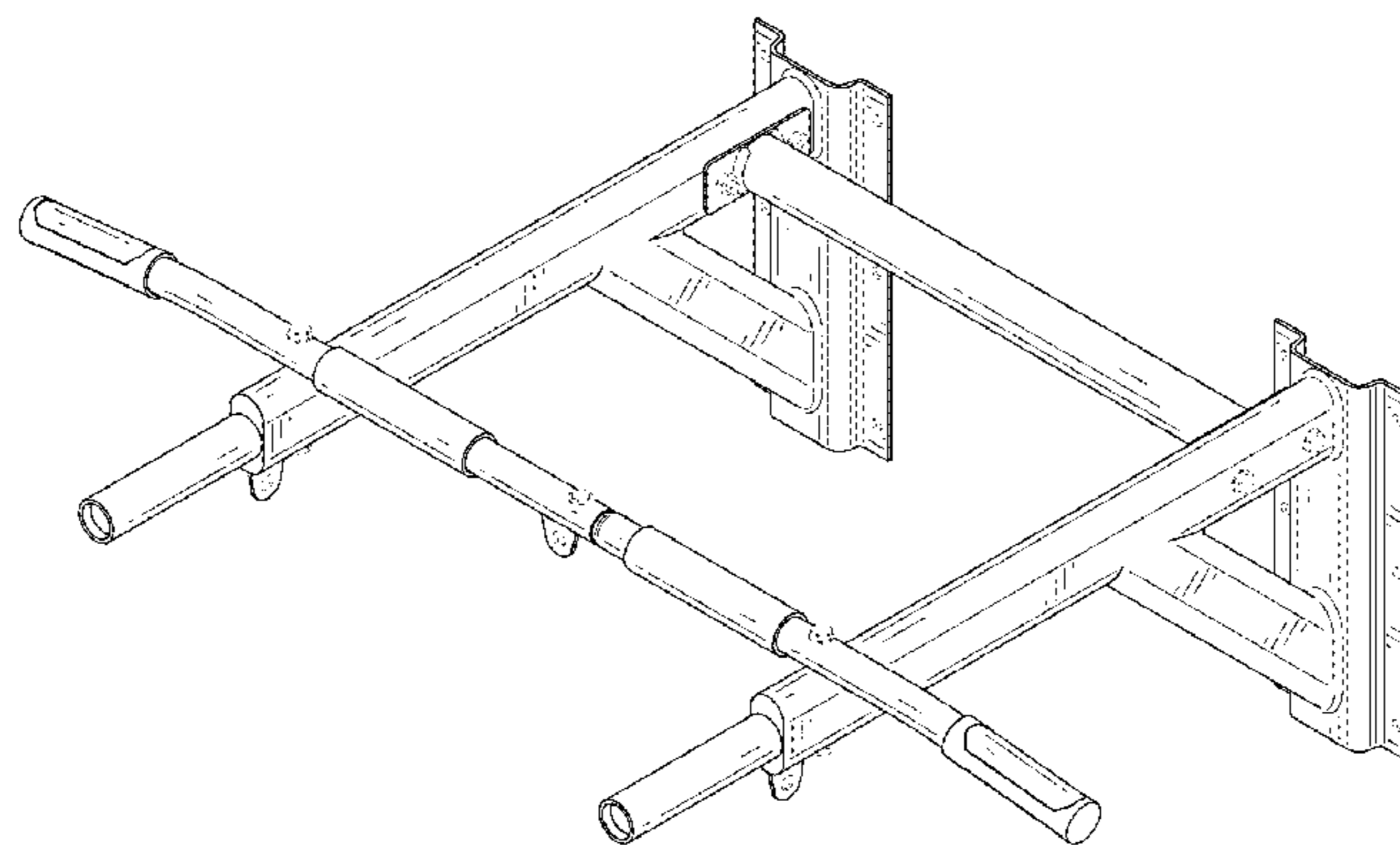
(57) **CLAIM**

The ornamental design for a pull-up bar, as shown and described.

DESCRIPTION

FIG. 1 is a first perspective view of an embodiment of a pull-up bar;
 FIG. 2 is a second perspective view thereof;
 FIG. 3 is a front elevation view thereof;
 FIG. 4 is a rear elevation view thereof;
 FIG. 5 is a left side elevation view thereof;
 FIG. 6 is a right side elevation view thereof;
 FIG. 7 is a top plan the view thereof; and,
 FIG. 8 is a bottom plan the view thereof.
 The broken lines shown in the drawings are included for the purpose of illustrating portions of the article that form no part of the claimed design.

1 Claim, 8 Drawing Sheets



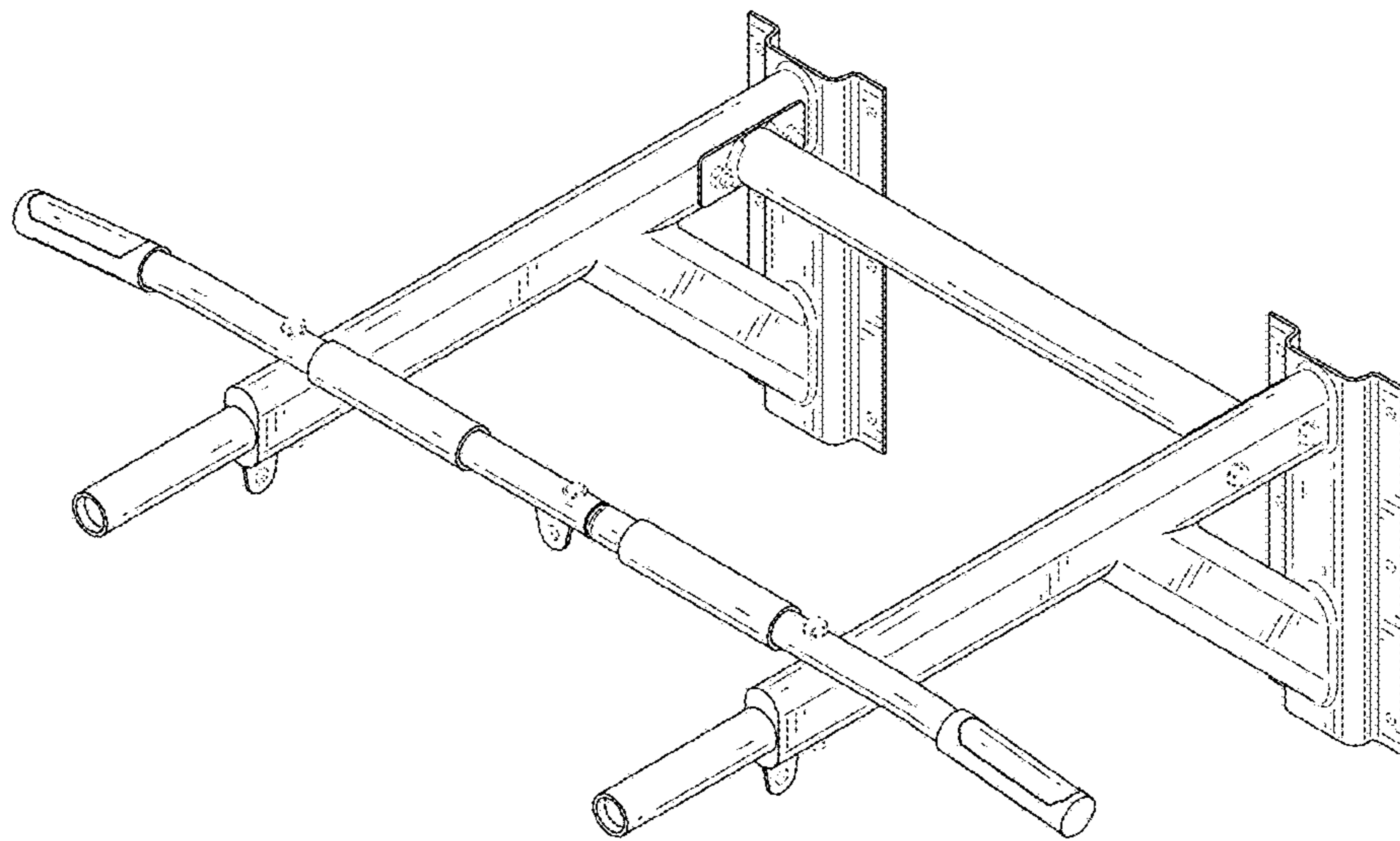


FIG. 1

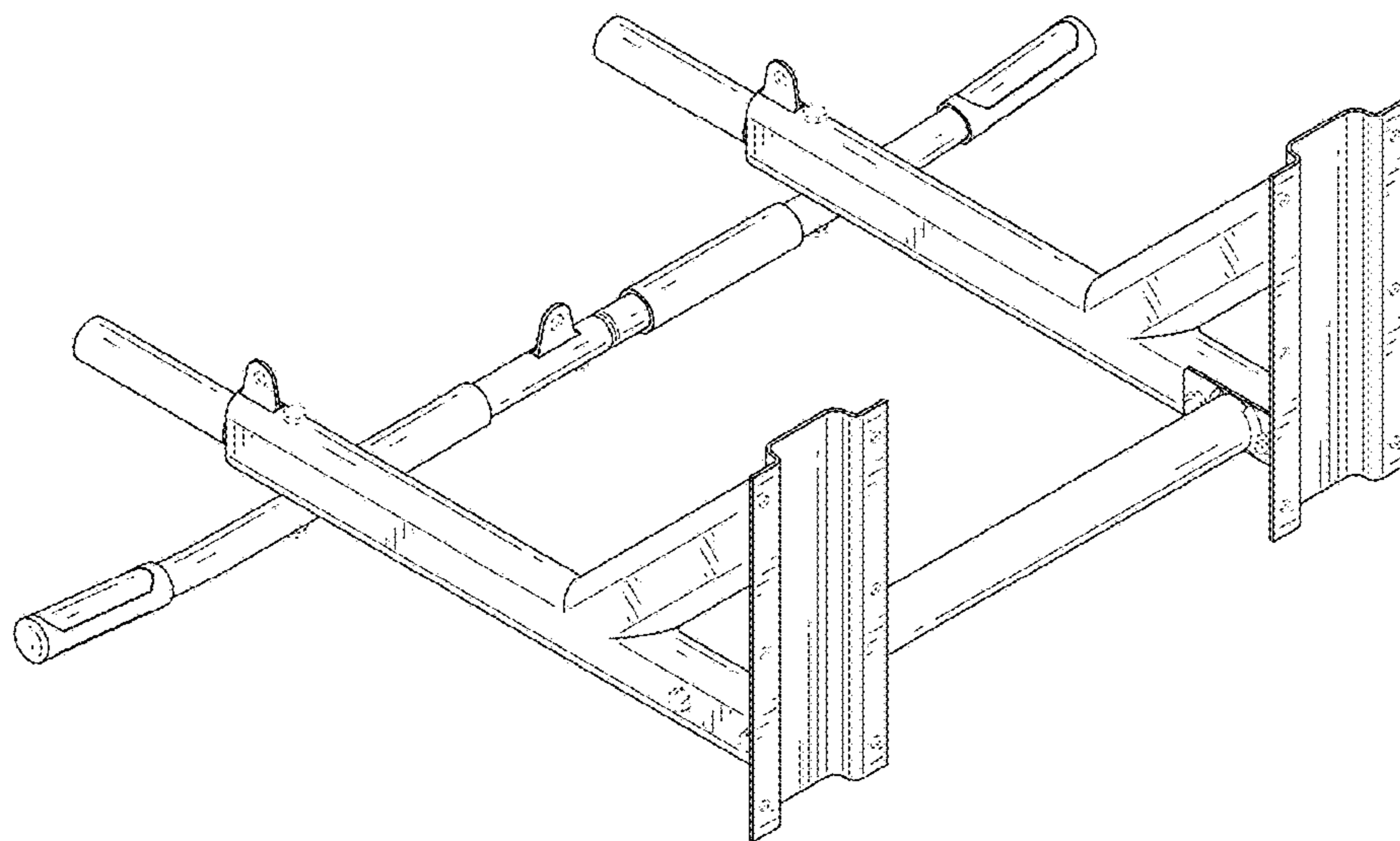


FIG. 2

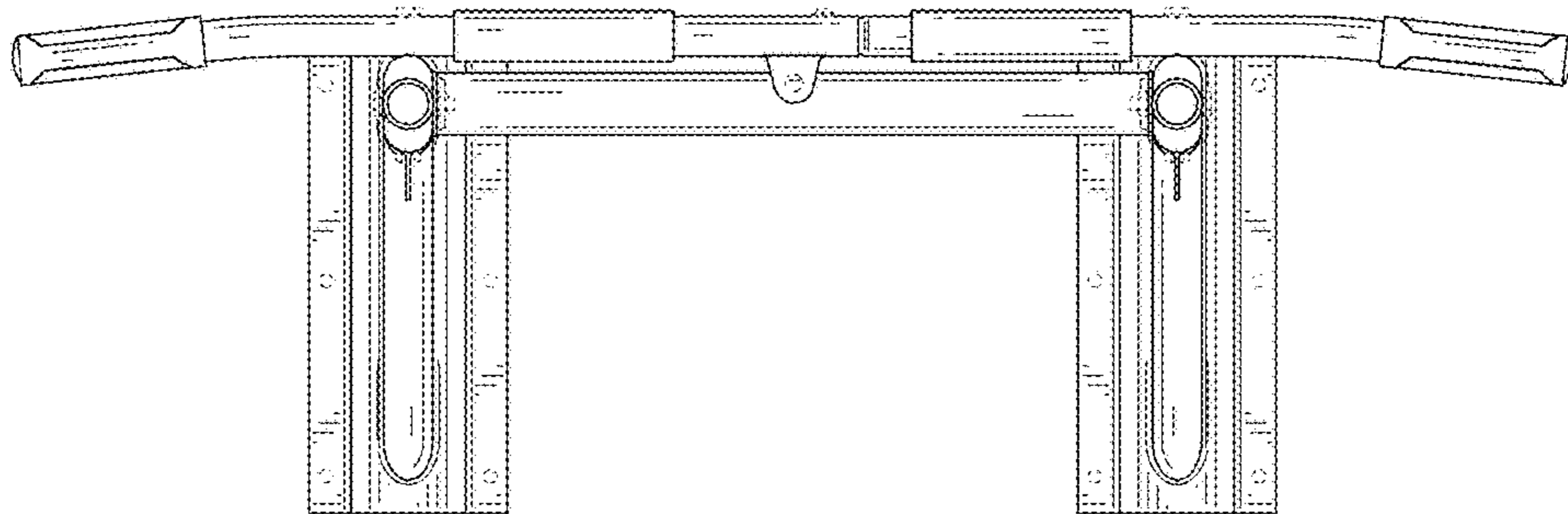


FIG. 3

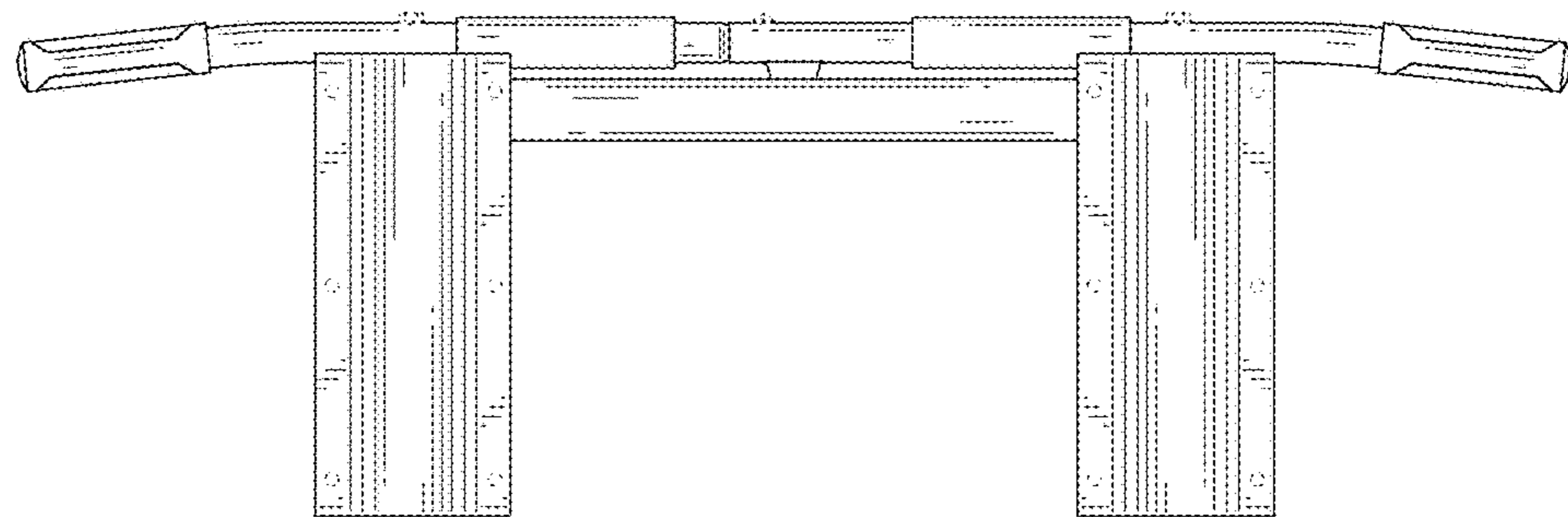


FIG. 4

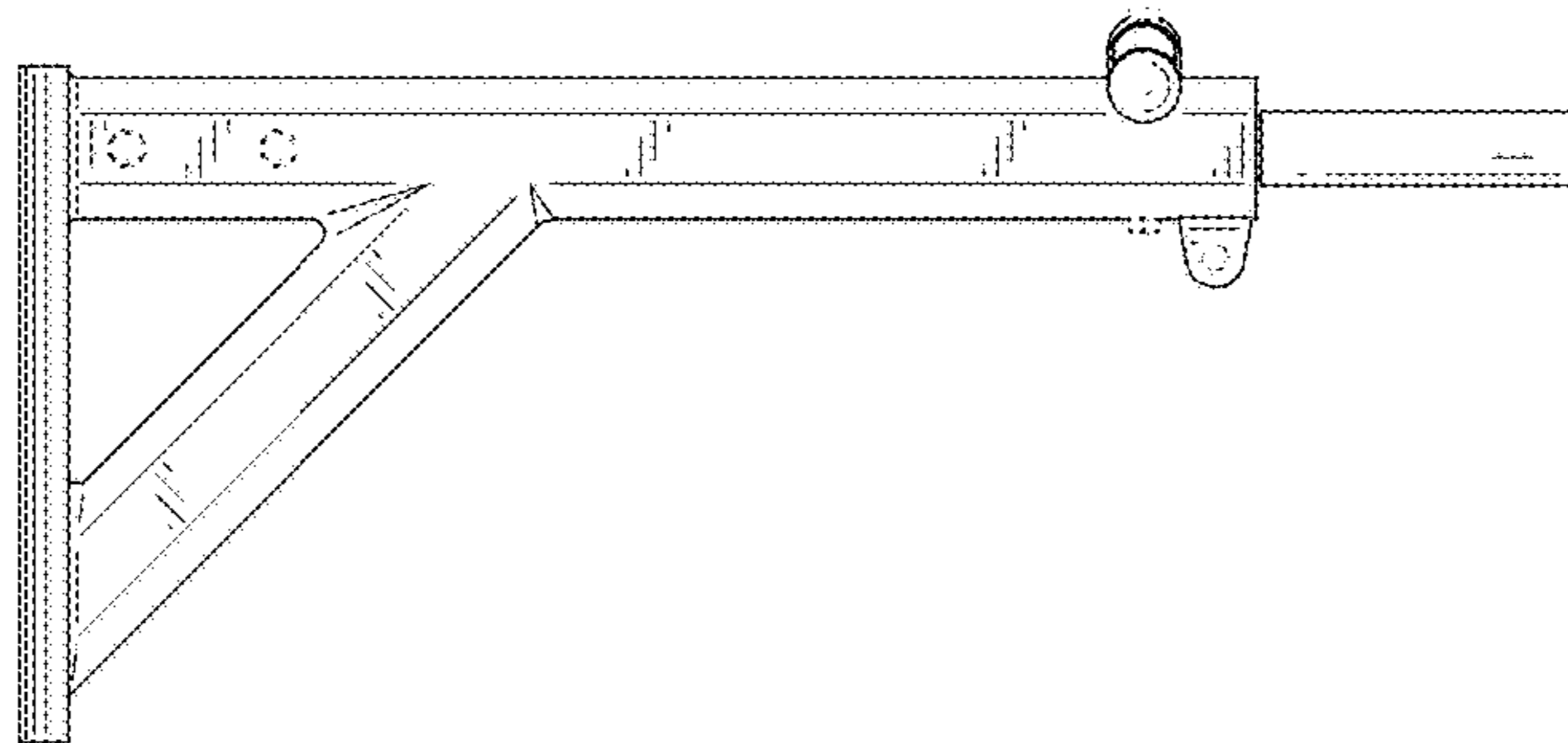


FIG. 5

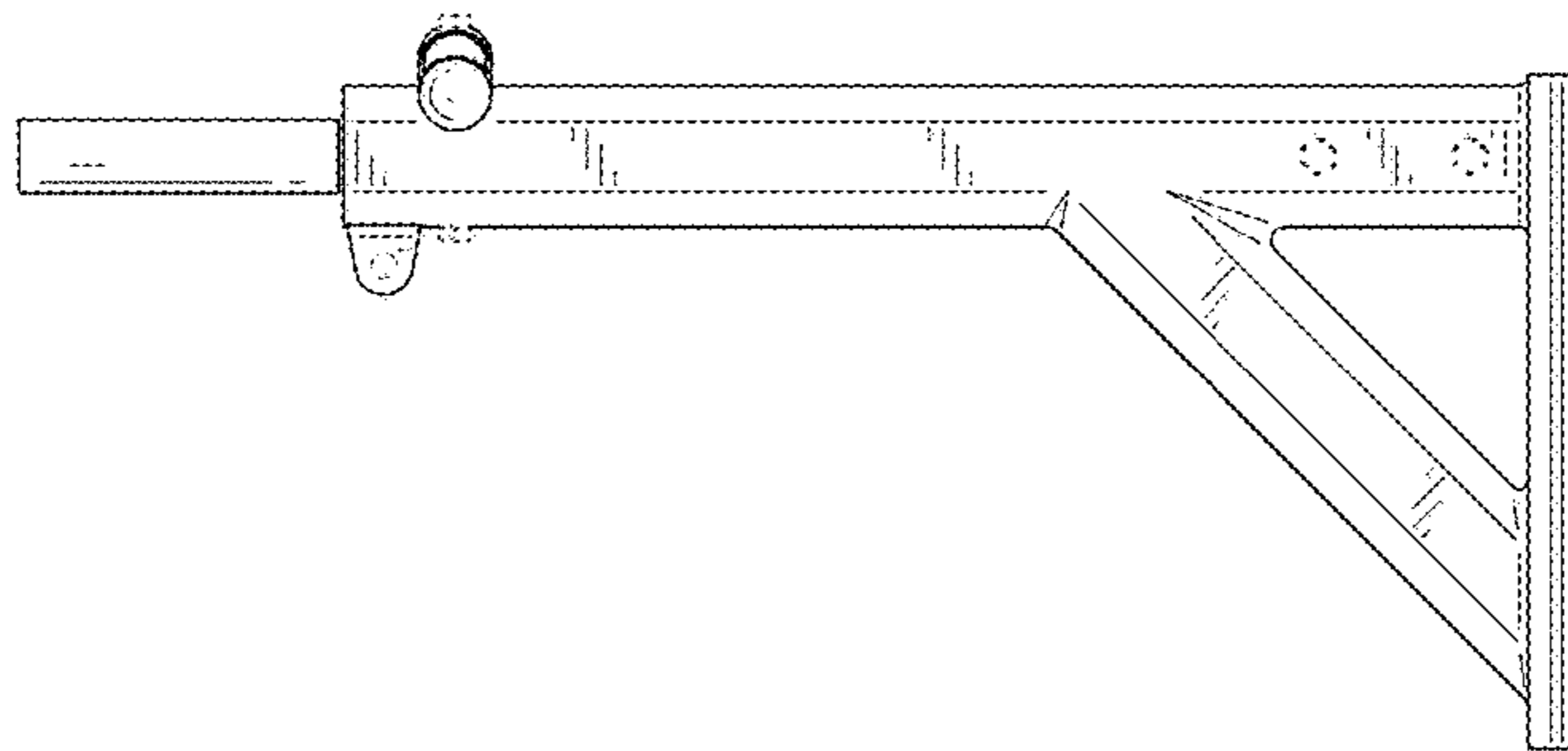


FIG. 6

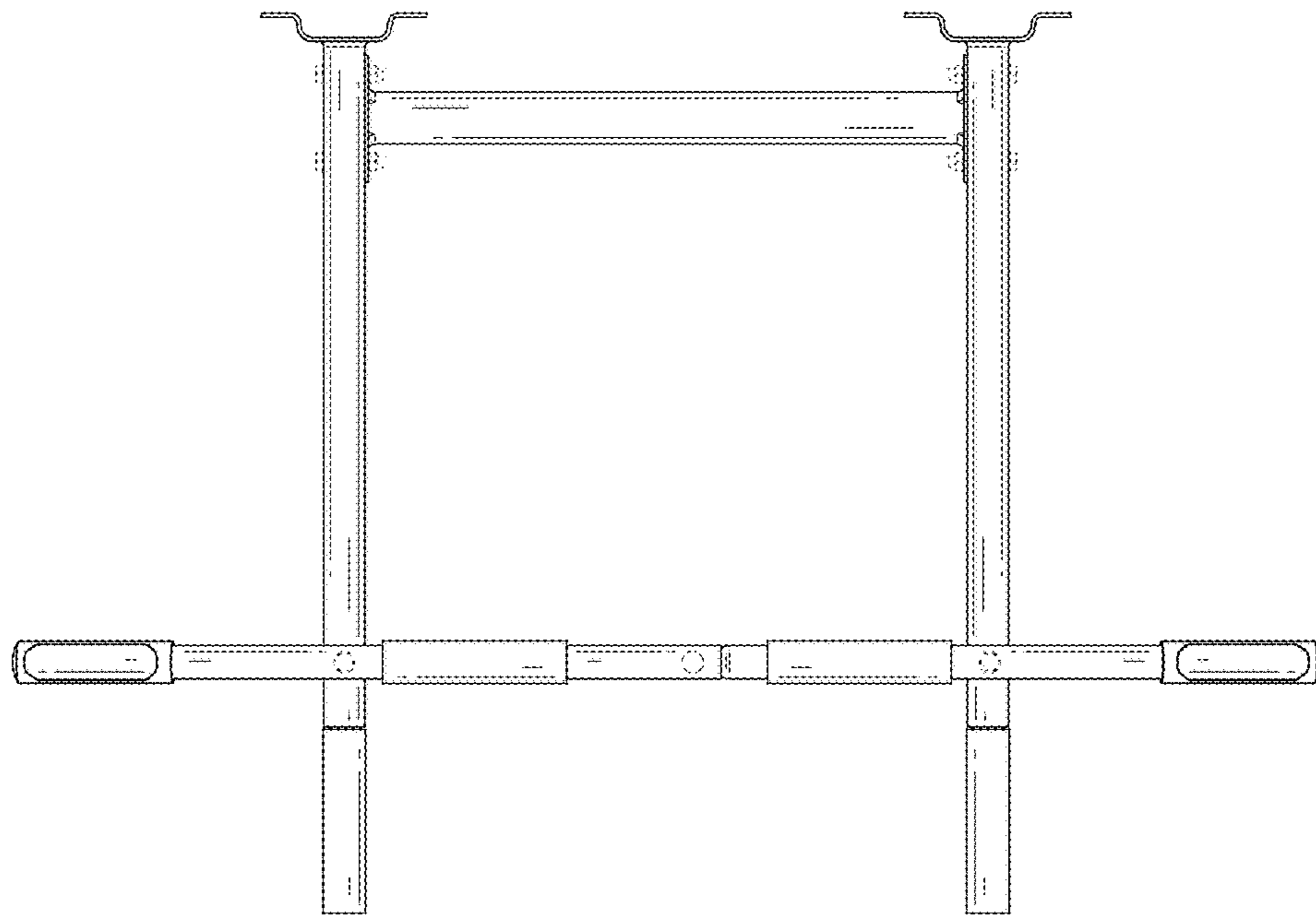


FIG. 7

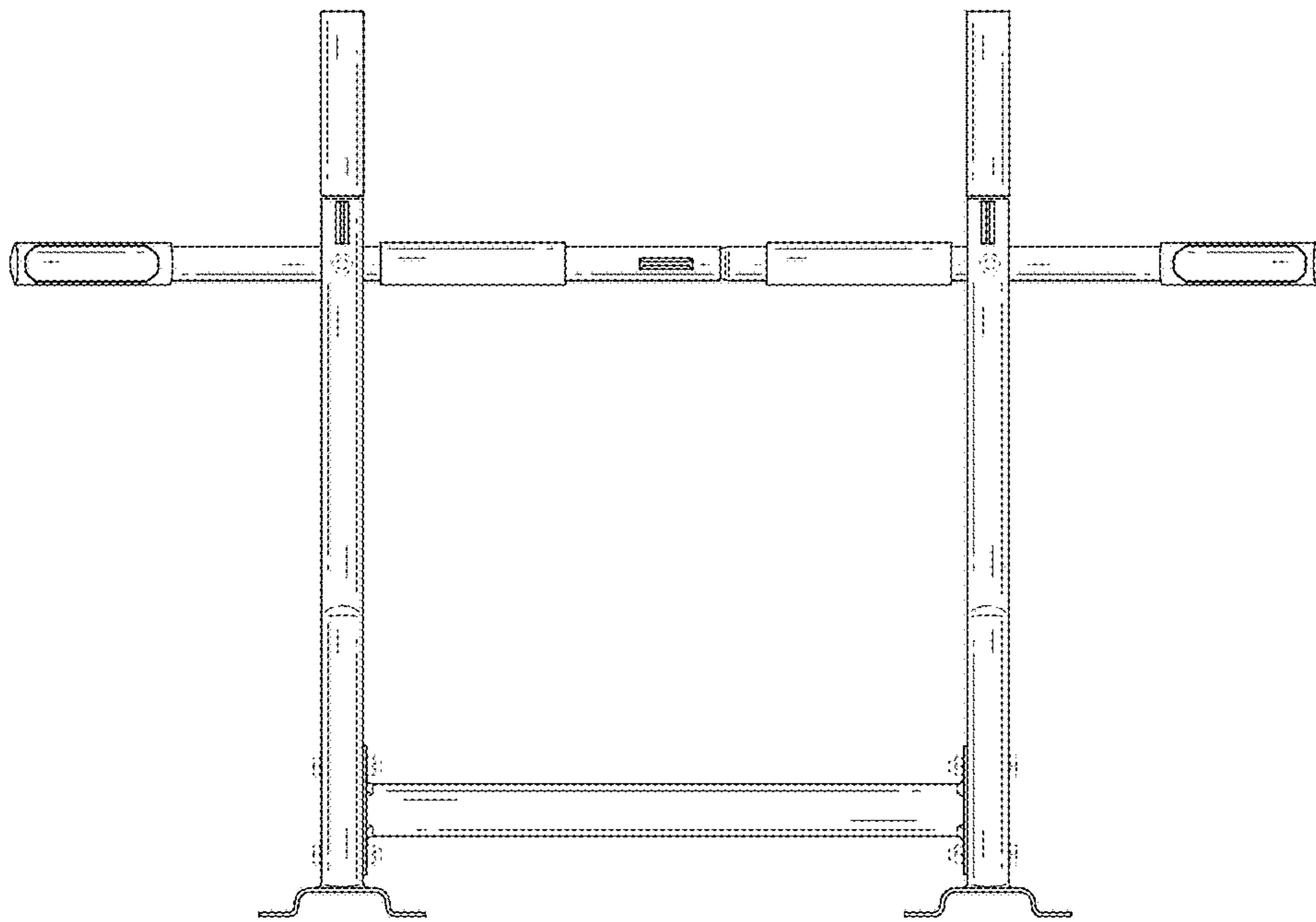


FIG. 8