



US00D849158S

(12) **United States Design Patent** (10) **Patent No.:** **US D849,158 S**
Qi (45) **Date of Patent:** **** May 21, 2019**

(54) **TOY CAR**
(71) Applicant: **Guangzhou Teching Cultural Development Co., Ltd., Guangzhou (CN)**
(72) Inventor: **Xianyi Qi, Guangzhou (CN)**
(73) Assignee: **Guangzhou Teching Cultural Development Co., Ltd., Guangzhou (CN)**

D230,178 S * 1/1974 Barris D12/83
4,513,981 A * 4/1985 DeGraaff B62K 9/00
280/828
4,629,023 A * 12/1986 Carpanelli B62D 1/18
180/334
4,896,899 A * 1/1990 Lawrence B60B 5/02
152/409
D340,208 S * 10/1993 Wolfe D12/87
D410,502 S * 6/1999 Harrod D21/433
6,631,925 B1 * 10/2003 Lawson, Jr. B62D 21/183
180/291
D491,615 S * 6/2004 Lawson, Jr. D21/433
D563,274 S * 3/2008 Ramos D12/87
8,485,304 B2 * 7/2013 Matsubayashi B60T 11/04
180/336
D732,115 S * 6/2015 Talios D21/433

(**) Term: **15 Years**

(21) Appl. No.: **29/632,277**

(22) Filed: **Jan. 5, 2018**

(30) **Foreign Application Priority Data**

Nov. 10, 2017 (CN) 2017 3 0553441

(51) **LOC (11) Cl.** **21-01**

(52) **U.S. Cl.**
USPC **D21/548; D12/83**

(58) **Field of Classification Search**
USPC D12/86, 88, 90-92, 164, 173, 184-186,
D12/190, 196; D21/419, 421, 423-426,
D21/433-434, 548, 549, 550, 552, 559,
D21/561

CPC A63H 17/26; A63H 17/262; A63H 17/264;
A63H 17/266; A63H 17/36; A63H 17/38;
A63H 29/00; A63H 29/22; A63H 29/24;
A63H 30/04

See application file for complete search history.

(56) **References Cited**

U.S. PATENT DOCUMENTS

3,366,411 A * 1/1968 Vittone B62D 21/10
280/781
D213,791 S * 4/1969 Daniel D12/83

* cited by examiner

Primary Examiner — Robin V Webster

Assistant Examiner — Keith J Wilson

(74) *Attorney, Agent, or Firm* — Wang Law Firm, Inc.

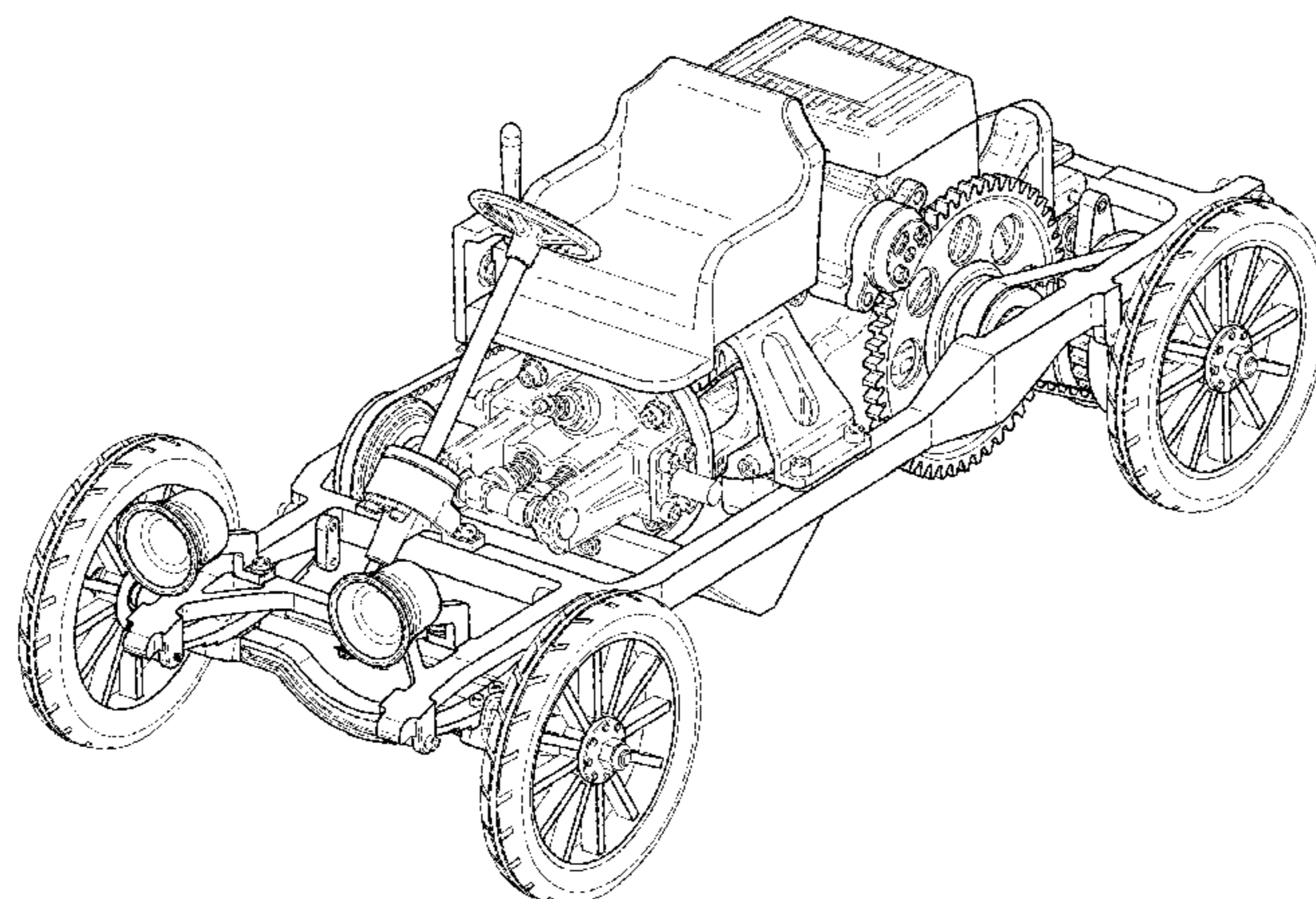
(57) **CLAIM**

The ornamental design for a toy car, as shown and described.

DESCRIPTION

FIG. 1 is a perspective view of the toy car showing my new design;
FIG. 2 is a front elevation view thereof;
FIG. 3 is a rear elevation view thereof;
FIG. 4 is a left side elevation view thereof;
FIG. 5 is a right side elevation view thereof;
FIG. 6 is a top plan view thereof;
FIG. 7 is a bottom plan view thereof; and,
FIG. 8 is a perspective view of the toy car from another angle of view showing my new design.

1 Claim, 8 Drawing Sheets



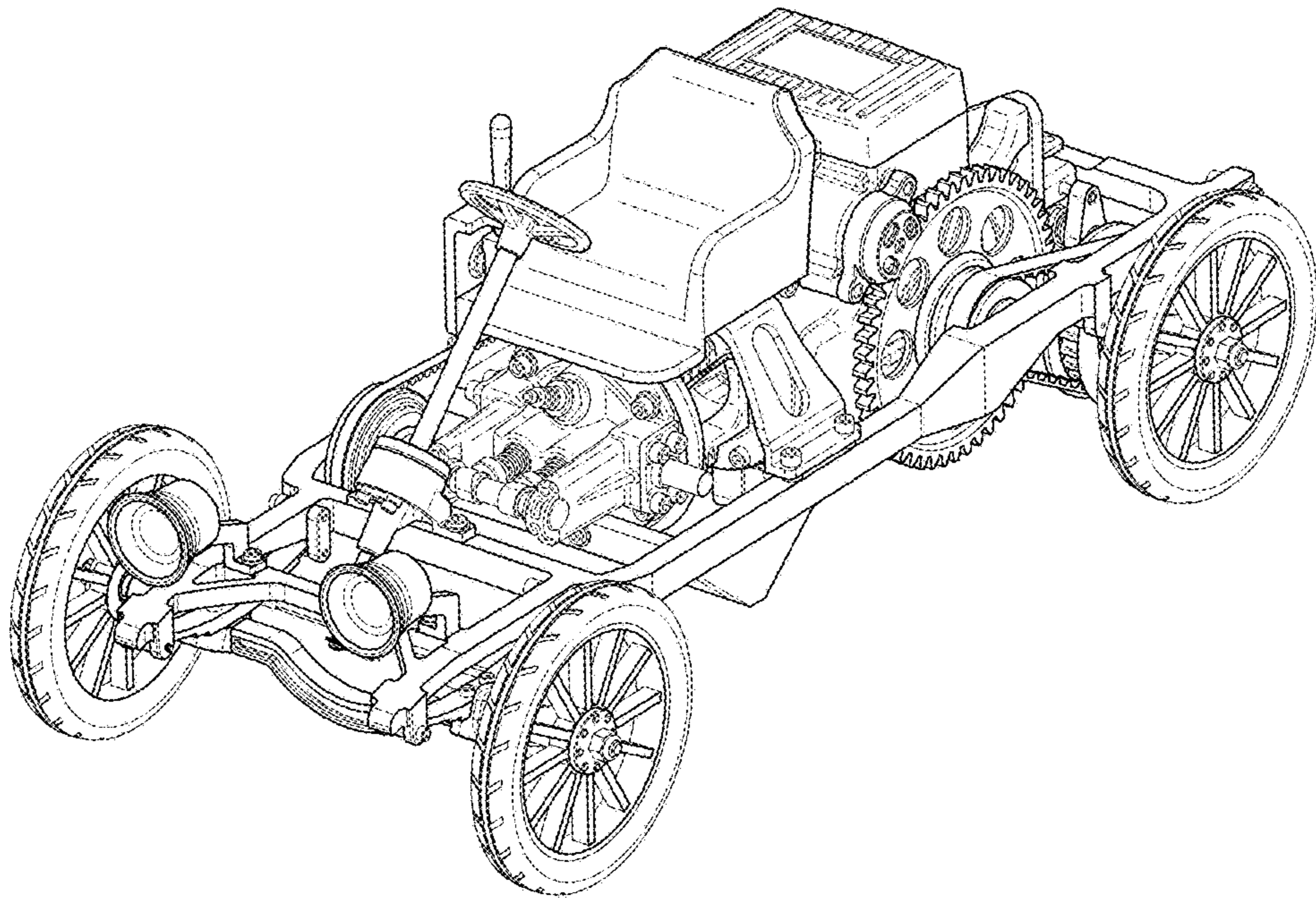


FIG.1

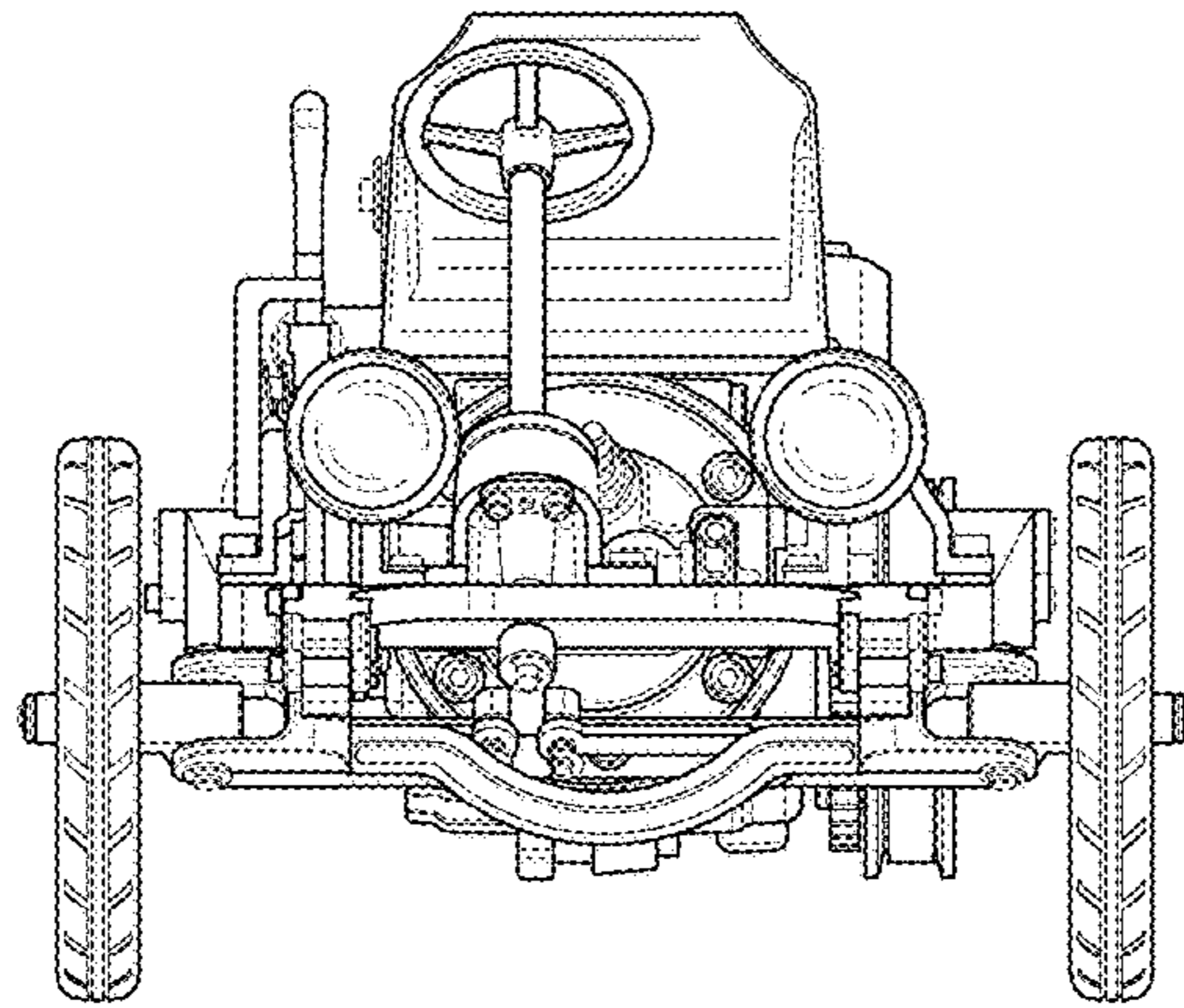


FIG.2

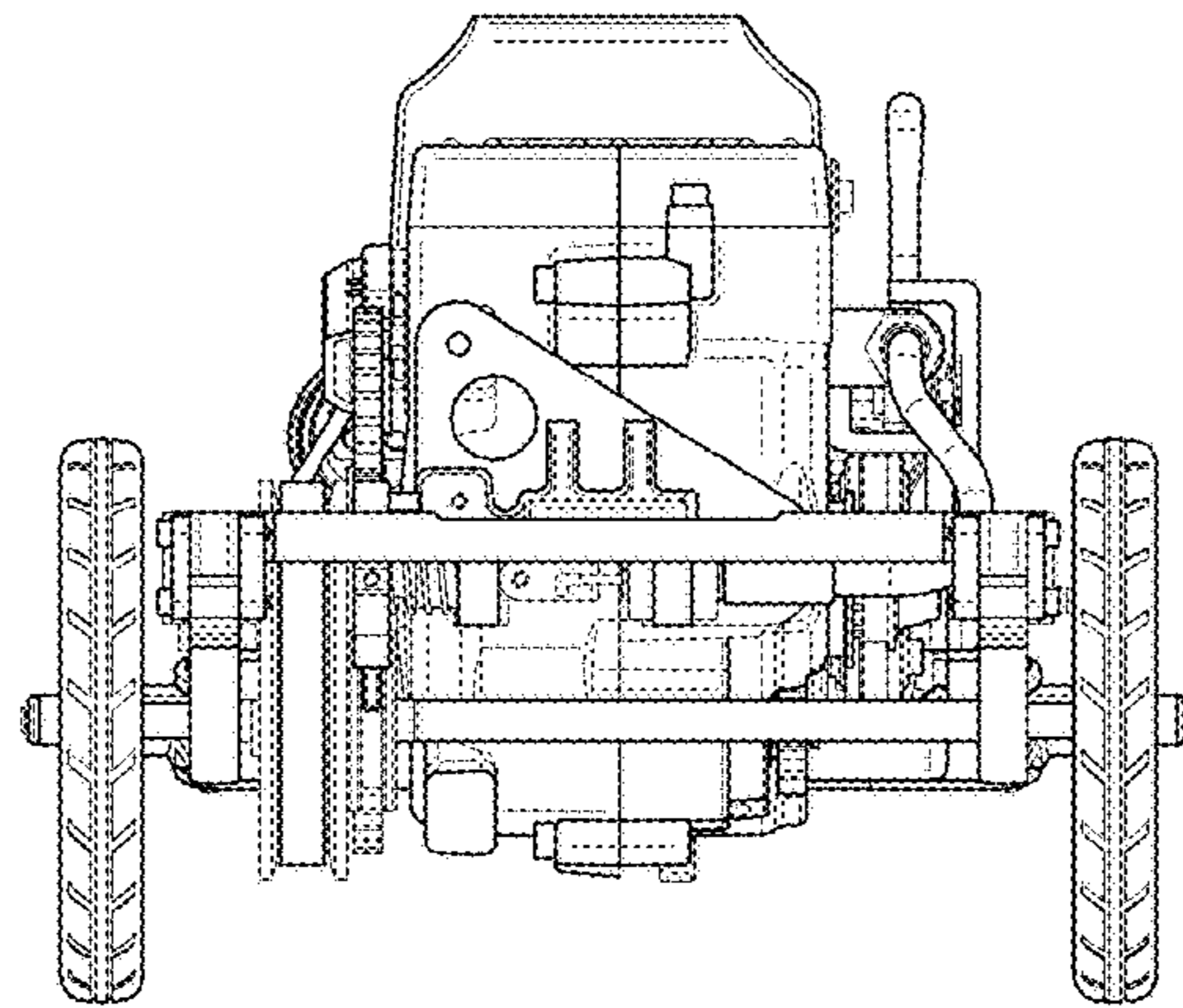


FIG.3

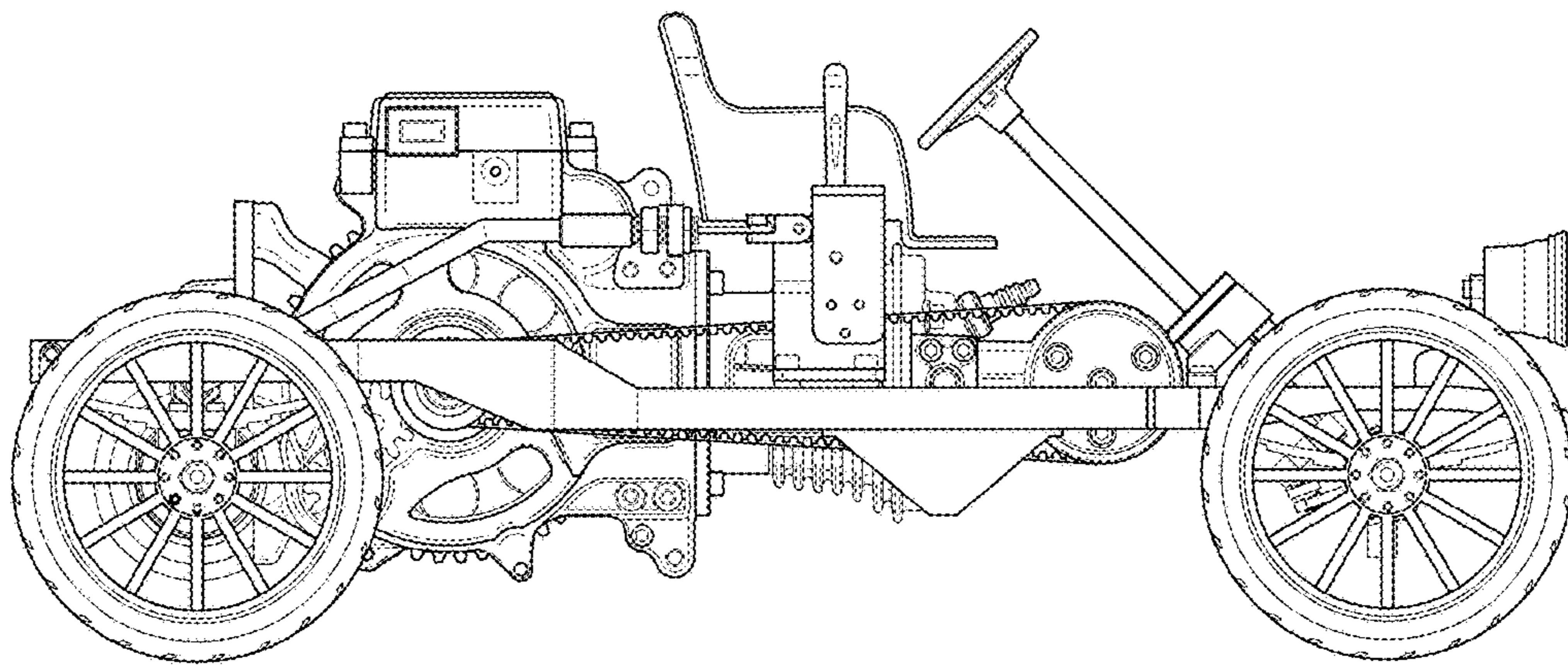


FIG.4

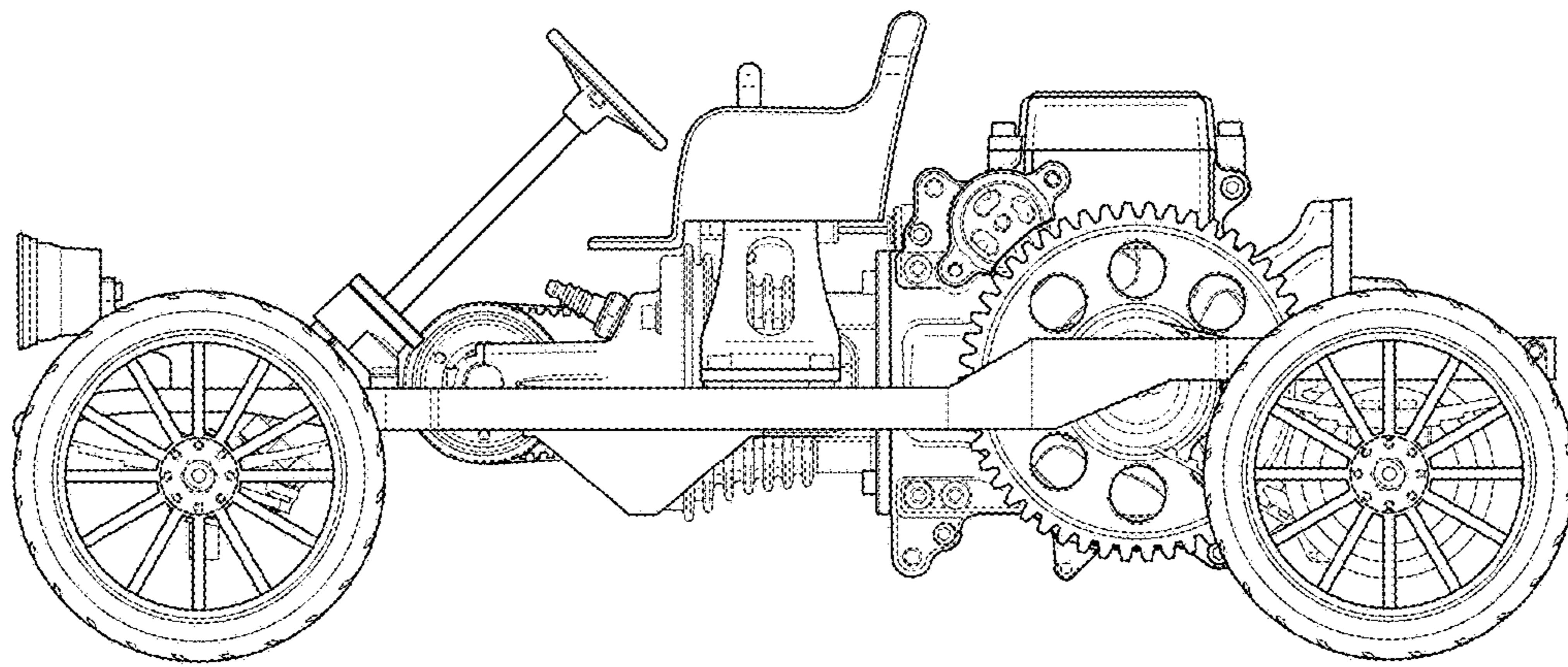


FIG.5

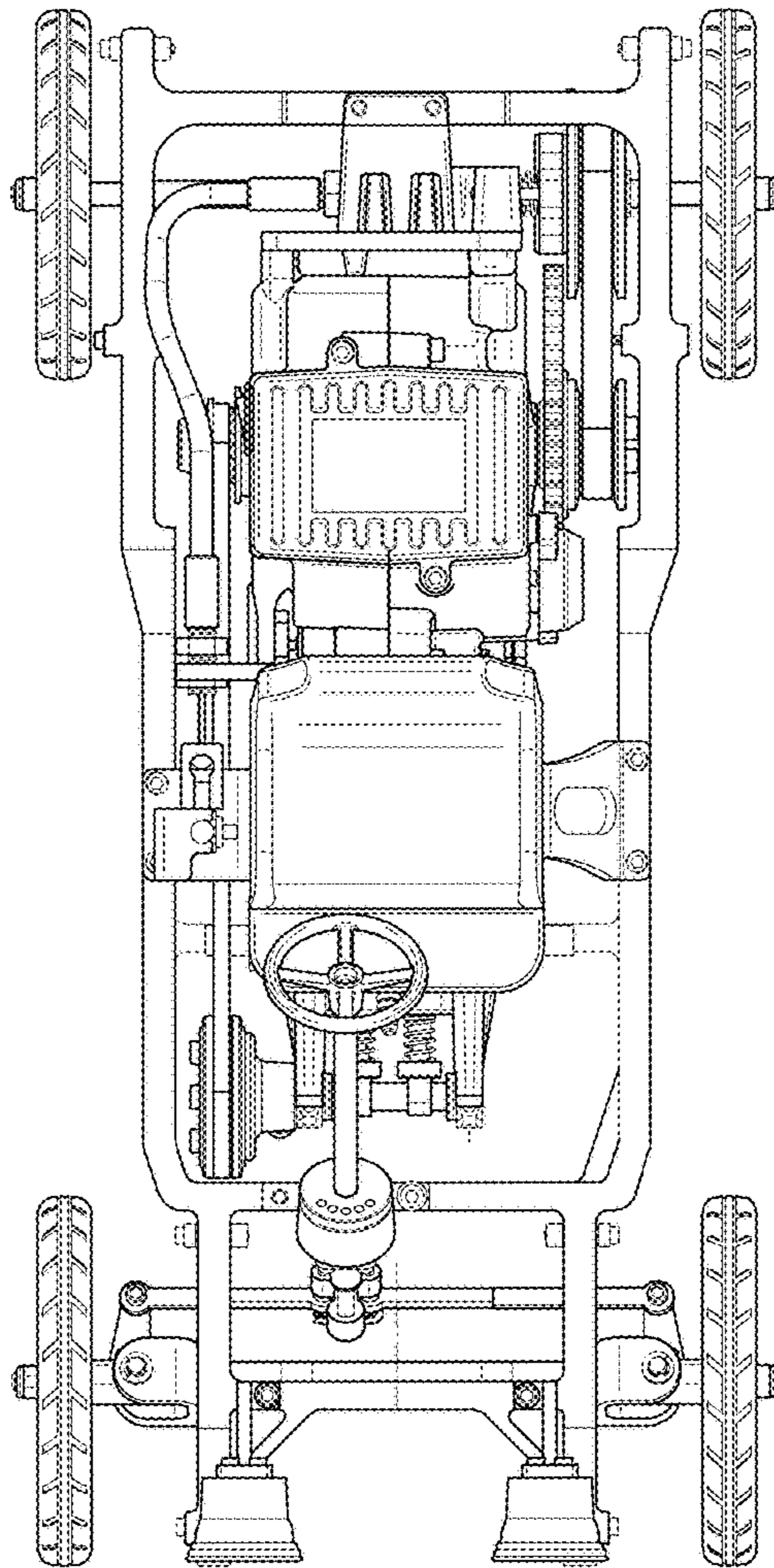


FIG.6

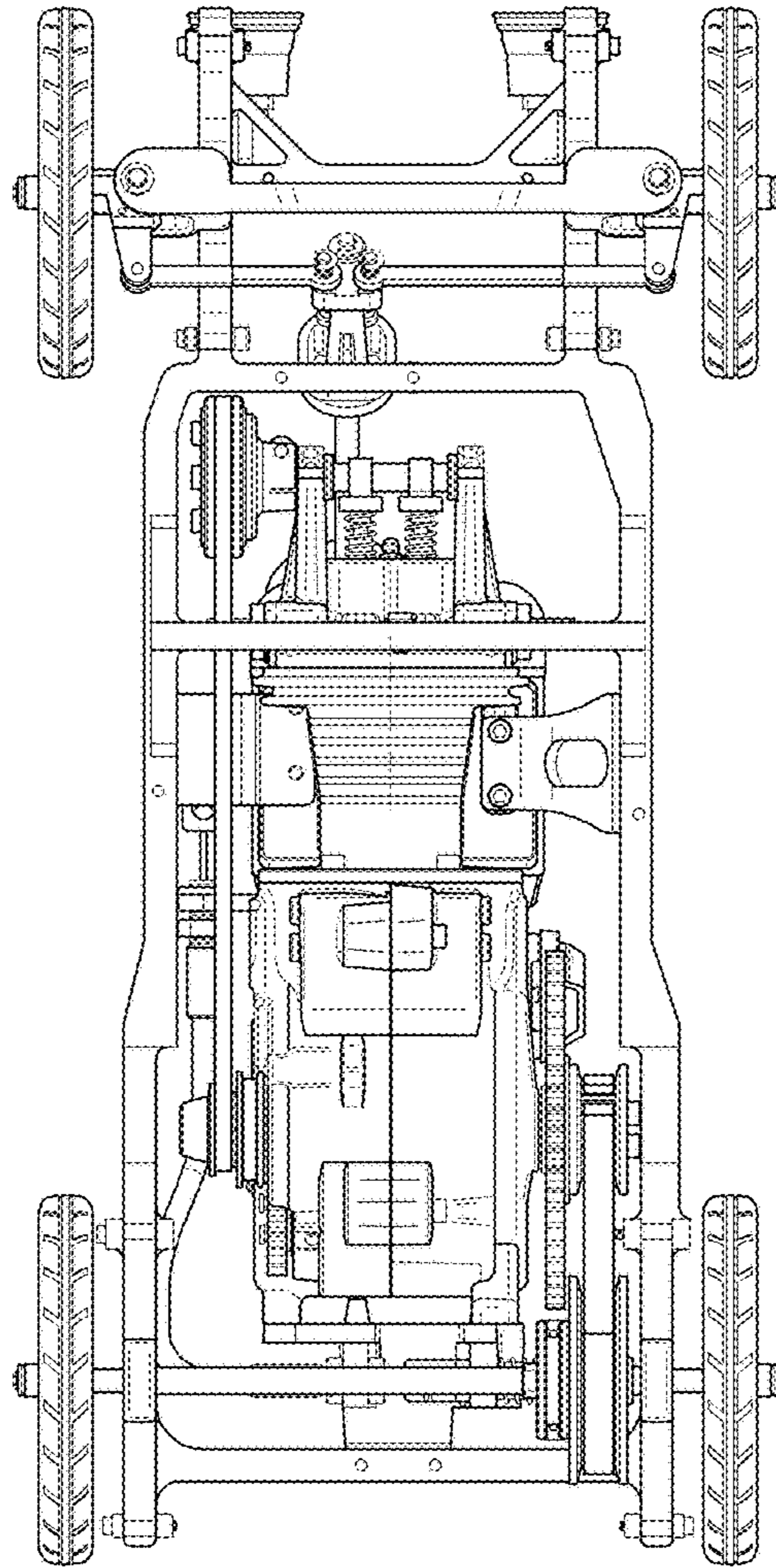


FIG.7

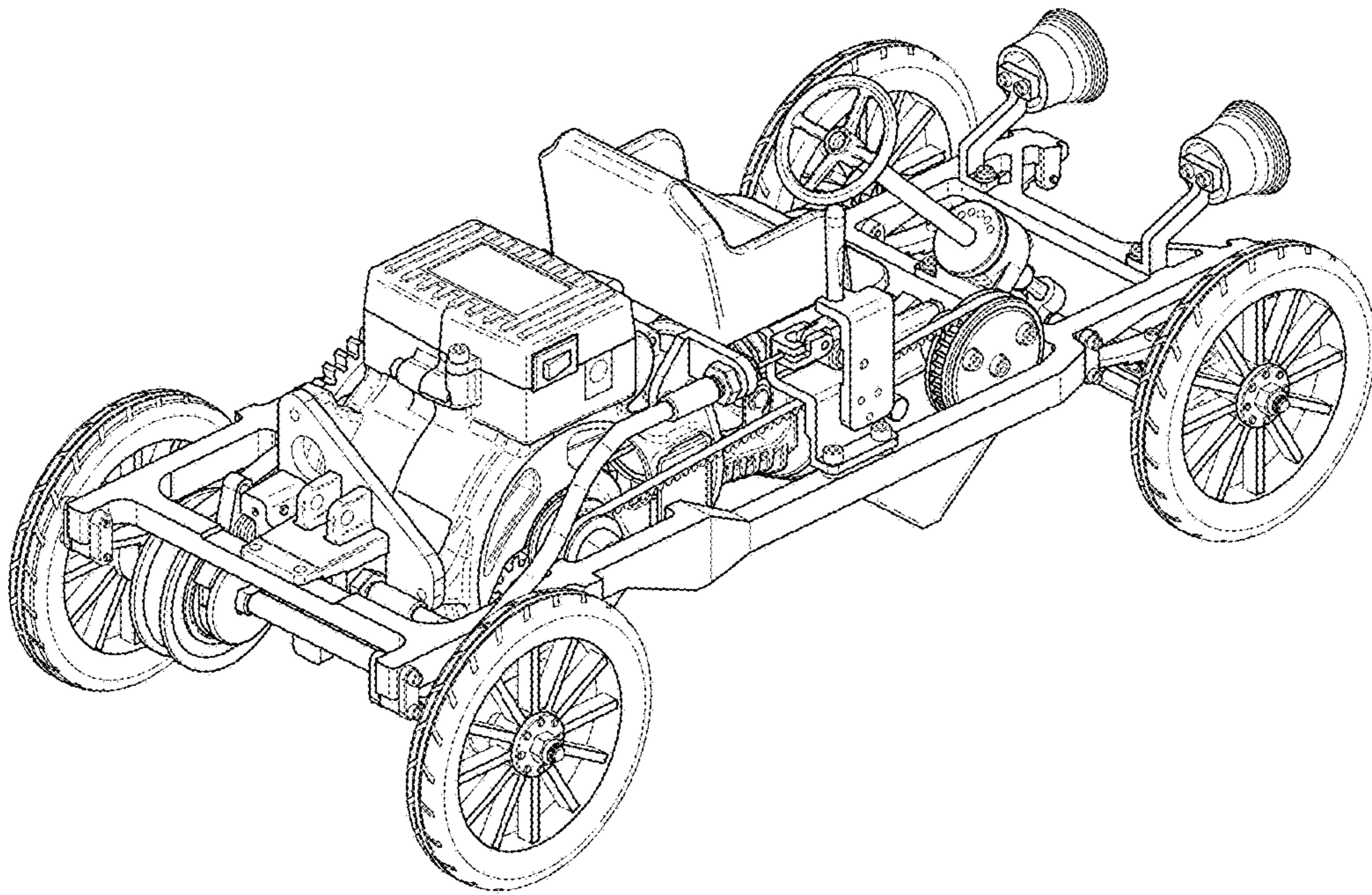


FIG.8