



US00D849157S

(12) **United States Design Patent** (10) **Patent No.:** **US D849,157 S**
Jensen (45) **Date of Patent:** **** May 21, 2019**

(54) **TOY BUILDING BRICK**

3/46; E04C 1/00; E04C 1/40; E04B 2/14;
E04B 2/16; E04B 2/18

(71) Applicant: **LEGO A/S**, Billund (DK)

See application file for complete search history.

(72) Inventor: **Kurt Jensen**, Vejle (DK)

(56) **References Cited**

(73) Assignee: **LEGO A/S**, Billund (DK)

U.S. PATENT DOCUMENTS

(**) Term: **15 Years**

D281,183 S *	10/1985	Kato	D21/502
D281,263 S *	11/1985	Volpe	D21/504
D304,354 S *	10/1989	Knudsen	D21/504
D711,977 S *	8/2014	Norman	D21/503

(21) Appl. No.: **29/644,872**

* cited by examiner

(22) Filed: **Apr. 20, 2018**

Primary Examiner — Zenia I Bennett

Related U.S. Application Data

(74) *Attorney, Agent, or Firm* — Day Pitney LLP

(62) Division of application No. 35/502,465, filed on Dec. 8, 2016 (U.S. filing date under 35 U.S.C. 384), and having an international filing date of Dec. 8, 2016, now Pat. No. Des. 830,477.

(57) **CLAIM**

The ornamental design for toy building brick, as shown and described.

(51) **LOC (11) Cl.** **21-01**

DESCRIPTION

(52) **U.S. Cl.**
USPC **D21/504**

FIG. 1 is a front perspective view of my ornamental design for toy building brick;
FIG. 2 is a top plan view thereof;
FIG. 3 is a rear elevational view thereof;
FIG. 4 is a left side elevational view thereof;
FIG. 5 is a right side elevational view thereof; FIG. 6 is a bottom plan view thereof; and,
FIG. 7 is a bottom perspective view thereof.

(58) **Field of Classification Search**
USPC D21/386, 389, 404, 468, 470, 471, D21/484–505

CPC A63H 33/00; A63H 33/04; A63H 33/044; A63H 33/06; A63H 33/08; A63H 33/084; A63H 33/086; A63H 33/088; A63H 33/10; A63H 33/12; A63H 33/105; A63H 33/108; A63H 3/00; A63H 3/16; A63H

1 Claim, 7 Drawing Sheets

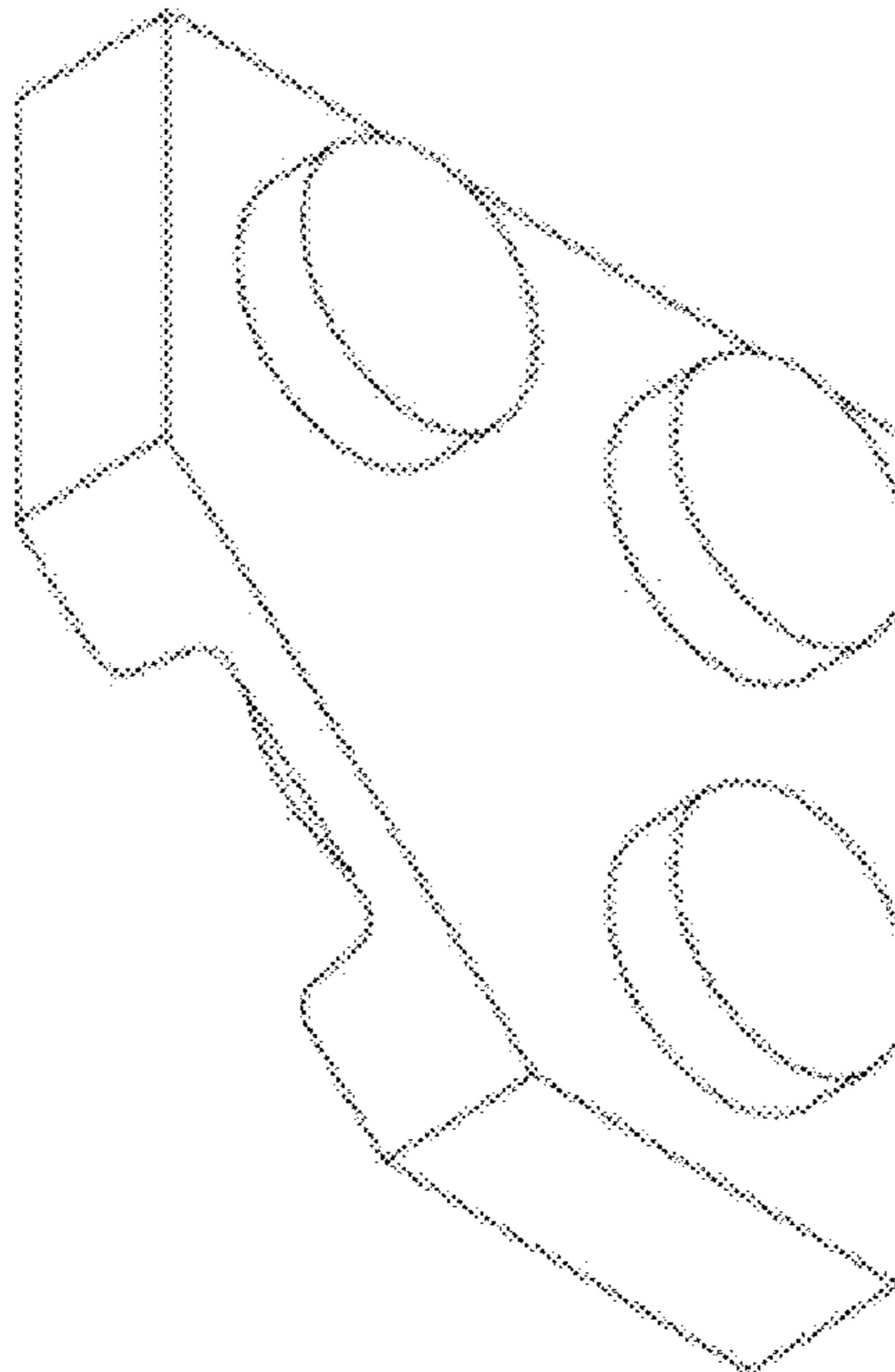


FIG. 1

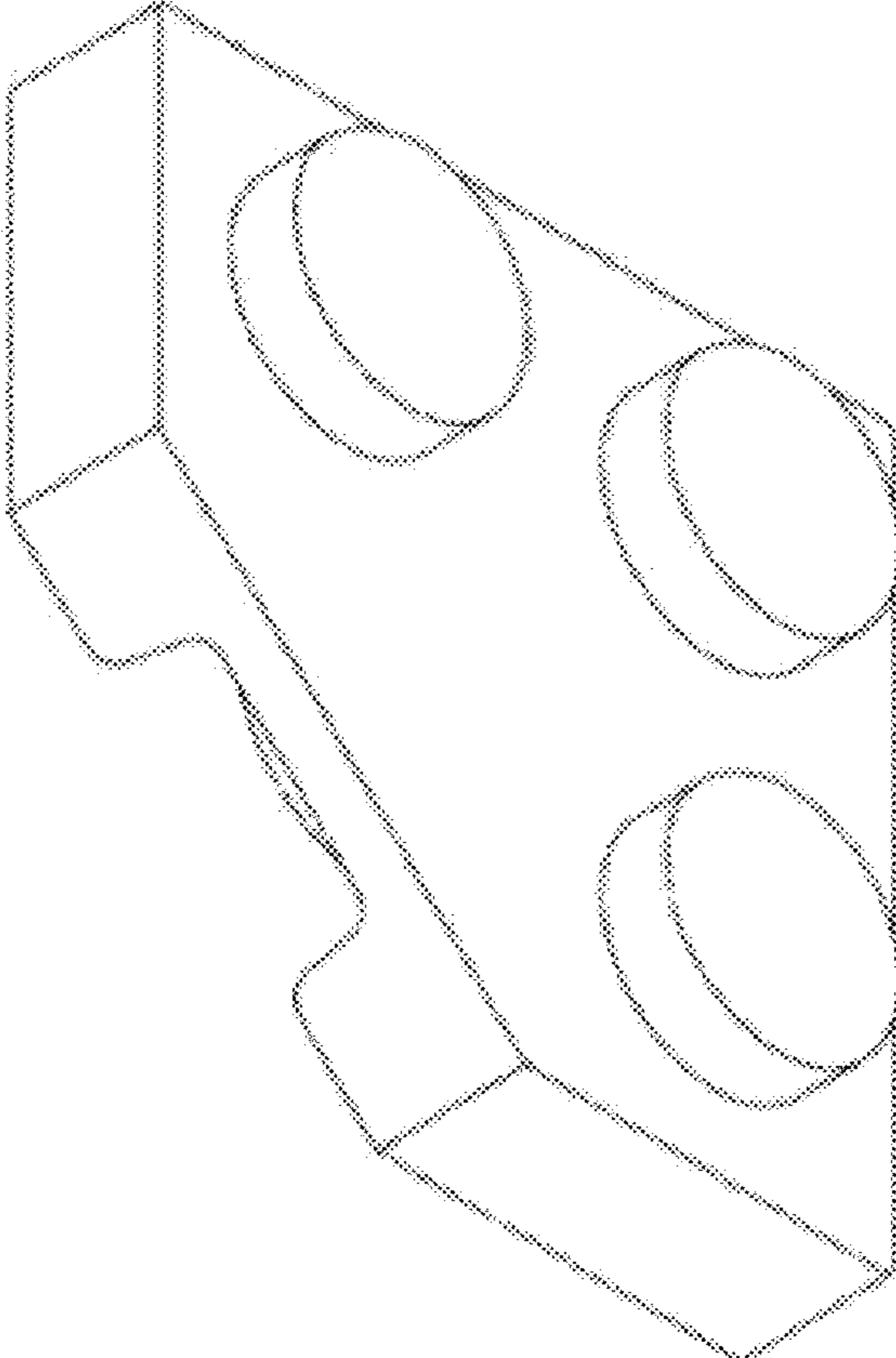


FIG. 2

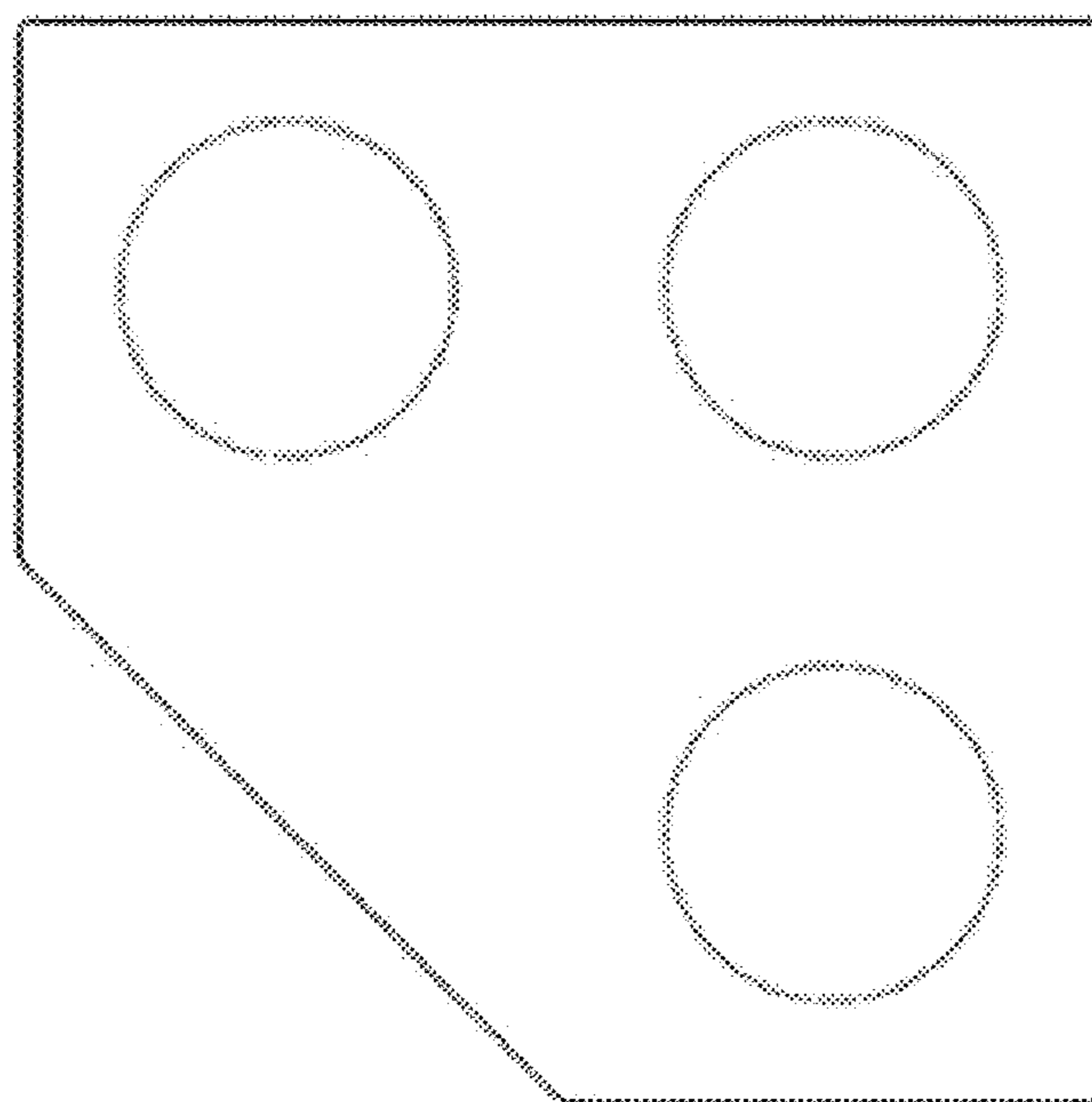


FIG. 3

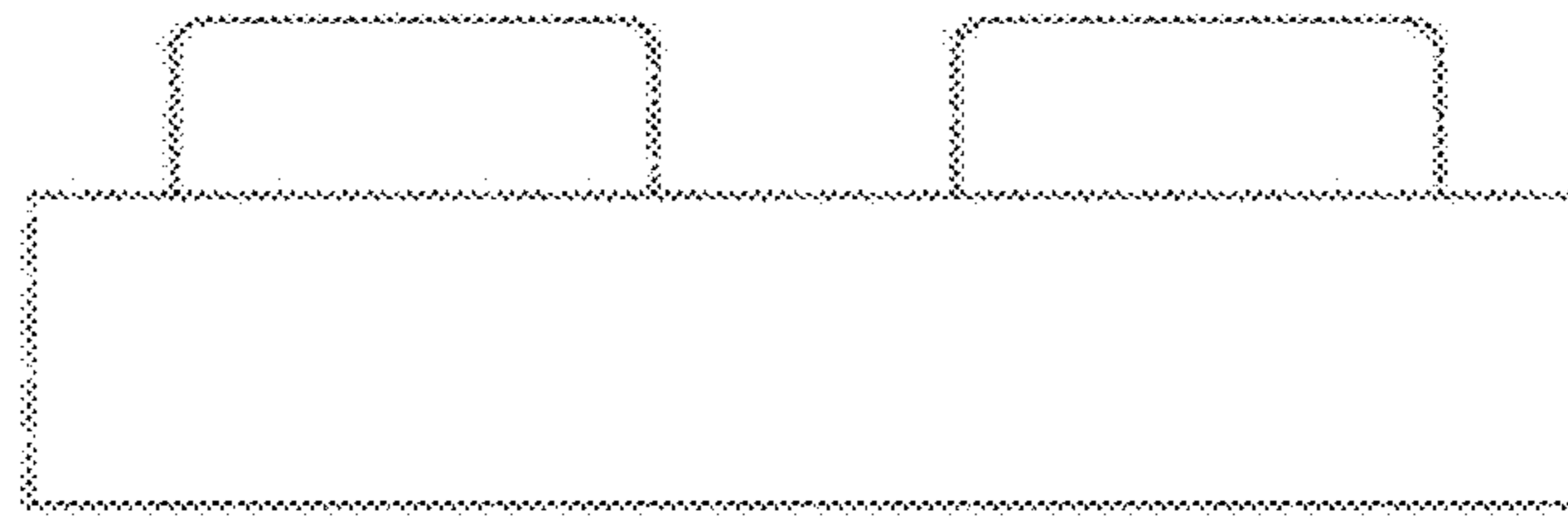


FIG. 4

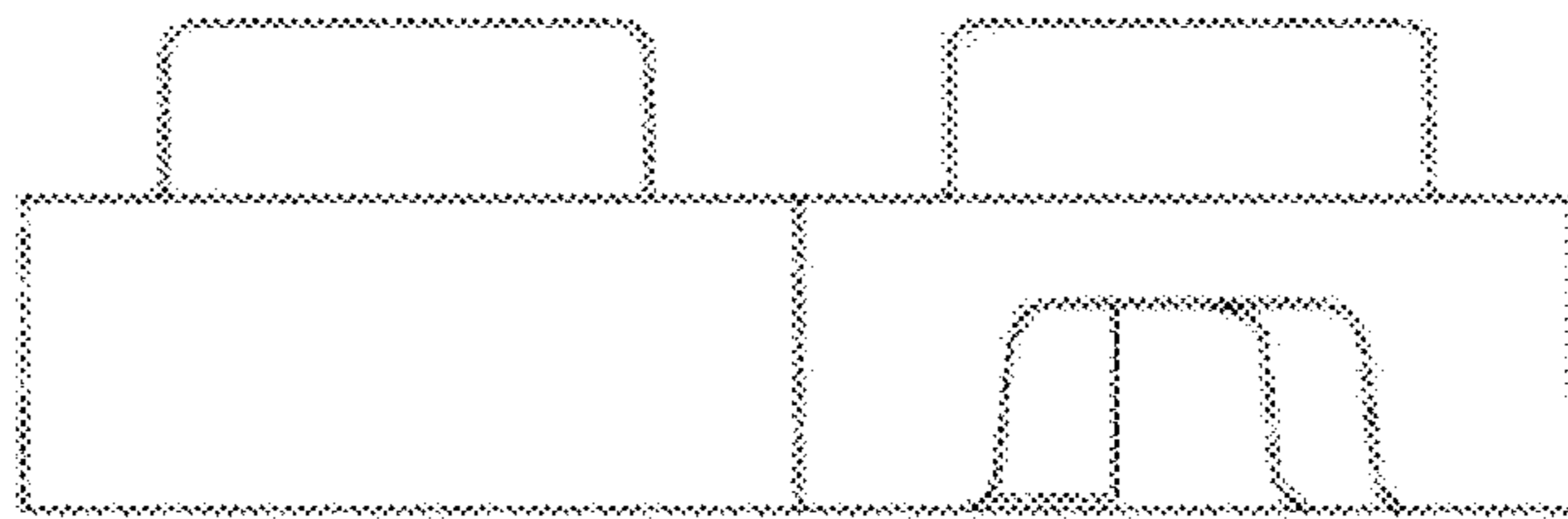


FIG. 5

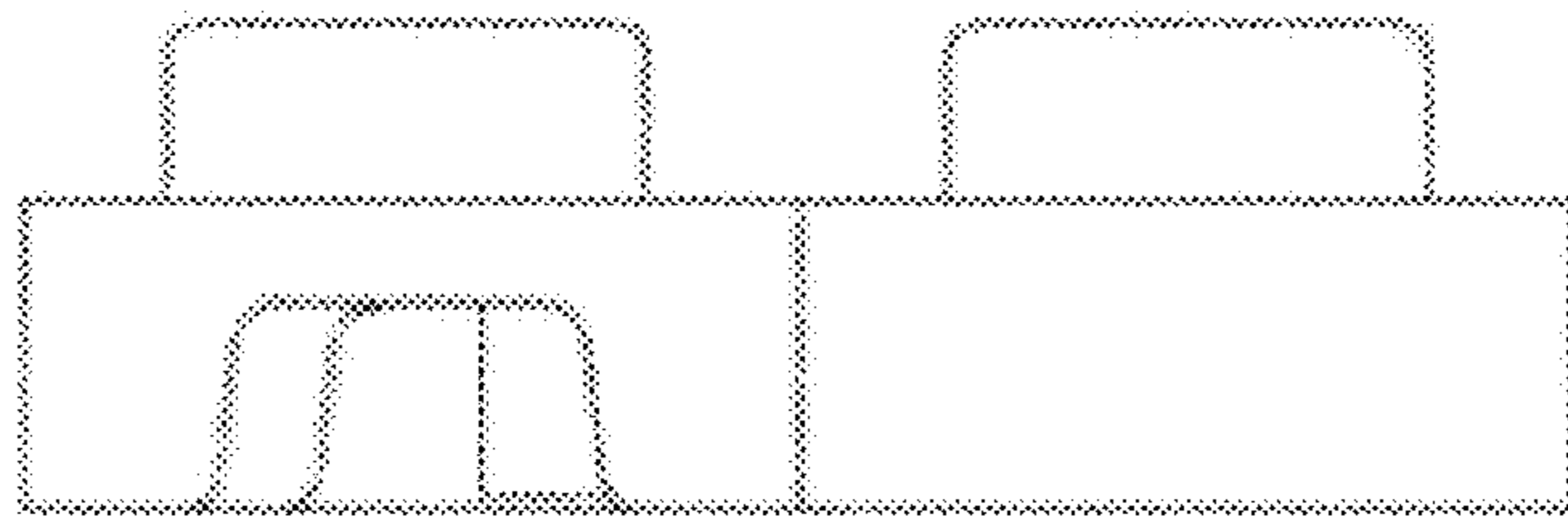


FIG. 6

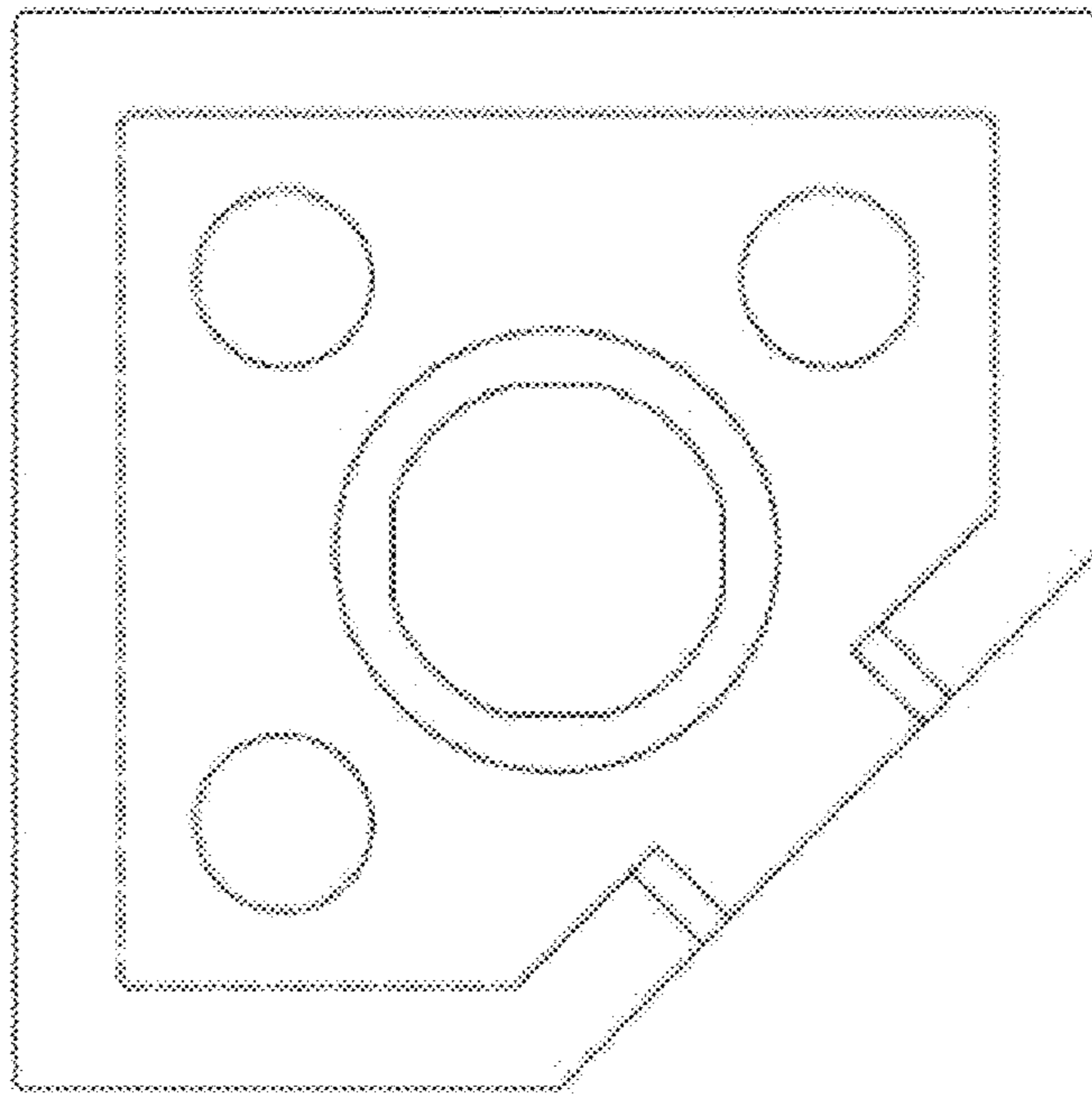


FIG. 7

