



US00D849155S

(12) **United States Design Patent** (10) **Patent No.:** **US D849,155 S**  
**Lo** (45) **Date of Patent:** **\*\* May 21, 2019**

(54) **BUILDING BLOCK**  
(71) Applicant: **DELSUN CO., LTD.**, Tainan (TW)  
(72) Inventor: **Feng-Jun Lo**, Tainan (TW)  
(73) Assignee: **Delsun Co., Ltd.**, Tainan (TW)  
(\*\*) Term: **15 Years**

D490,483 S \* 5/2004 Auburger ..... D21/499  
D545,381 S \* 6/2007 Sorensen ..... D21/484  
D699,792 S \* 2/2014 Hwang ..... D21/499  
9,841,180 B1 \* 12/2017 Lin ..... F21V 15/01  
2009/0215357 A1 \* 8/2009 Seligman ..... A63H 33/042  
446/127  
2014/0106108 A1 \* 4/2014 Lin ..... A63H 33/082  
428/58  
2015/0336019 A1 \* 11/2015 Vollers ..... B65D 81/361  
446/71

(21) Appl. No.: **29/622,005**  
(22) Filed: **Oct. 13, 2017**  
(51) **LOC (11) Cl.** ..... **21-01**  
(52) **U.S. Cl.**  
USPC ..... **D21/499**  
(58) **Field of Classification Search**  
USPC ..... D21/468, 470, 471, 478, 479, 484-505  
CPC ..... A63H 33/04; A63H 33/044; A63H 33/06;  
A63H 33/062; A63H 33/10; A63H  
33/101; A63H 33/108  
See application file for complete search history.

\* cited by examiner

*Primary Examiner* — Cynthia M. Chin  
(74) *Attorney, Agent, or Firm* — Alan D. Kamrath;  
Kamrath IP Lawfirm, P.A.

(57) **CLAIM**

The ornamental design for a building block, as shown and described.

**DESCRIPTION**

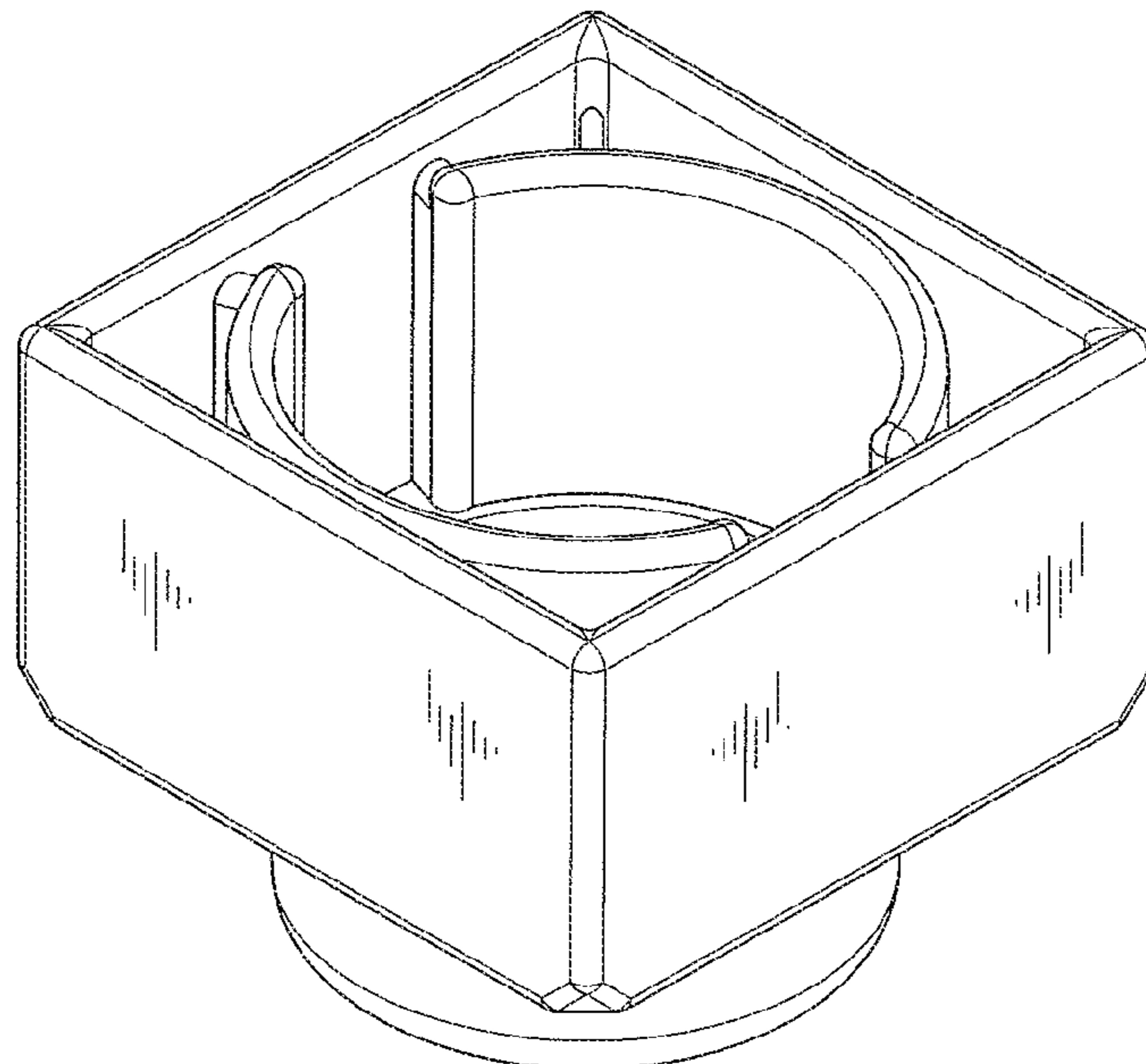
FIG. 1 is a perspective view of a building block showing my design;  
FIG. 2 is a front elevational view thereof;  
FIG. 3 is a rear elevational view thereof;  
FIG. 4 is a left side elevational view thereof;  
FIG. 5 is a right side elevational view thereof;  
FIG. 6 is a top plan view thereof;  
FIG. 7 is a bottom plan view thereof;  
FIG. 8 is a sectional view along line A-A of FIG. 6; and,  
FIG. 9 is a sectional view along line B-B of FIG. 6.

(56) **References Cited**

**U.S. PATENT DOCUMENTS**

D360,909 S \* 8/1995 Frederiksen ..... D21/500  
D425,214 S \* 5/2000 Speck ..... D25/118  
D435,609 S \* 12/2000 Sorensen ..... D21/499  
6,162,108 A \* 12/2000 Frederiksen ..... A63H 33/086  
446/102  
6,702,642 B1 \* 3/2004 Parein ..... A63H 33/08  
446/105

**1 Claim, 9 Drawing Sheets**



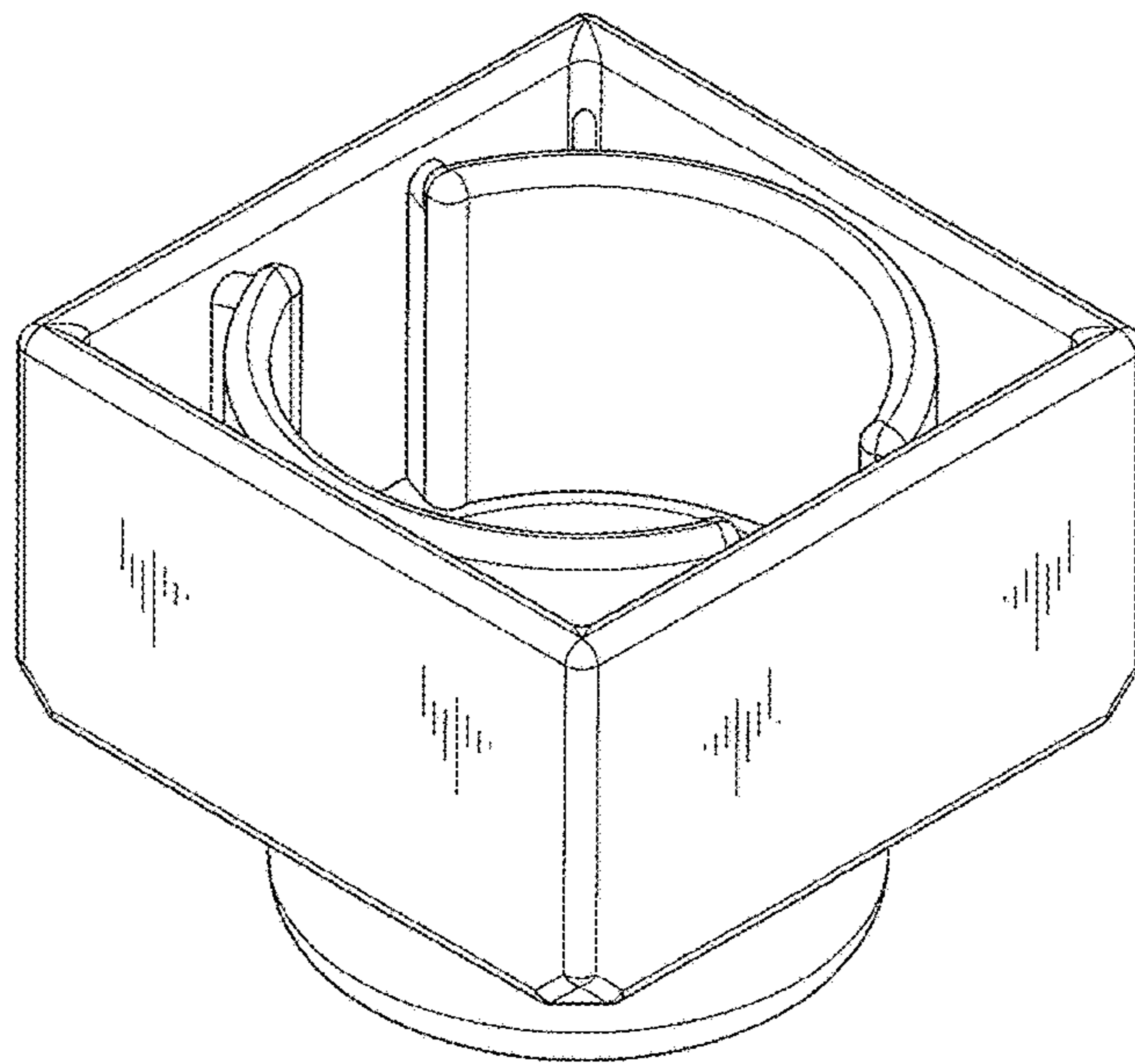


FIG. 1

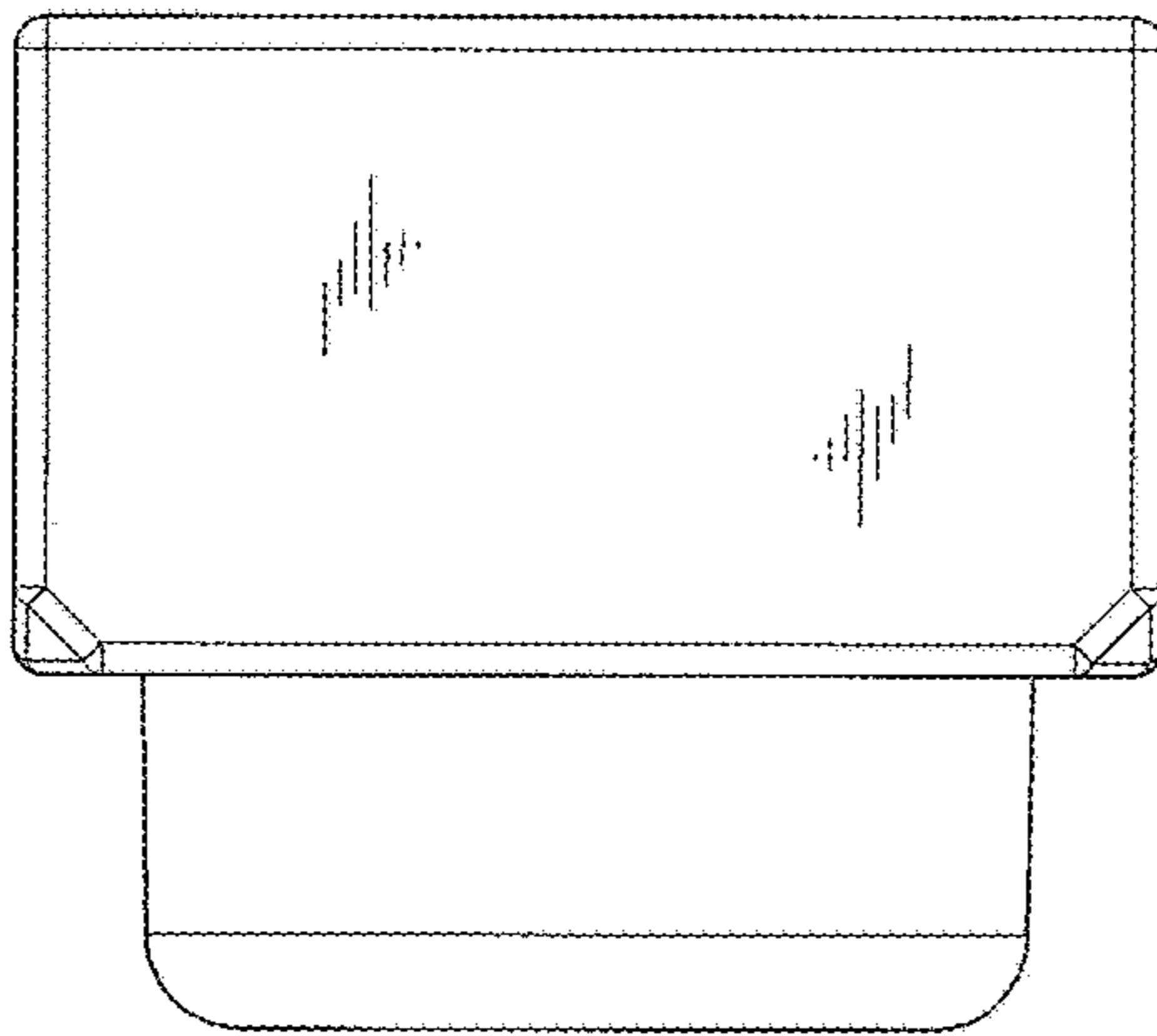


FIG. 2

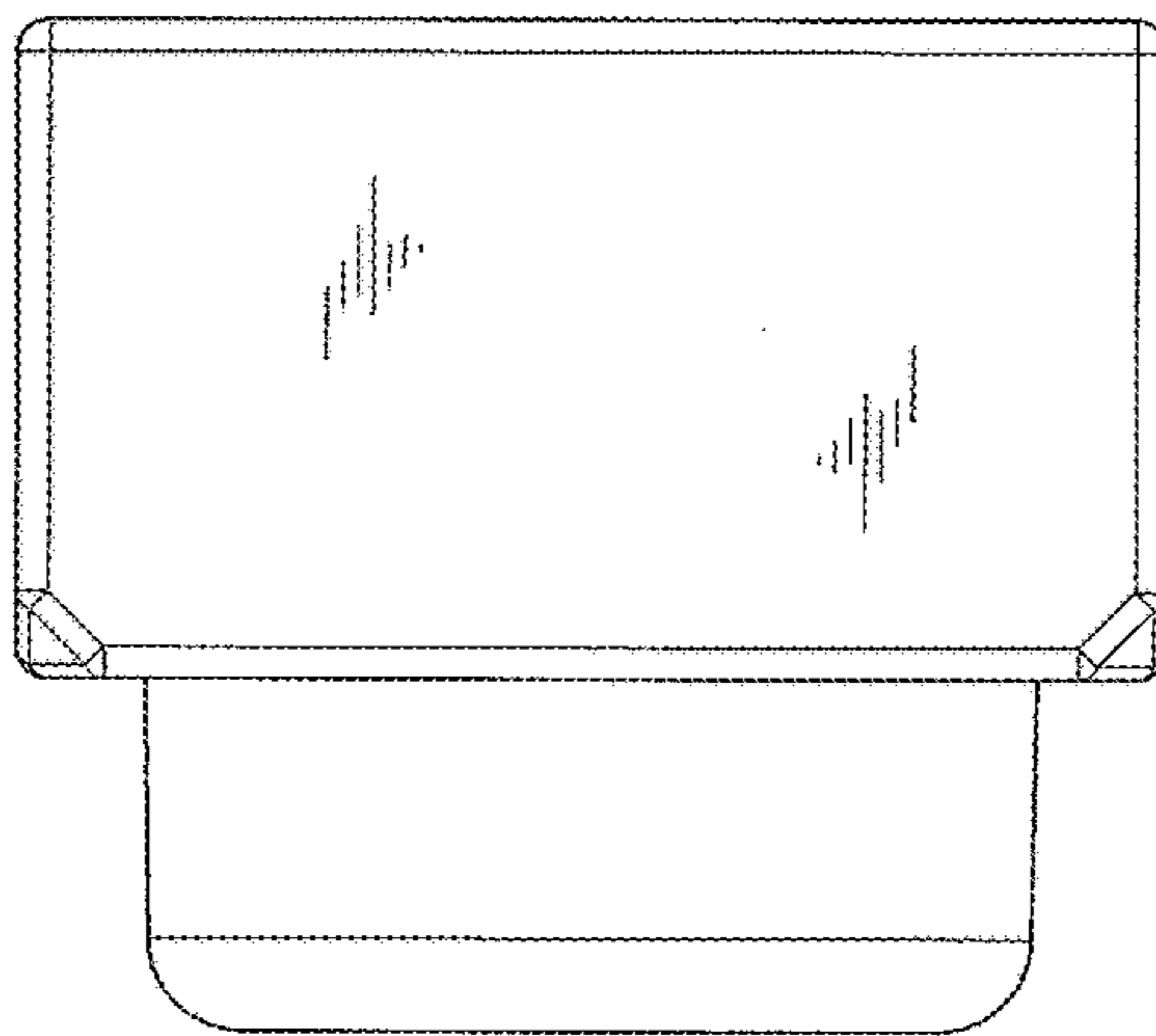


FIG. 3

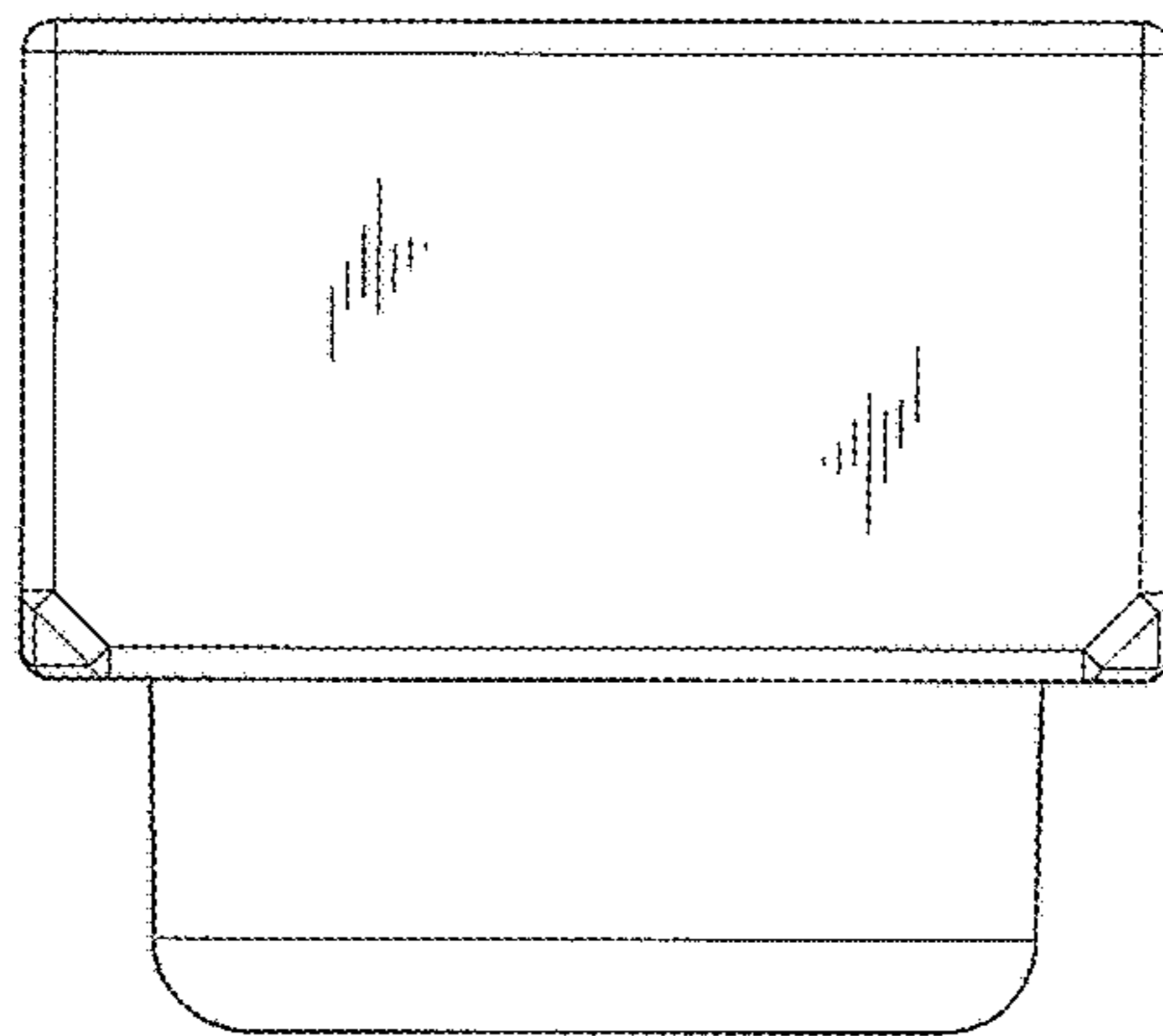


FIG. 4

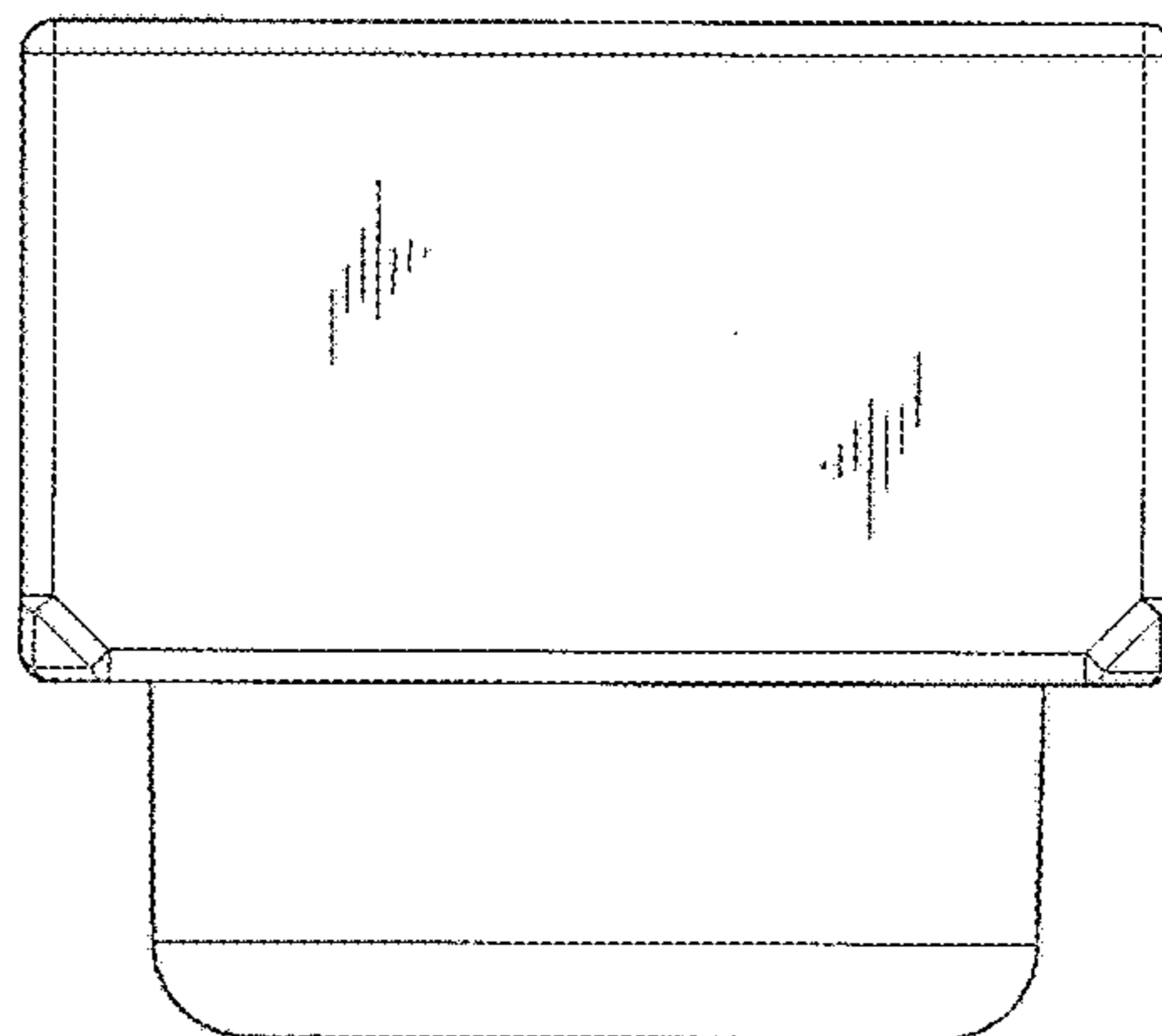


FIG. 5

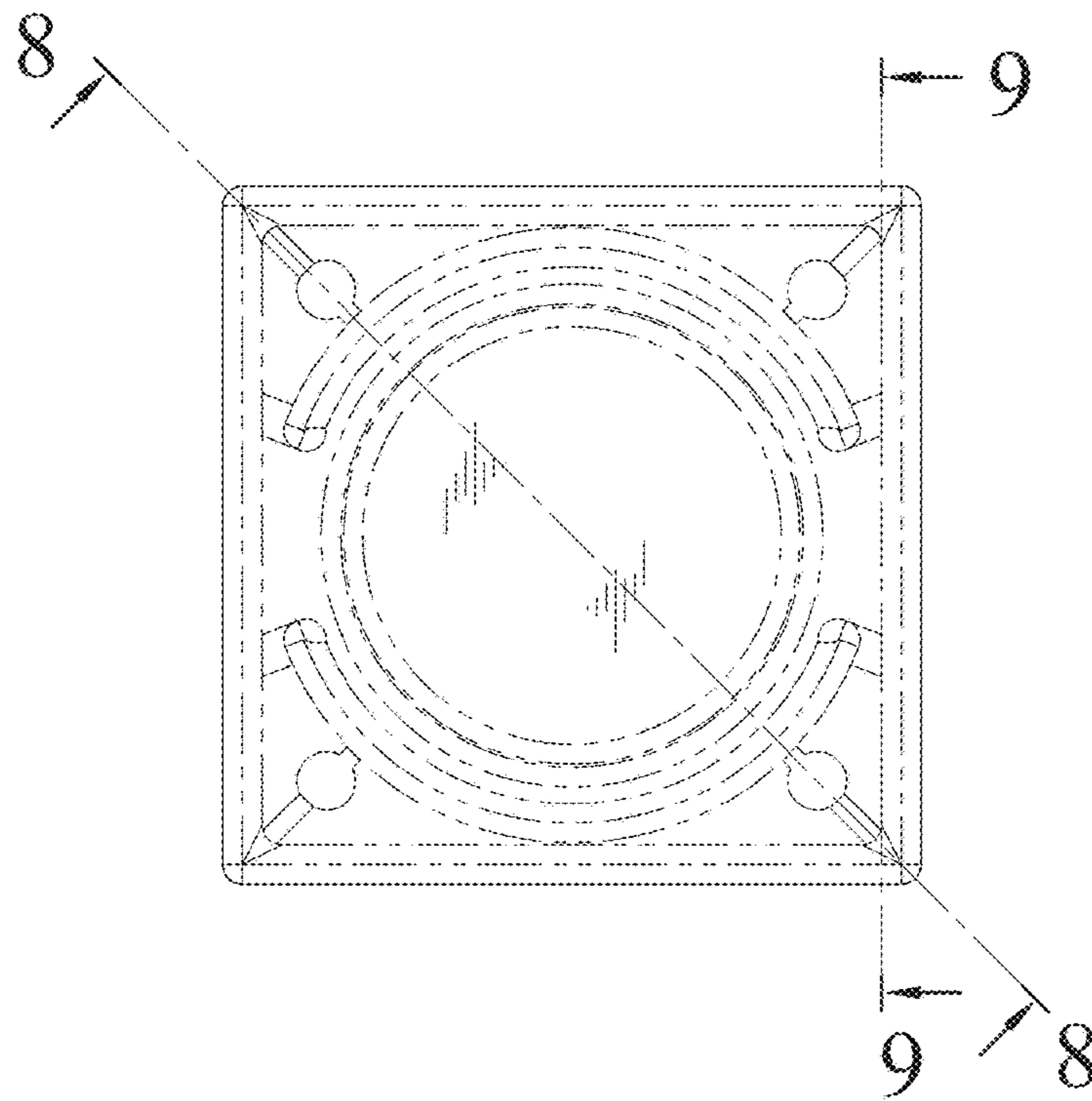


FIG. 6

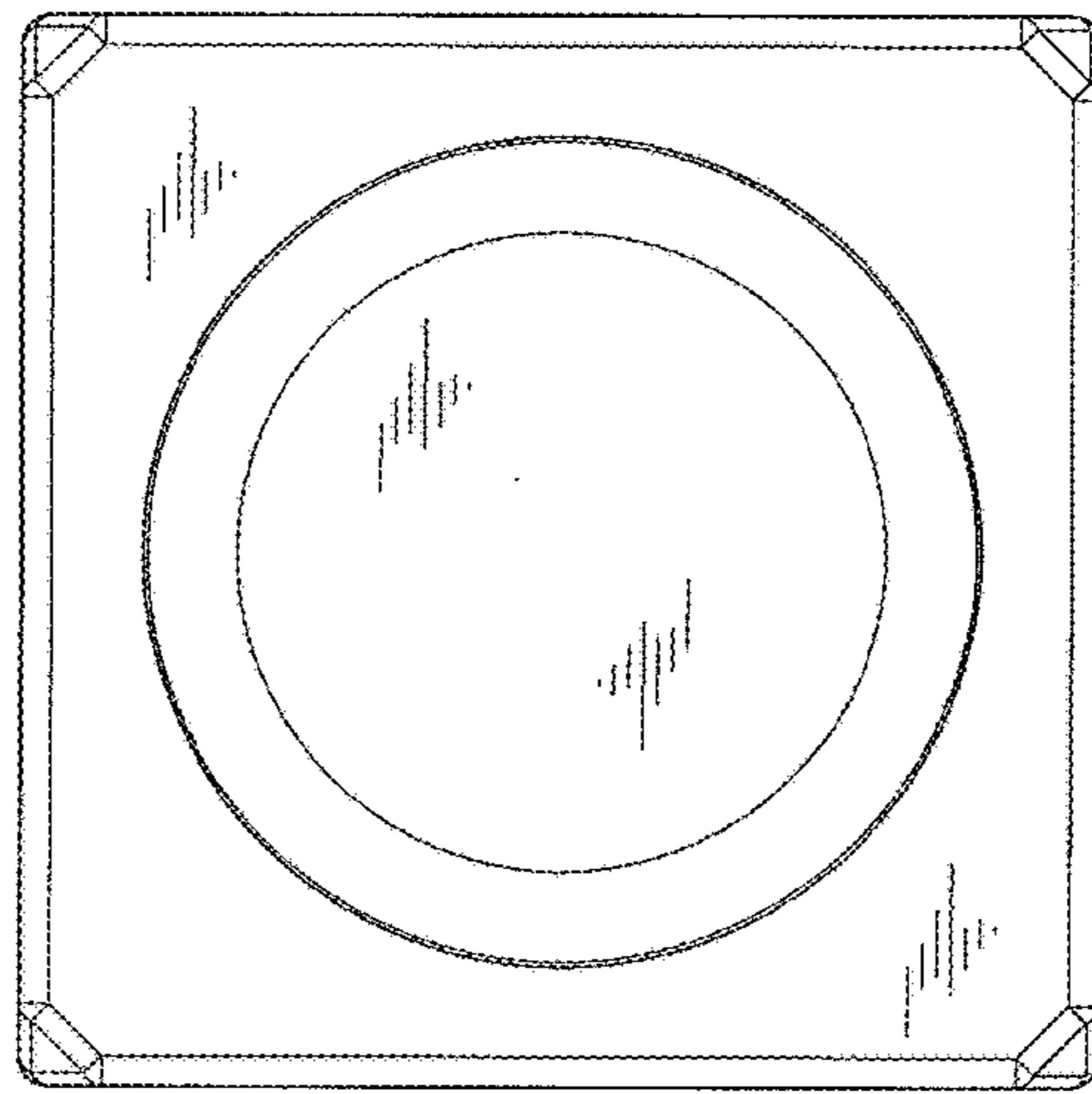


FIG. 7



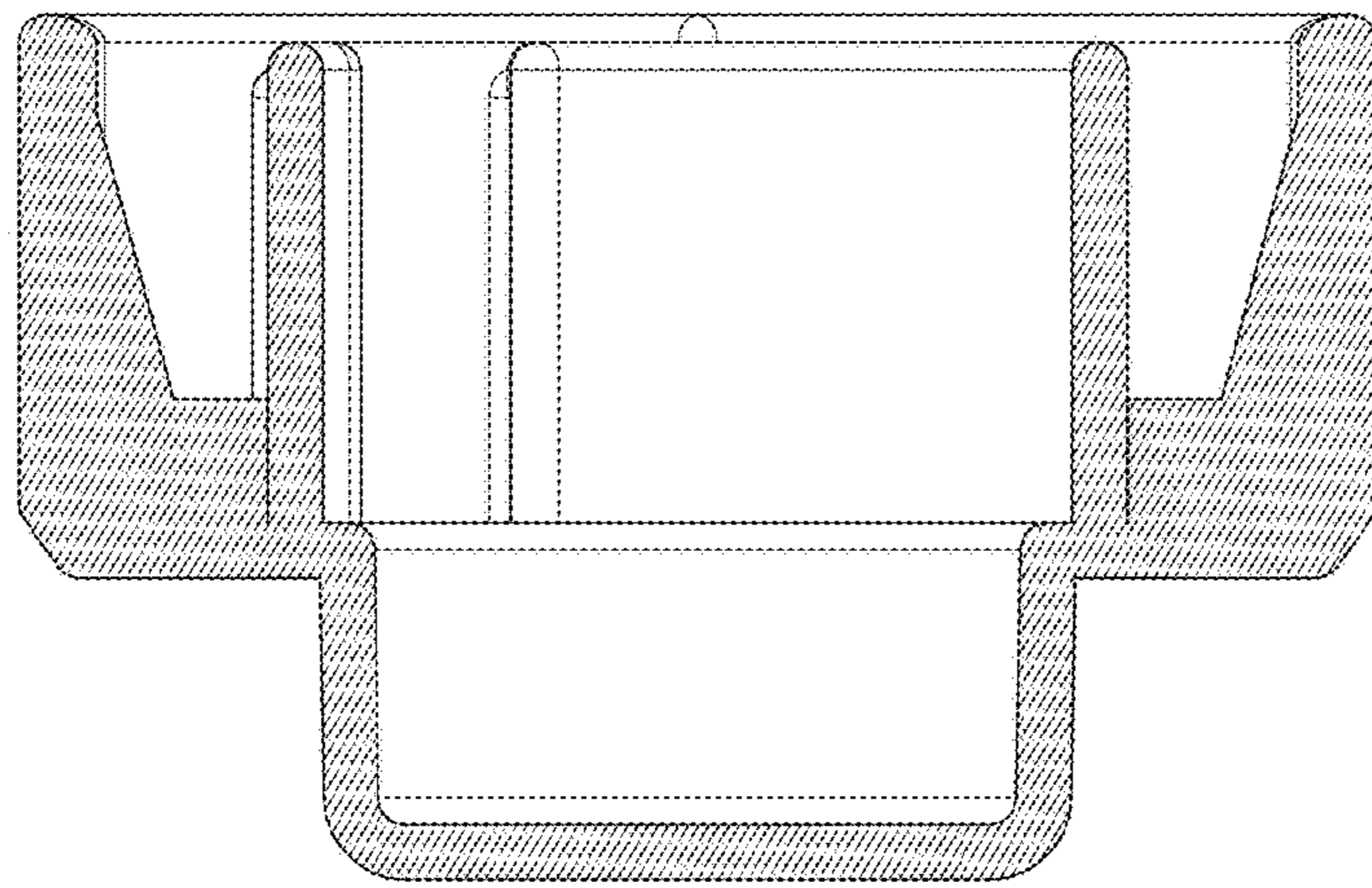


FIG. 8

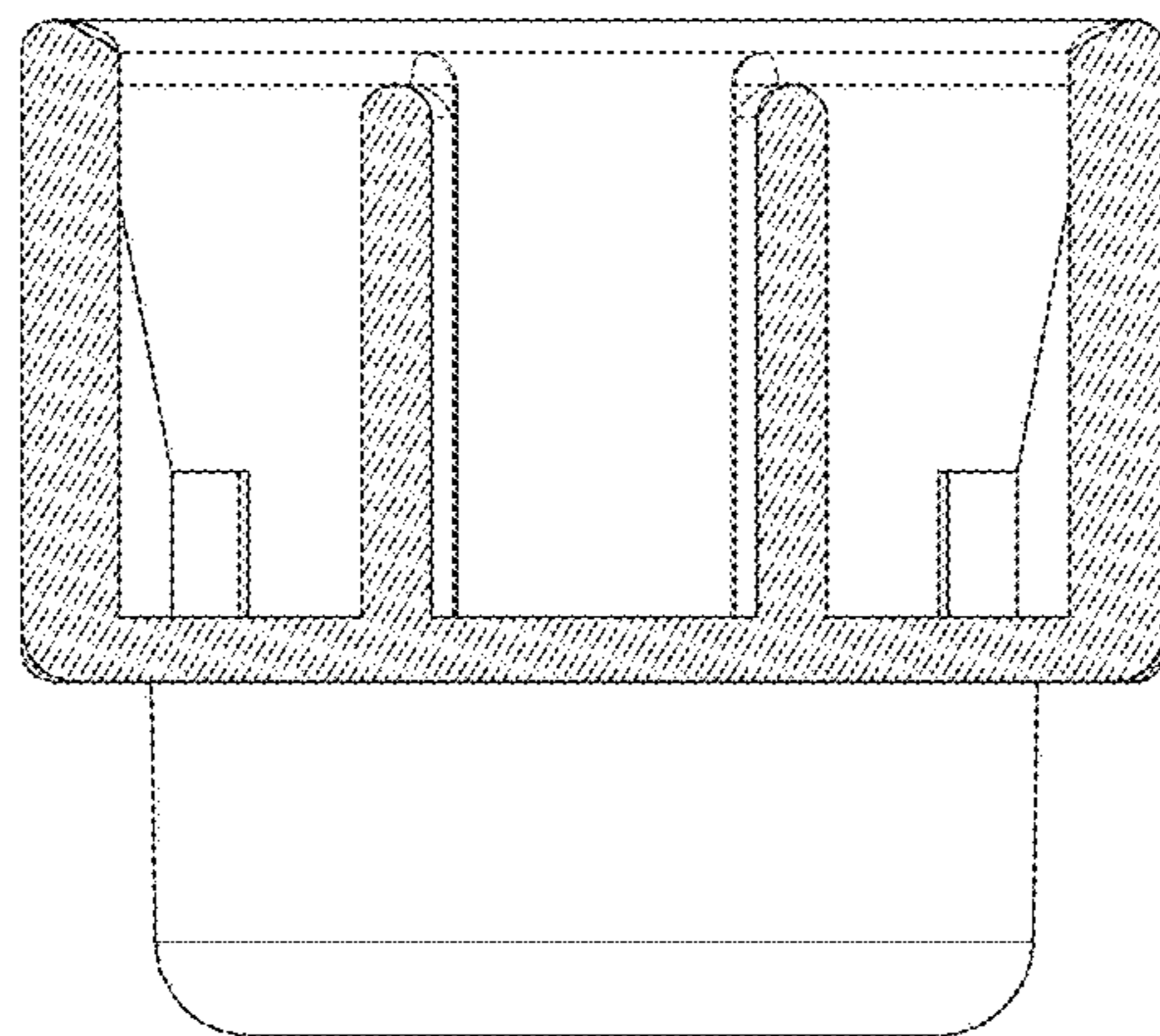


FIG. 9