



US00D849154S

(12) **United States Design Patent**
Zhao

(10) **Patent No.:** **US D849,154 S**

(45) **Date of Patent:** **** May 21, 2019**

(54) **FLYING TOY**

(71) Applicant: **Jianjia Zhao**, Zhangzhou (CN)

(72) Inventor: **Jianjia Zhao**, Zhangzhou (CN)

(**) Term: **15 Years**

(21) Appl. No.: **29/610,069**

(22) Filed: **Jul. 10, 2017**

(51) **LOC (11) Cl.** **21-01**

(52) **U.S. Cl.**
USPC **D21/436**

(58) **Field of Classification Search**
USPC D12/16.1, 319-345; D21/436, 441, 442,
D21/443, 444, 447-454

CPC B64C 2201/141; B64C 39/024; B64C
2201/127

See application file for complete search history.

(56) **References Cited**

U.S. PATENT DOCUMENTS

D197,038 S	*	12/1963	Howard	D12/329
D628,658 S	*	12/2010	Wurm	D21/442
D691,514 S	*	10/2013	Wang	D12/16.1
D710,453 S	*	8/2014	Barajas	D12/16.1
D710,454 S	*	8/2014	Barajas	D12/16.1
D741,779 S	*	10/2015	Hsiao	D12/16.1
D760,624 S	*	7/2016	Balaresque	D12/16.1
D760,848 S	*	7/2016	McKenna	D12/16.1
D763,134 S	*	8/2016	Wang	D12/16.1
D768,539 S	*	10/2016	Lee	D12/16.1
D768,789 S	*	10/2016	Fargeau	D12/16.1
D772,991 S	*	11/2016	Caubel	D12/16.1
D777,263 S	*	1/2017	Lavagen	D12/16.1
D784,202 S	*	4/2017	Park	D12/16.1
D784,854 S	*	4/2017	Huang	D12/16.1
D785,541 S	*	5/2017	Du	D12/328
D795,967 S	*	8/2017	Haley	D12/16.1
D796,586 S	*	9/2017	Chen	D12/16.1
D798,961 S	*	10/2017	Li	D21/441
D800,602 S	*	10/2017	Hsiao	D12/16.1

D801,224 S	*	10/2017	Li	D12/16.1
D803,723 S	*	11/2017	Chen	D12/16.1
D806,606 S	*	1/2018	Morrison	D12/16.1
D810,653 S	*	2/2018	Hu	D12/327
D813,723 S	*	3/2018	Ahn	D12/16.1
D813,724 S	*	3/2018	Hu	D12/16.1
D814,350 S	*	4/2018	Joo	D12/16.1
D814,970 S	*	4/2018	Chen	D12/16.1
D814,971 S	*	4/2018	Huang	D12/16.1
D814,972 S	*	4/2018	Ahn	D12/16.1
D814,973 S	*	4/2018	Li	D12/16.1
D816,546 S	*	5/2018	Wang	D12/16.1
D816,547 S	*	5/2018	Cui	D12/16.1

(Continued)

OTHER PUBLICATIONS

Holy Stone HS160 Shadow FPV RC Drone by amazon. dated Oct. 3, 2017. found online [Jun. 7, 2018] https://www.amazon.com/Holy-Stone-Shadow-Quadcopter-Beginners/dp/B074S2HK59/ref=cm_cr_arp_d_product_top?ie=UTF8.*

(Continued)

Primary Examiner — Marissa J Cash

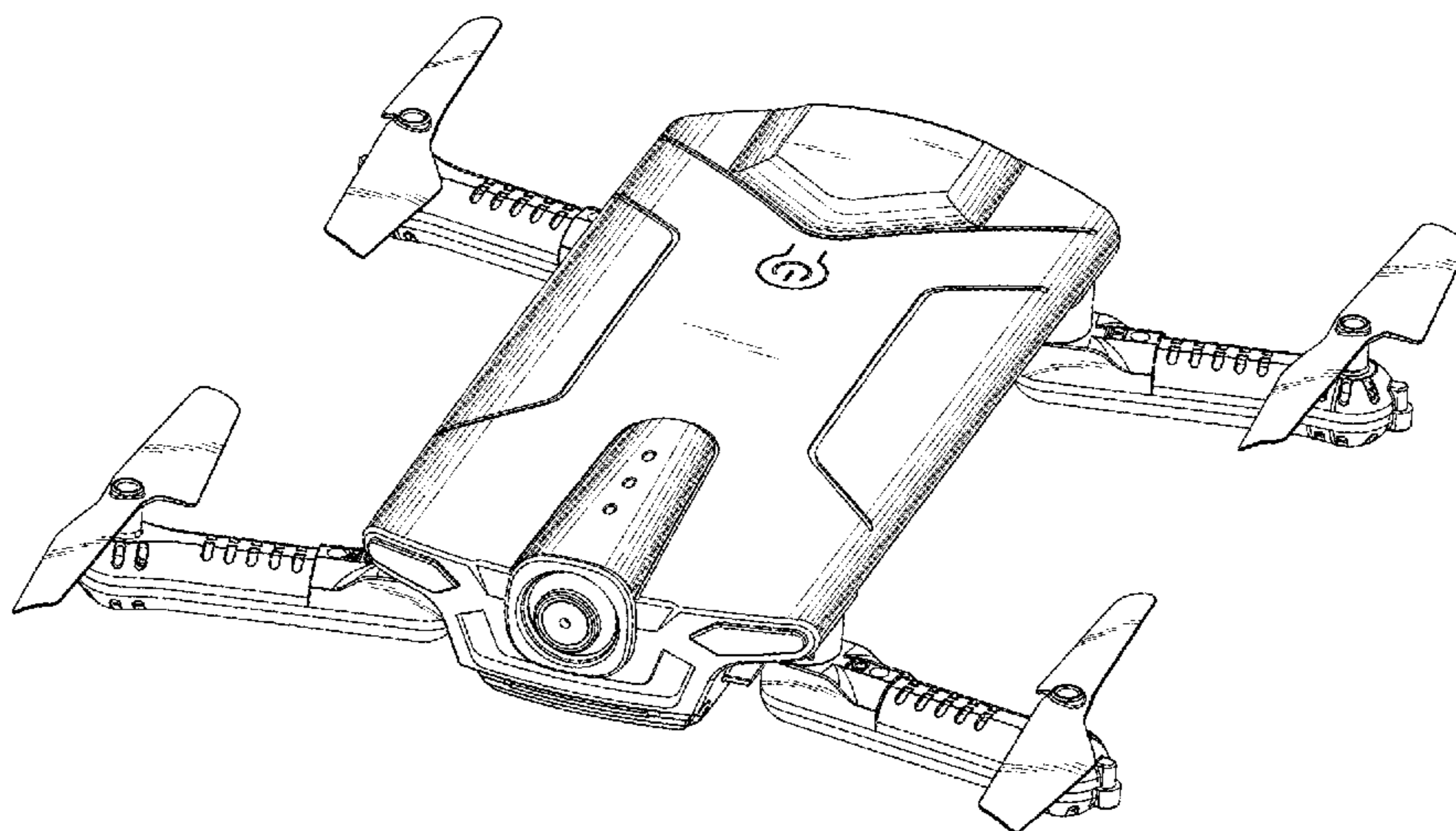
(57) **CLAIM**

The ornamental design for a flying toy, as shown and described.

DESCRIPTION

FIG. 1 is a front elevational view of a flying toy showing my new design;
FIG. 2 is a rear elevational view thereof;
FIG. 3 is a left side elevational view thereof;
FIG. 4 is a right side elevational view thereof;
FIG. 5 is a top plan view thereof;
FIG. 6 is a bottom plan view thereof; and,
FIG. 7 is a front perspective view thereof.
The broken lines in the drawings depict portions of the flying toy that form no part of the claimed design.

1 Claim, 7 Drawing Sheets



(56)

References Cited

U.S. PATENT DOCUMENTS

D816,582 S * 5/2018 Liang D12/328
D818,872 S * 5/2018 Ho D12/16.1
2017/0129601 A1* 5/2017 Babel B64C 27/08
2017/0197718 A1* 7/2017 Buchmueller B64D 1/22
2017/0267334 A1* 9/2017 Tsai B64C 25/10
2017/0269609 A1* 9/2017 Bradlow G05D 1/102
2017/0283050 A1* 10/2017 Baek B64C 27/08
2017/0301109 A1* 10/2017 Chan G06T 7/75
2017/0340176 A1* 11/2017 Liao A47L 1/02
2018/0009527 A1* 1/2018 Von Novak, III B64C 39/024
2018/0105271 A1* 4/2018 Wypyszynski B64D 1/00

OTHER PUBLICATIONS

Pocket Video Drone by Sharper Image. dated May 26, 2016. found online [Jun. 7, 2018] <https://www.sharperimage.com/si/view/product/Pocket+Video+Drone/206088#product-details>.*

Wingsland S6 Pocket Drone by Drones Visual on YouTube. dated Nov. 16, 2016. found online [Jun. 7, 2018] <https://www.youtube.com/watch?v=BO8szBlzqgw>.*

DHD D5 Mini Foldable RC Pocket Drone by ijual. dated 2018. found online [Jun. 7, 2018] <https://www.ijual.my/pubview/acc/8f10ef0027a7/usr/7fda67428d06/pro/5212bf466ef8a402>.*

* cited by examiner

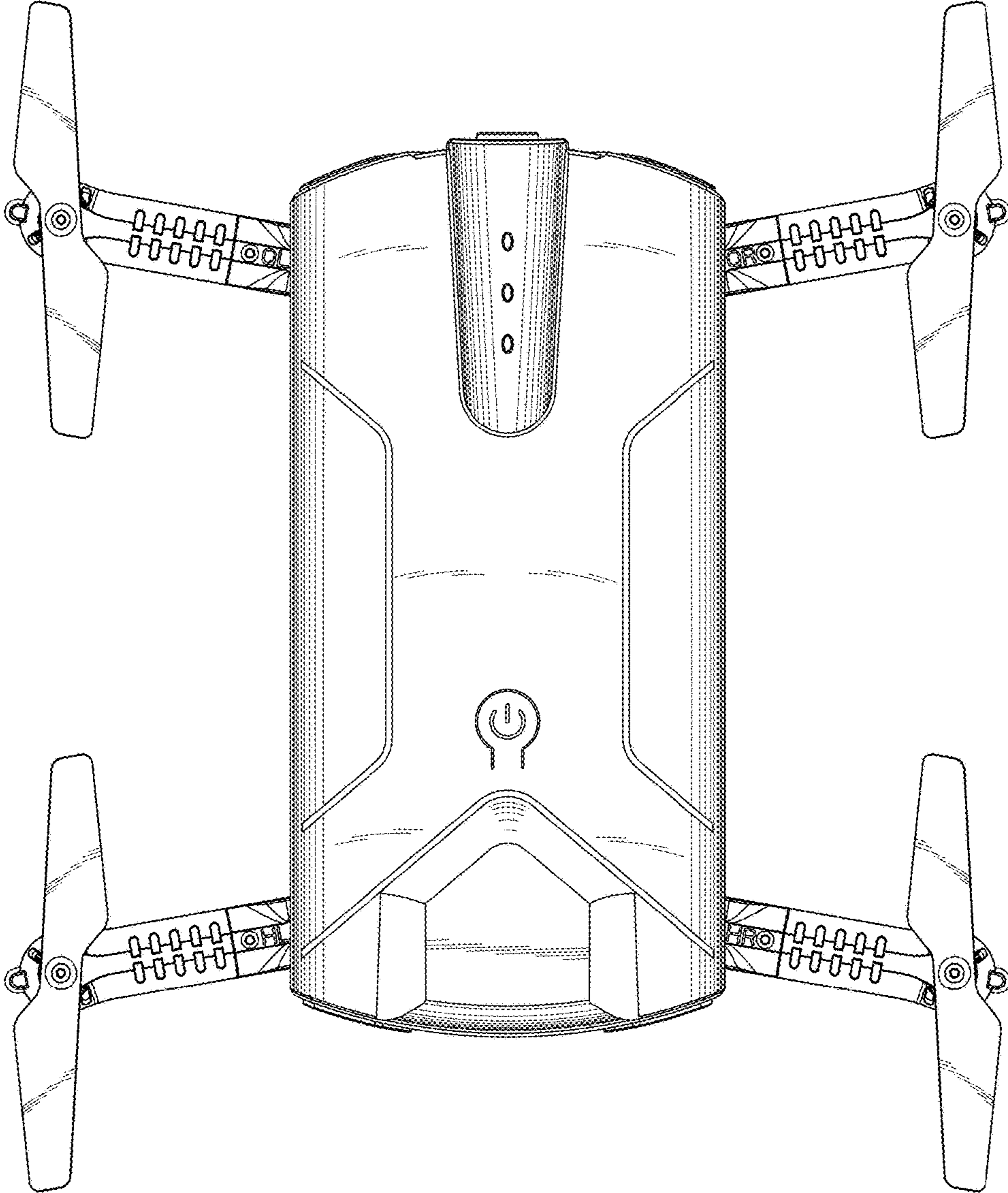


FIG. 1

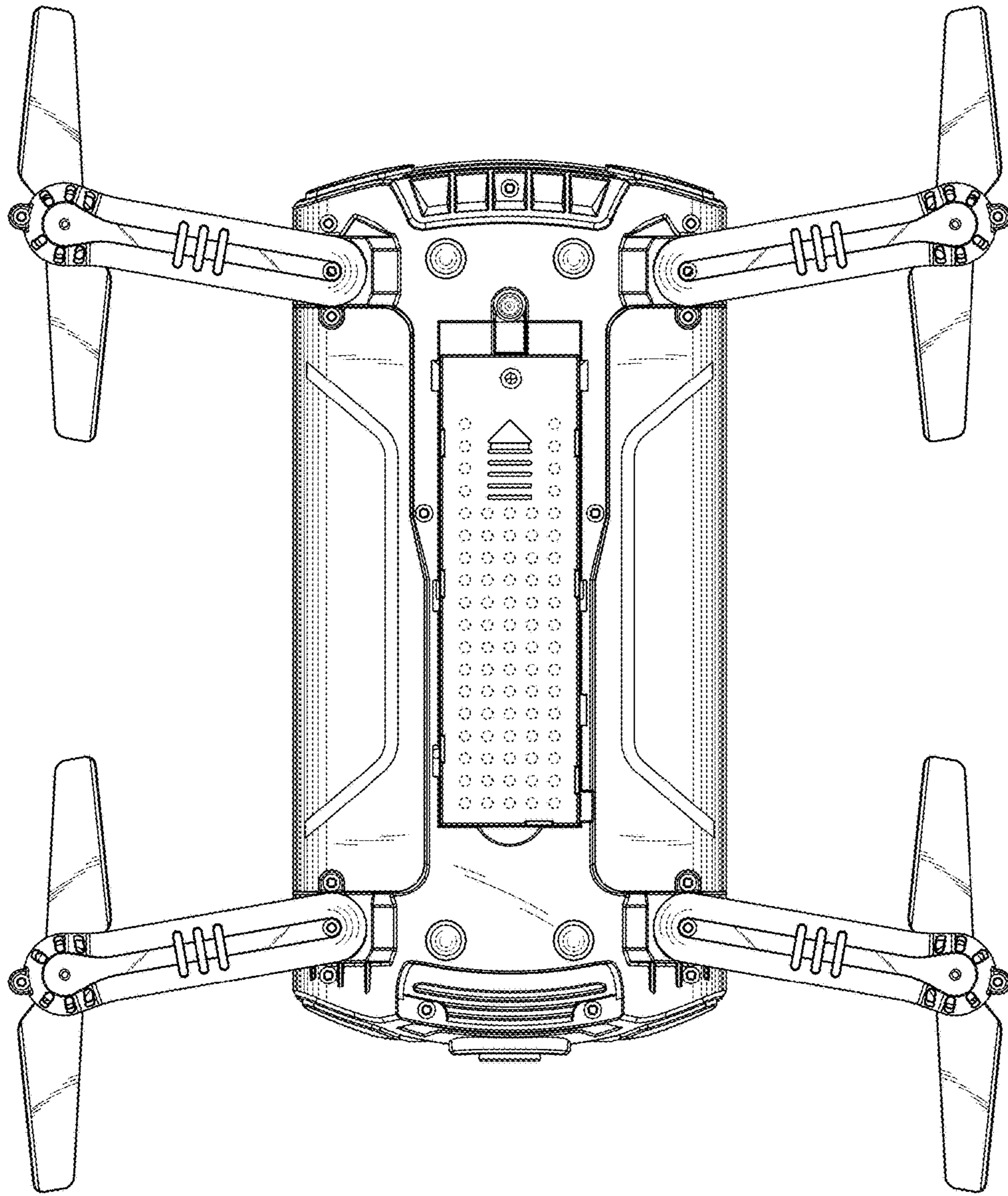


FIG.2

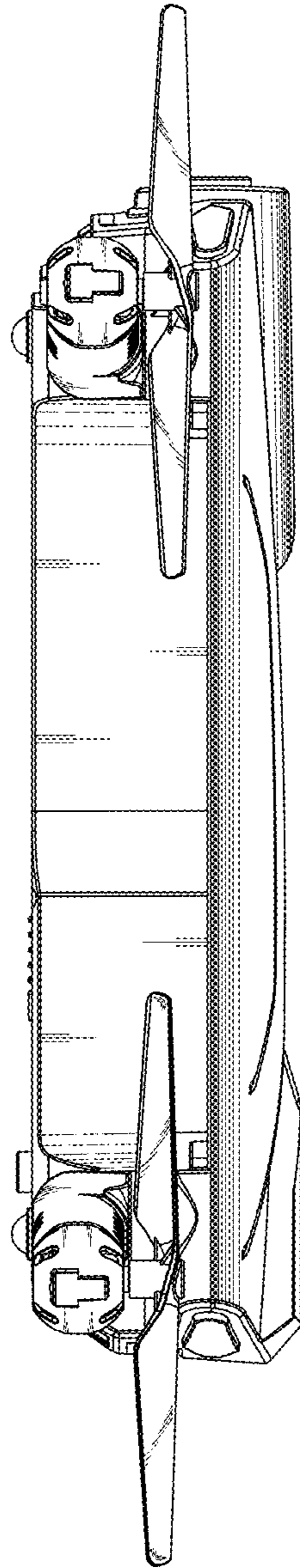


FIG.3

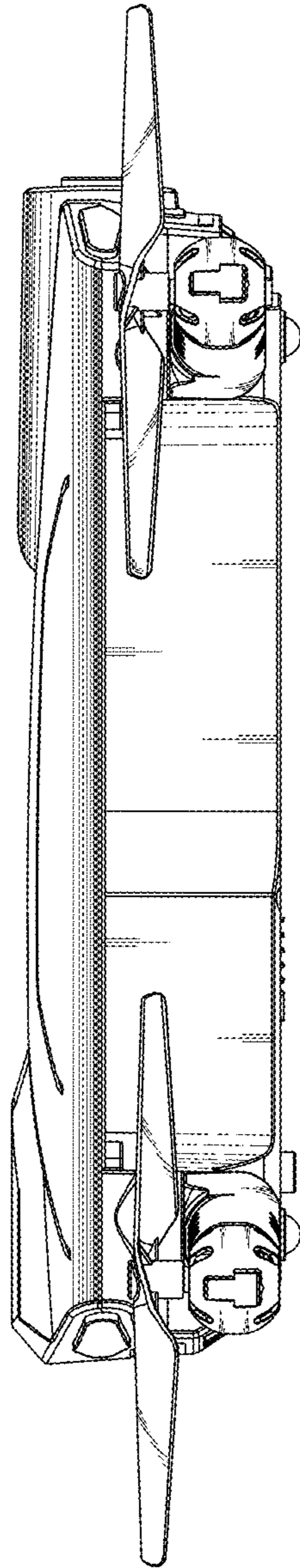


FIG.4

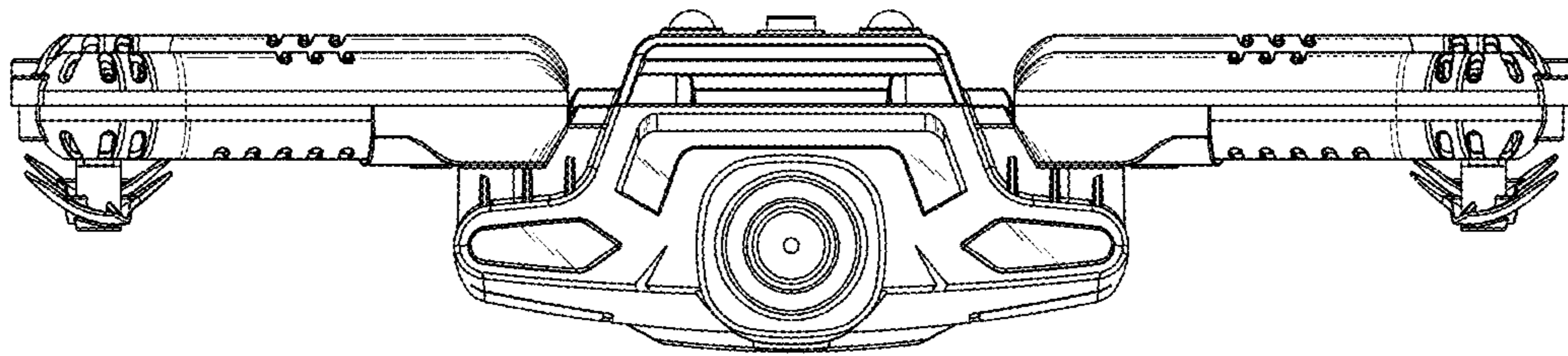


FIG.5

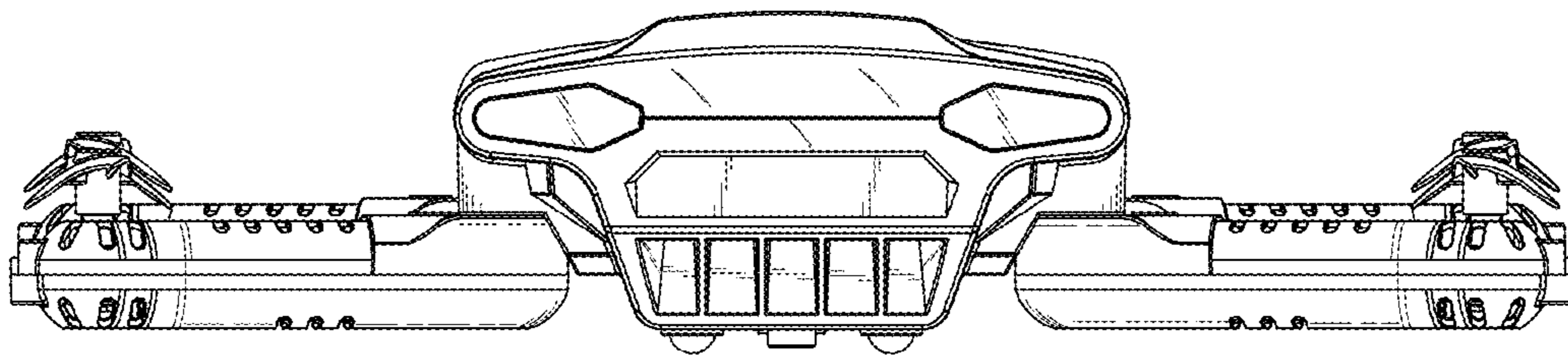


FIG.6

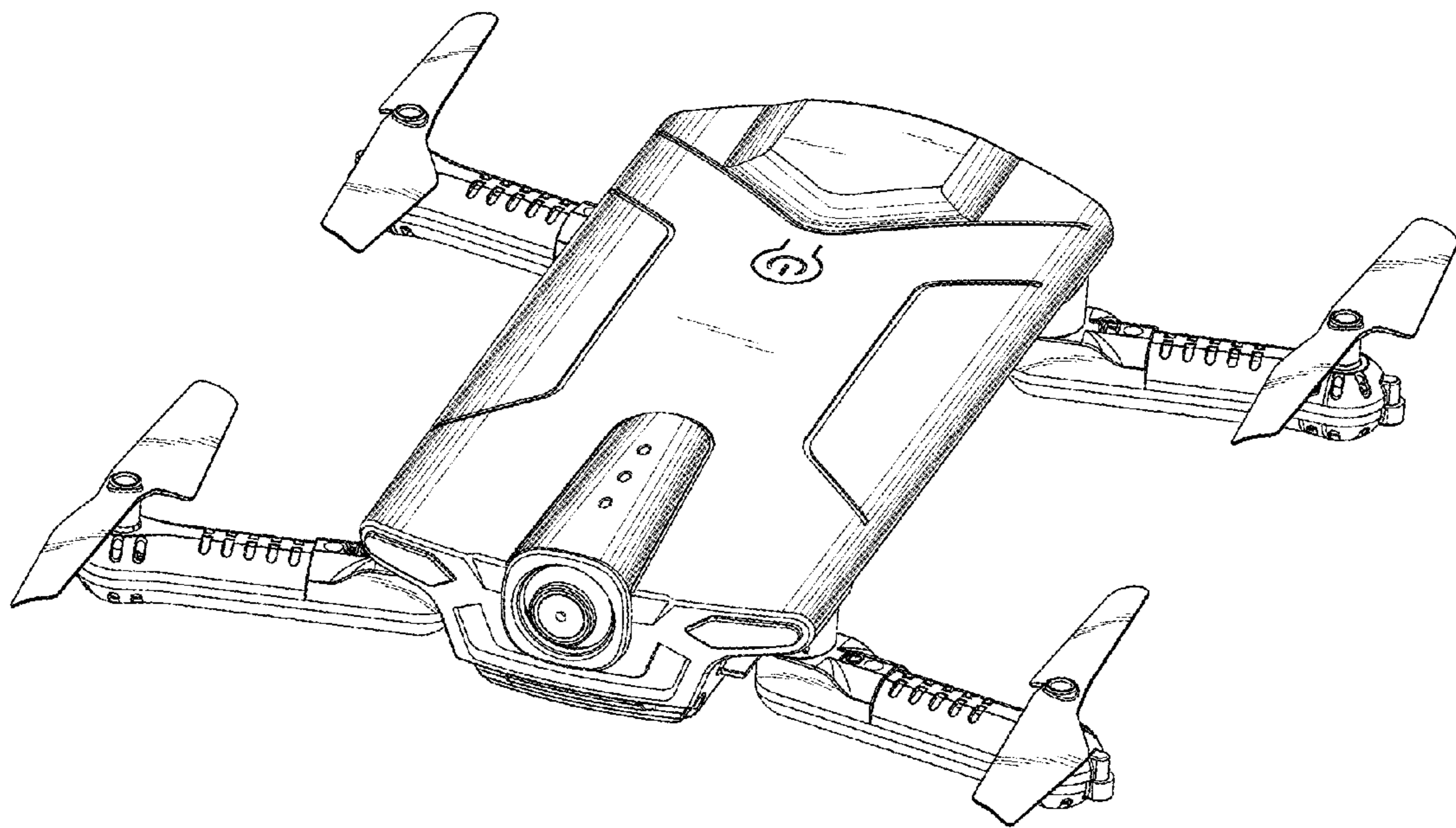


FIG.7