



US00D849153S

(12) **United States Design Patent** (10) **Patent No.:** **US D849,153 S**
Zhang et al. (45) **Date of Patent:** **** May 21, 2019**

(54) **SCOOTER**

(71) Applicant: **Shenzhen Chitado Technology CO., LTD.**, Shenzhen, Guangdong (CN)

(72) Inventors: **Dianxuan Zhang**, Guangdong (CN); **Dengjin Zhou**, Guangdong (CN); **Yang Zhang**, Guangdong (CN); **Fuqi Zhou**, Guangdong (CN); **Huihai Zeng**, Guangdong (CN)

(73) Assignee: **Shenzhen Chitado Technology Co. Ltd** (CN)

(**) Term: **15 Years**

(21) Appl. No.: **29/643,398**

(22) Filed: **Apr. 9, 2018**

(30) **Foreign Application Priority Data**

Oct. 9, 2017 (CN) 2017 3 0477580

(51) **LOC (11) Cl.** **21-01**

(52) **U.S. Cl.**
USPC **D21/423**

(58) **Field of Classification Search**
USPC D21/419, 421, 423, 426-428, 435, 760, D21/765, 771; D12/1, 8, 108, 111, 112, D12/113
CPC . B62K 3/002; B62K 9/00; B62K 9/02; B62K 13/00; B62K 2202/00

See application file for complete search history.

(56) **References Cited**

U.S. PATENT DOCUMENTS

| | | | |
|--------------|---------|--------------|---------|
| D447,188 S * | 8/2001 | Lan | D21/423 |
| D492,367 S * | 6/2004 | Dennis | D21/423 |
| D497,397 S * | 10/2004 | Sramek | D21/423 |
| D756,465 S * | 5/2016 | Byrne | D21/423 |
| D810,836 S * | 2/2018 | Hadley | D21/423 |
| D829,826 S * | 10/2018 | Liu | D21/423 |
| D835,206 S * | 12/2018 | Lin | D21/423 |

* cited by examiner

Primary Examiner — Cynthia M. Chin

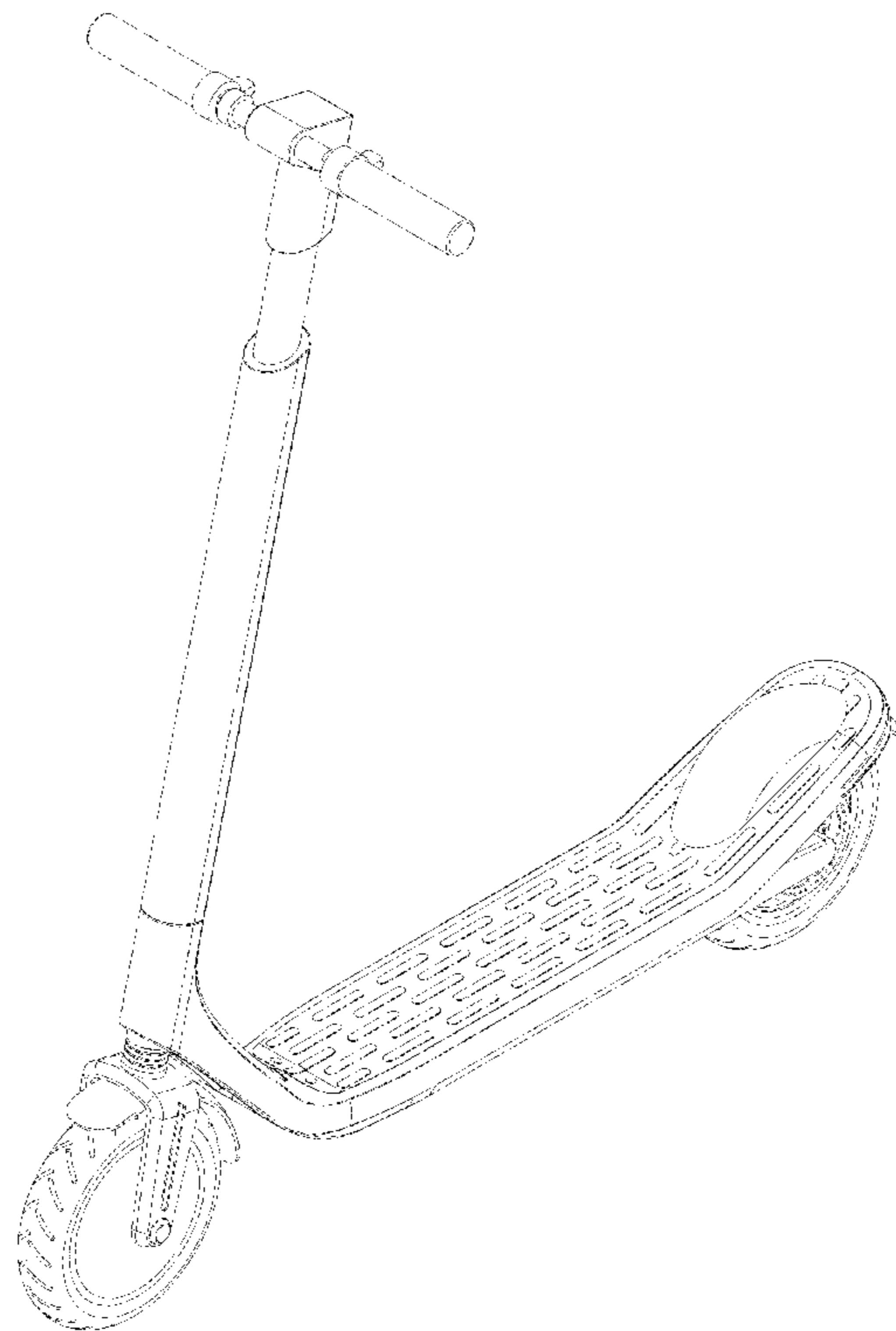
(57) **CLAIM**

The ornamental design for a scooter, as shown and described.

DESCRIPTION

FIG. 1 is a front view of the scooter showing our new design; FIG. 2 is a back view thereof; FIG. 3 is a left side view thereof; FIG. 4 is a right side view thereof; FIG. 5 is a top view thereof; FIG. 6 is a bottom view thereof; FIG. 7 is a top perspective view thereof; FIG. 8 is a bottom perspective view thereof; FIG. 9 is a perspective view thereof; wherein the scooter is in a folded position; and, FIG. 10 is left side view thereof, wherein the scooter is in a folded position.

1 Claim, 10 Drawing Sheets



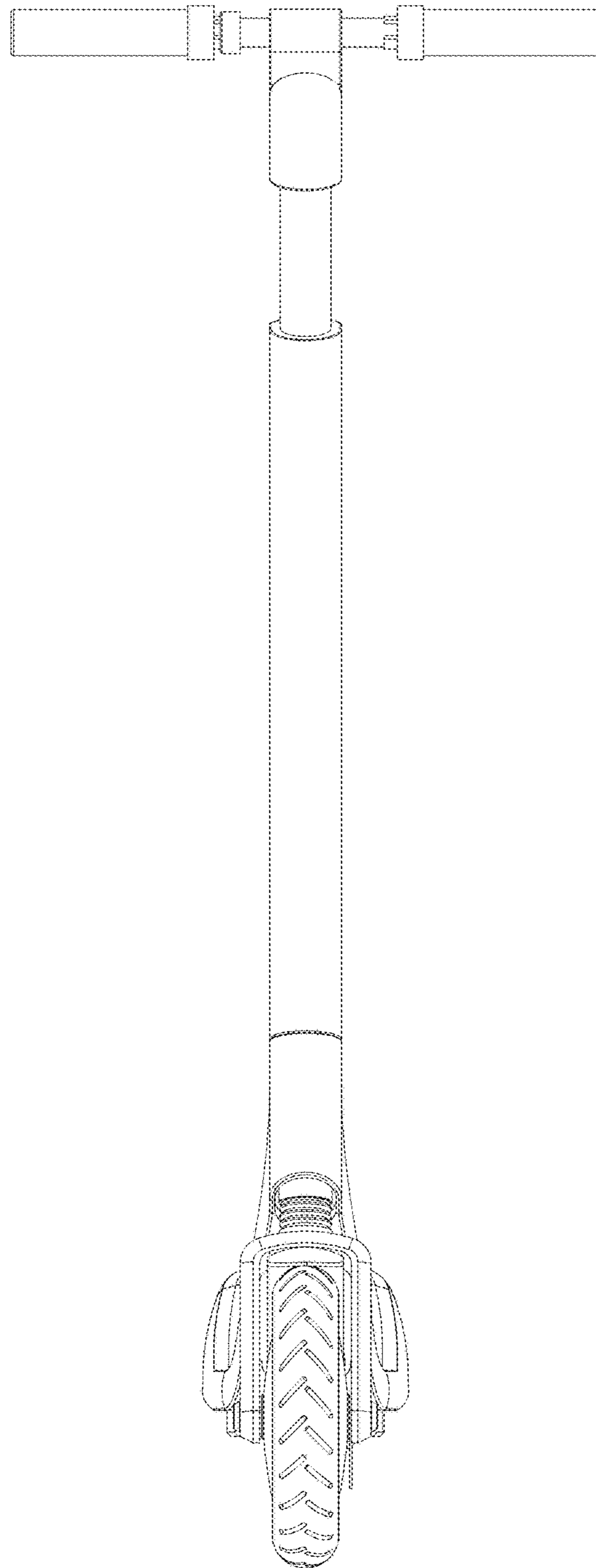


FIG. 1

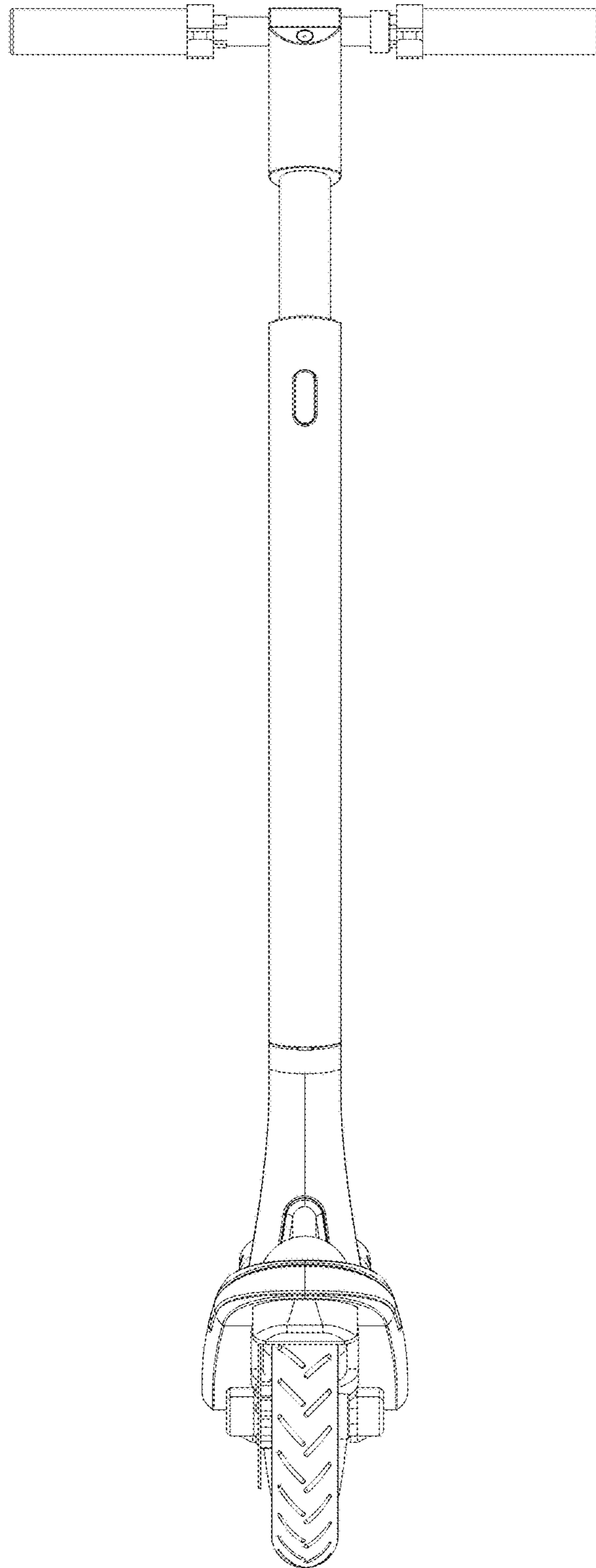


FIG. 2

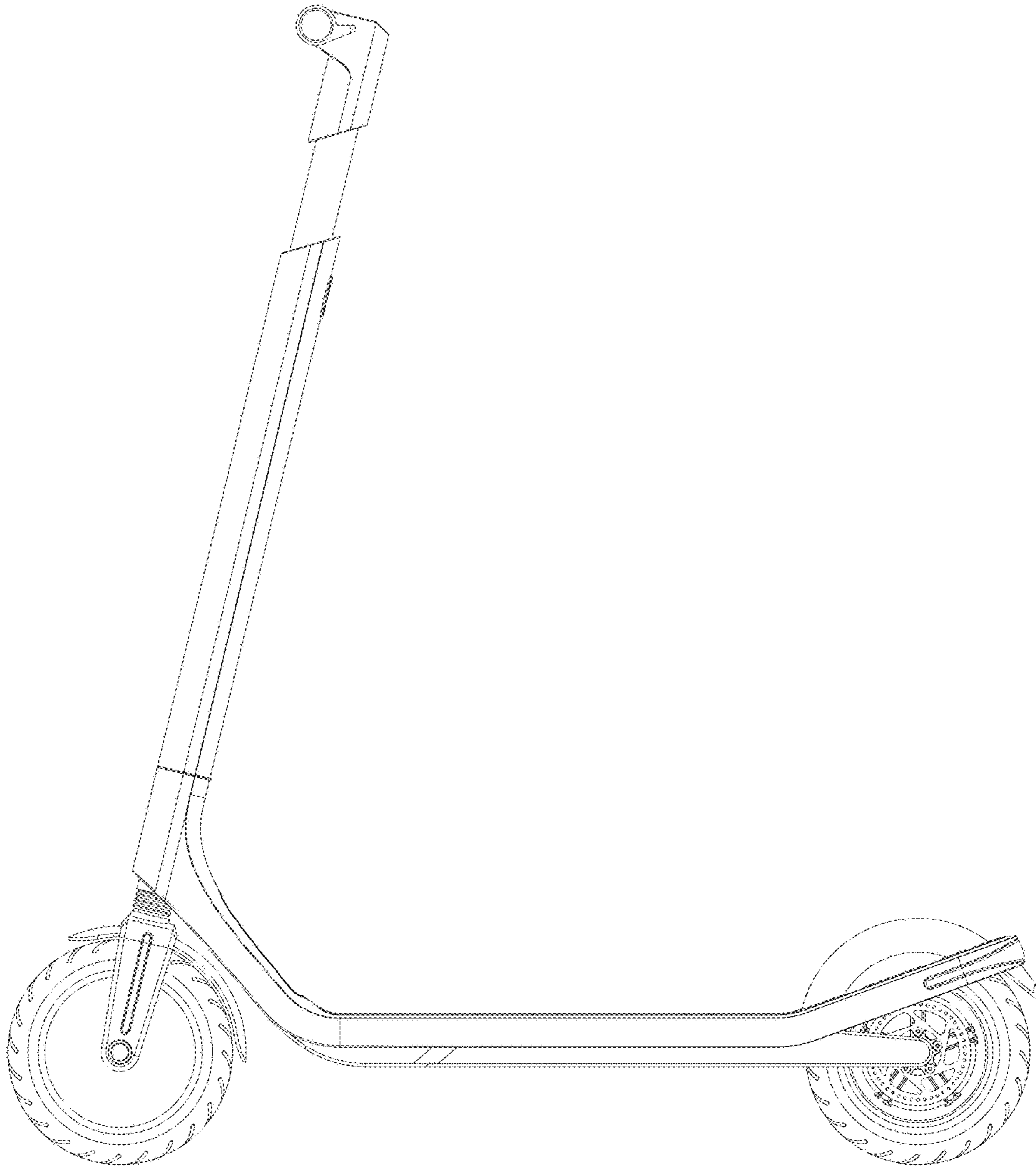


FIG. 3

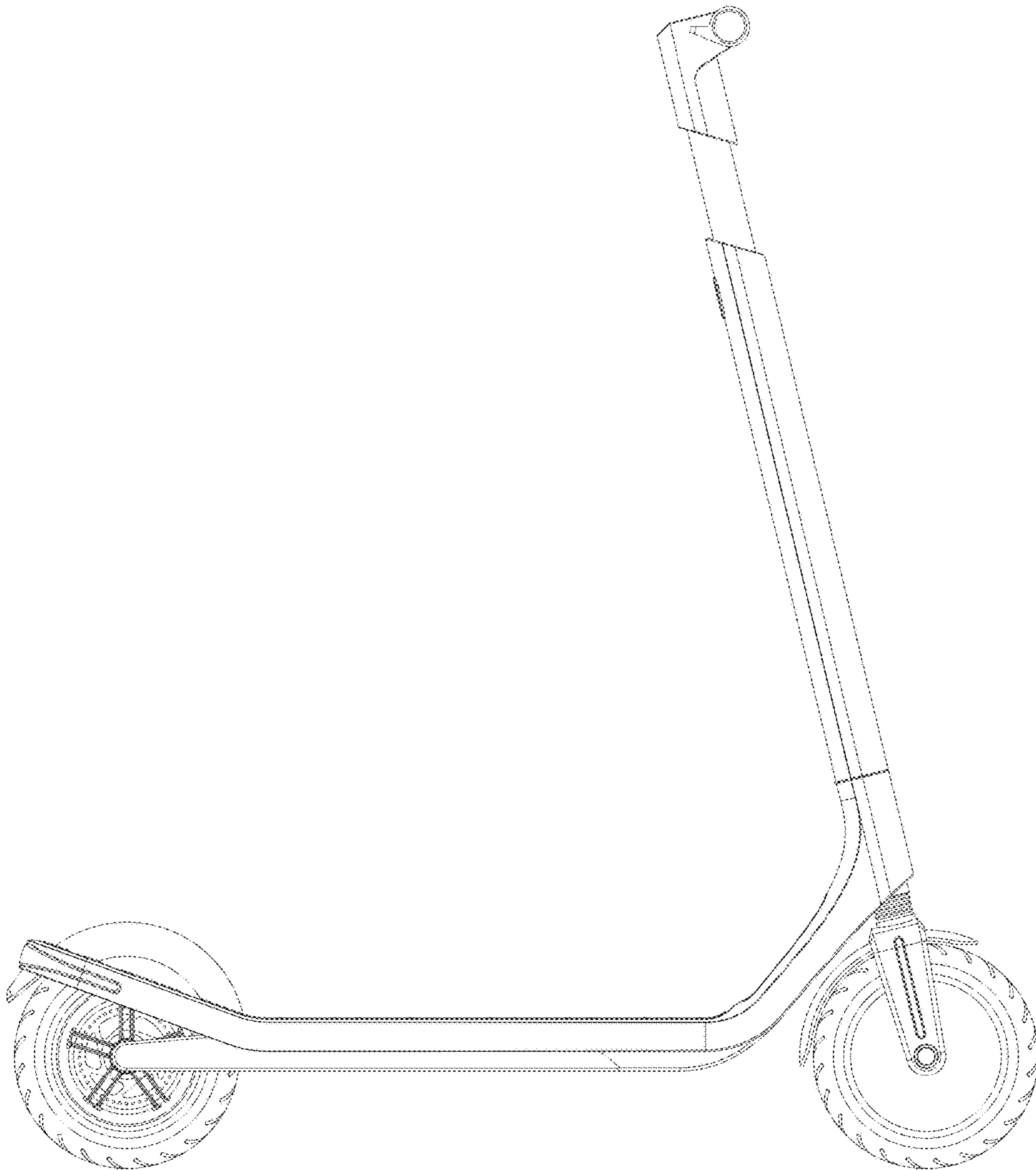


FIG. 4

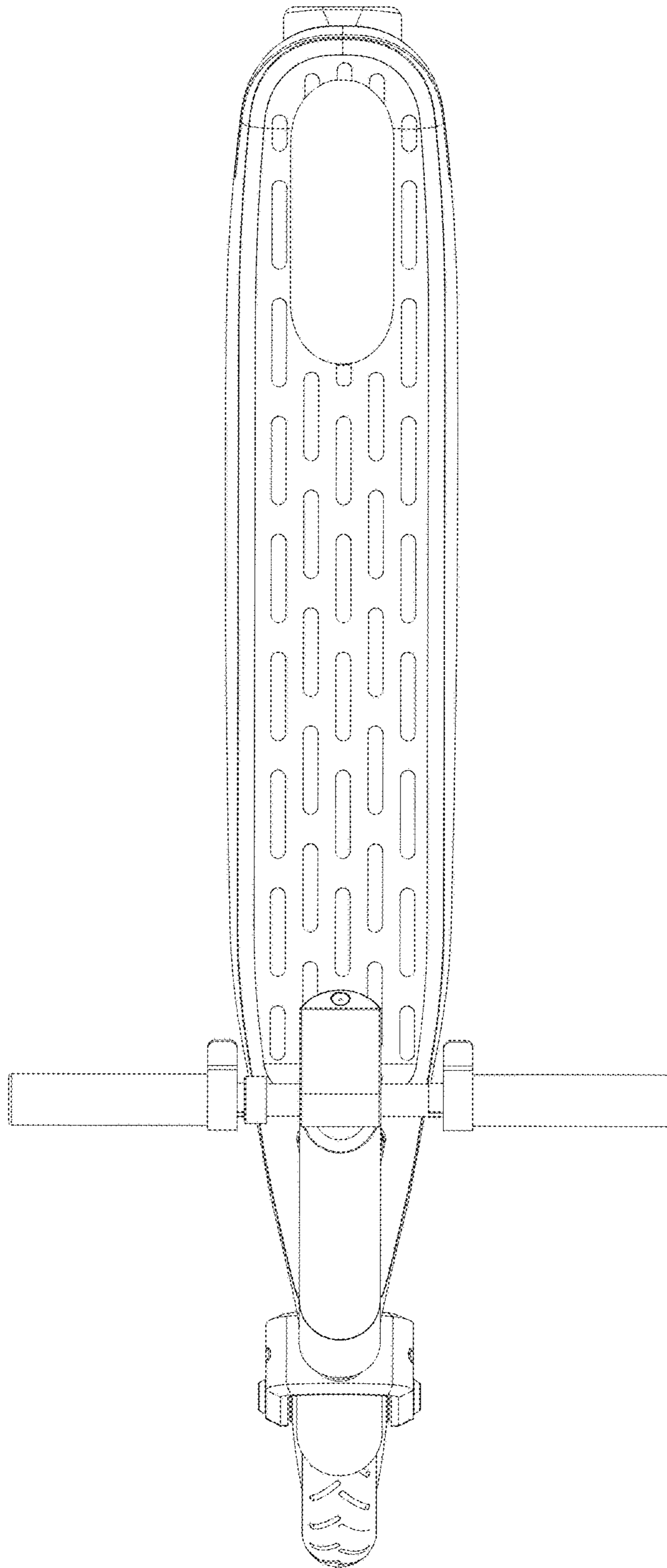


FIG. 5

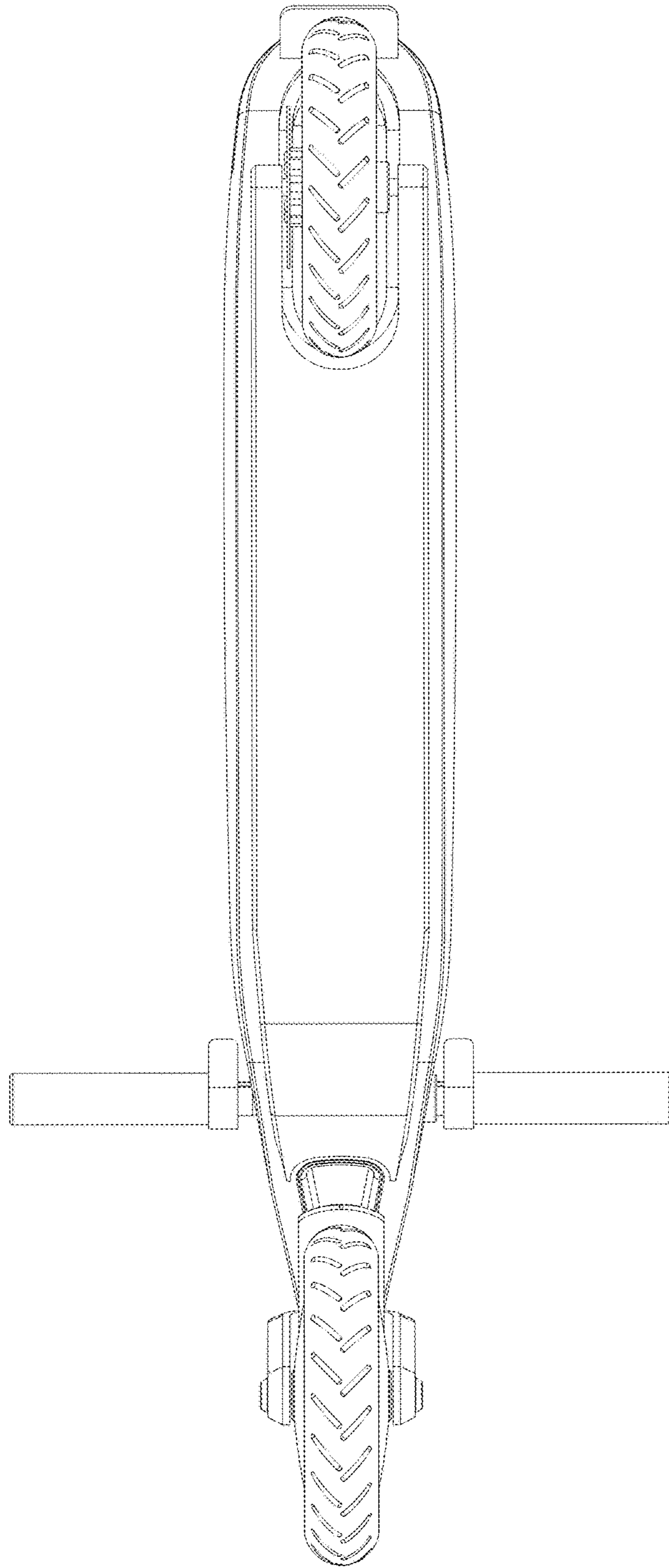


FIG. 6

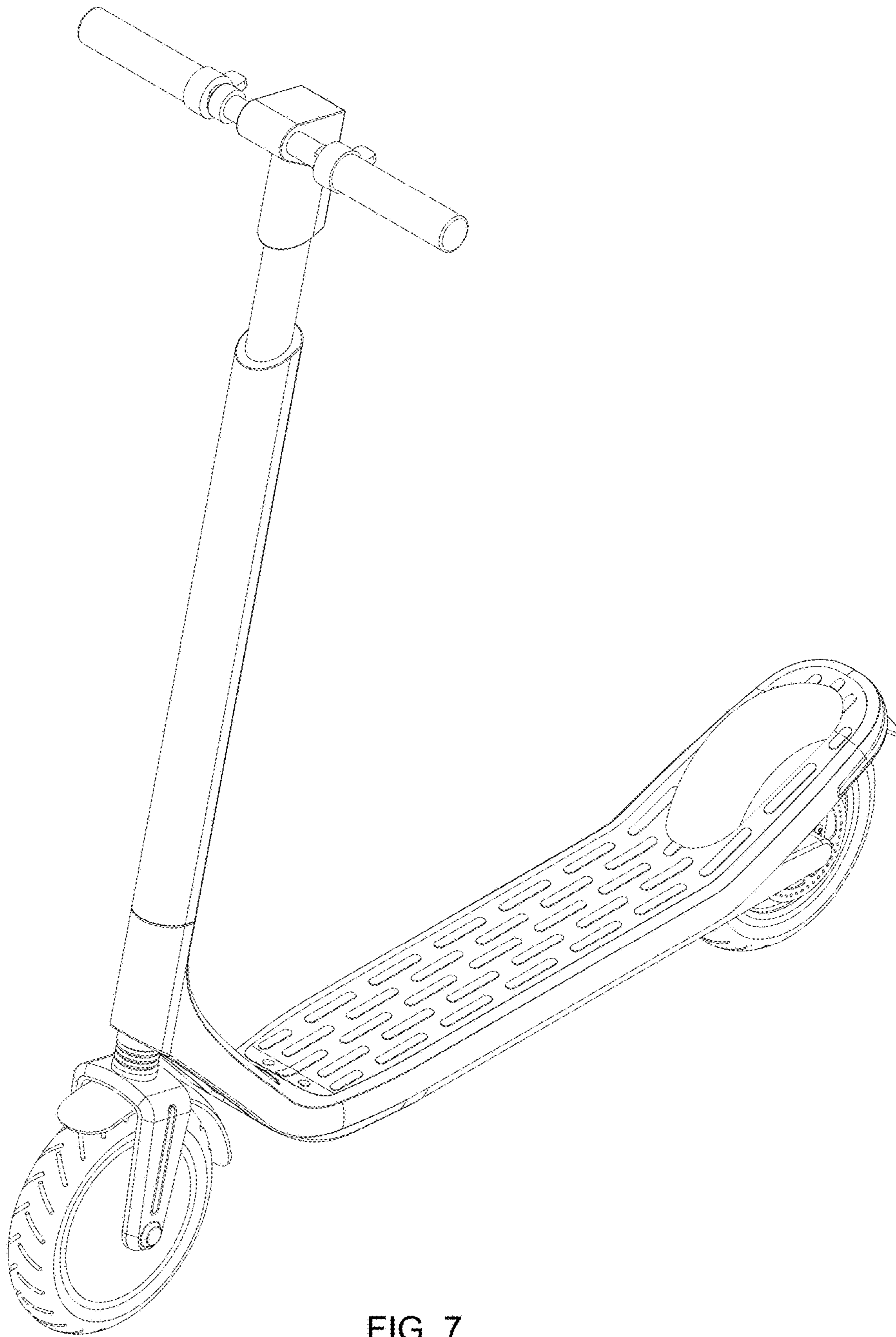


FIG. 7

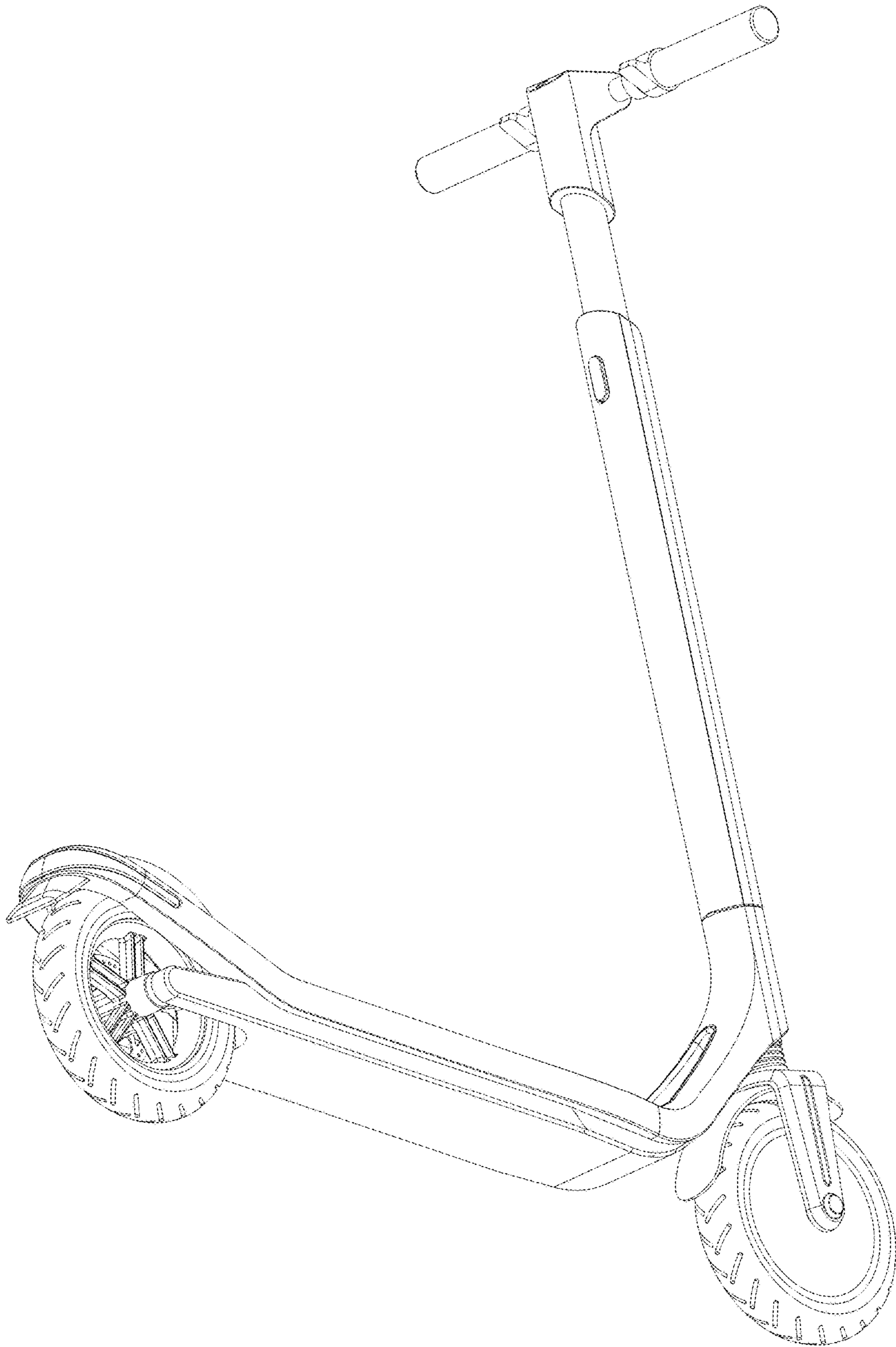


FIG. 8

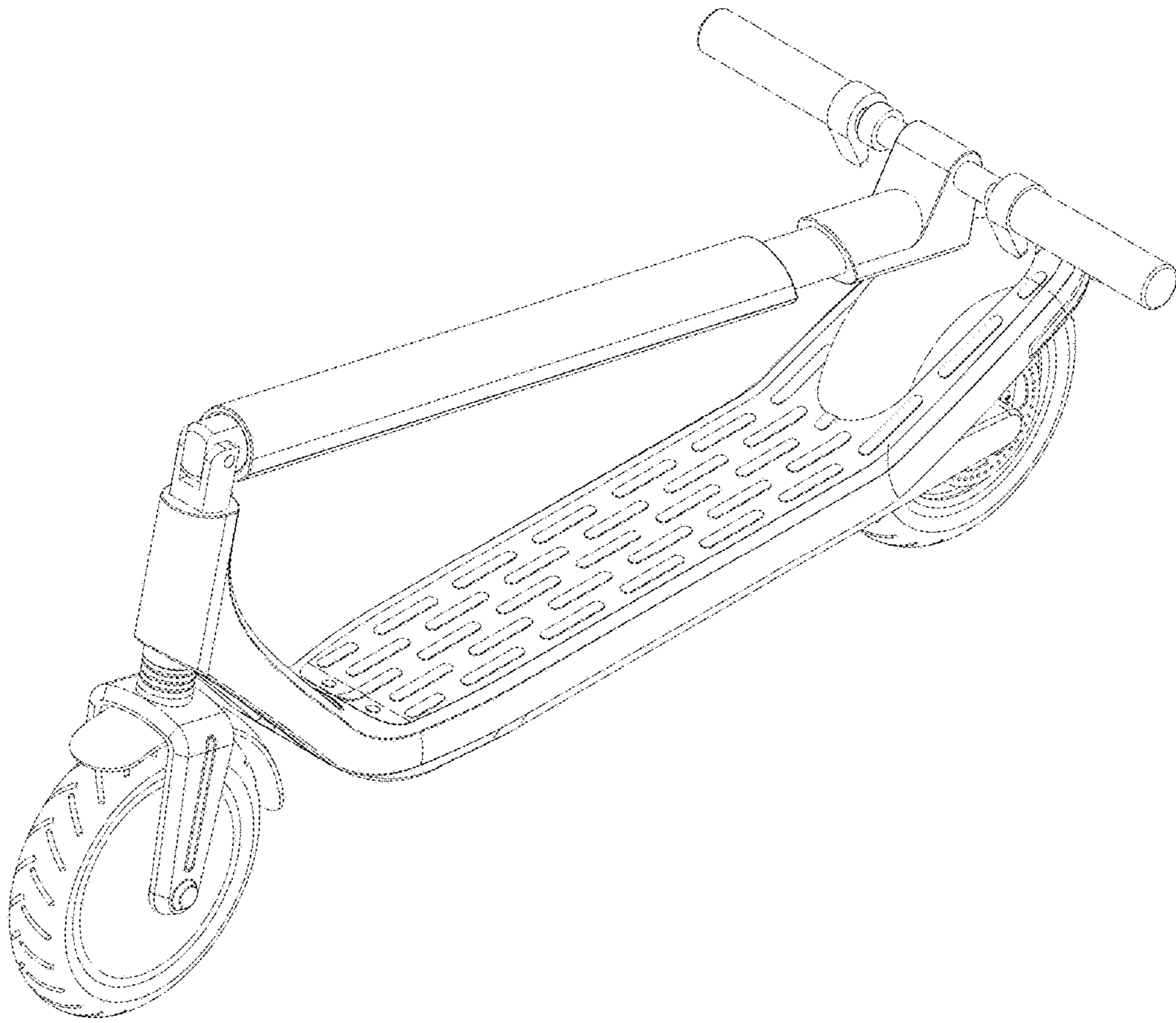


FIG. 9

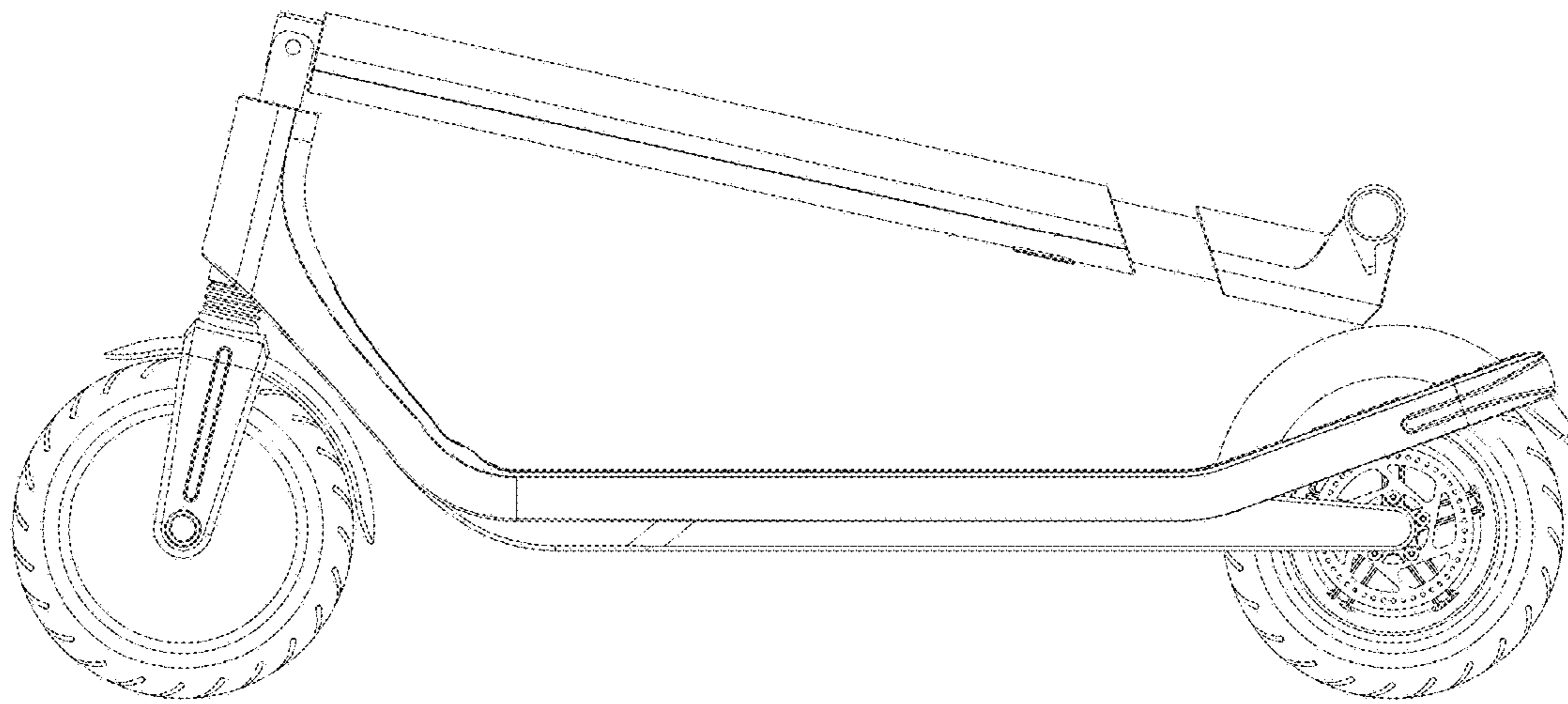


FIG. 10