

US00D849149S

(12) **United States Design Patent** (10) **Patent No.:** **US D849,149 S**
Bussey et al. (45) **Date of Patent:** **** May 21, 2019**

(54) **GAMING MACHINE**
(71) Applicant: **Everi Games Inc.**, Austin, TX (US)
(72) Inventors: **Travis Bussey**, Austin, TX (US);
Daniel Gibson, Austin, TX (US); **Craig Gallagher**, Austin, TX (US)
(73) Assignee: **Everi Games, Inc.**, Austin, TX (US)
(**) Term: **15 Years**
(21) Appl. No.: **29/619,218**
(22) Filed: **Sep. 27, 2017**
(51) **LOC (11) Cl.** **21-03**
(52) **U.S. Cl.**
USPC **D21/369**
(58) **Field of Classification Search**
USPC D21/369, 370, 371, 385, 329, 325, 394;
D14/307, 172, 129, 325, 401, 371, 126,
D14/439, 432, 450, 128, 375, 248, 374,
D14/341, 138 G, 127; 463/28, 13, 11,
463/16, 20, 25, 31, 46, 23, 30, 17, 36, 29,
463/42, 34, 32, 35, 19, 21, 22; 273/292,
273/203, 138.2, 143 R, 142 R, 138.1;
D19/60; D16/226; D8/335, 331, 334;
D26/141; D7/641
CPC G07F 17/32; G07F 17/34; G07F 17/3211;
G07F 17/3244; G07F 17/3267
See application file for complete search history.

D723,626 S * 3/2015 Vasquez D21/370
D763,361 S * 8/2016 Rosander D21/370
9,704,337 B2 * 7/2017 Riggs G07F 17/3258
D810,833 S * 2/2018 Rosander D21/370
D813,954 S * 3/2018 Calhoun D21/369
D826,338 S * 8/2018 Bussey D21/369
2008/0113794 A1 * 5/2008 Cole G07F 17/32
463/31
2013/0084948 A1 * 4/2013 Watkins G07F 17/3276
463/23
2018/0082523 A1 * 3/2018 Palermo G07F 17/3216
* cited by examiner

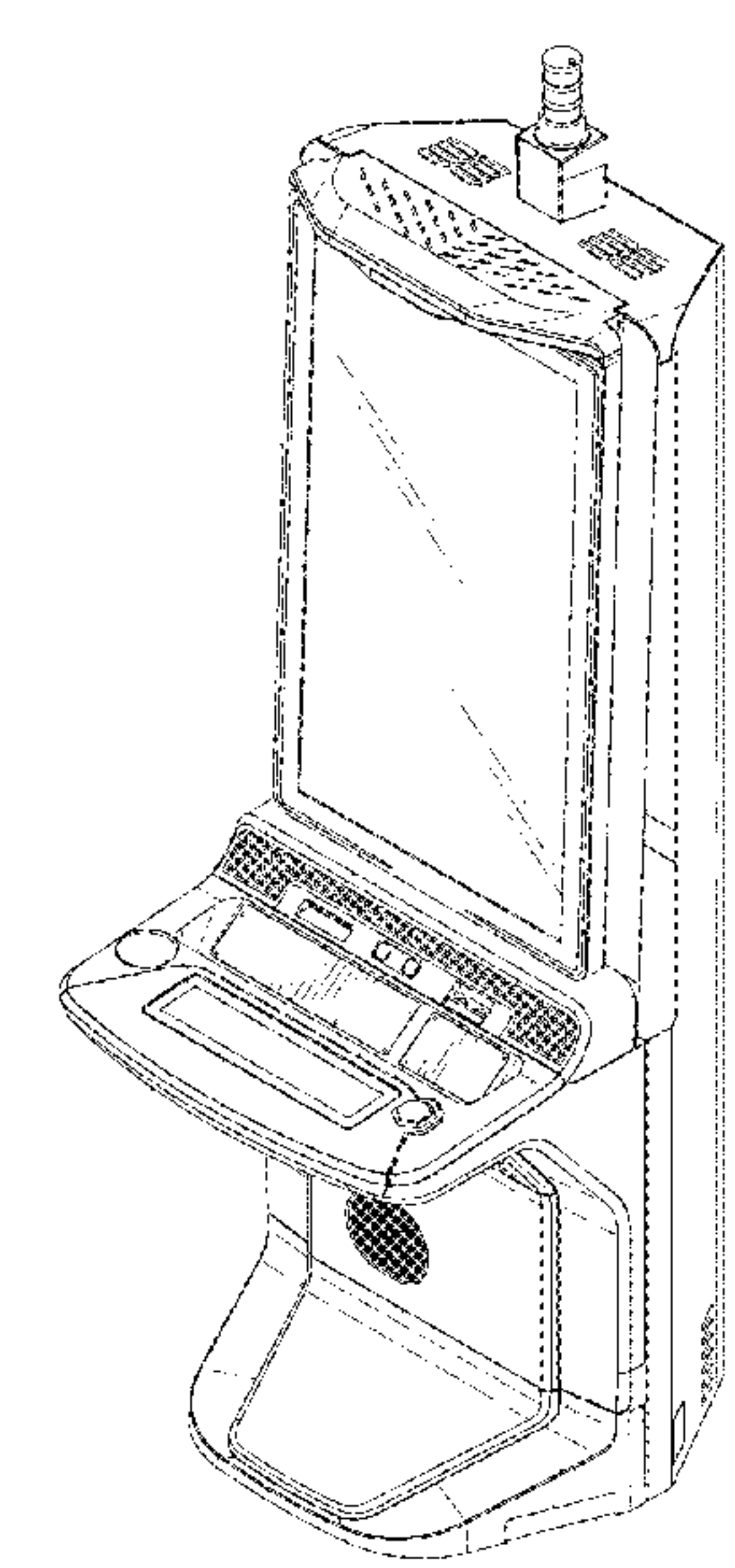
Primary Examiner — Ryan Harvey
(74) *Attorney, Agent, or Firm* — The Culbertson Group,
P.C.

(57) **CLAIM**
The ornamental design for a gaming machine, as shown and
described.

DESCRIPTION
FIG. 1 is a perspective view from above of a gaming
machine showing the new design.
FIG. 2 is a front elevational view of the gaming machine
shown in FIG. 1.
FIG. 3 is a rear elevational view of the gaming machine
shown in FIG. 1.
FIG. 4 is a left side elevational view of the gaming machine
shown in FIG. 1.
FIG. 5 is a right side elevational view of the gaming machine
shown in FIG. 1.
FIG. 6 is a top plan view of the gaming machine shown in
FIG. 1; and,
FIG. 7 is a bottom plan view of the gaming machine shown
in FIG. 1.
The broken lines shown in the bottom view form no part of
the claim.

1 Claim, 6 Drawing Sheets

(56) **References Cited**
U.S. PATENT DOCUMENTS
D498,267 S * 11/2004 Crouch D21/370
D525,664 S * 7/2006 Cole D21/369
D617,388 S * 6/2010 Wildner D21/325
D673,619 S * 1/2013 Seelig D21/369
D673,620 S * 1/2013 Johnson D21/369
D673,621 S * 1/2013 Johnson D21/369



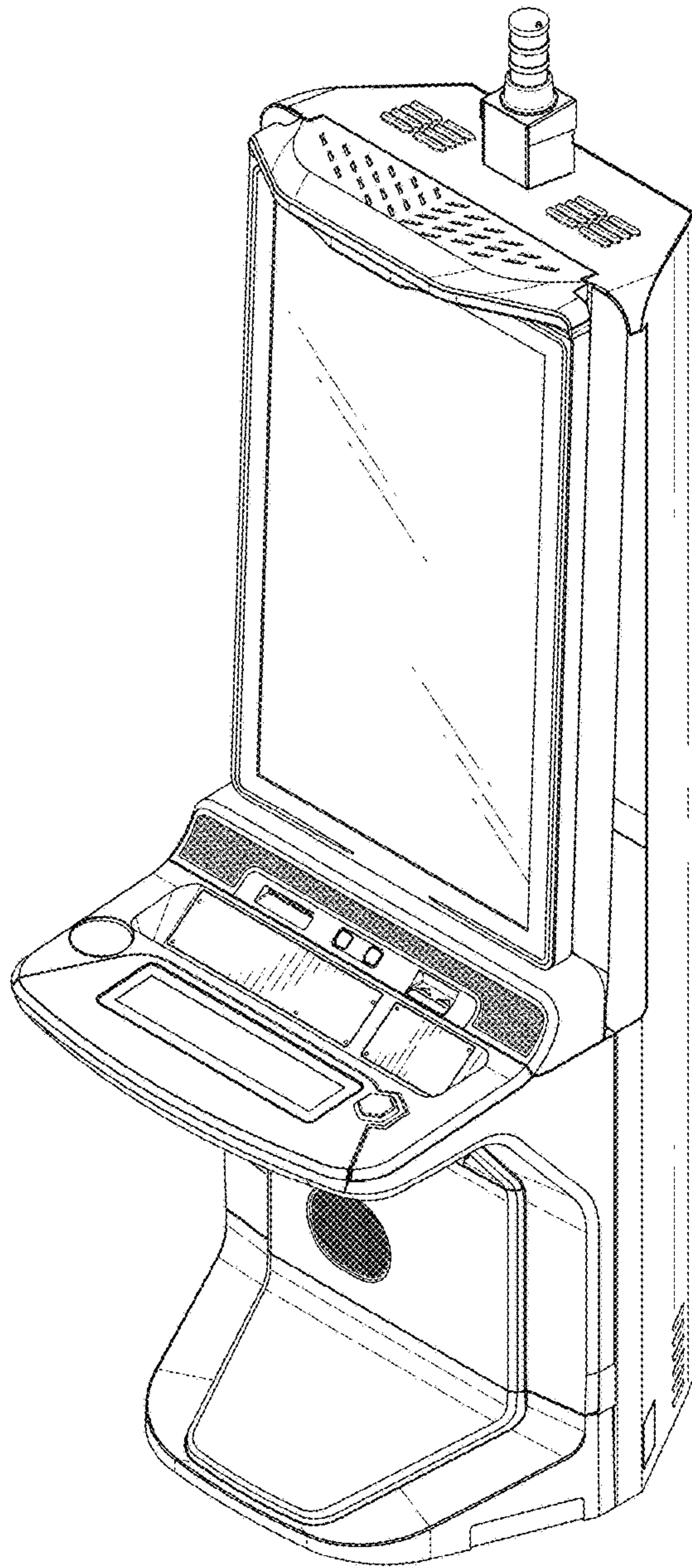


FIG. 1

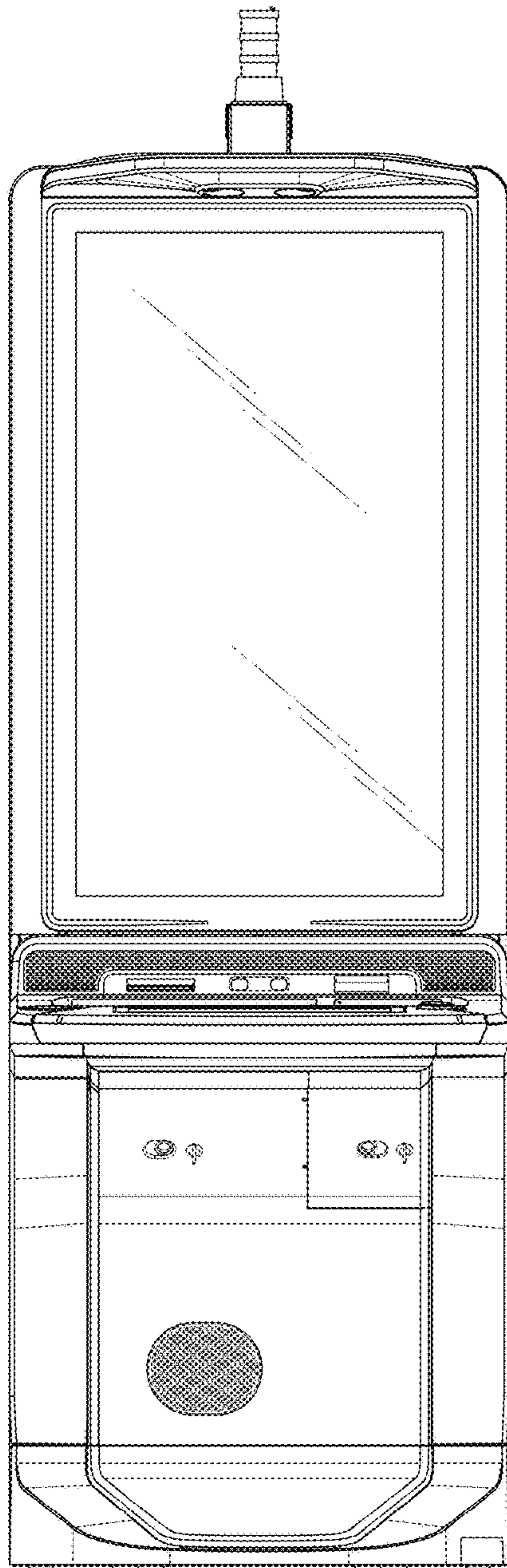


FIG. 2

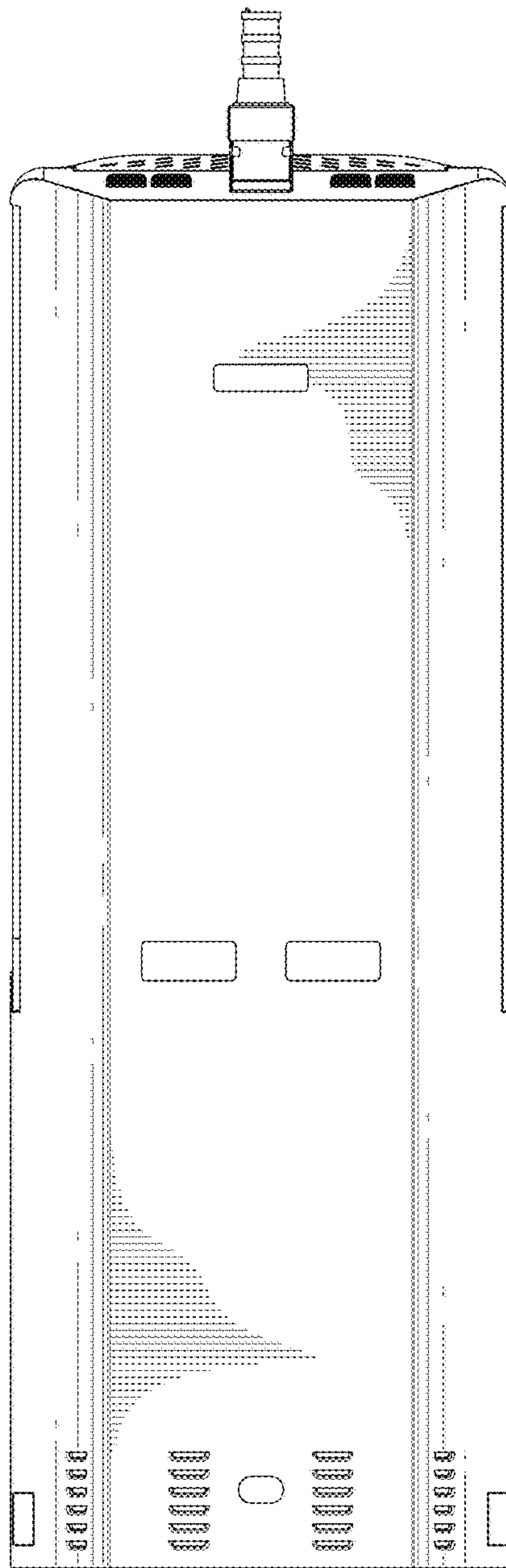


FIG.3

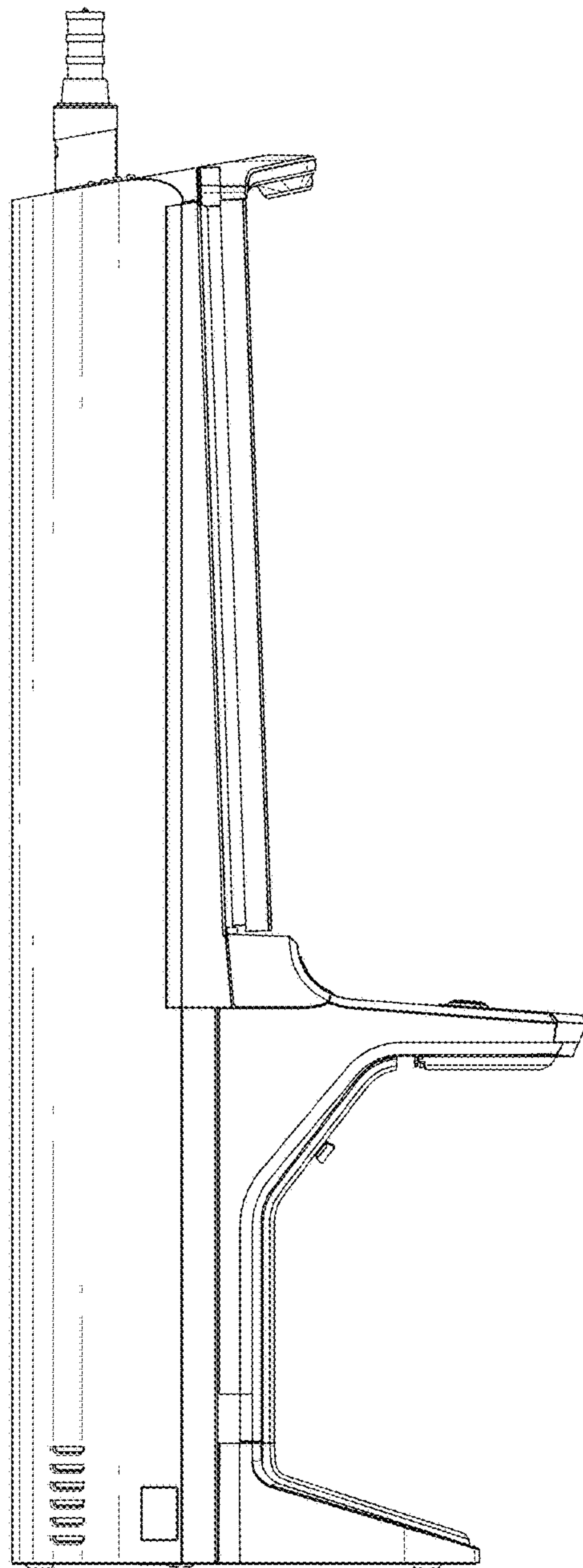


FIG.4

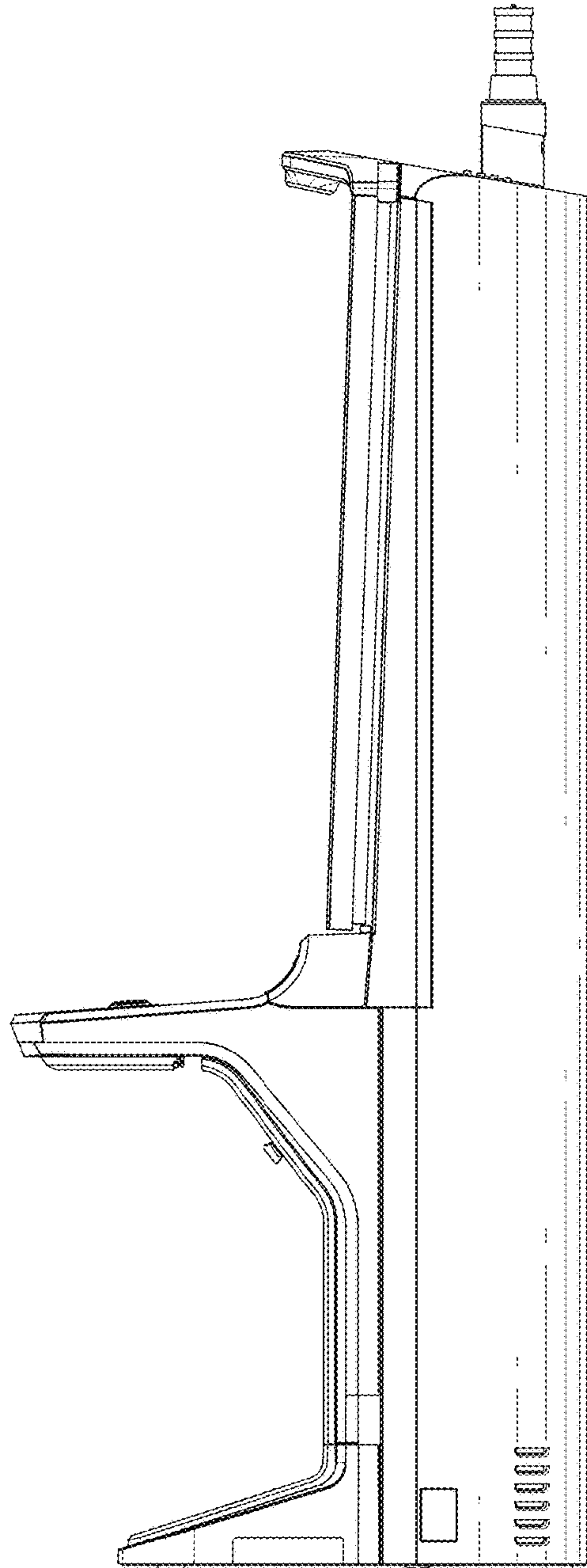


FIG.5

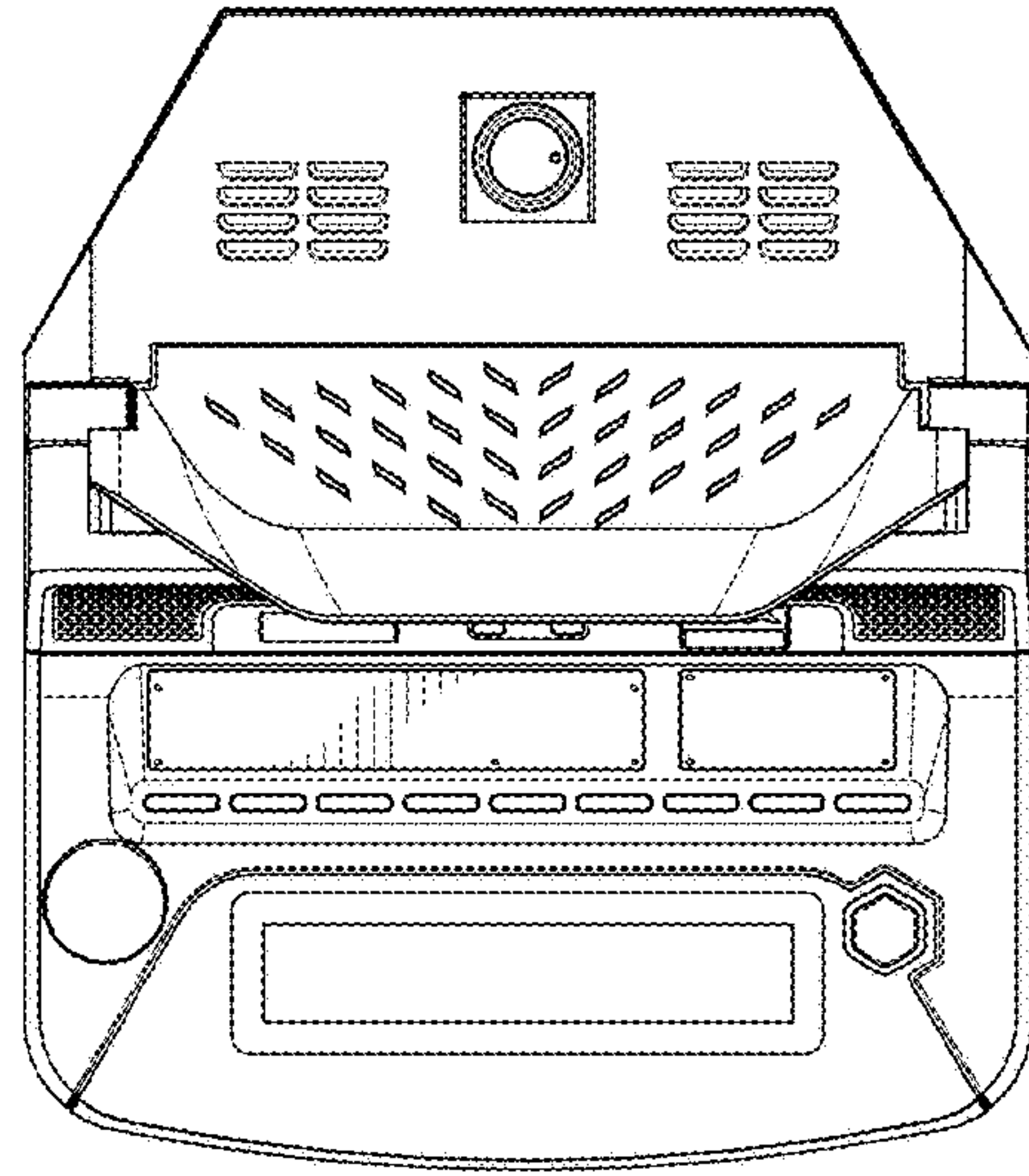


FIG. 6

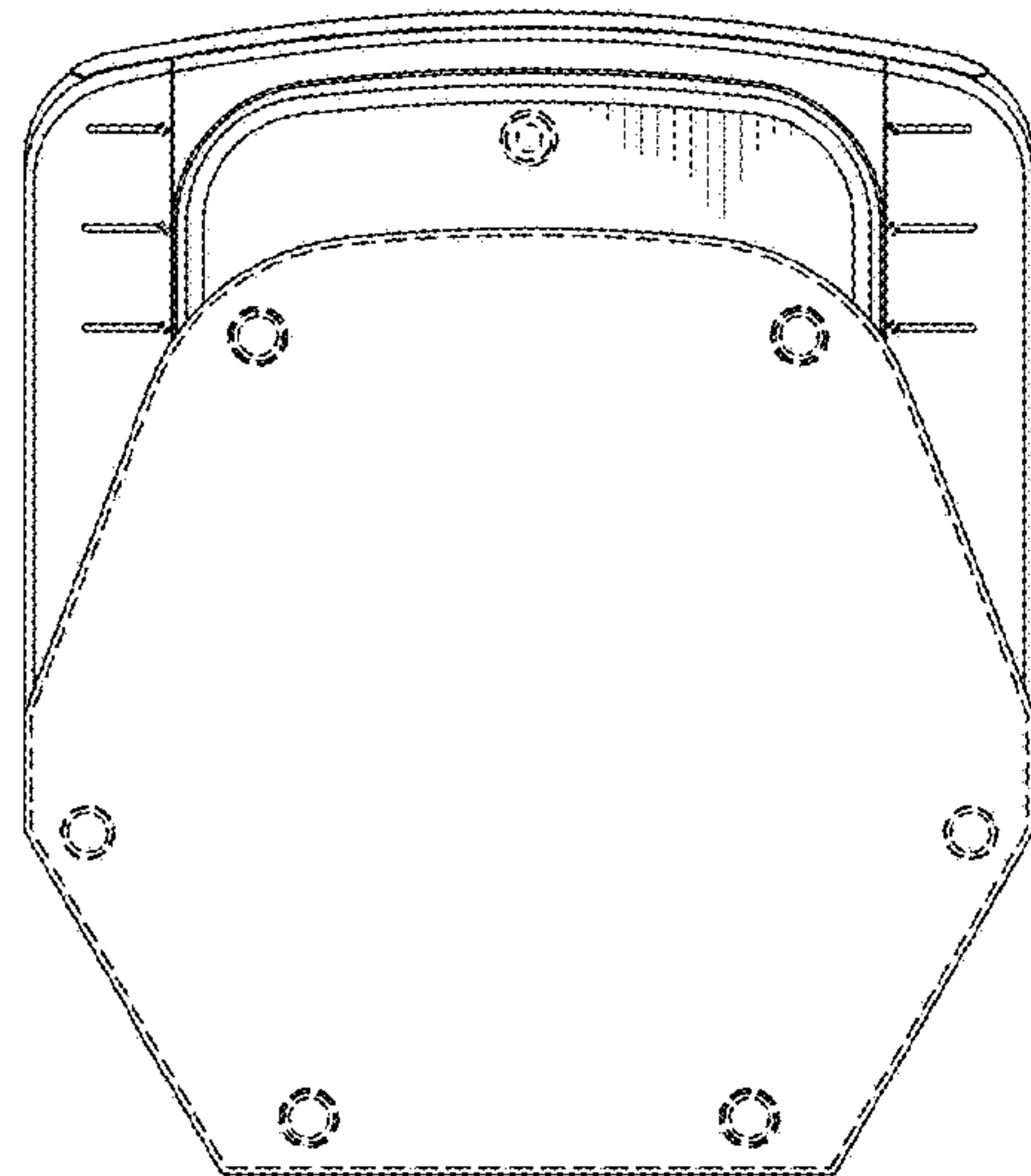


FIG. 7