

US00D849147S

(12) **United States Design Patent** (10) **Patent No.:** **US D849,147 S**  
**Strahle et al.** (45) **Date of Patent:** **\*\* May 21, 2019**

(54) **FACE PLATE FOR A VIDEO GAME CONTROLLER**

(71) Applicant: **Performance Designed Products LLC**,  
Burbank, CA (US)

(72) Inventors: **Bradley M. Strahle**, Crestline, CA  
(US); **John M. Alpay**, San Juan  
Capistrano, CA (US)

(73) Assignee: **Performance Designed Products LL**,  
Burbank, CA (US)

(\*\*) Term: **15 Years**

(21) Appl. No.: **29/610,602**

(22) Filed: **Jul. 13, 2017**

(51) **LOC (11) Cl.** ..... **21-01**

(52) **U.S. Cl.**

USPC ..... **D21/333**

(58) **Field of Classification Search**

USPC ..... D21/333; D14/160, 137, 138, 168, 174,  
D14/217, 218, 356, 387, 388, 389, 400,  
D14/401, 443, 449, 450, 454, 471, 474,  
D14/483, 496, 511; D12/174, 177, 190,  
D12/218; D13/164, 168; D18/19

CPC ..... A63F 13/24; G06F 1/1666; H04N 7/14;  
H04N 21/00

See application file for complete search history.

(56) **References Cited**

**U.S. PATENT DOCUMENTS**

D432,180 S 10/2000 Hayes  
D487,466 S 3/2004 Yokota  
6,743,100 B1 6/2004 Neiser  
D522,011 S 5/2006 Hayes  
D522,012 S \* 5/2006 Hayes ..... D14/401  
7,063,321 B2 6/2006 Hussaini  
D540,396 S 4/2007 Kawanobe

(Continued)

**FOREIGN PATENT DOCUMENTS**

WO WO-2017060501 A1 \* 4/2017 ..... A63F 13/24

**OTHER PUBLICATIONS**

Fusion Controller made by Bensussen Deutsch & Associates, LLC,  
available before Jul. 13, 2017. <https://www.powers.com/products/fusion-controller-xbox-one-white-exclusive/>.

*Primary Examiner* — Barbara Fox

(74) *Attorney, Agent, or Firm* — Knobbe, Martens, Olson  
& Bear LLP

(57) **CLAIM**

The ornamental design for a face plate for a video game controller, as shown and described.

**DESCRIPTION**

FIG. 1 is a top perspective view of a face plate for a video game controller embodying our new design, according to one embodiment;

FIG. 2 is a top view thereof;

FIG. 3 is a bottom view thereof;

FIG. 4 is a left side view thereof;

FIG. 5 is a right side view thereof;

FIG. 6 is a front view thereof;

FIG. 7 is a rear view thereof; and

FIG. 8 is a top perspective exploded view thereof.

FIG. 9 is a top perspective view of a face plate for a video game controller embodying our new design, according to another embodiment;

FIG. 10 is a top view thereof;

FIG. 11 is a bottom view thereof;

FIG. 12 is a left side view thereof;

FIG. 13 is a right side view thereof;

FIG. 14 is a front view thereof;

FIG. 15 is a rear view thereof; and,

FIG. 16 is a top perspective exploded view thereof.

The dashed lines shown in the figures depict portions of the face plate for a video game controller that form no part of the claimed design.

**1 Claim, 12 Drawing Sheets**



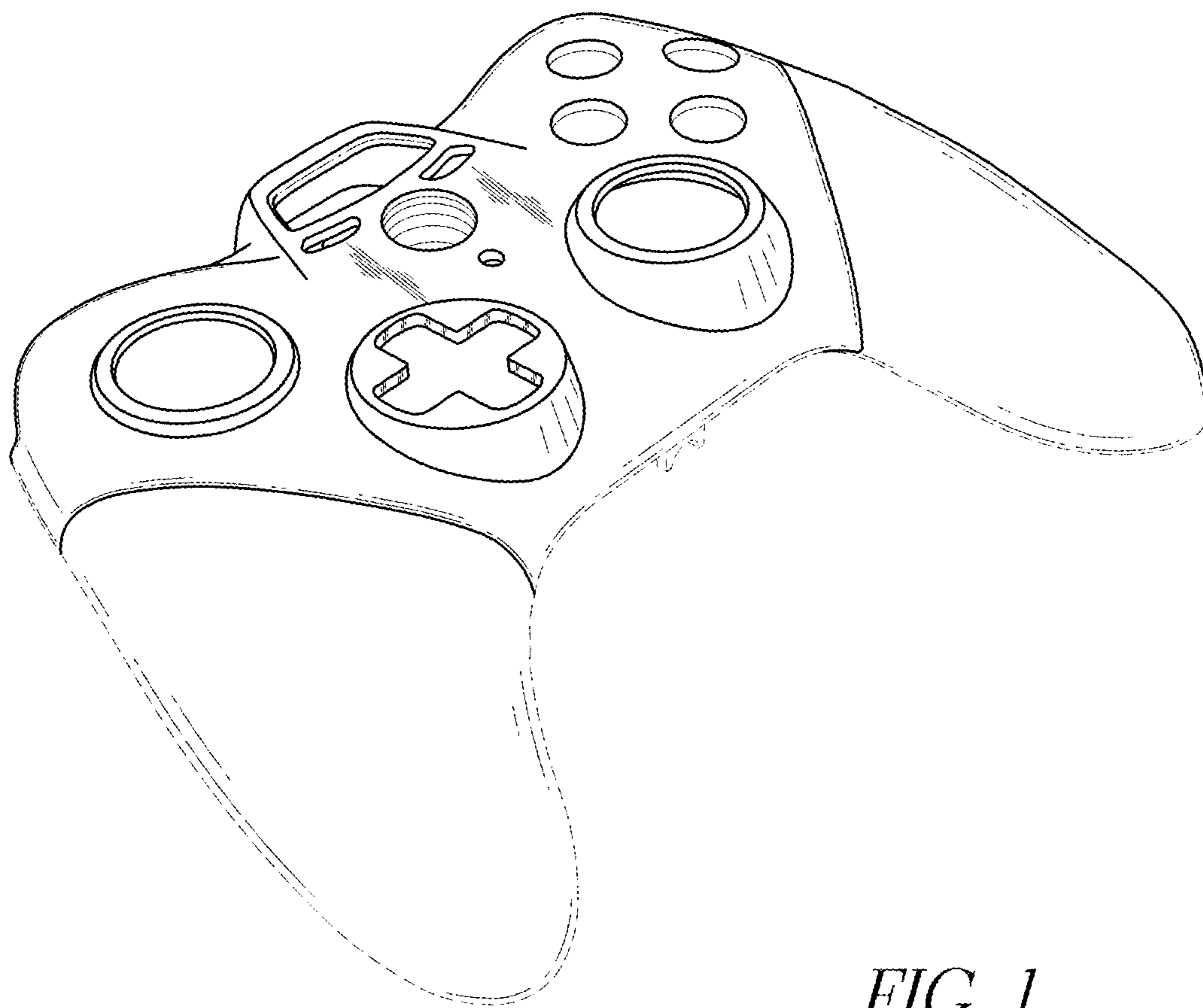
(56)

References Cited

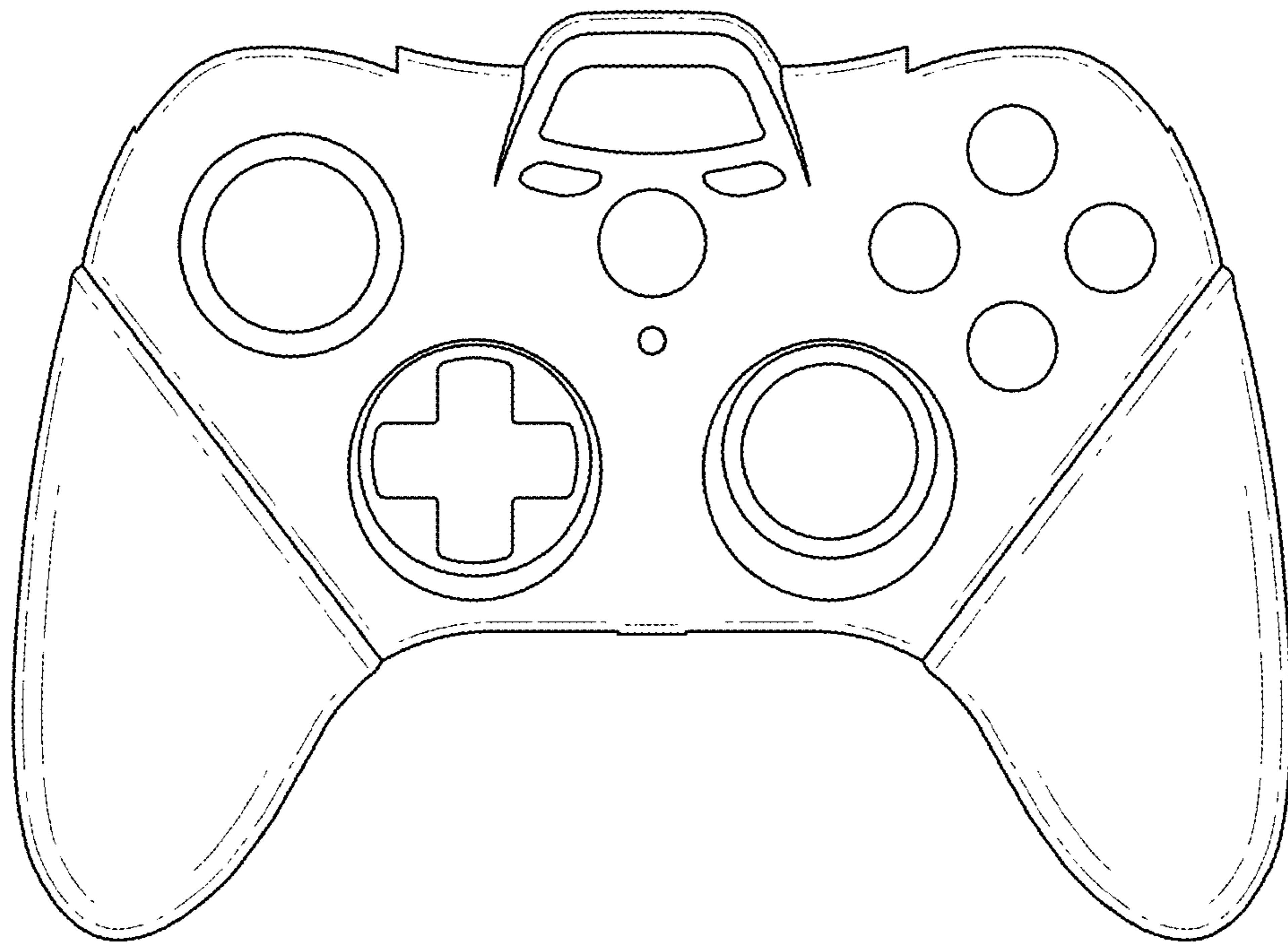
U.S. PATENT DOCUMENTS

7,235,012	B2	6/2007	DiDato	
D547,763	S	7/2007	Hayes	
7,762,553	B2	7/2010	Harris	
D659,140	S *	5/2012	Ikeda .....	D14/401
D692,001	S *	10/2013	Ibuki .....	D14/401
D709,498	S *	7/2014	Morris .....	D14/401
D709,882	S *	7/2014	Morris .....	D14/401
D712,484	S	9/2014	Sumii	
D717,875	S	11/2014	Uhrman	
D726,726	S *	4/2015	Bellinghausen .....	D14/401
D745,607	S *	12/2015	Jones .....	D14/401
D754,128	S *	4/2016	Bellinghausen .....	D14/401
D765,788	S *	9/2016	Kujawski .....	D14/401
D765,789	S	9/2016	Buller	
D765,793	S	9/2016	Chatterjee	
D768,786	S *	10/2016	Seflic .....	D14/401
D786,980	S	5/2017	Strahle et al.	
D787,606	S *	5/2017	Coe .....	D21/333
D794,717	S *	8/2017	Kujawski .....	D14/401
D797,197	S *	9/2017	Buller .....	D21/333
D798,954	S *	10/2017	Chatterjee .....	D21/333
D799,599	S *	10/2017	Kujawski .....	D21/333
D799,600	S *	10/2017	Chatterjee .....	D21/333
D806,078	S *	12/2017	Goldman .....	D14/401
D808,968	S *	1/2018	Tang .....	D14/401
2016/0354685	A1 *	12/2016	Kujawski .....	A63F 13/24
2016/0361639	A1 *	12/2016	Schmitz .....	A63F 13/24
2018/0207523	A1 *	7/2018	Lyden .....	A63F 13/24

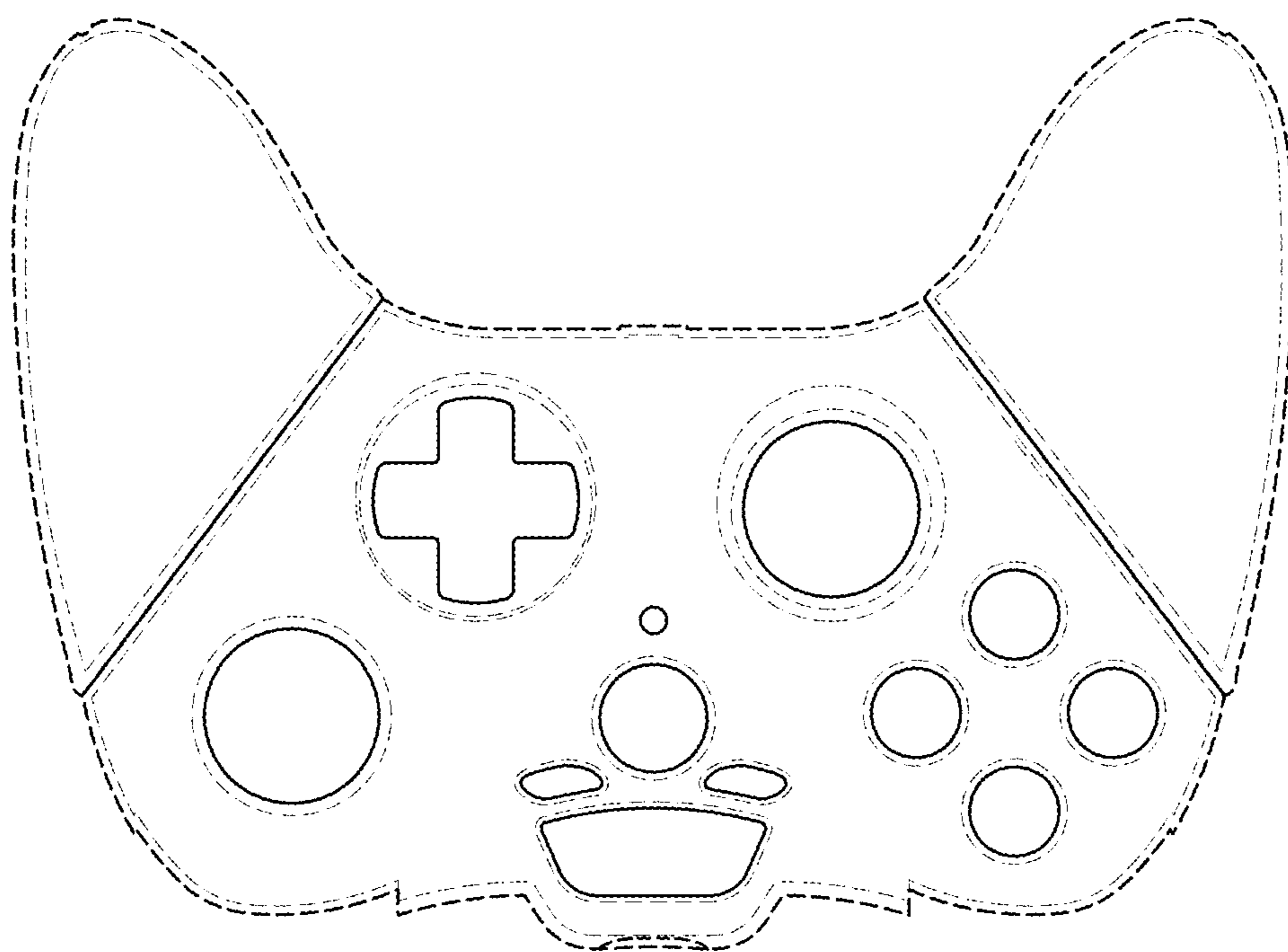
\* cited by examiner



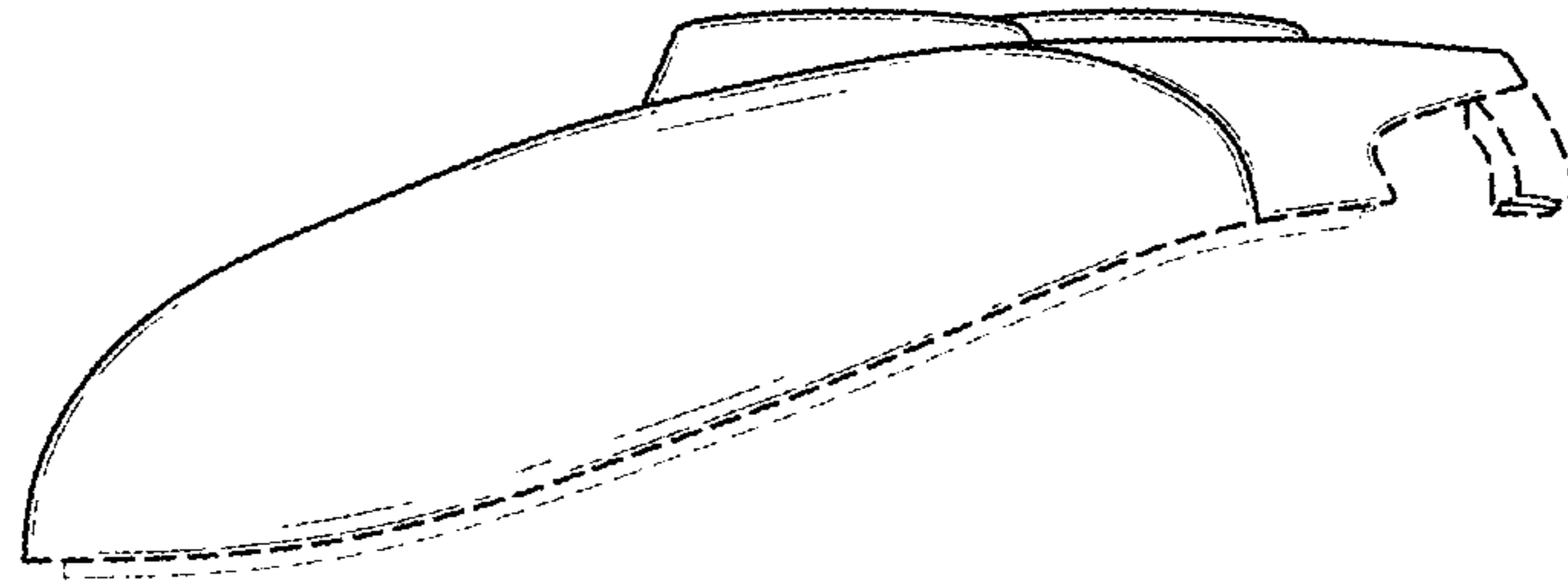
*FIG. 1*



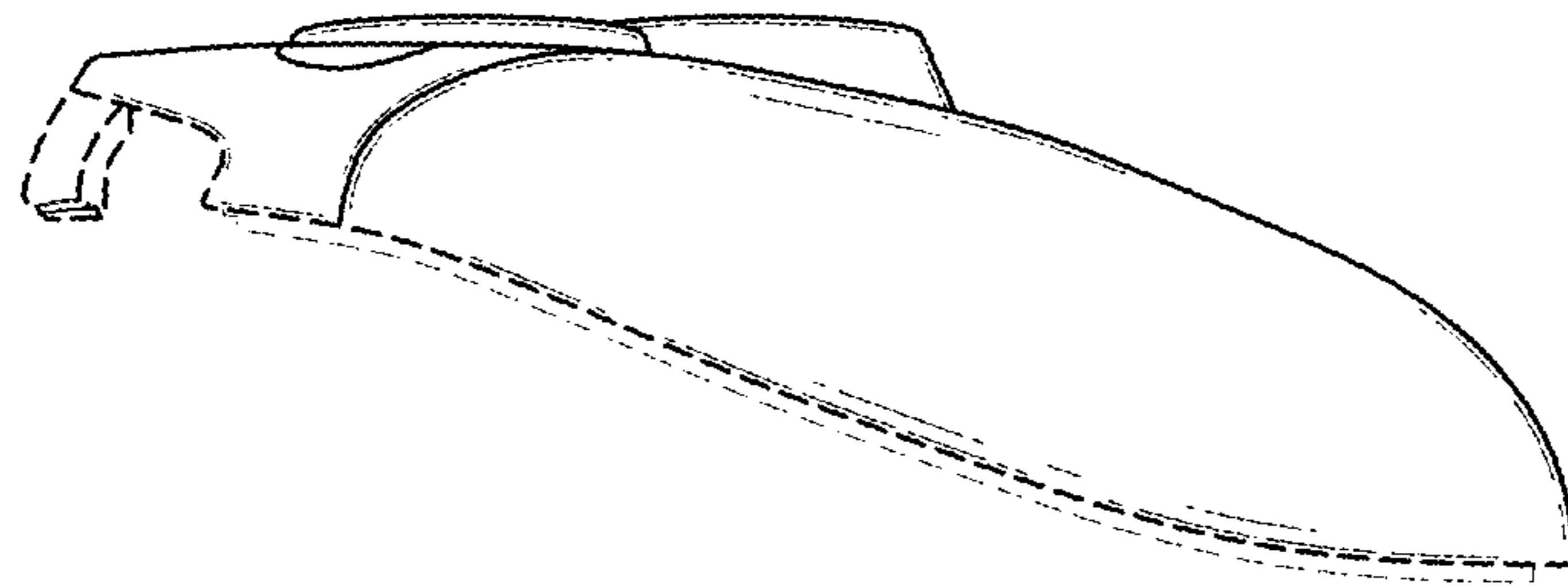
*FIG. 2*



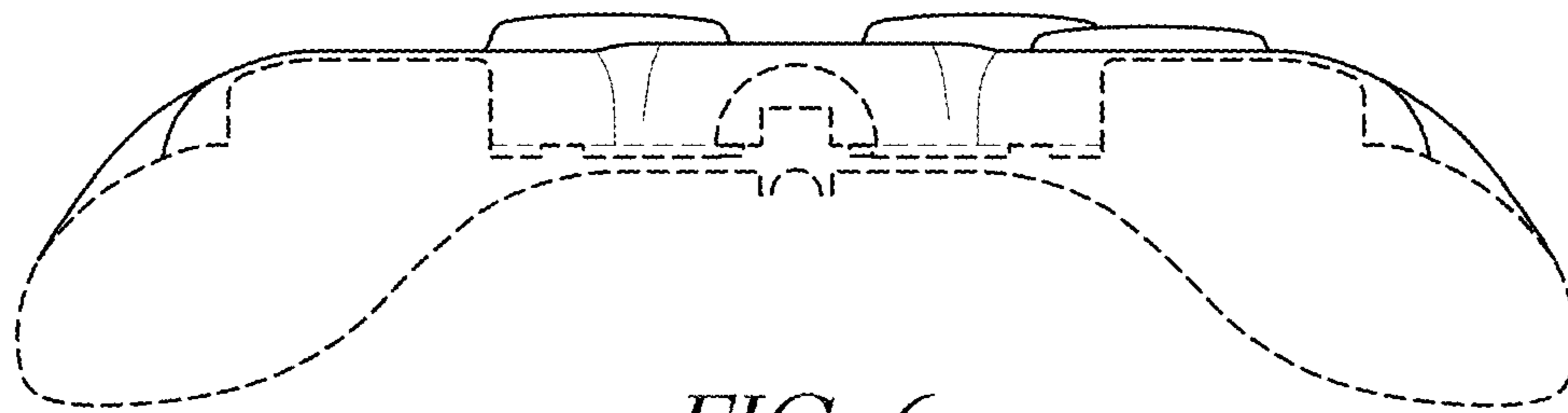
*FIG. 3*



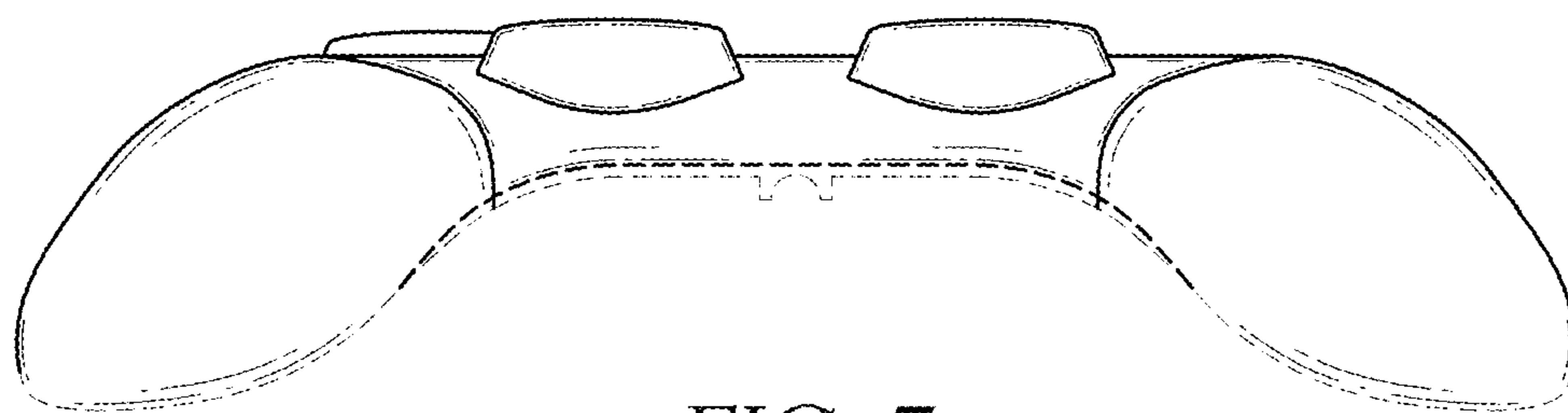
*FIG. 4*



*FIG. 5*



*FIG. 6*



*FIG. 7*

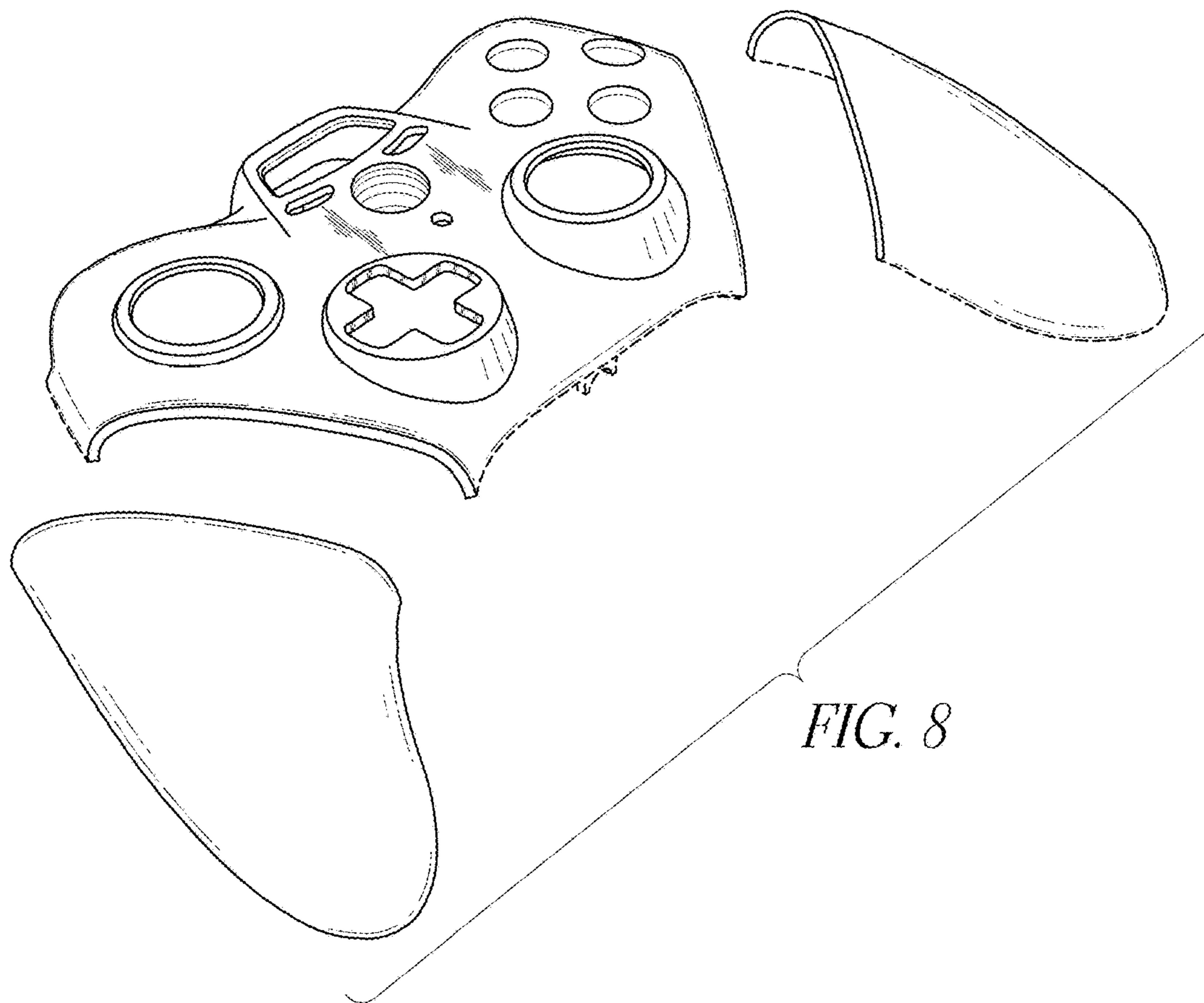
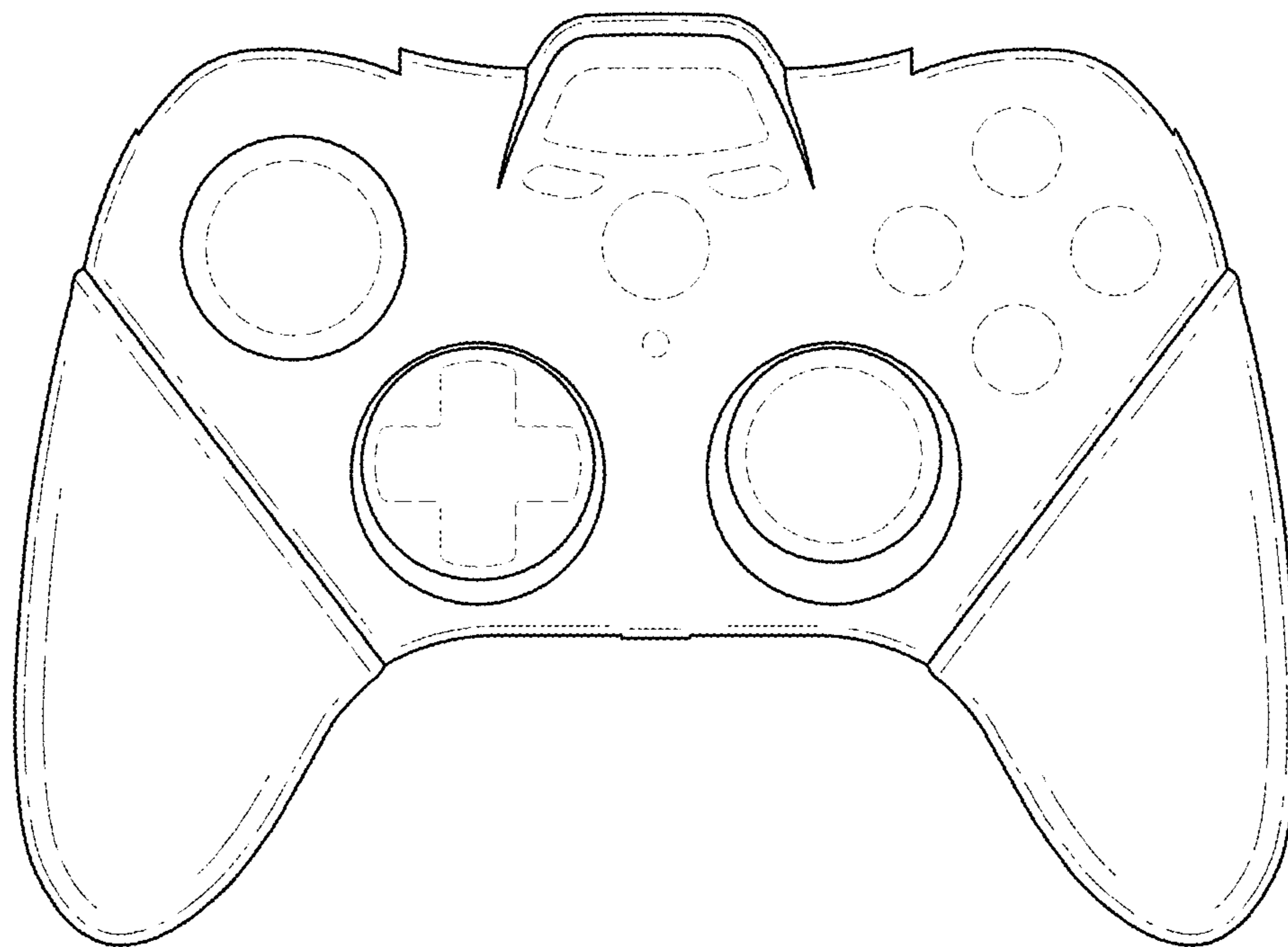


FIG. 8

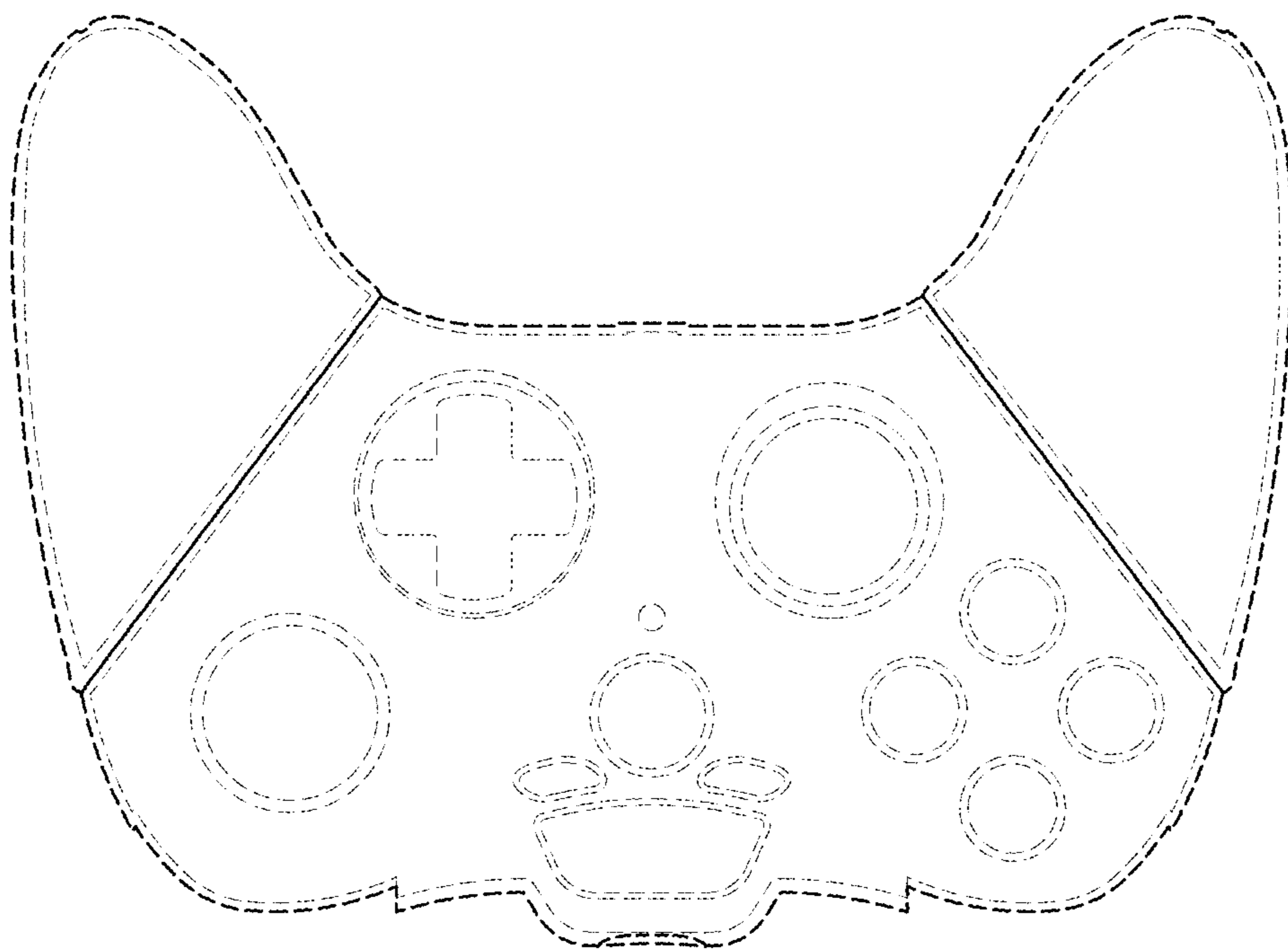




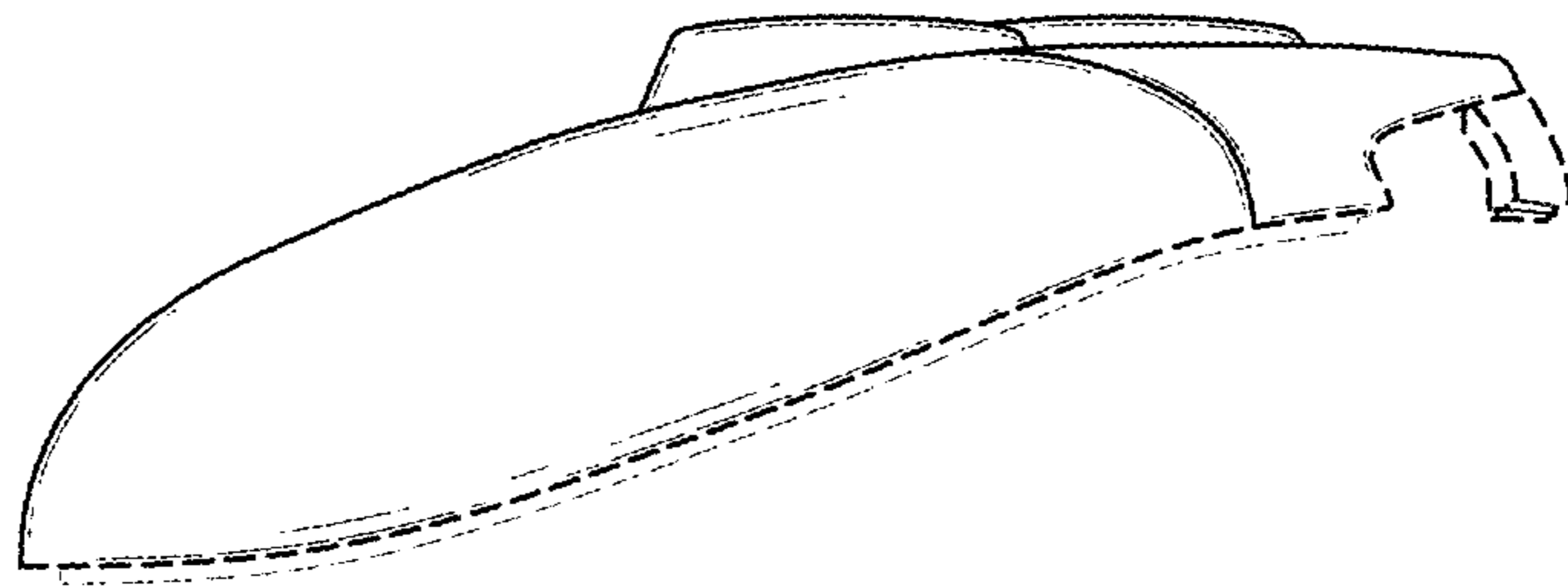
*FIG. 9*



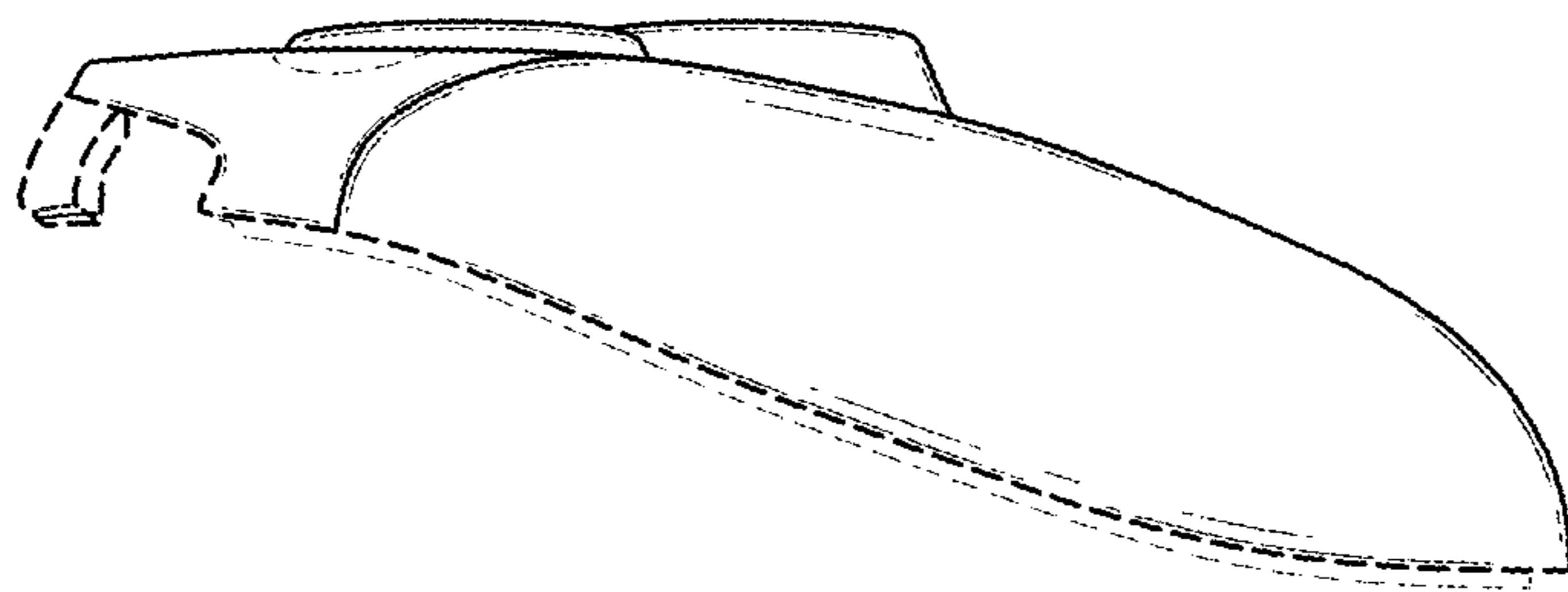
*FIG. 10*



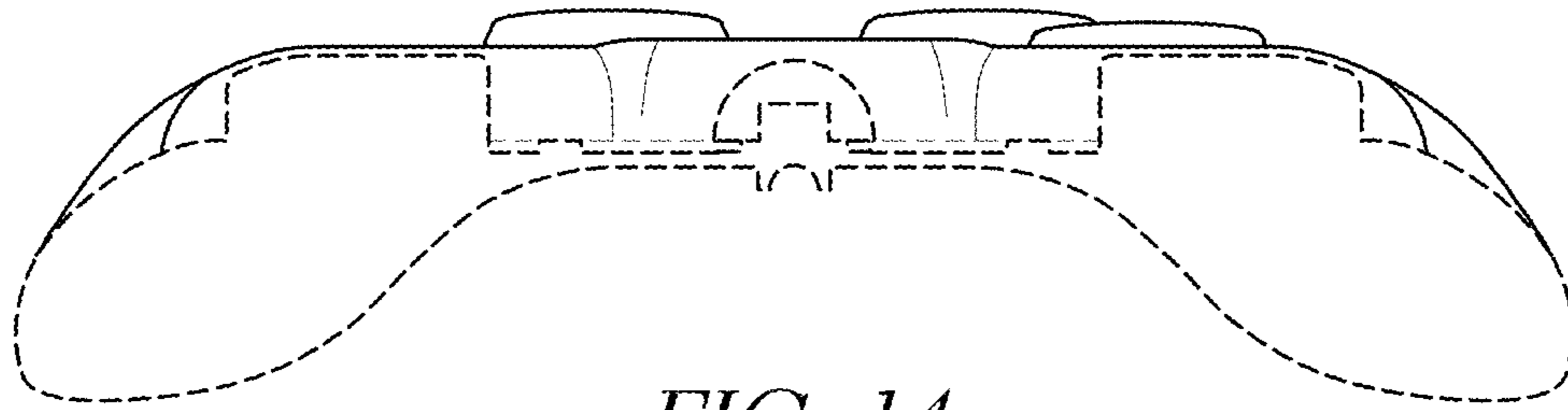
*FIG. 11*



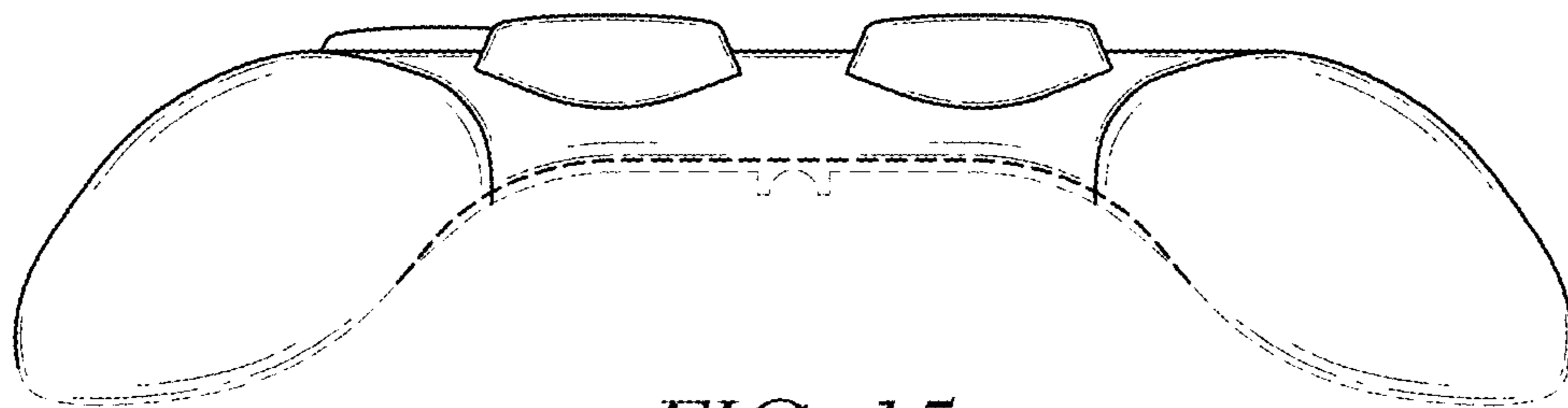
*FIG. 12*



*FIG. 13*



*FIG. 14*



*FIG. 15*

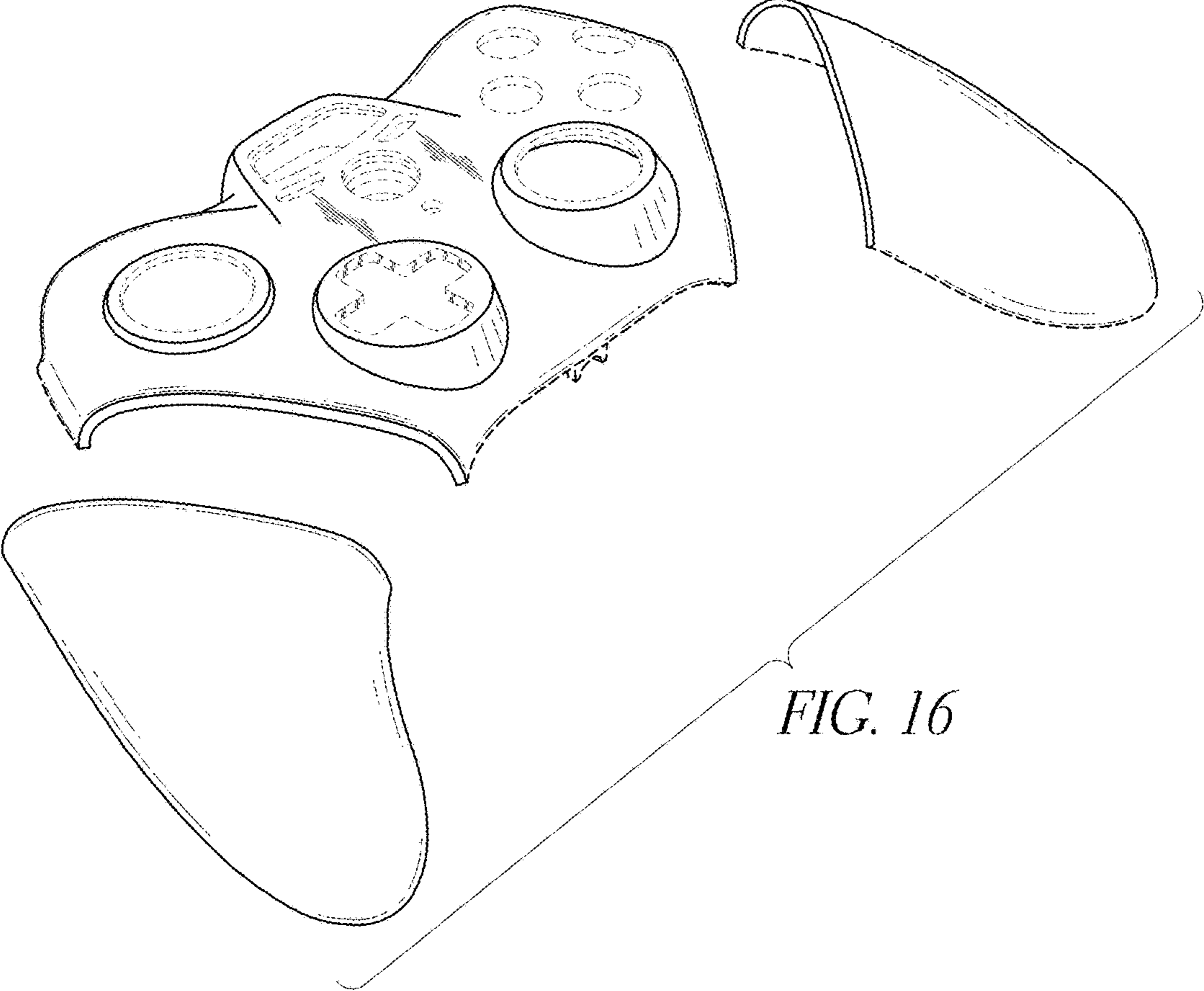


FIG. 16