



US00D849145S

(12) **United States Design Patent** (10) **Patent No.:** **US D849,145 S**
Kuoch et al. (45) **Date of Patent:** **** May 21, 2019**

(54) **VIDEO GAME CONTROLLER**

(71) Applicant: **Hyperkin, Inc.**, South El Monte, CA (US)

(72) Inventors: **Tony Kuoch**, South El Monte, CA (US); **Steven Mar**, South El Monte, CA (US); **Chris Gallizzi**, South El Monte, CA (US)

(73) Assignee: **Hyperkin, Inc.**, South El Monte, CA (US)

(**) Term: **15 Years**

(21) Appl. No.: **29/587,309**

(22) Filed: **Dec. 12, 2016**

(51) **LOC (11) Cl.** **21-01**

(52) **U.S. Cl.**
USPC **D21/333**; D14/496; D14/401

(58) **Field of Classification Search**
USPC D14/496, 401, 435, 474, 483, 217, 137, D14/138, 160, 168, 356, 203.1-203.8, D14/507; 345/156, 169, 173-179, 905; 715/727-729, 864; 710/1, 5, 8; 713/1, 713/600; 455/1.1, 1.7, 73, 344-347, 93, 455/95, 3.01-3.06, 550.1, 573.1; 370/342-344; 369/1, 2, 6-12; 463/43-47; 273/148 B; D21/324, 333, D21/424-433

CPC H04N 5/00; H04B 10/00; H04J 14/00; G10H 7/00; G11B 7/00

See application file for complete search history.

(56) **References Cited**

U.S. PATENT DOCUMENTS

5,184,830 A 2/1993 Okada et al.
5,207,426 A 5/1993 Inoue et al.
5,475,996 A 12/1995 Chen
D376,826 S 12/1996 Ashida

D380,238 S 6/1997 Tyler
D392,342 S 3/1998 Tyler
D393,291 S 4/1998 Kung
6,001,015 A 12/1999 Nishiumi
6,058,746 A 5/2000 Mirshafiee
6,231,444 B1 5/2001 Goto
6,733,050 B1 5/2004 Yao
D516,634 S * 3/2006 Man-tat D21/332
D551,230 S * 9/2007 Lau D14/401
D580,739 S 11/2008 Pelletier
7,753,788 B2 * 7/2010 Lum A63F 13/06
370/252

(Continued)

OTHER PUBLICATIONS

A look back at Nintendo's epic console history—CNET. www.cnet.com:80/pictures/a-look-back-atnintendos-epic-console-history-pictures/ dated May 2, 2015.

(Continued)

Primary Examiner — Keli L Hill

(74) *Attorney, Agent, or Firm* — Knobbe, Martens, Olson & Bear, LLP

(57) **CLAIM**

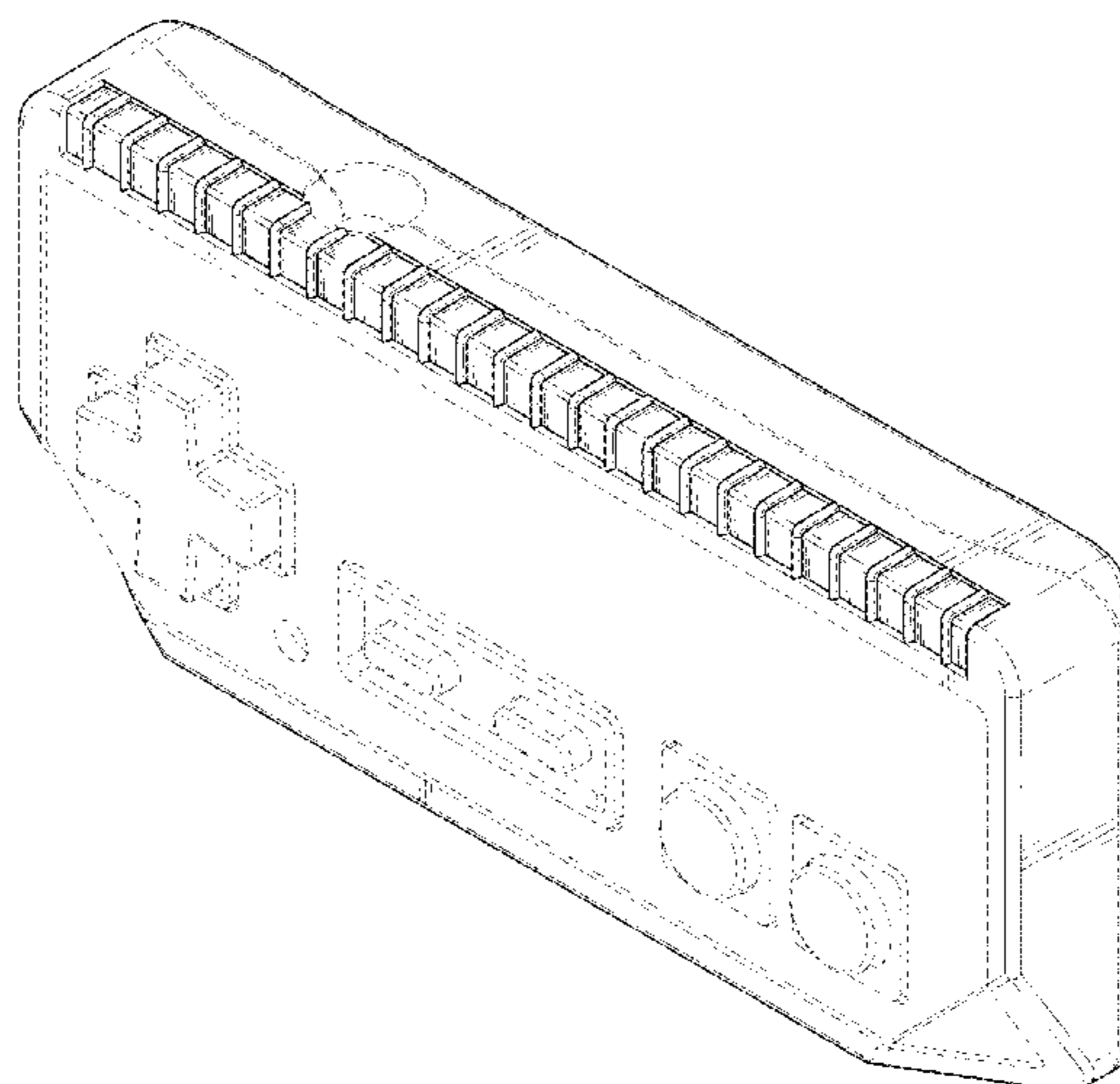
The ornamental design for a video game controller, as shown and described herein.

DESCRIPTION

FIG. 1 is a top, front perspective view of a video game controller;
FIG. 2 is a top plan view thereof;
FIG. 3 is a bottom plan view thereof;
FIG. 4 is a left-side elevation view thereof;
FIG. 5 is a right-side elevation view thereof;
FIG. 6 is a front elevation view thereof; and,
FIG. 7 is a rear elevation view thereof.

The broken lines shown are included for the purpose of illustrating portions of the video game controller that form no part of the claim.

1 Claim, 7 Drawing Sheets



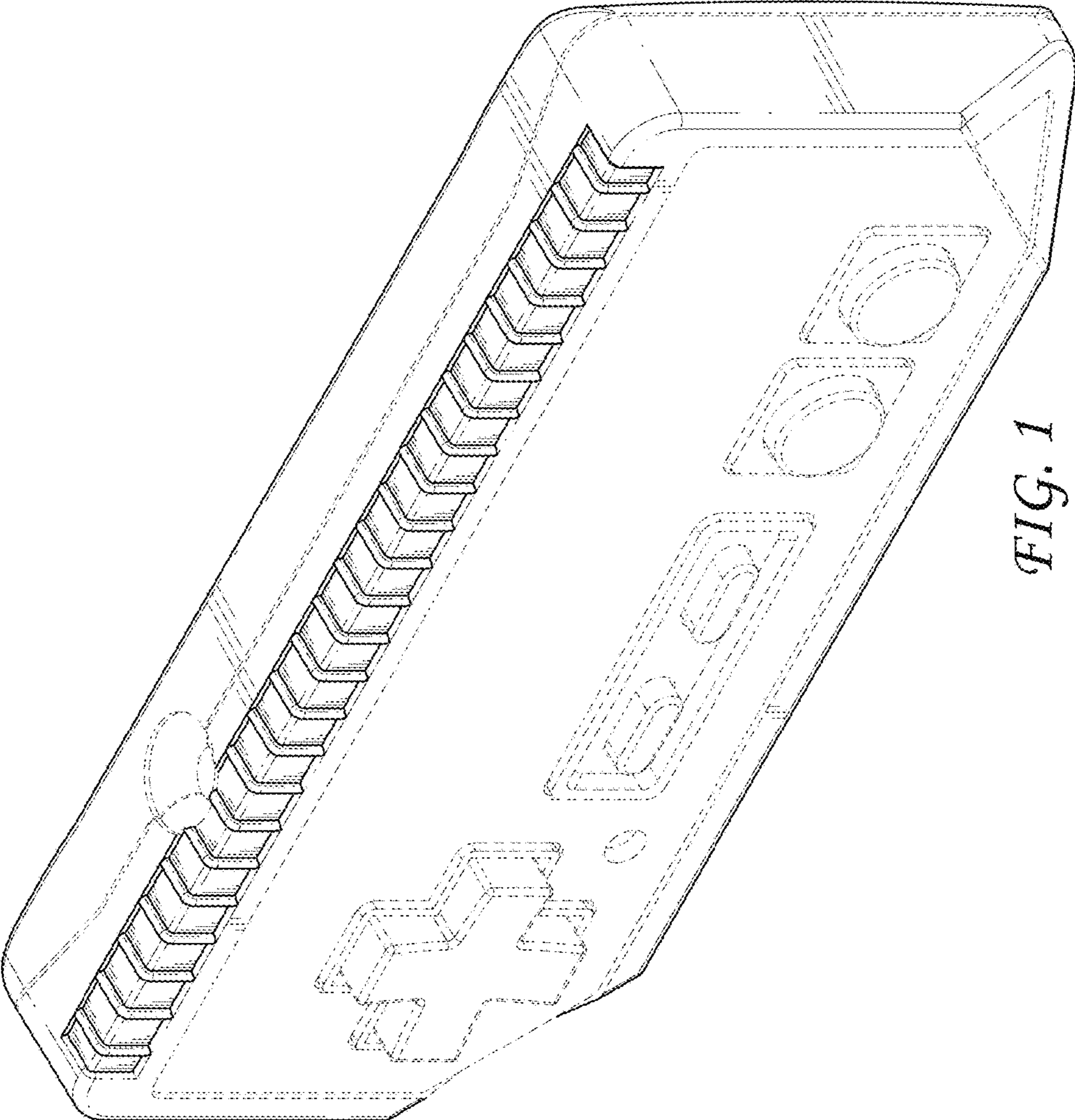


FIG. 1

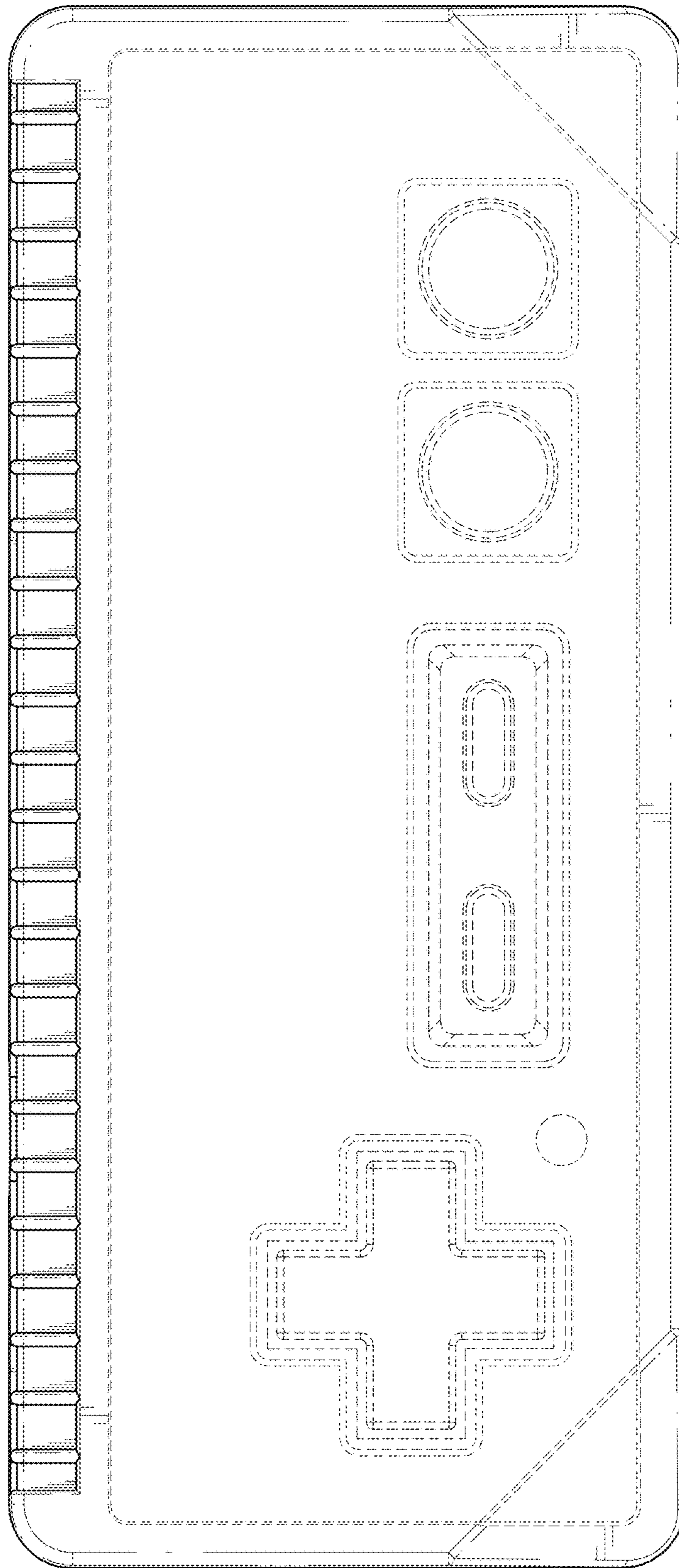


FIG. 2

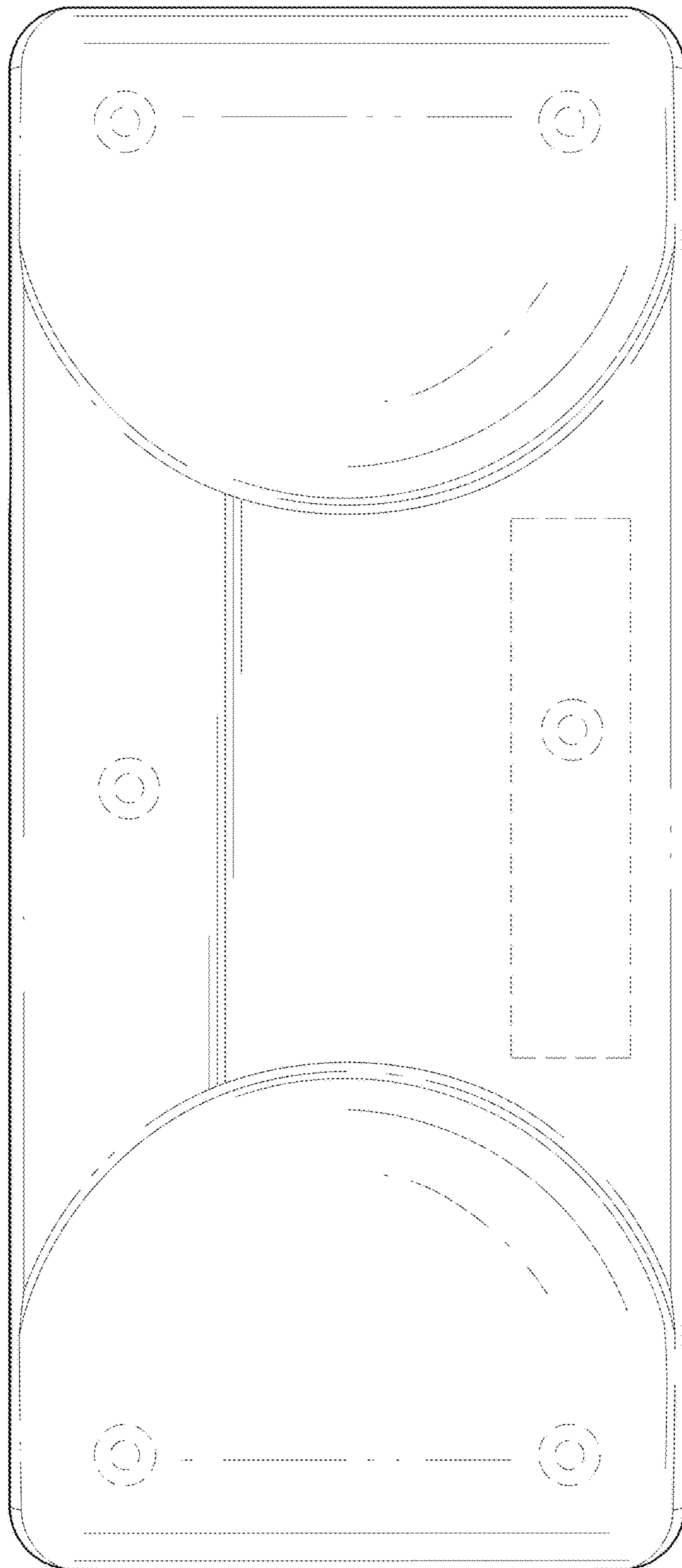


FIG. 3

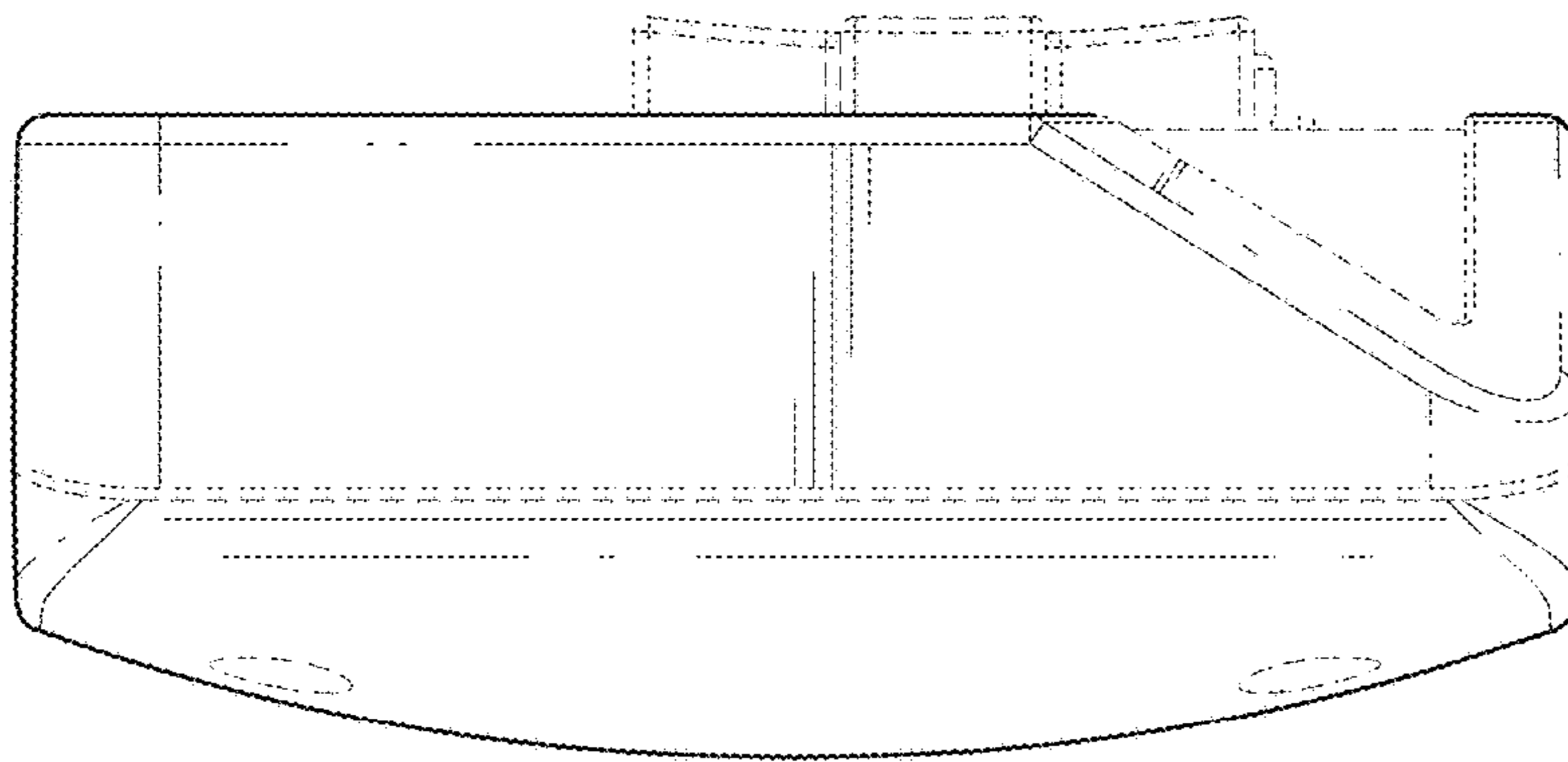


FIG. 4

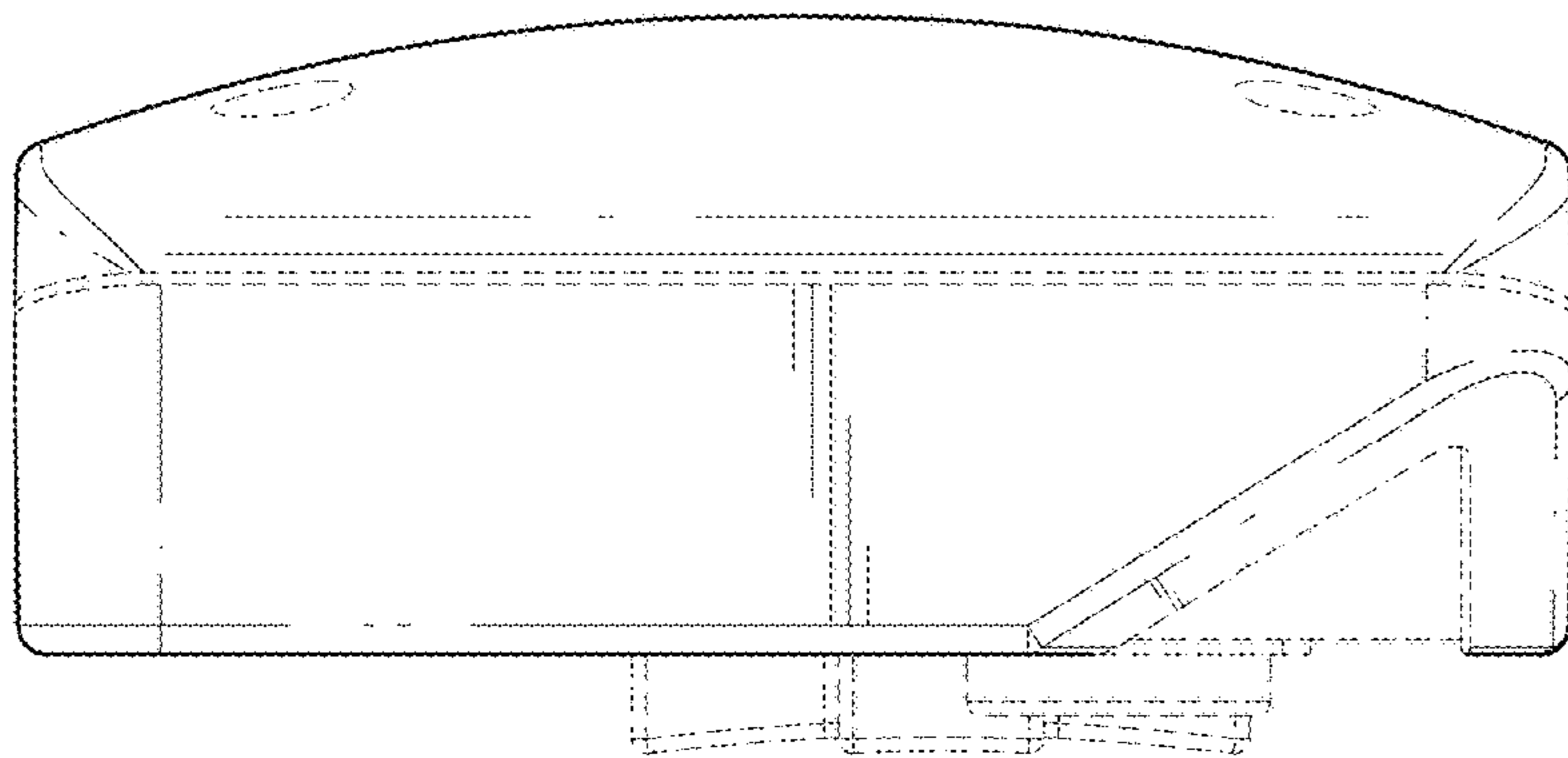


FIG. 5

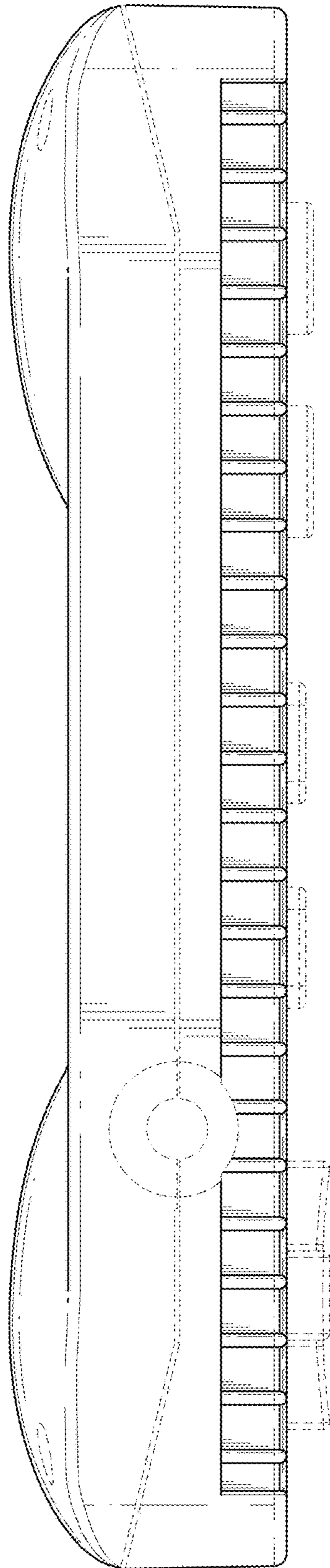


FIG. 6

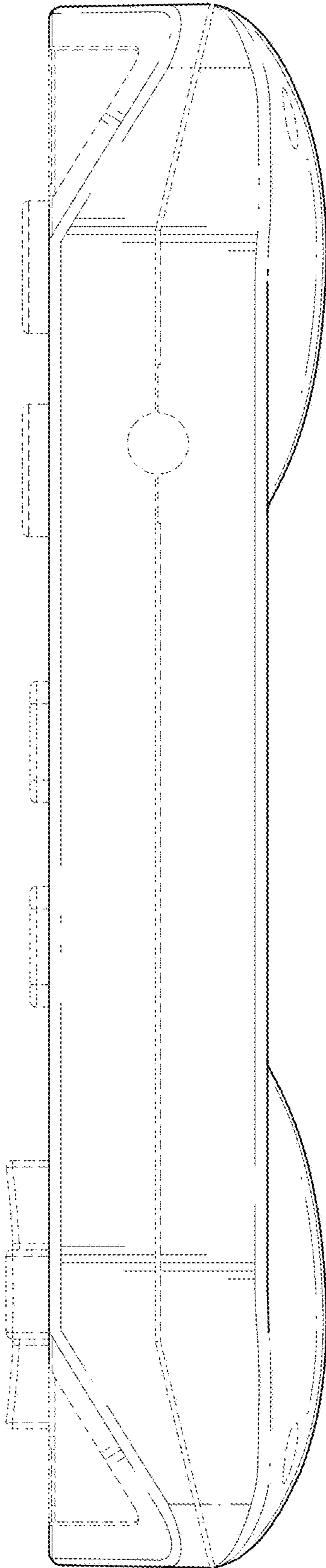


FIG. 7