

US00D849143S

(12) **United States Design Patent** (10) **Patent No.:** **US D849,143 S**
Williams (45) **Date of Patent:** **** May 21, 2019**

(54) **CARDHOLDER STICK**
(71) Applicant: **Royer Corporation, Inc.**, Madison, IN (US)
(72) Inventor: **Roger Williams**, Madison, IN (US)
(73) Assignee: **Royer Corporation**, Madison, IN (US)
(**) Term: **15 Years**

D249,193 S * 8/1978 Boecher, Jr. D11/143
6,195,926 B1 * 3/2001 Jarl G09F 3/08
248/87
6,553,701 B1 * 4/2003 Neisen G09F 3/12
40/645
D502,223 S * 2/2005 Kaplan D20/41
D755,896 S * 5/2016 Williams A61G 17/04
D20/43
D773,954 S * 12/2016 Bondy D11/96
D791,877 S * 7/2017 Williams G09F 3/12
D20/30

(21) Appl. No.: **29/613,600**
(22) Filed: **Aug. 11, 2017**

* cited by examiner

Primary Examiner — Mary Ann Calabrese
(74) *Attorney, Agent, or Firm* — Benesch Friedlander, Coplan & Aronoff LLP

Related U.S. Application Data

(62) Division of application No. 29/563,850, filed on May 9, 2016, now abandoned, which is a division of application No. 29/490,207, filed on May 7, 2014, now Pat. No. Des. 755,896.

(57) **CLAIM**

The ornamental design for a cardholder stick, as shown and described.

(51) **LOC (11) Cl.** **20-03**
(52) **U.S. Cl.**
USPC **D20/29; D20/41; D20/43**
(58) **Field of Classification Search**
USPC D20/10, 19, 29, 30, 41, 43, 44, 99
CPC ... G09F 1/10; G09F 1/103; G09F 1/12; G09F 2001/085; G09F 3/08; G09F 3/16; G09F 3/18; G09F 3/204; B05B 15/062
See application file for complete search history.

DESCRIPTION

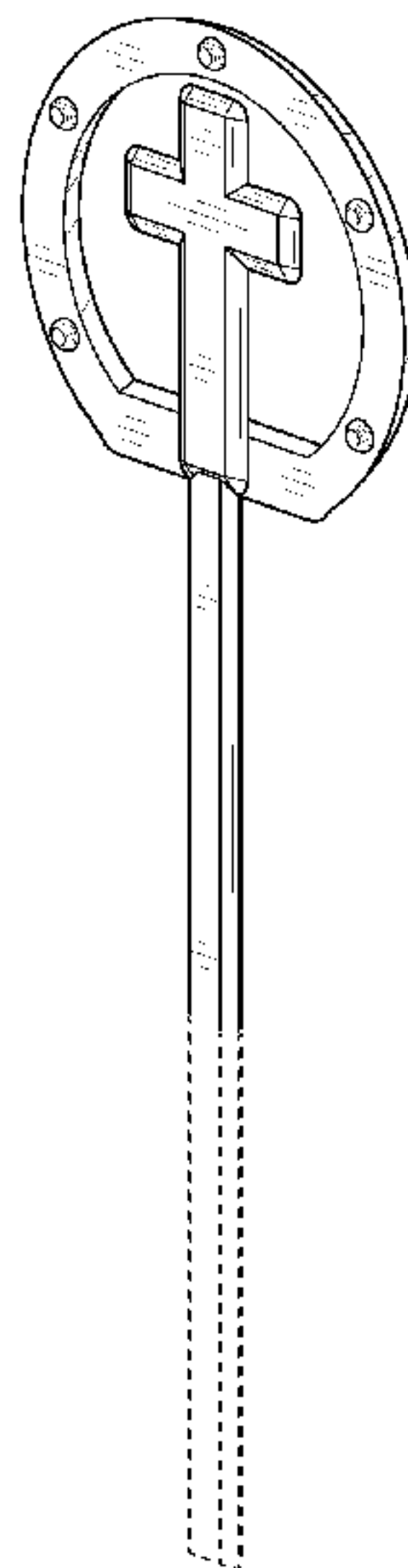
FIG. 1 is a front side perspective view of the subject cardholder stick, showing the design of a cross as the center portion.
FIG. 2 is a front side elevation view of the subject cardholder stick.
FIG. 3 is a rear side elevation view of the subject card holder stick, opposite the front side thereof.
FIG. 4 is a first lateral side elevation view of the subject cardholder stick.
FIG. 5 is a second lateral side elevation view of the subject cardholder stick, opposite the first lateral side thereof.
FIG. 6 is a top plan view of the subject cardholder stick; and, FIG. 7 is a bottom plan view of the subject cardholder stick, opposite the top plan view thereof.
The broken lines in the drawings are included for illustrating portions of the article that form no part of the claimed design.

(56) **References Cited**

U.S. PATENT DOCUMENTS

D162,155 S * 2/1951 Gray D11/96
2,712,191 A * 7/1955 Hillenbrand A61G 17/04
24/303
3,057,093 A * 10/1962 Gallo G09F 1/10
40/645
D212,896 S * 12/1968 Roth G09F 3/08
D11/81
D249,192 S * 8/1978 Boecher, Jr. D11/143

1 Claim, 4 Drawing Sheets



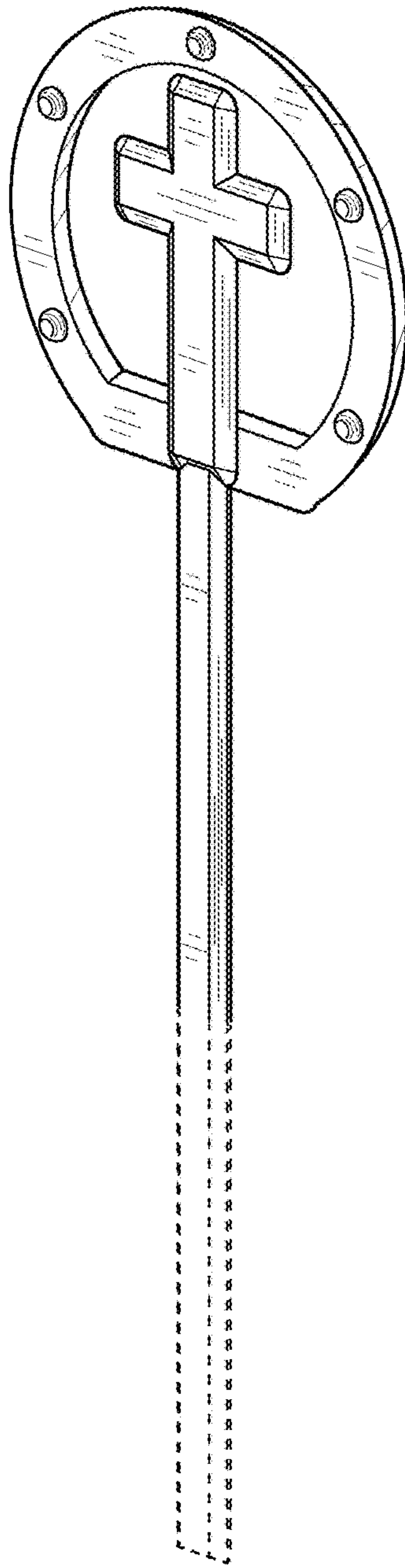


FIG. 1

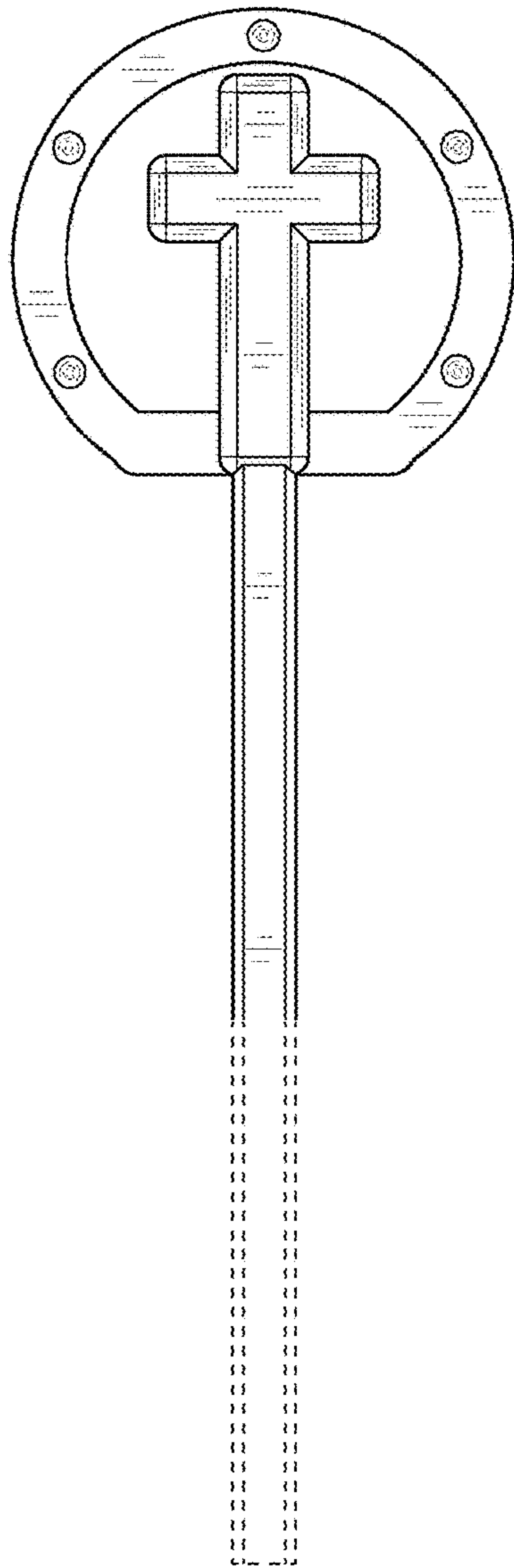


FIG. 2

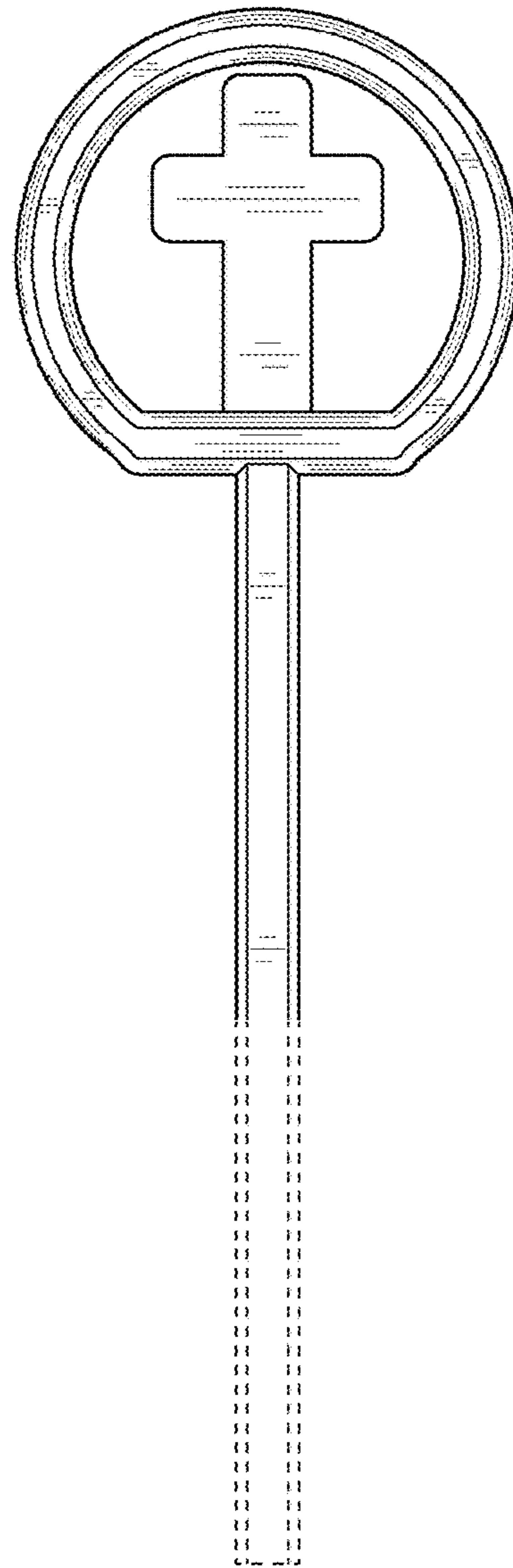


FIG. 3

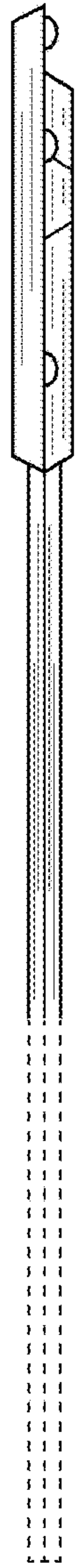


FIG. 4

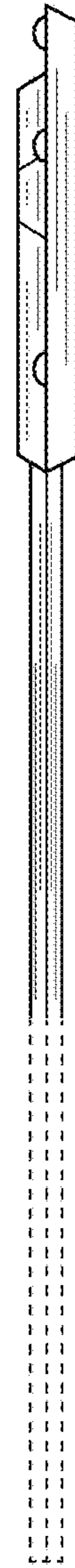


FIG. 5

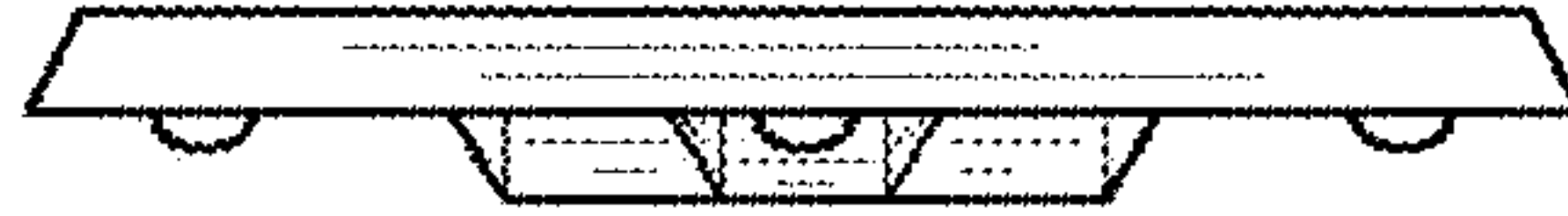


FIG. 6



FIG. 7