



US00D849141S

(12) **United States Design Patent** (10) **Patent No.:** **US D849,141 S**  
**Miceli et al.** (45) **Date of Patent:** **\*\* May 21, 2019**

(54) **PHARMACEUTICAL CLOSURE COMPLIANCE LABEL**

(71) Applicant: **Tri State Distribution, Inc.**, Sparta, TN (US)

(72) Inventors: **David A. Miceli**, Reno, NV (US);  
**Joseph A. Miceli**, Spencer, TN (US)

(73) Assignee: **Tri State Distribution, Inc.**, Sparta, TN (US)

(\*\*) Term: **15 Years**

(21) Appl. No.: **29/615,808**

(22) Filed: **Aug. 31, 2017**

**Related U.S. Application Data**

(63) Continuation-in-part of application No. 15/221,783, filed on Jul. 28, 2016, now Pat. No. 9,782,327.

(51) **LOC (11) Cl.** ..... **19-08**

(52) **U.S. Cl.**  
USPC ..... **D20/28**

(58) **Field of Classification Search**  
USPC ..... D20/11, 18, 19, 22-28, 40, 99; D9/434, D9/456, 457, 499; D11/95  
CPC ..... G09F 1/00; G09F 1/02; G09F 3/00; G09F 2003/0201; G09F 2003/0207; G09F 2003/0208; G09F 2003/0211; G09F 2003/023; G09F 2003/0239; G09F 2003/0257; G09F 2003/0264; G09F 2003/0266; G09F 2003/0267; G09F 2003/0272; G09F 2003/0273; G09F 2003/0279; A61J 7/04; A61J 7/0472; A61J 7/0481; B42D 15/00; B42D 55/026; G07F 1/06

See application file for complete search history.

(56) **References Cited**

U.S. PATENT DOCUMENTS

D2,627 S *	4/1867	Arnold	.....	D20/24
2,063,356 A *	12/1936	Wiggins	.....	G07F 1/06
				194/214
5,058,959 A *	10/1991	Miles	.....	G09F 3/00
				283/81
D517,122 S *	3/2006	Milliorn	.....	G09F 3/10
				D20/28
7,907,477 B2 *	3/2011	Puzia	.....	A61J 7/0472
				215/230
D737,377 S *	8/2015	Philippi	.....	A61J 7/0472
				D20/11
D785,096 S *	4/2017	Edwards	.....	A61J 7/04
				D20/11

(Continued)

*Primary Examiner* — Mary Ann Calabrese

(74) *Attorney, Agent, or Firm* — Luedeka Neely Group, P.C.

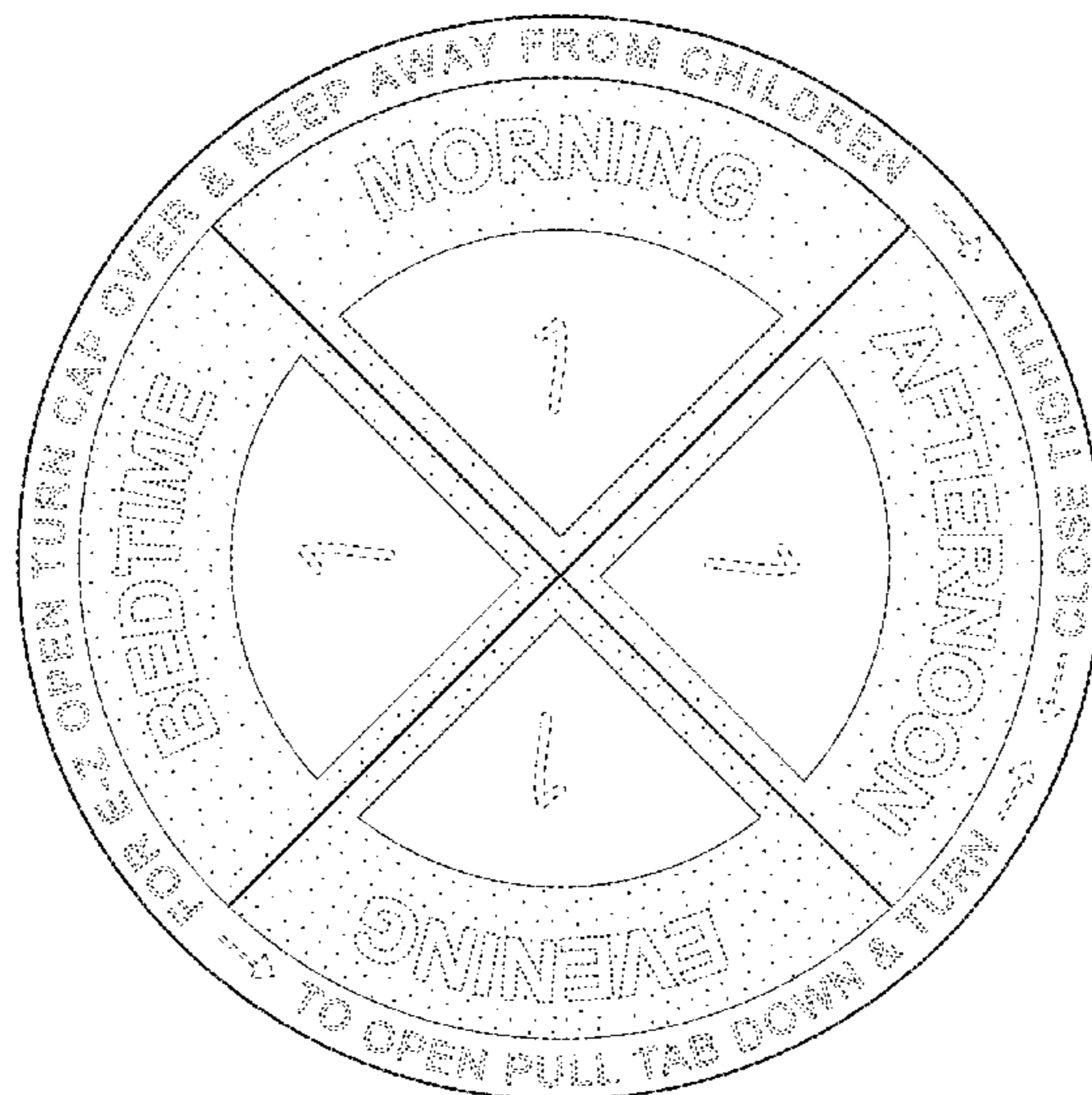
(57) **CLAIM**

The ornamental design for a pharmaceutical closure compliance label, as shown and described.

**DESCRIPTION**

FIG. 1 is a top view of the pharmaceutical closure compliance label;  
FIG. 2 is a perspective view of the pharmaceutical closure compliance label as elevated from its intended position on an exemplary pharmaceutical closure; and,  
FIG. 3 is a perspective view of the pharmaceutical closure compliance label in its position on an exemplary pharmaceutical closure.  
The broken lines showing the text on the pharmaceutical closure compliance label illustrate portions of the article that form no part of the claimed design. The broken lines showing a pharmaceutical bottle and closure in FIGS. 2 and 3 illustrate environment and form no part of the claimed design.

**1 Claim, 3 Drawing Sheets**



(56)

**References Cited**

U.S. PATENT DOCUMENTS

2013/0313254 A1\* 11/2013 Miceli ..... B65D 55/026  
220/212  
2013/0313817 A1\* 11/2013 Miceli ..... B65D 41/04  
283/67  
2013/0341329 A1 12/2013 Adler et al.  
2014/0202978 A1\* 7/2014 Hwang, II ..... A61J 7/04  
215/230  
2016/0331642 A1\* 11/2016 Miceli ..... A61J 7/04

\* cited by examiner

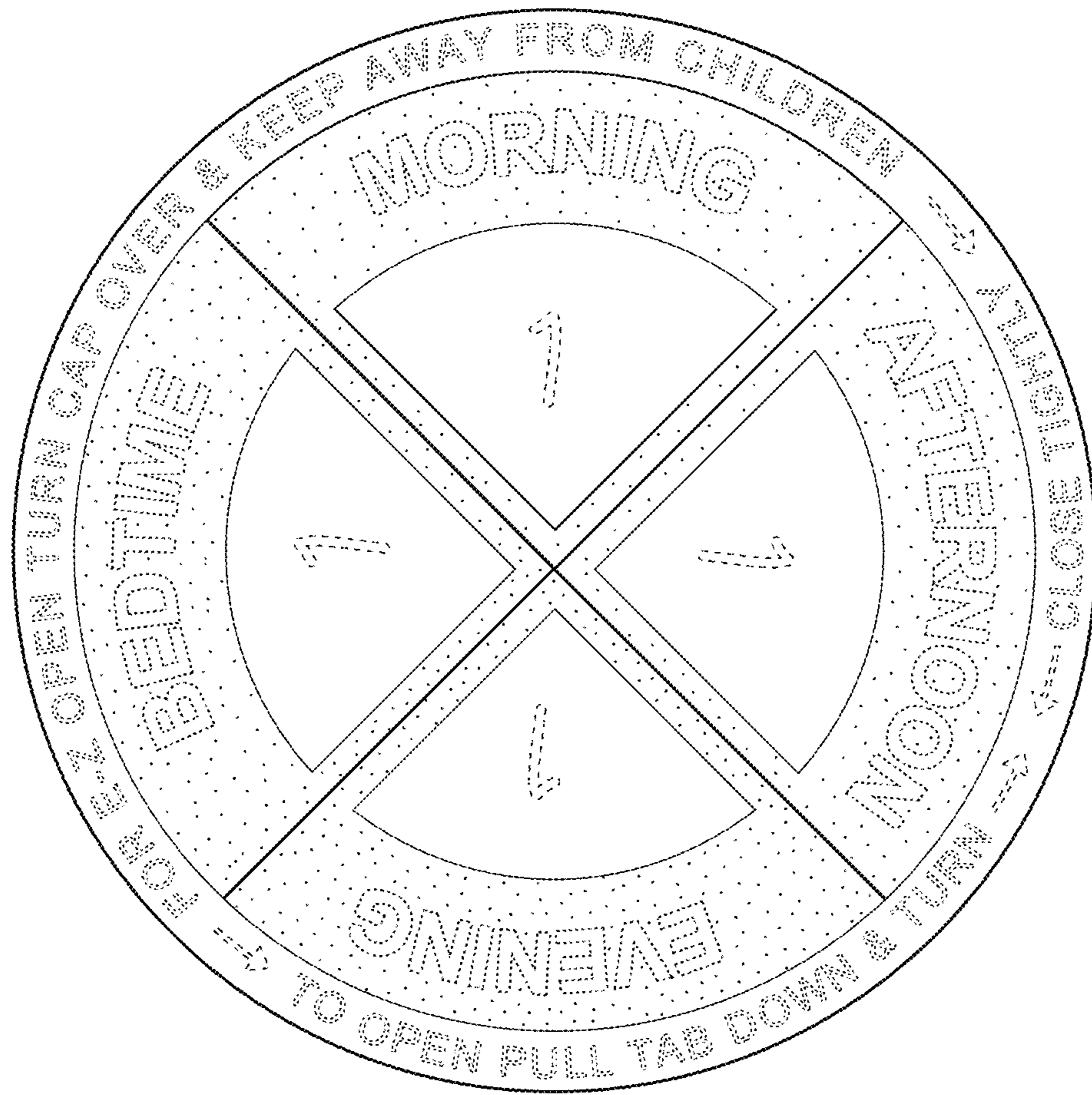


FIG. 1

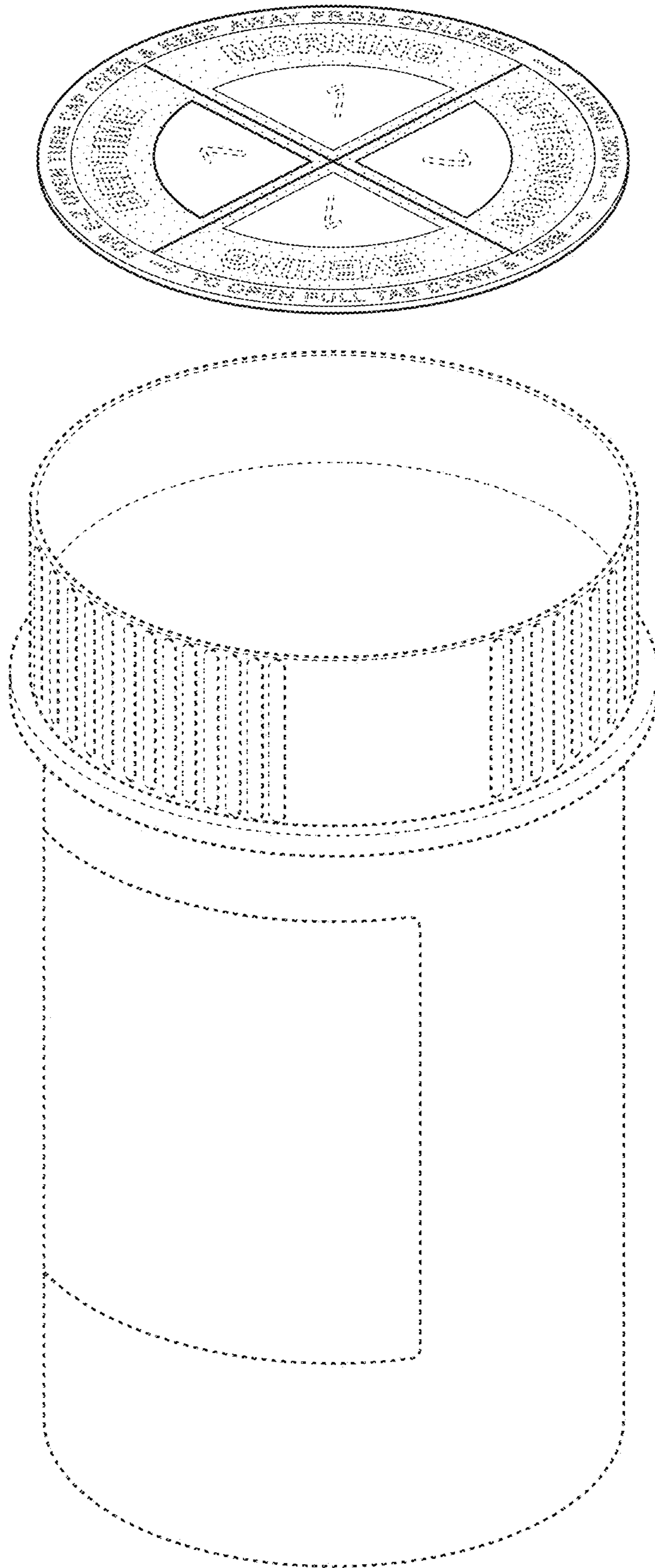


FIG. 2

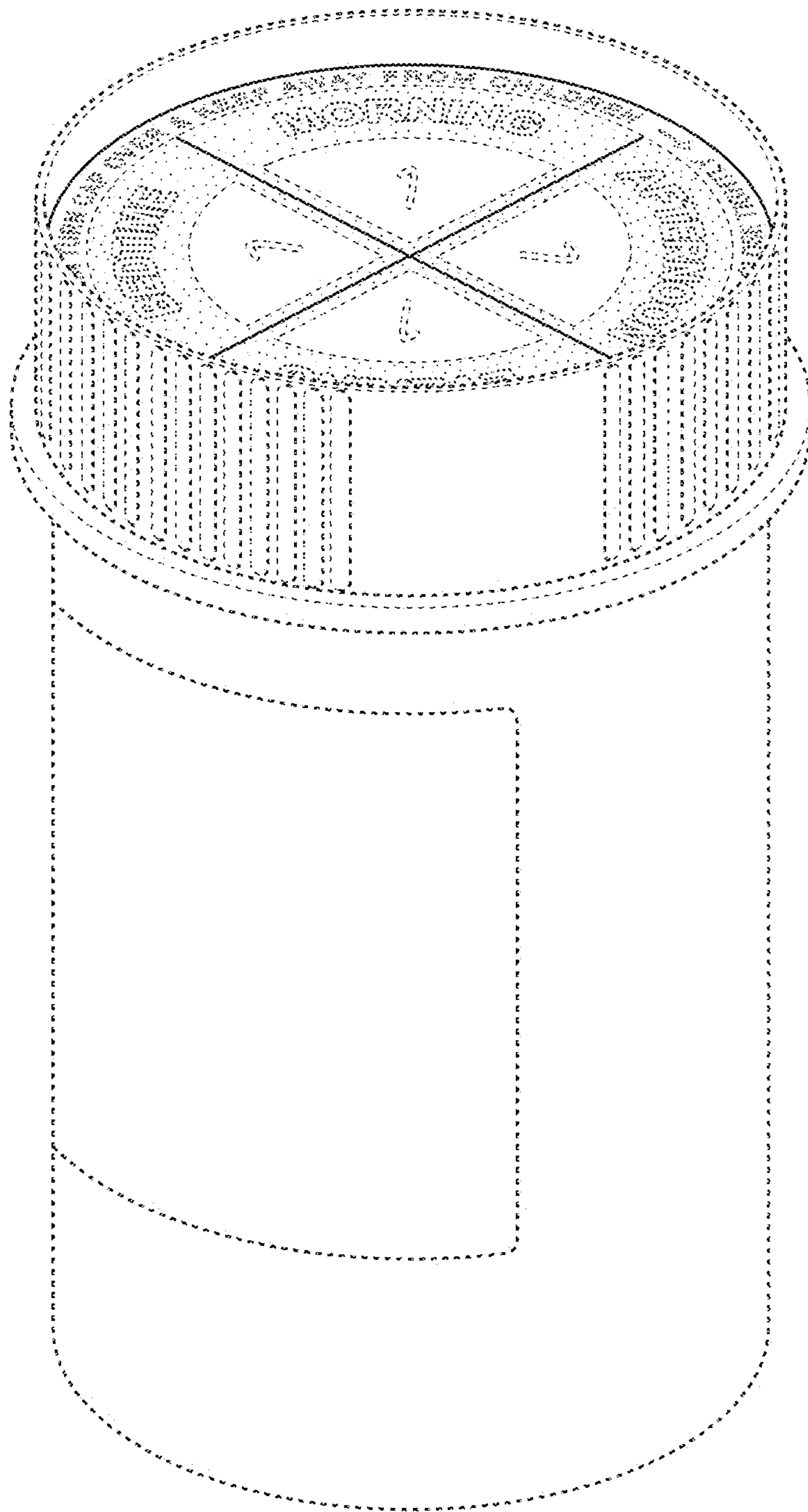


FIG. 3