



US00D849140S

(12) **United States Design Patent** (10) **Patent No.:** **US D849,140 S**
Zenoff (45) **Date of Patent:** **** May 21, 2019**

(54) **WEARABLE DISPLAY DEVICES**
(71) Applicant: **Beam Authentic, LLC**, San Anselmo, CA (US)
(72) Inventor: **Andrew Zenoff**, San Anselmo, CA (US)
(73) Assignee: **Beam Authentic, Inc.**, San Anselmo, CA (US)

1,190,427 A 7/1916 Kromer, Jr.
1,196,823 A 9/1916 Tokutaro
1,215,311 A 2/1917 Thomas
1,222,528 A 4/1917 Leon
1,378,977 A 5/1921 Parmley
D58,303 S 7/1921 Kate
1,427,891 A 9/1922 Ziegler
D62,863 S 8/1923 Isaac
1,481,975 A 1/1924 Bender
(Continued)

(**) Term: **15 Years**
(21) Appl. No.: **29/589,942**

FOREIGN PATENT DOCUMENTS

CN 203327079 U 12/2013
WO WO-2012061438 A2 5/2012
WO WO-2014054211 A1 4/2014

(22) Filed: **Jan. 5, 2017**
(51) **LOC (11) Cl.** **20-03**
(52) **U.S. Cl.**
USPC **D20/19; D20/28**
(58) **Field of Classification Search**
USPC D20/10, 17, 19, 22-28, 39, 42, 99;
D6/308, 309; D10/109.2, 113.4;
D14/126, 307, 374
CPC G09F 3/20; G09F 7/00; G09F 9/00; G09F
9/35; G09F 11/00; G09F 13/00; G09F
13/04; G09F 13/0413; G09F 13/12; G09F
15/00; G09F 15/02; G09F 21/00; G09F
21/02; G09F 21/026; B60R 13/005
See application file for complete search history.

OTHER PUBLICATIONS

Notice of allowance dated Apr. 11, 2017 (2nd NOA) for U.S. Appl. No. 29/500,407 of inventor Andrew Zenoff.

(Continued)

Primary Examiner — Mary Ann Calabrese
(74) *Attorney, Agent, or Firm* — Fenwick & West LLP

(57) **CLAIM**

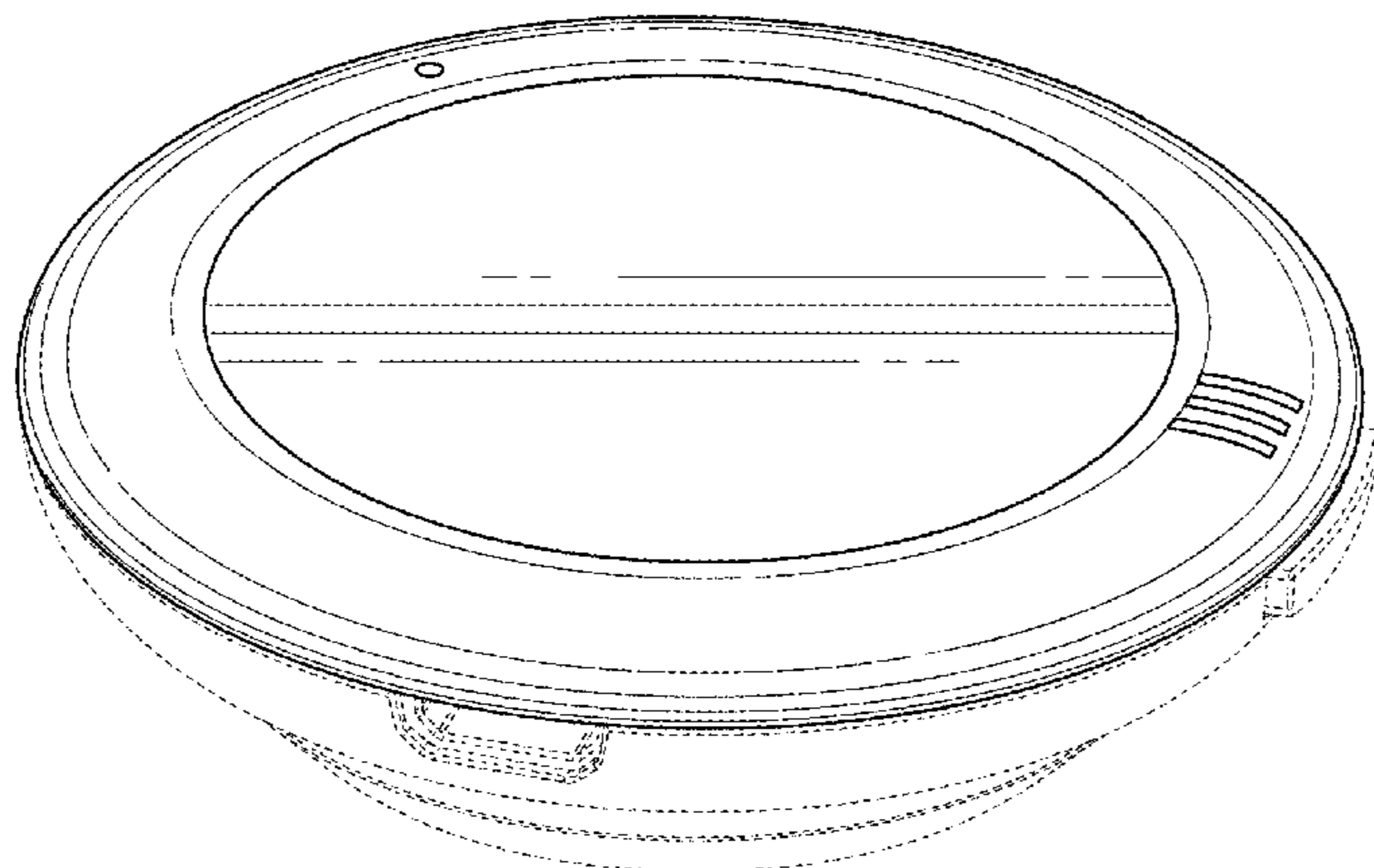
The ornamental design for a wearable display device, as shown and described.

DESCRIPTION

FIG. 1 is a top perspective view of the wearable display device showing our new design;
FIG. 2 is a top plan view thereof;
FIG. 3 is a bottom plan view thereof;
FIG. 4 is a left elevation view thereof;
FIG. 5 is a right elevation view thereof;
FIG. 6 is a front elevation view thereof; and,
FIG. 7 is a rear elevation view thereof.
The broken lines show portions of the wearable display device that form no part of the claimed design.

(56) **References Cited**
U.S. PATENT DOCUMENTS
65,871 A 6/1867 Browne
168,063 A 9/1875 Taylor
175,399 A 3/1876 Wheldon et al.
175,733 A 4/1876 Myers et al.
176,714 A 4/1876 Vanhon
260,332 A 6/1882 Simonson
740,330 A 9/1903 Luther
761,601 A 5/1904 Oscar
D39,680 S 12/1908 Henby
1,114,400 A 10/1914 Abraham

1 Claim, 7 Drawing Sheets



(56)

References Cited

U.S. PATENT DOCUMENTS

D64,441 S	4/1924	Henry	5,621,914 A	4/1997	Ramone et al.
1,502,160 A	7/1924	Reinthal	5,632,044 A	5/1997	Sloot
D66,331 S	12/1924	Pegg	5,638,202 A	6/1997	Rofe
1,560,073 A	11/1925	Bontempi et al.	D383,892 S	9/1997	Virzi
1,566,663 A	12/1925	Finkelstein	D389,754 S	1/1998	Skubala
1,582,812 A	4/1926	Avin	D391,741 S	3/1998	Baker
1,586,242 A	5/1926	Duthie	D396,546 S	8/1998	Marrs
1,606,798 A	11/1926	Karger	D396,938 S	8/1998	Bugatti
1,616,475 A	2/1927	Tracey	D397,239 S	8/1998	Marrs
D73,128 S	7/1927	Harris	5,794,267 A	8/1998	Wallace
D79,398 S	9/1929	Edward	D397,838 S	9/1998	Waggonner
1,782,414 A	11/1930	Duer	5,823,328 A	10/1998	Fomby
1,784,970 A	12/1930	Melton	D401,086 S	11/1998	Hellwig
D95,170 S	4/1935	Baumgard	D401,738 S	12/1998	Scerbo
2,094,104 A	9/1937	Lee et al.	D403,491 S	1/1999	Wyatt et al.
D115,046 S	5/1939	Marks	D405,239 S	2/1999	Kostinko
2,226,133 A	12/1940	Lee, Jr.	D406,687 S	3/1999	Thorpe
2,252,207 A	8/1941	Rodgers	D407,190 S	3/1999	Day
D130,393 S	11/1941	Paul et al.	5,943,698 A	8/1999	Blanks
2,298,381 A	10/1942	Horwitz	5,945,179 A	8/1999	Gautreanu
2,387,482 A	10/1945	Vineberg	5,956,630 A	9/1999	MacKey
2,440,407 A	4/1948	Kuenstner	5,960,476 A	10/1999	Danzy
2,445,922 A	7/1948	Ostolaza et al.	D417,063 S	11/1999	Henning
D162,354 S	3/1951	Smith	D418,279 S	1/2000	Day
2,604,807 A	7/1952	Woodburn	6,012,172 A	1/2000	Steffy
2,682,667 A	7/1954	Michelstetter	6,022,599 A	2/2000	Rietveld et al.
2,776,435 A	1/1957	Trimpert	D424,282 S	5/2000	Crumpton et al.
2,839,860 A	6/1958	Fry	D427,751 S	7/2000	Richlin
D193,829 S	10/1962	Van-Den-Berg	6,154,992 A	12/2000	Lee
3,346,153 A	10/1967	Galasso	D436,991 S	1/2001	Morgante
3,556,115 A	1/1971	Ann	D438,374 S	3/2001	Hayman
D221,719 S	8/1971	Hoskins	D441,191 S	5/2001	Vazquez
D231,356 S	4/1974	Kurz	D444,618 S	7/2001	Wilson
3,895,797 A	7/1975	Moore	D447,318 S	9/2001	Gath
3,959,826 A	6/1976	Hakanson	6,308,445 B1	10/2001	Porraro
D251,336 S	3/1979	Getgey	D452,767 S	1/2002	Balloni et al.
D255,397 S	6/1980	Button	D453,610 S	2/2002	Lee
D263,092 S	2/1982	Fay	6,370,696 B1	4/2002	Kronenberger
4,529,278 A	7/1985	Nugent	D459,059 S	6/2002	Park
4,535,478 A	8/1985	Zuefle	D459,094 S	6/2002	Stone et al.
4,611,355 A	9/1986	Galanto et al.	6,408,443 B1	6/2002	Park
4,636,047 A	1/1987	Green	D460,604 S	7/2002	Sullivan, Jr.
4,671,003 A	6/1987	Vitol	D461,847 S *	8/2002	Phelps B60R 13/005
D292,044 S	9/1987	Billiet			D20/17
4,710,981 A	12/1987	Sanchez	6,470,499 B1	10/2002	Joiner
4,827,384 A	5/1989	Von Schlemmer	D470,450 S	2/2003	Olzak
4,834,688 A	5/1989	Jones	D472,695 S	4/2003	Lee
4,873,726 A	10/1989	Tapia	D473,039 S	4/2003	Erspamer
4,906,025 A	3/1990	Schreindl	D474,697 S	5/2003	Fu et al.
4,924,613 A	5/1990	Levin	6,588,021 B2	7/2003	Kronenberger
5,054,127 A	10/1991	Zevchak	D478,710 S	8/2003	Yan
5,070,545 A	12/1991	Tapia	D482,185 S	11/2003	Park
5,099,594 A	3/1992	Reas et al.	6,643,847 B1	11/2003	Dornak
5,102,129 A	4/1992	Roberts	D483,173 S	12/2003	Harris et al.
5,131,177 A	7/1992	Sy, Jr.	D483,928 S	12/2003	Mansell et al.
5,167,559 A	12/1992	Power-Fardy	6,672,748 B2	1/2004	Baldwin
D333,030 S	2/1993	Wilkes	D487,329 S	3/2004	Prinz
5,253,368 A	10/1993	Blake	6,751,805 B1	6/2004	Austion
D341,712 S	11/1993	Fulcher	D494,745 S	8/2004	Kronenberger
5,305,538 A	4/1994	Kanzelberger	D496,146 S	9/2004	Appleberry
D347,102 S	5/1994	Strasner	D496,775 S	10/2004	Tanner
D350,221 S	9/1994	Van Doren	D497,648 S	10/2004	Carlson
5,359,733 A	11/1994	Brannon et al.	6,810,533 B1	11/2004	Nahabedian et al.
5,414,948 A *	5/1995	Kudo G09F 3/20	6,820,281 B2	11/2004	Mariland et al.
		40/651	D502,589 S	3/2005	Lee
5,437,062 A	8/1995	Douglas	D509,947 S	9/2005	Fortune
5,452,479 A	9/1995	Mostert	6,948,189 B2	9/2005	Early
5,454,120 A	10/1995	Rowlands	D517,283 S	3/2006	Shin et al.
5,462,471 A	10/1995	Power-Fardy	D522,559 S	6/2006	Naito et al.
5,465,426 A	11/1995	Beaton	D523,612 S	6/2006	Steger
5,476,194 A	12/1995	Hippely et al.	D539,012 S	3/2007	Evans
5,477,629 A	12/1995	Gleason, Jr.	D543,014 S	5/2007	Sharpe et al.
D367,158 S	2/1996	Baker	D543,338 S	5/2007	Park
D370,354 S	6/1996	Deakyne	7,219,374 B2	5/2007	Cho
5,548,847 A	8/1996	Spicijaric	D546,075 S *	7/2007	Kreiss D6/309
			D548,657 S	8/2007	Eskandry
			D558,427 S	1/2008	Solin
			D558,431 S	1/2008	Pritchett
			D558,955 S	1/2008	Taylor

(56)

References Cited

U.S. PATENT DOCUMENTS

7,331,064 B1 2/2008 Quintal
 D576,501 S 9/2008 Tang
 7,424,751 B1 9/2008 Miller
 D577,879 S 10/2008 Jones
 D580,184 S 11/2008 Svendsen et al.
 7,472,506 B2* 1/2009 Lapointe G09F 13/04
 362/359
 7,490,364 B2 2/2009 Kim
 D600,571 S 9/2009 Singer
 D600,879 S 9/2009 Accardi
 D603,144 S 11/2009 South
 D603,585 S 11/2009 Capriola
 7,621,000 B1 11/2009 Fulton
 D606,284 S 12/2009 Caten et al.
 D607,627 S 1/2010 Kowalczyk
 D608,531 S 1/2010 Kronenberger
 D613,037 S 4/2010 Iamartino et al.
 D617,636 S 6/2010 Vanhoutte
 D619,336 S 7/2010 Eyl
 D619,789 S 7/2010 Barany
 D621,590 S 8/2010 Martin
 D624,286 S 9/2010 Hall
 D625,082 S 10/2010 Jones
 D627,383 S 11/2010 Sheppard et al.
 D629,183 S 12/2010 Adams et al.
 D630,822 S 1/2011 Thomas
 D633,399 S 3/2011 Zinder
 D635,336 S 4/2011 Alger
 D635,743 S 4/2011 Johnson
 D635,976 S 4/2011 Lee et al.
 D636,562 S 4/2011 Lam et al.
 7,926,122 B1 4/2011 Countryman
 7,974,432 B1 7/2011 Ryan
 7,992,224 B2 8/2011 Tai
 8,008,564 B2 8/2011 Wilens
 D647,286 S 10/2011 Malek
 D647,689 S 11/2011 Girbaud et al.
 D649,040 S 11/2011 Sanders
 D649,744 S 12/2011 Weinshanker
 8,082,003 B2 12/2011 Jee
 D653,017 S 1/2012 Hamlin
 D654,251 S 2/2012 Alkas-Shamoun
 D655,601 S 3/2012 Daley et al.
 D657,424 S 4/2012 Podd
 D657,425 S* 4/2012 Podd B60R 13/005
 D20/42
 D658,603 S 5/2012 Egawa et al.
 D658,899 S 5/2012 Zadro
 D659,351 S 5/2012 Benkendorfer
 D660,554 S 5/2012 Blackshear
 8,181,372 B2* 5/2012 Osiecki B60R 13/005
 40/591
 D661,061 S 6/2012 Eveleth
 D661,063 S 6/2012 Eveleth
 D661,275 S 6/2012 Roka
 D661,446 S 6/2012 Davis
 D670,068 S 11/2012 Bomze
 D670,892 S 11/2012 Epstein
 D671,716 S 12/2012 Lam et al.
 D672,294 S 12/2012 Thompson
 8,364,220 B2 1/2013 Sandmore
 D681,867 S* 5/2013 Wegger D26/124
 8,453,265 B2 6/2013 Forte et al.
 8,458,820 B2 6/2013 Cleva
 8,474,064 B2* 7/2013 Hardy, III G09F 21/02
 2/10
 D693,099 S 11/2013 Purdy
 8,626,586 B1 1/2014 Biere et al.
 D699,928 S 2/2014 Tien
 D701,504 S 3/2014 Christopher et al.
 D701,507 S* 3/2014 Cope B32B 7/12
 D14/374
 8,677,515 B2 3/2014 Ishihara et al.
 D702,928 S 4/2014 White

D703,069 S 4/2014 Adams et al.
 D704,925 S 5/2014 Cho
 D705,527 S 5/2014 Clark
 D708,427 S 7/2014 Cho
 D709,675 S 7/2014 Cho
 D710,220 S 8/2014 Daniel
 D710,569 S 8/2014 Pelengaris
 D711,002 S 8/2014 Ohnemus et al.
 D711,874 S 8/2014 Cope
 D712,635 S 9/2014 Rivas
 D713,622 S 9/2014 Steel
 D714,031 S 9/2014 Javits, Jr.
 D716,078 S 10/2014 Theisen et al.
 8,869,312 B2 10/2014 Tuohy et al.
 D716,528 S 11/2014 Badish
 D717,019 S 11/2014 Van
 D718,731 S 12/2014 Lee et al.
 8,898,820 B2 12/2014 Sokolowski et al.
 8,905,560 B1 12/2014 Zadro
 D721,874 S 2/2015 Robbins et al.
 8,950,012 B2 2/2015 Ilges et al.
 D727,150 S 4/2015 Leitch et al.
 D729,650 S 5/2015 Phillips et al.
 D730,563 S 5/2015 Renshaw et al.
 D733,130 S 6/2015 Kim et al.
 D734,329 S 7/2015 Lee
 D736,495 S 8/2015 Bednarz
 D736,768 S 8/2015 Kuwabara et al.
 D736,993 S 8/2015 Wang et al.
 D738,071 S 9/2015 Kamhi et al.
 D739,403 S 9/2015 David et al.
 9,161,584 B1 10/2015 Garrett, Jr.
 D743,149 S 11/2015 Brandelli
 D745,251 S 12/2015 Bednarz
 D745,252 S 12/2015 Bednarz
 D746,283 S 12/2015 Cha et al.
 D748,091 S 1/2016 Akana et al.
 D748,379 S 2/2016 Fitzpatrick et al.
 D750,070 S 2/2016 Magi et al.
 D751,277 S 3/2016 Fishman
 D751,794 S 3/2016 Zenoff
 D751,795 S 3/2016 Zenoff
 D751,796 S 3/2016 Gewirz et al.
 D753,108 S 4/2016 Kuwabara et al.
 D753,625 S 4/2016 Young
 D754,422 S 4/2016 Andrew
 D757,721 S 5/2016 Dallmeyer et al.
 D759,009 S 6/2016 Kim et al.
 D759,010 S 6/2016 Fujita
 D760,475 S 7/2016 Zenoff
 D761,912 S 7/2016 Zenoff
 D764,592 S* 8/2016 Zenoff G09F 13/04
 D20/42
 D764,770 S 8/2016 Zenoff
 D764,771 S 8/2016 Zenoff
 D764,772 S 8/2016 Zenoff
 D765,357 S 9/2016 Zenoff
 D770,443 S 11/2016 Francis et al.
 D772,226 S 11/2016 Zenoff
 RE46,259 E 1/2017 Kim
 D776,202 S 1/2017 Zenoff
 D776,761 S 1/2017 Zenoff
 D776,762 S 1/2017 Zenoff
 D778,037 S 2/2017 Zenoff
 D783,607 S 4/2017 Lee et al.
 D791,443 S 7/2017 Zenoff
 2001/0034894 A1 11/2001 Godfrey et al.
 2002/0106472 A1* 8/2002 Liao B32B 7/12
 428/42.1
 2003/0073412 A1 4/2003 Meade et al.
 2003/0221234 A1 12/2003 Wang
 2004/0045199 A1* 3/2004 Ki G09F 13/04
 40/546
 2004/0221368 A1 11/2004 Okot
 2005/0132470 A1 6/2005 Wong
 2005/0214495 A1 9/2005 Thiebaut
 2006/0112707 A1 6/2006 Tu
 2006/0117458 A1 6/2006 Ishihara et al.
 2006/0206985 A1 9/2006 Proctor

(56)

References Cited

U.S. PATENT DOCUMENTS

2006/0209218	A1	9/2006	Lee et al.
2006/0249404	A1	11/2006	Adams
2007/0056078	A1	3/2007	Tseng
2007/0143906	A1	6/2007	Renteria
2007/0182664	A1	8/2007	Himmele
2007/0247312	A1	10/2007	Sekine
2007/0256213	A1	11/2007	Dunavin
2008/0000013	A1	1/2008	Talley
2008/0002527	A1	1/2008	Ishii et al.
2009/0084009	A1	4/2009	Vandergriff et al.
2009/0251888	A1	10/2009	Douglas
2009/0306485	A1	12/2009	Bell
2009/0310290	A1	12/2009	Tennent
2010/0058514	A1	3/2010	Koh
2010/0095573	A1	4/2010	Lifshitz
2010/0100004	A1	4/2010	Van
2010/0131613	A1	5/2010	Jonsson et al.
2010/0299979	A1	12/2010	Lamere
2010/0306808	A1	12/2010	Neumeier et al.
2010/0313334	A1	12/2010	Moy
2011/0041238	A1	2/2011	Brzoska
2011/0052839	A1*	3/2011	Pierce B60R 13/005 428/31
2011/0088715	A1	4/2011	Lee et al.
2011/0094016	A1	4/2011	Paulson
2011/0187681	A1	8/2011	Kim et al.
2011/0246908	A1	10/2011	Akram et al.
2011/0295749	A1	12/2011	Scalisi
2012/0005809	A1	1/2012	Johnson
2012/0036893	A1	2/2012	Forero et al.
2012/0089437	A1	4/2012	Amento et al.
2012/0163269	A1	6/2012	Shuster et al.
2012/0198600	A1	8/2012	Niazi
2012/0210616	A1	8/2012	Laraque
2012/0256902	A1	10/2012	Tam et al.
2012/0264492	A1	10/2012	Stewart
2012/0324076	A1	12/2012	Zerr et al.
2013/0104599	A1	5/2013	Beldiman
2013/0188322	A1	7/2013	Lowe et al.
2013/0222270	A1	8/2013	Winkler et al.
2013/0333095	A1	12/2013	Dudick
2014/0053316	A1	2/2014	Su
2014/0098009	A1	4/2014	Prest et al.
2014/0111323	A1	4/2014	Strout et al.
2014/0121539	A1	5/2014	Chatterjee et al.
2014/0160055	A1	6/2014	Margolis et al.
2014/0173807	A1	6/2014	Waters
2014/0176417	A1	6/2014	Young et al.
2015/0033445	A1	2/2015	Warner et al.
2015/0096104	A1	4/2015	Kim
2015/0146903	A1	5/2015	Mariasov
2015/0164166	A1	6/2015	Tsai
2015/0250245	A1	9/2015	Waters
2015/0312975	A1	10/2015	Tischler et al.
2016/0019821	A1	1/2016	Haddad

OTHER PUBLICATIONS

Notice of allowance dated Jun. 28, 2017 for U.S. Appl. No. 29/499,861 of Inventor Andrew Zenoff.
 Office action dated Apr. 6, 2017 for U.S. Appl. No. 29/500,408 of inventor Andrew Zenoff.
 Office action dated May 25, 2017 for U.S. Appl. No. 29/499,864 of inventor Andrew Zenoff.
 Office action dated Jun. 15, 2017 for U.S. Appl. No. 29/500,564 of inventor Andrew Zenoff.
 Alibaba.com. Mobile billboard advertising led truck new technology product in china mobile truck led tv screen. Available at http://www.alibaba.com/product-detail/mobile-billboard-advertising-led-truck-new_60181386676.html. Accessed on Jul. 24, 2015.
 Co-pending U.S. Appl. No. 29/499,861, filed Aug. 19, 2014 of inventor Andrew Zenoff.

Co-pending U.S. Appl. No. 29/499,864, filed Aug. 19, 2014 of inventor Andrew Zenoff.
 Co-pending U.S. Appl. No. 29/499,867, filed Aug. 19, 2014 of inventor Andrew Zenoff.
 Co-pending U.S. Appl. No. 29/500,139, filed Aug. 21, 2014 of inventor Andrew Zenoff.
 Co-pending U.S. Appl. No. 29/500,407, filed Aug. 25, 2014 of inventor Andrew Zenoff.
 Co-pending U.S. Appl. No. 29/500,408, filed Aug. 25, 2014 of inventor Andrew Zenoff.
 Co-pending U.S. Appl. No. 29/500,506, filed Aug. 26, 2014 of inventor Andrew Zenoff.
 Co-pending U.S. Appl. No. 29/500,546, filed Aug. 26, 2014 of inventor Andrew Zenoff.
 Co-pending U.S. Appl. No. 29/500,557, filed Aug. 26, 2014 of inventor Andrew Zenoff.
 Co-pending U.S. Appl. No. 29/500,558, filed Aug. 26, 2014 of inventor Andrew Zenoff.
 Co-pending U.S. Appl. No. 29/500,562, filed Aug. 25, 2014 of inventor Andrew Zenoff.
 Co-pending U.S. Appl. No. 29/500,564, filed Aug. 26, 2014 of inventor Andrew Zenoff.
 Co-pending U.S. Appl. No. 29/589,942, filed Jan. 5, 2017 of inventor Andrew Zenoff.
 Co-pending U.S. Appl. No. 29/590,754, filed Jan. 12, 2017 of inventor Andrew Zenoff.
 Ex Parte Quayle Action dated Feb. 17, 2016 for U.S. Appl. No. 29/500,551 of inventor Andrew Zenoff.
 Ex Parte Quayle action dated Feb. 17, 2016 for U.S. Appl. No. 29/500,553 of inventor Andrew Zenoff.
 Ex parte Quayle Office action dated Feb. 12, 2016 for U.S. Appl. No. 29/500,509 of inventor Andrew Zenoff.
 Ex parte Quayle Office action dated Dec. 3, 2015 for U.S. Appl. No. 29/500,562 of inventor Andrew Zenoff.
 Notice of allowance dated Feb. 3, 2016 for U.S. Appl. No. 29/500,504 of inventor Andrew Zenoff.
 Notice of allowance dated Mar. 3, 2016 for U.S. Appl. No. 29/500,555 of inventor Andrew Zenoff.
 "Notice of allowance dated Mar. 13, 2017 for U.S. Appl. No. 29/500,407 of inventor Andrew Zenoff."
 Notice of allowance dated Apr. 25, 2016 for U.S. Appl. No. 29/500,384 of inventor Andrew Zenoff.
 Notice of allowance dated Apr. 27, 2016 for U.S. Appl. No. 29/500,387 of inventor Andrew Zenoff.
 Notice of allowance dated Apr. 27, 2016 for U.S. Appl. No. 29/500,391 of inventor Andrew Zenoff.
 Notice of allowance dated Apr. 27, 2016 for U.S. Appl. No. 29/500,509 of inventor Andrew Zenoff.
 Notice of allowance dated Jun. 14, 2016 for U.S. Appl. No. 29/500,509 of inventor Andrew Zenoff.
 Notice of allowance dated Jun. 15, 2016 for U.S. Appl. No. 29/500,555 of inventor Andrew Zenoff.
 Notice of allowance dated Jun. 22, 2016 for U.S. Appl. No. 29/500,384 of inventor Andrew Zenoff.
 Notice of allowance dated Jun. 22, 2016 for U.S. Appl. No. 29/500,387 of inventor Andrew Zenoff.
 Notice of allowance dated Jun. 22, 2016 for U.S. Appl. No. 29/500,391 of inventor Andrew Zenoff.
 Notice of allowance dated Jul. 15, 2016 for U.S. Appl. No. 29/500,514 of inventor Andrew Zenoff.
 Notice of allowance dated Aug. 29, 2016 for U.S. Appl. No. 29/500,512 of inventor Andrew Zenoff.
 Notice of allowance dated Aug. 29, 2016 for U.S. Appl. No. 29/500,551 of inventor Andrew Zenoff.
 Notice of allowance dated Sep. 1, 2016 for U.S. Appl. No. 29/500,553 of inventor Andrew Zenoff.
 Notice of allowance dated Sep. 26, 2016 for U.S. Appl. No. 29/500,405 of inventor Andrew Zenoff.
 Notice of allowance dated Nov. 6, 2015 for U.S. Appl. No. 29/500,393 of inventor Andrew Zenoff.
 Notice of allowance dated Nov. 6, 2015 for U.S. Appl. No. 29/500,399 of inventor Andrew Zenoff.

(56)

References Cited

OTHER PUBLICATIONS

Notice of allowance dated Nov. 24, 2015 for U.S. Appl. No. 29/499,866 of inventor Andrew Zenoff.
Notice of allowance dated Apr. 25, 2016 for U.S. Appl. No. 29/500,381 of inventor Andrew Zenoff.
Office action dated Feb. 12, 2016 for U.S. Appl. No. 29/500,506 of inventor Andrew Zenoff.
Office action dated Feb. 19, 2016 for U.S. Appl. No. 29/500,512 of inventor Andrew Zenoff.
Office action dated Feb. 22, 2016 for U.S. Appl. No. 29/500,558 of inventor Andrew Zenoff.
Office action dated Mar. 14, 2016 for U.S. Appl. No. 29/500,546 of inventor Andrew Zenoff.
Office action dated Apr. 20, 2016 for U.S. Appl. No. 29/500,564 of inventor Andrew Zenoff.
Office action dated Aug. 2, 2016 for U.S. Appl. No. 29/499,861 of inventor Andrew Zenoff.
Office action dated Aug. 2, 2016 for U.S. Appl. No. 29/499,864 of inventor Andrew Zenoff.
Office action dated Aug. 10, 2016 for U.S. Appl. No. 29/499,867 of inventor Andrew Zenoff.
Office action dated Aug. 12, 2016 for U.S. Appl. No. 29/500,557 of inventor Andrew Zenoff.
Office action dated Sep. 12, 2016 for U.S. Appl. No. 29/500,408 of inventor Andrew Zenoff.
Office action dated Sep. 13, 2016 for U.S. Appl. No. 29/500,407 of inventor Andrew Zenoff.
Office action dated Sep. 27, 2016 for U.S. Appl. No. 29/500,558 of inventor Andrew Zenoff.

Office action dated Oct. 7, 2015 for U.S. Appl. No. 29/500,564 of inventor Andrew Zenoff.
Office action dated Oct. 8, 2015 for U.S. Appl. No. 29/500,405 of inventor Andrew Zenoff.
Office action dated Oct. 28, 2015 for U.S. Appl. No. 29/500,514 of inventor Andrew Zenoff.
Office action dated Nov. 5, 2015 for U.S. Appl. No. 29/500,407 of inventor Andrew Zenoff.
Office action dated Nov. 9, 2015 for U.S. Appl. No. 29/500,408 of inventor Andrew Zenoff.
Office action dated Nov. 12, 2015 for U.S. Appl. No. 29/499,864 of inventor Andrew Zenoff.
Office action dated Nov. 16, 2015 for U.S. Appl. No. 29/499,867 of inventor Andrew Zenoff.
Office action dated Nov. 19, 2015 for U.S. Appl. No. 29/499,861 of inventor Andrew Zenoff.
Office action dated Nov. 23, 2015 for U.S. Appl. No. 29/500,557 of inventor Andrew Zenoff.
Office action dated Nov. 24, 2015 for U.S. Appl. No. 29/500,139 of inventor Andrew Zenoff.
Office action dated Dec. 2, 2016 for U.S. Appl. No. 29/500,564 of inventor Andrew Zenoff.
Office action dated Aug. 12, 2016 for U.S. Appl. No. 29/500,139 of inventor Andrew Zenoff.
Webbozz.com. Stylish Circular Display Smart Watch—Motorola Moto 360. Feb. 2013. Available at <http://www.webbozz.com/stylish-circular-display-smart-watch-motorola-moto-360>. Accessed on Jul. 23, 2015.
Office action dated Aug. 3, 2017 for U.S. Appl. No. 29/499,867 of inventor Andrew Zenoff.

* cited by examiner

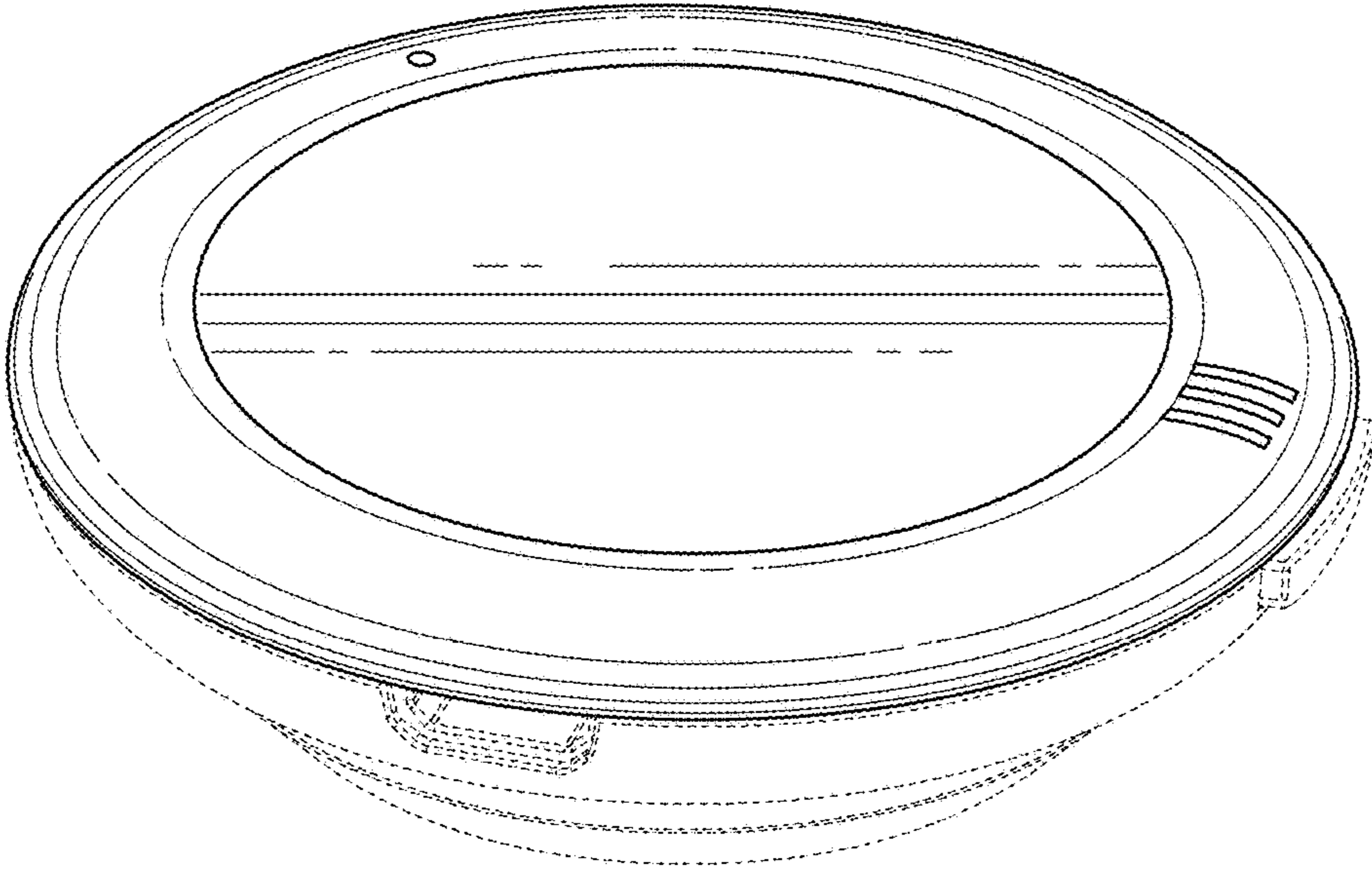


FIG. 1

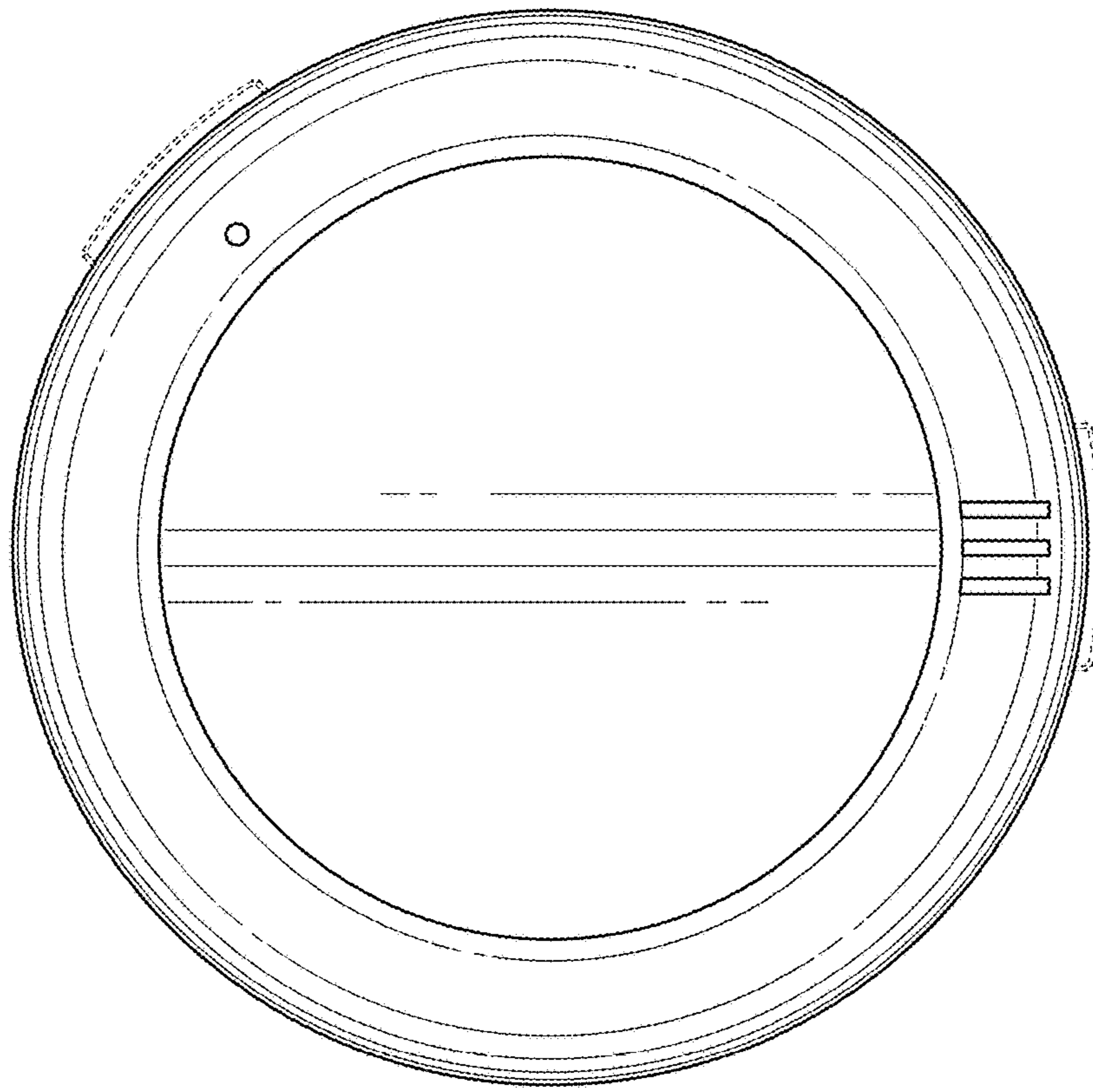


FIG. 2

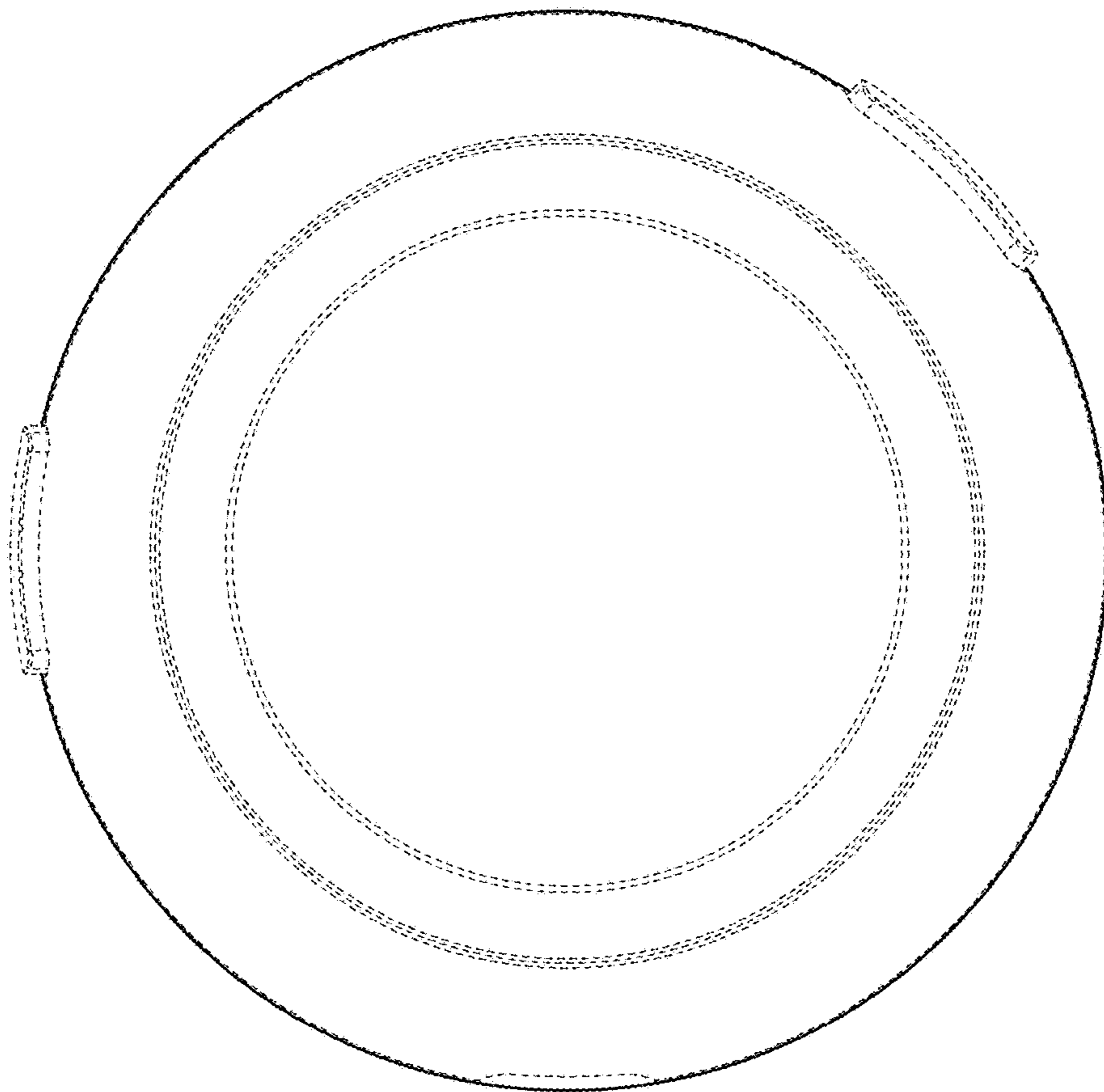


FIG. 3

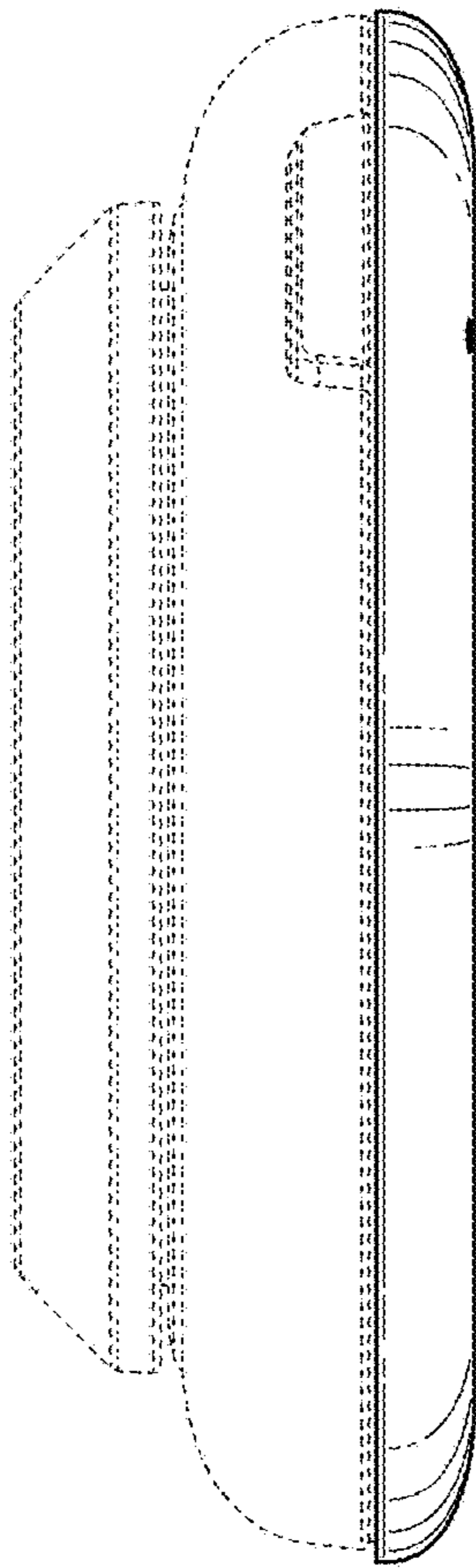


FIG. 4

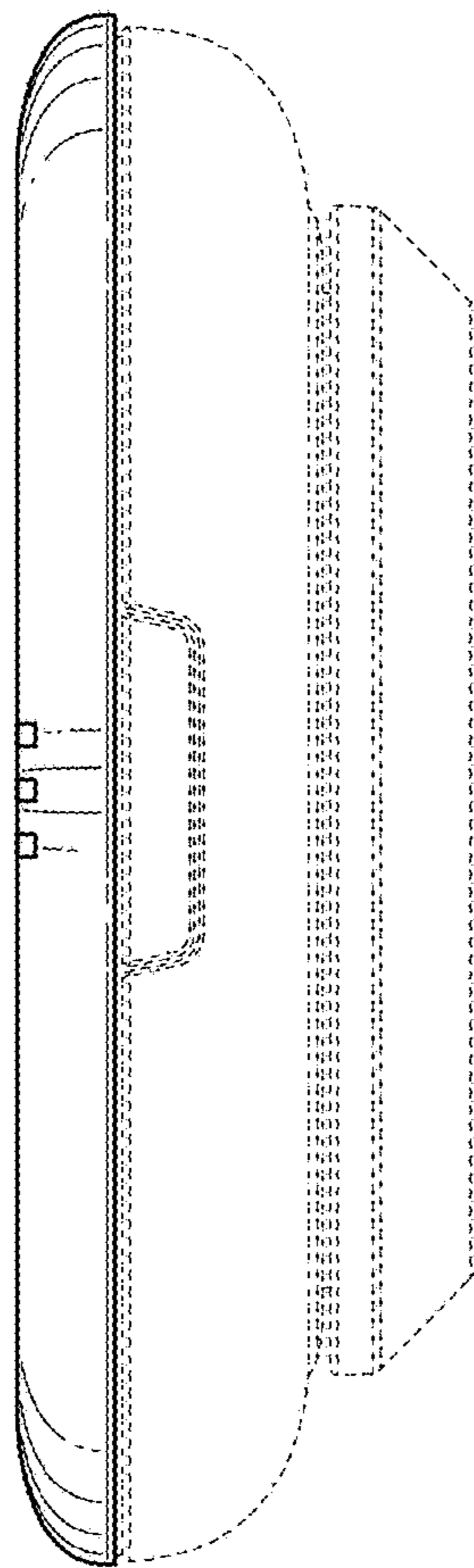


FIG. 5

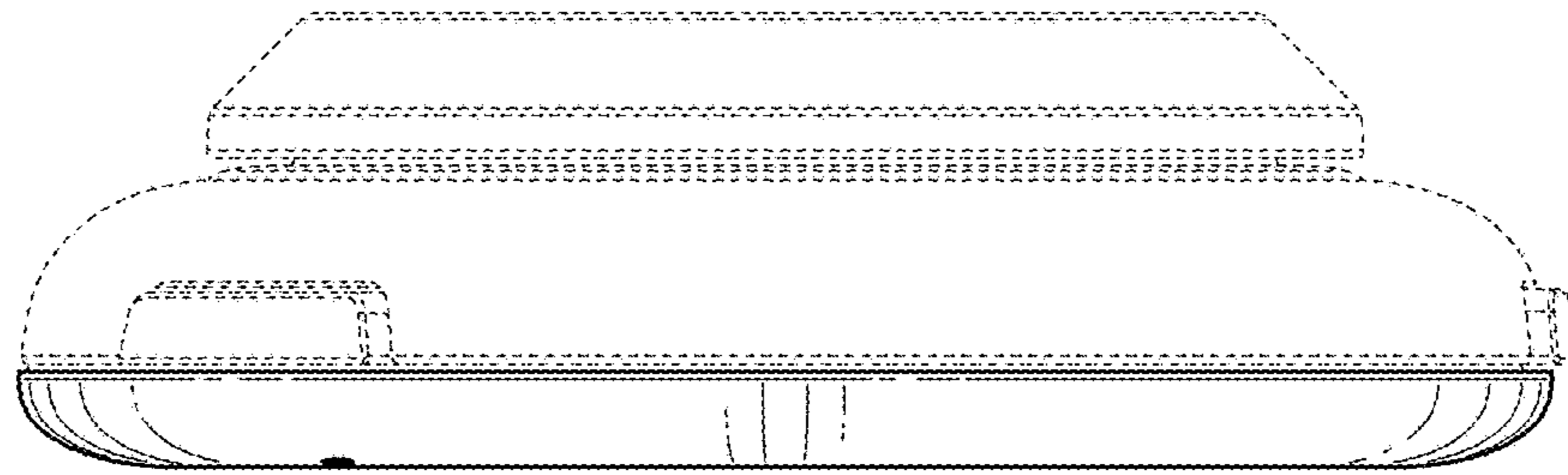


FIG. 6

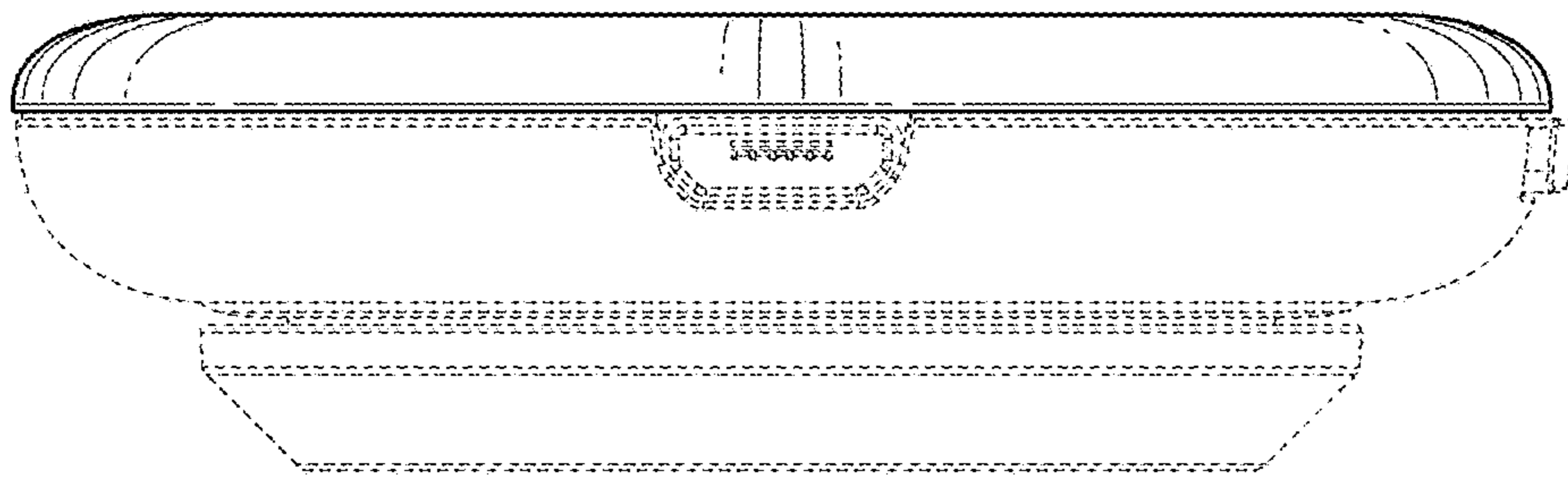


FIG. 7