



US00D849139S

(12) **United States Design Patent** (10) **Patent No.:** **US D849,139 S**
Ryu et al. (45) **Date of Patent:** **** May 21, 2019**

(54) **PARTITION WITH MONITOR FOR ADVERTISEMENT**

G09F 1/12; G09F 15/0006; G09F 15/0018; A47G 5/00; E04B 2/7422

See application file for complete search history.

(71) Applicant: **LG ELECTRONICS INC.**, Seoul (KR)

(56) **References Cited**

U.S. PATENT DOCUMENTS

(72) Inventors: **Junghan Ryu**, Seoul (KR); **Hewon Kihl**, Seoul (KR)

1,992,487	A *	2/1935	Jones	A47B 65/00
				211/43
4,250,640	A *	2/1981	Culhane	A47G 1/06
				40/537
D349,608	S *	8/1994	Savoie	D25/138
D389,194	S *	1/1998	Rinicella	D20/10
D405,976	S *	2/1999	Beall	D20/10
D548,234	S *	8/2007	Kurihara	D14/341
D680,090	S *	4/2013	Serota	D14/126
D709,469	S *	7/2014	Ryu	D14/126
D713,808	S *	9/2014	Ryu	D14/126

(73) Assignee: **LG ELECTRONICS INC.**, Seoul (KR)

(**) Term: **15 Years**

(21) Appl. No.: **35/503,935**

(Continued)

(22) Filed: **May 10, 2017**

OTHER PUBLICATIONS

(80) **Hague Agreement Data**

Int. Filing Date: **May 10, 2017**

Int. Reg. No.: **DM/096710**

Int. Reg. Date: **May 10, 2017**

Int. Reg. Pub. Date: **Nov. 10, 2017**

Sam's Club. Marque Triple-Unit Reception Station Plexi-Panel Front and 2 Locking Drawer Pedestals. 2018 [earliest online date], [site visited Aug. 10, 2018]. Available from Internet, <URL:https://www.samsclub.com/sams/reception-desk-curved-design-desk/prod21420696.ip?xid=plp_product_1_6>. (Year: 2018) (Year: 2018).*

Primary Examiner — George D. Kirschbaum

Assistant Examiner — Darcey E Heflin

(74) *Attorney, Agent, or Firm* — Birch, Stewart, Kolasch & Birch, LLP

(30) **Foreign Application Priority Data**

Nov. 11, 2016 (KR) 30-2016-0054457

(51) **LOC (11) Cl.** **20-03**

(52) **U.S. Cl.**

USPC **D20/10; D6/332**

(58) **Field of Classification Search**

USPC D20/10, 99, 19, 39, 42, 43, 27; D6/332,

D6/682.5, 672, 677, 677.4, 678.3, 680.1,

D6/680.2, 682.1, 682.3; D14/126, 371;

D19/113; D24/160; D10/30, 38

CPC G09F 15/00; G09F 15/0056; G09F 1/10;

(57) **CLAIM**

The ornamental design for a partition with monitor for advertisement, as shown and described.

DESCRIPTION

1. Partition with monitor for advertisement

1.1 : Perspective

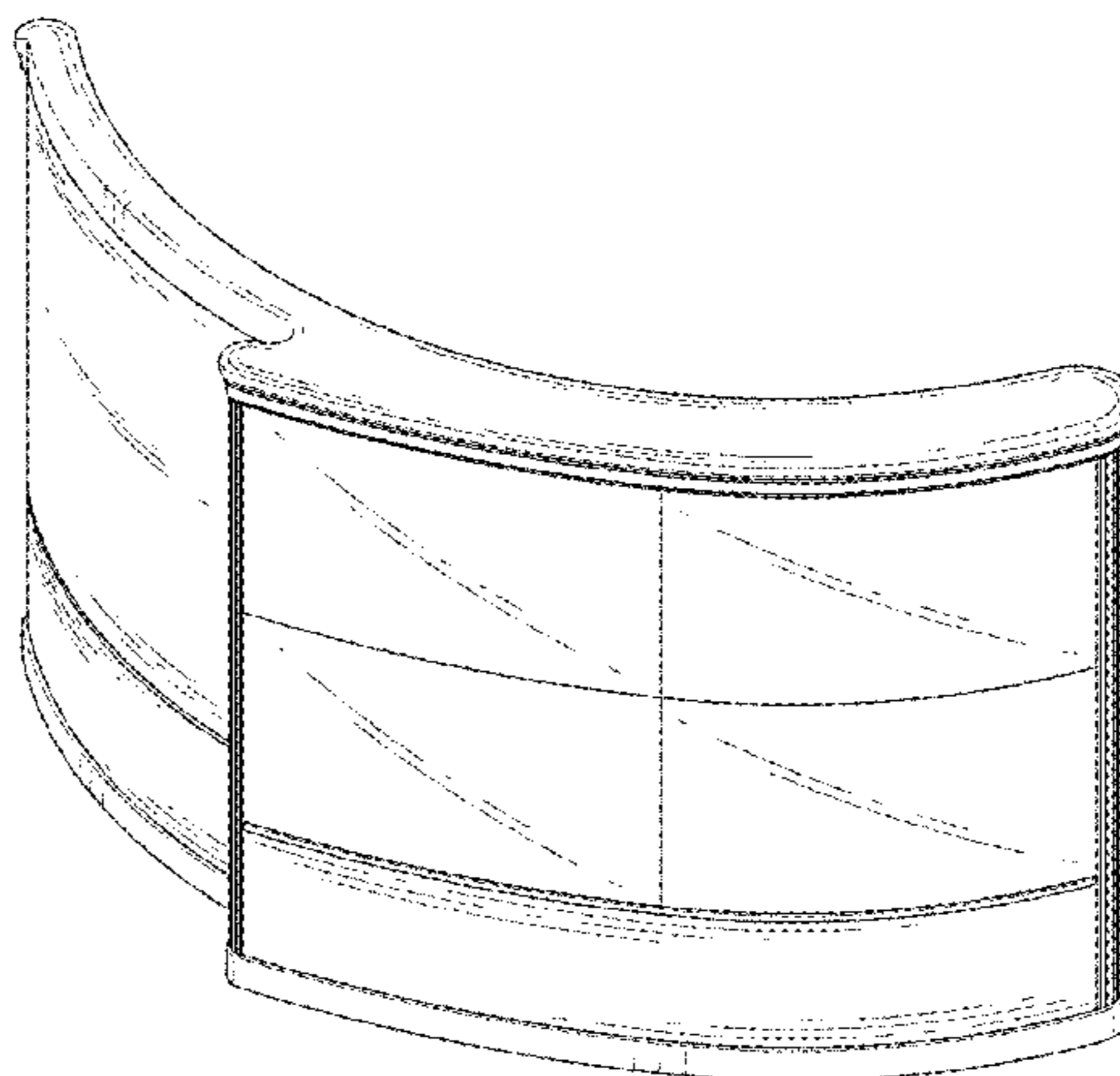
1.2 : Rear perspective

1.3 : Front

1.4 : Back

1.5 : Left

(Continued)



1.6 : Right
1.7 : Top
1.8 : Bottom

The broken lines shown in figure 1.8 depict portions of the partition with monitor for advertisement that form no part of the claimed design.

1 Claim, 8 Drawing Sheets

(56)

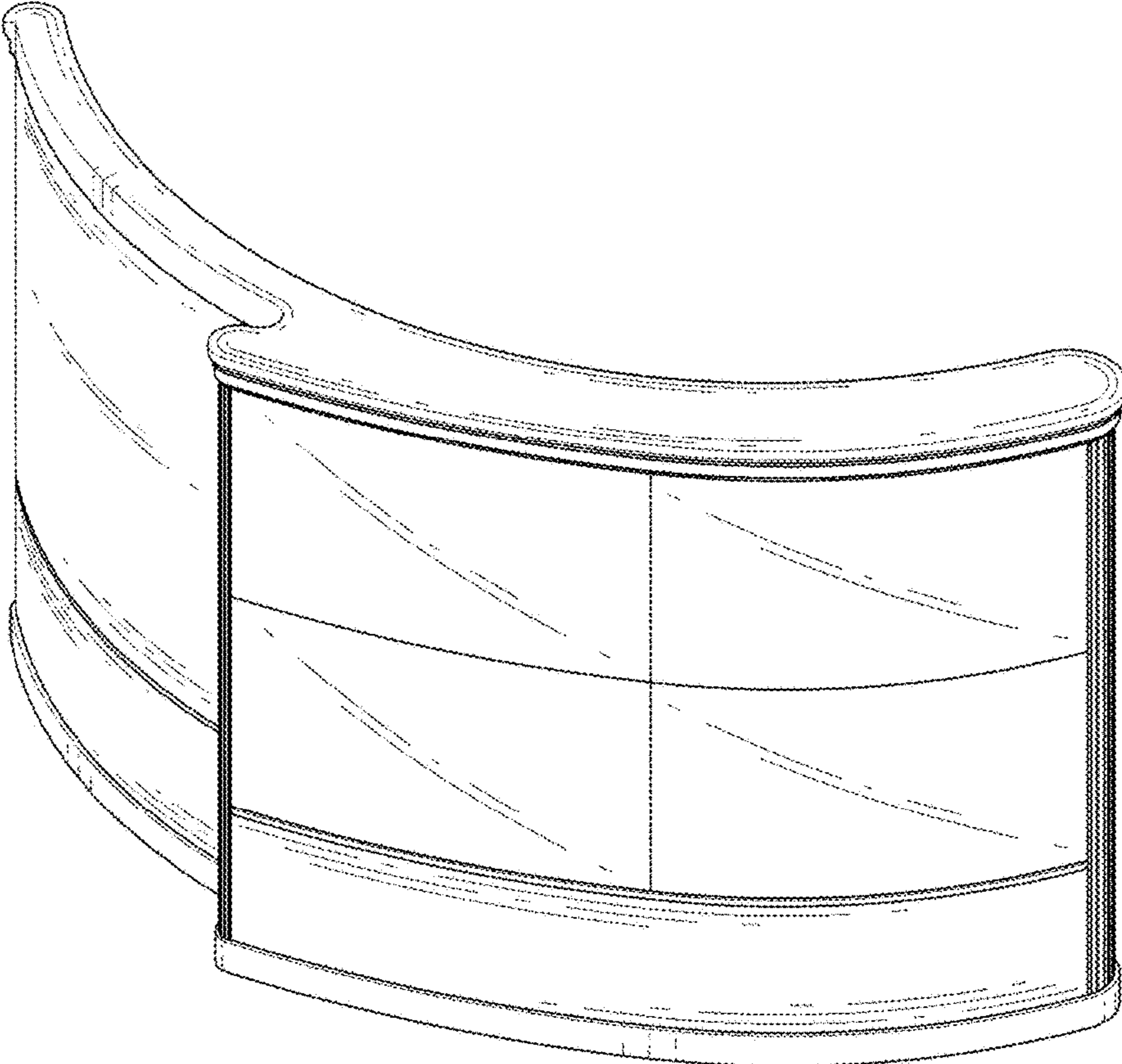
References Cited

U.S. PATENT DOCUMENTS

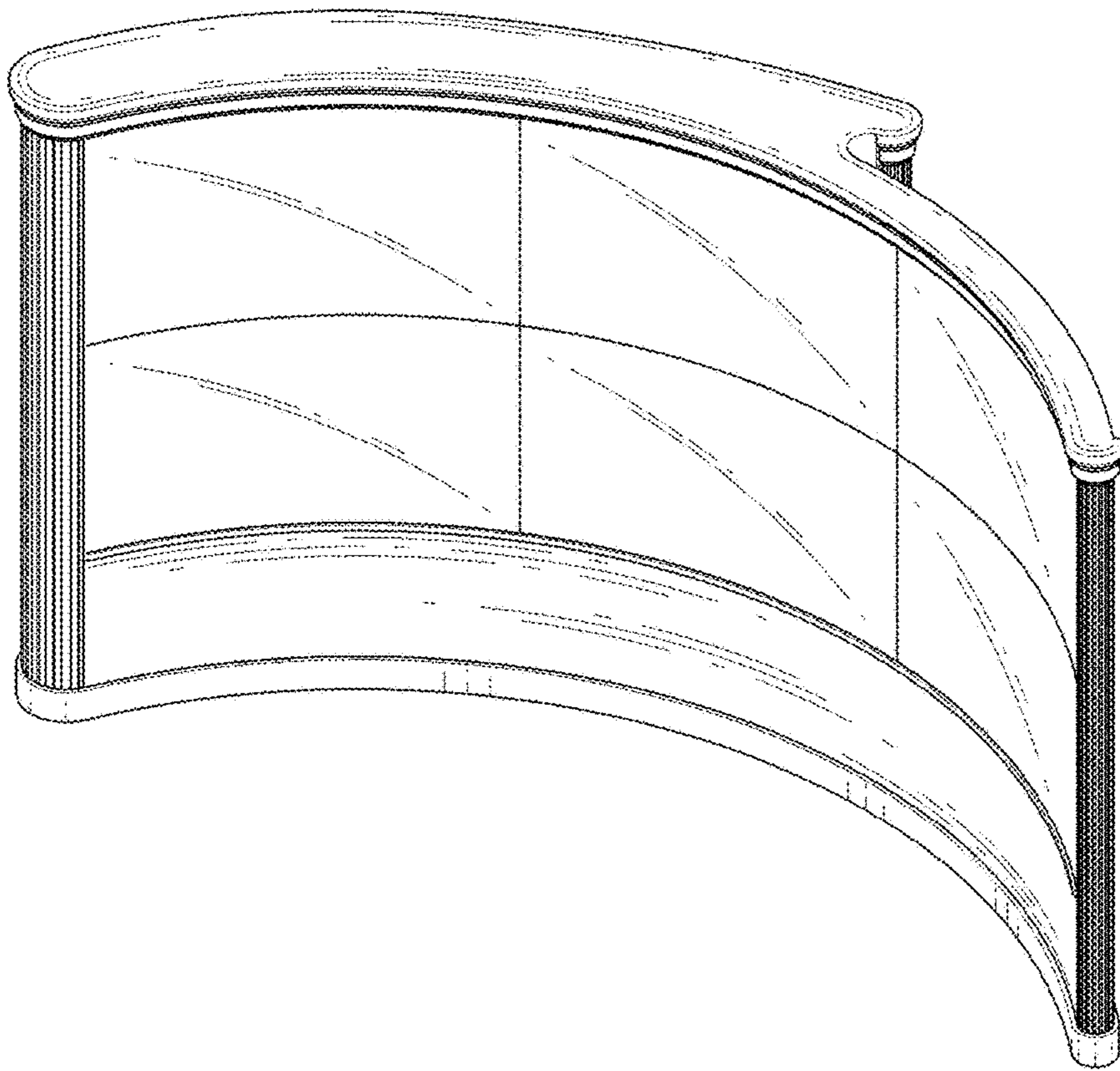
D719,612 S *	12/2014	Aleman	D20/41
D737,271 S *	8/2015	Morrissey	D14/371
D767,412 S *	9/2016	Voirin	D10/30
D812,533 S *	3/2018	Lee	D12/174
9,936,057 B2 *	4/2018	Kim	G04B 19/00
D817,296 S *	5/2018	Kim	D14/126

* cited by examiner

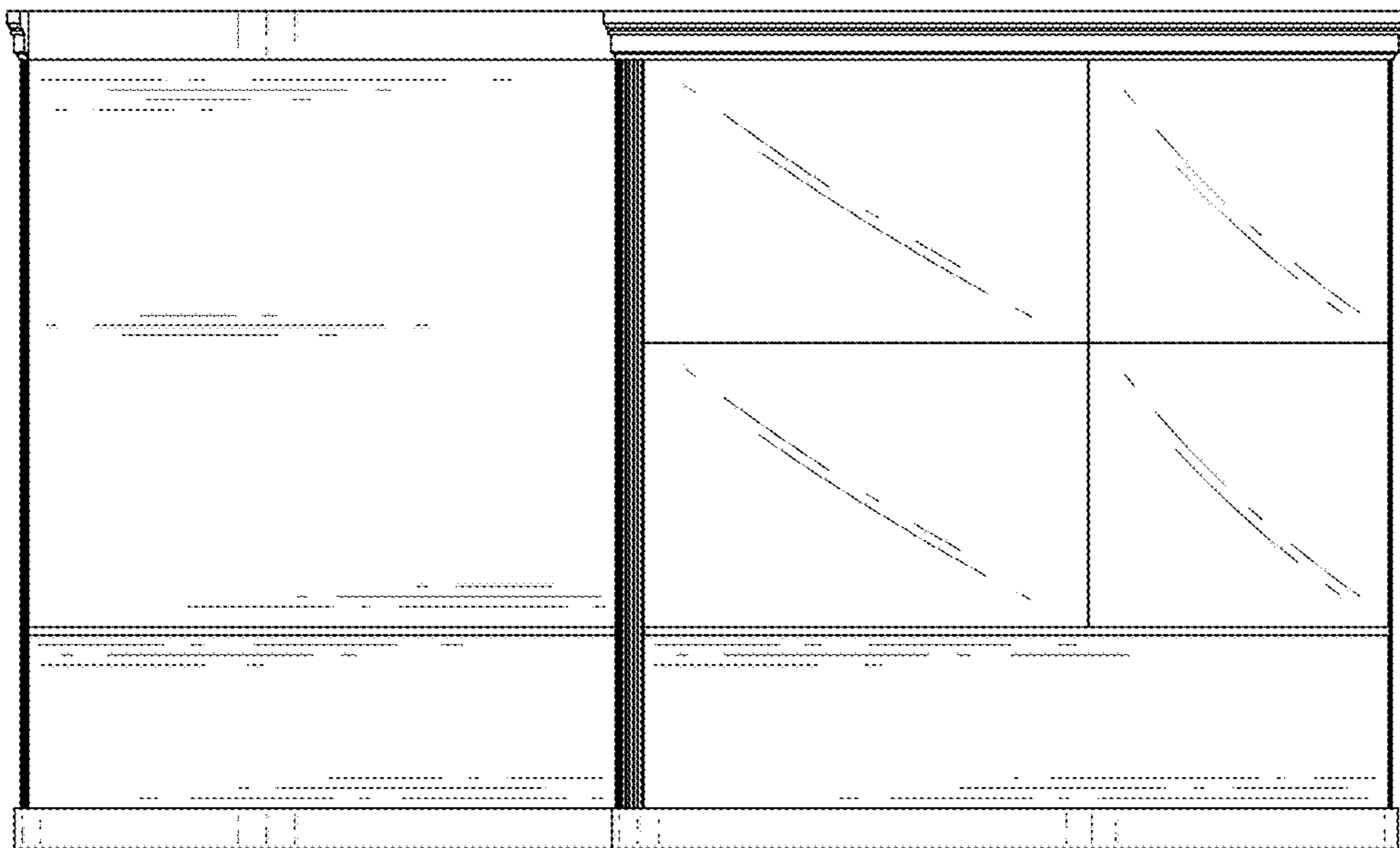
1.1



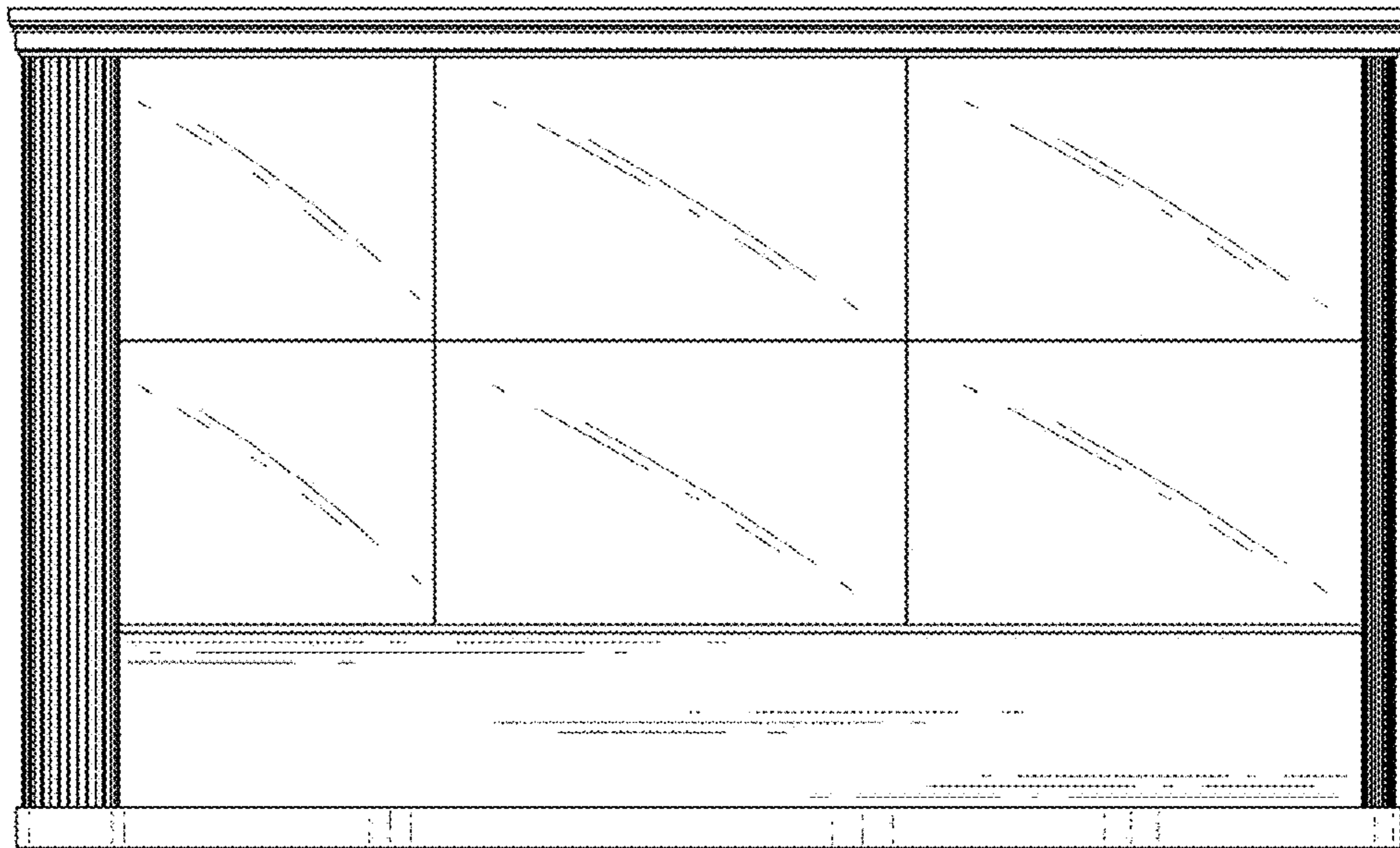
1.2



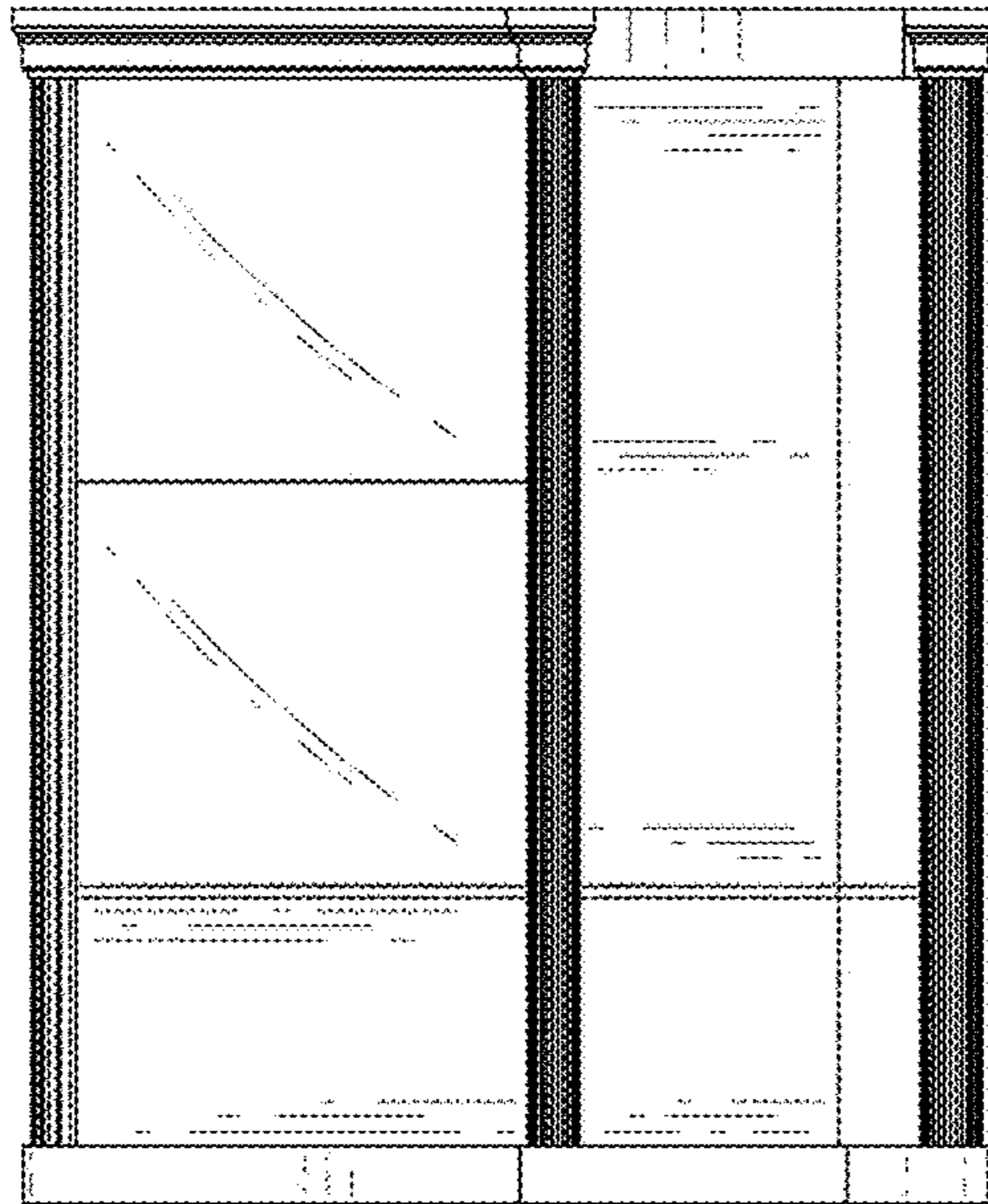
1.3



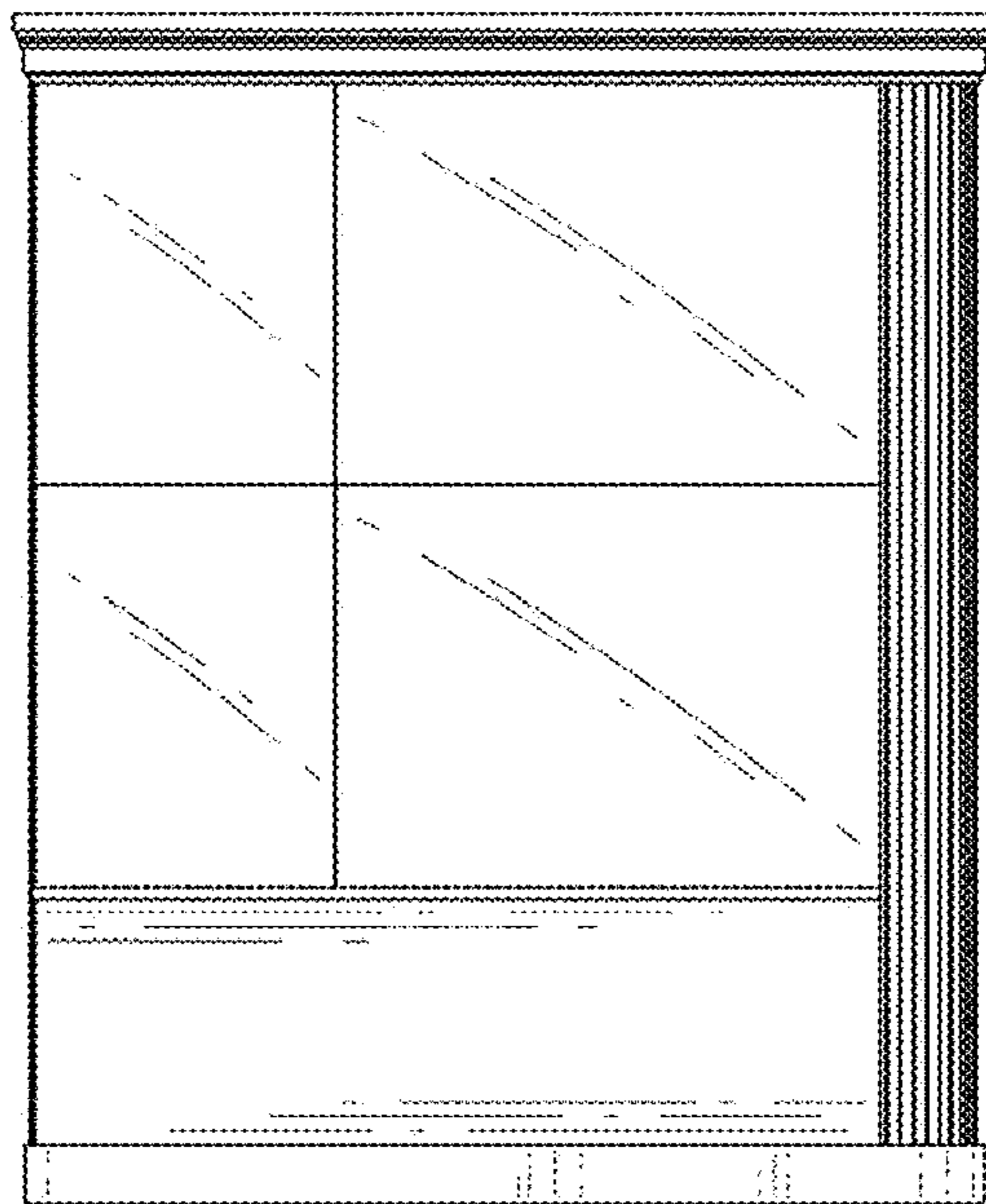
1.4



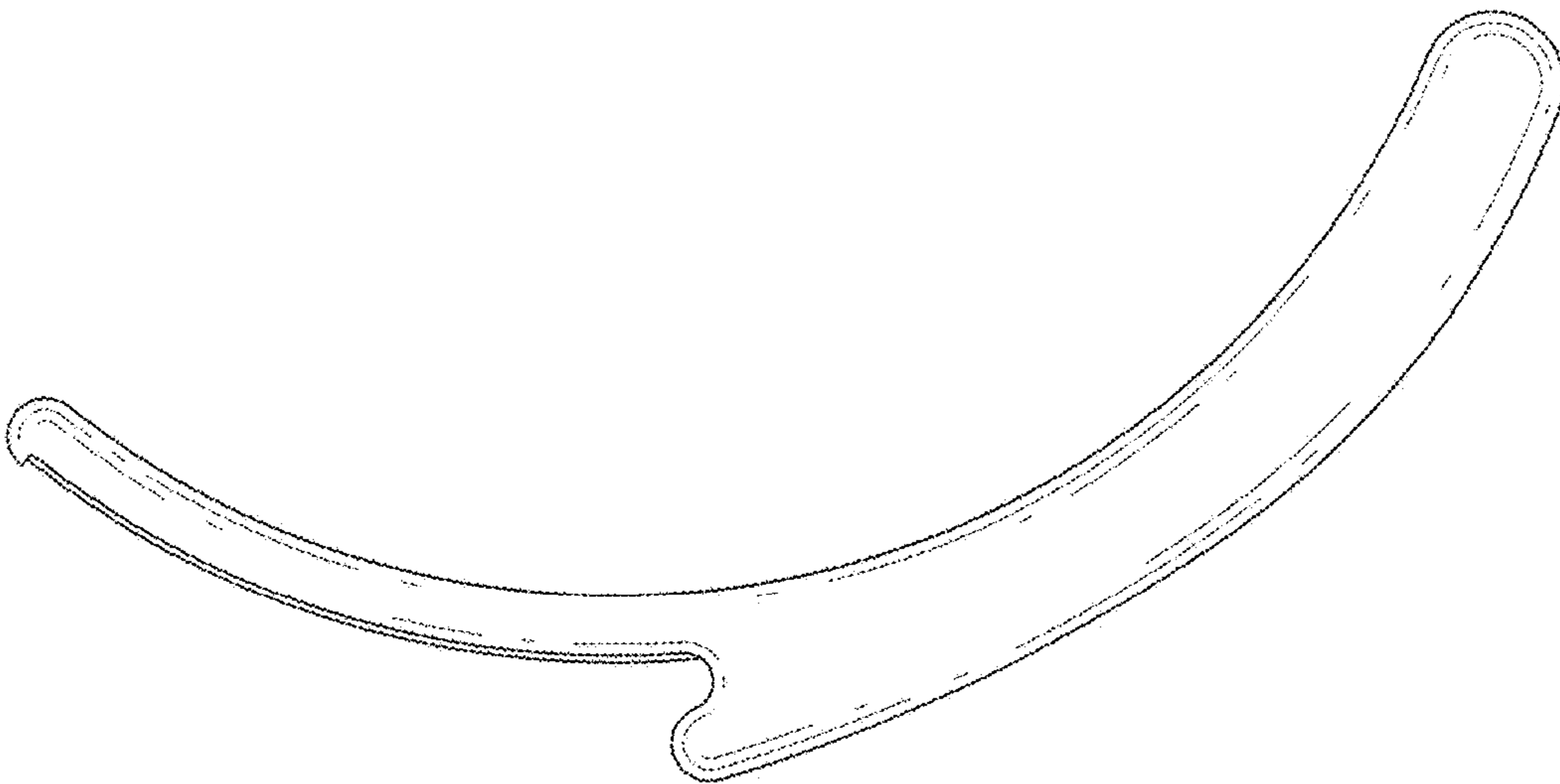
1.5



1.6



1.7



1.8

