



US00D849138S

(12) **United States Design Patent**  
**Geiger**

(10) **Patent No.:** **US D849,138 S**

(45) **Date of Patent:** **\*\* May 21, 2019**

(54) **WRITING INSTRUMENT**

(71) Applicant: **STAEDTLER MARS GMBH & CO.**  
**KG, Nürnberg (DE)**

(72) Inventor: **Gabriele Geiger, Nürnberg (DE)**

(\*\*) Term: **15 Years**

(21) Appl. No.: **35/504,301**

(22) Filed: **Jul. 12, 2017**

(80) **Hague Agreement Data**

Int. Filing Date: **Jul. 12, 2017**

Int. Reg. No.: **DM/097087**

Int. Reg. Date: **Jul. 12, 2017**

Int. Reg. Pub. Date: **Jan. 12, 2018**

(51) **LOC (11) Cl.** ..... **19-06**

(52) **U.S. Cl.**  
USPC ..... **D19/171**

(58) **Field of Classification Search**  
USPC ..... D19/115-204; D14/411  
CPC ..... B43K 24/03; B43K 23/12; B43K 23/001;  
G09B 5/04; G06F 3/03545  
See application file for complete search history.

(56) **References Cited**

**U.S. PATENT DOCUMENTS**

D489,403 S \* 5/2004 Lin ..... D19/164  
D580,489 S \* 11/2008 Ma ..... D19/117

D667,876 S \* 9/2012 Xie ..... D19/163  
D669,124 S \* 10/2012 Jiang ..... D19/163  
D672,815 S \* 12/2012 Li ..... D19/176  
D700,657 S \* 3/2014 Schweig ..... D19/170  
D701,267 S \* 3/2014 Schweig ..... D19/170  
D701,268 S \* 3/2014 Schweig ..... D19/170  
D765,782 S \* 9/2016 Ehrlich ..... D19/164  
D781,958 S \* 3/2017 Ehrlich ..... D19/195  
D828,448 S \* 9/2018 Hung ..... D19/163

\* cited by examiner

*Primary Examiner* — Khawaja Anwar

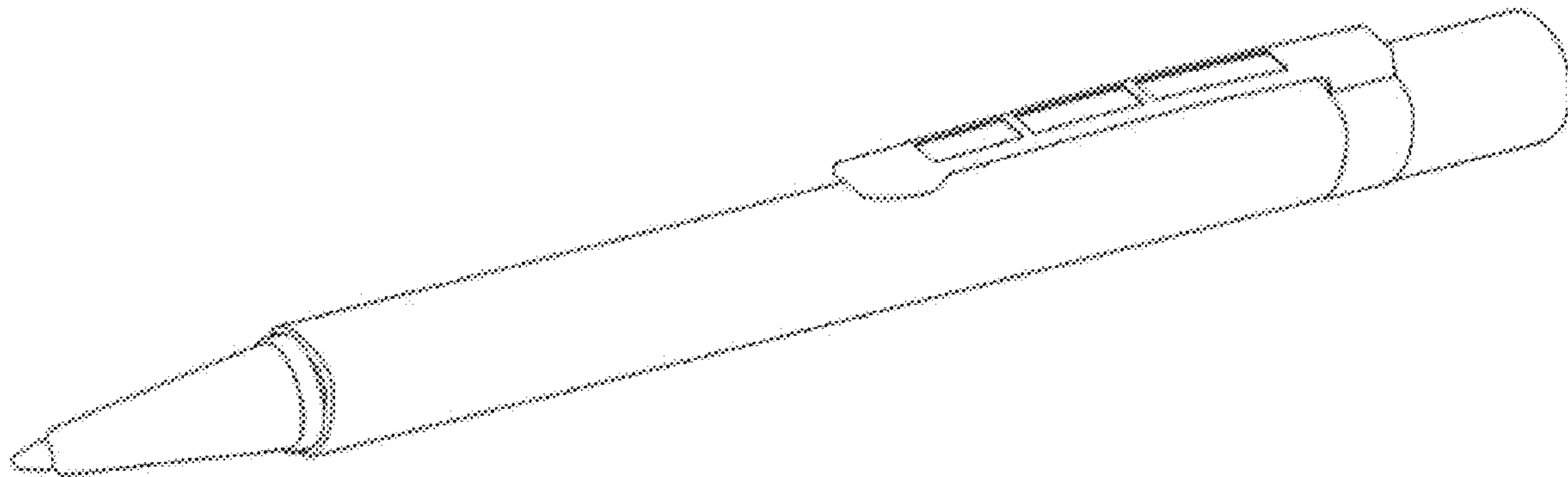
(57) **CLAIM**

The ornamental design for a writing instrument, as shown and described.

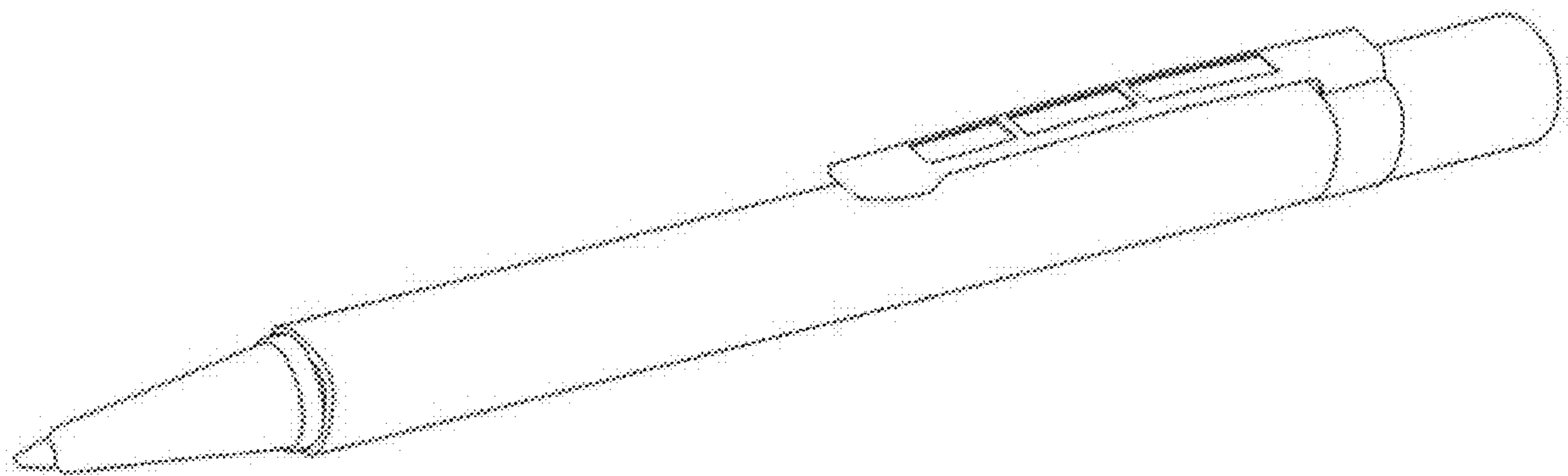
**DESCRIPTION**

- 1. Writing instrument
- 1.1. Writing instrument;
- 1.2. Writing instrument;
- 1.3. Writing instrument;
- 1.4. Writing instrument;
- 1.5. Writing instrument;
- 1.6. Writing instrument;
- 1.7. Writing instrument.

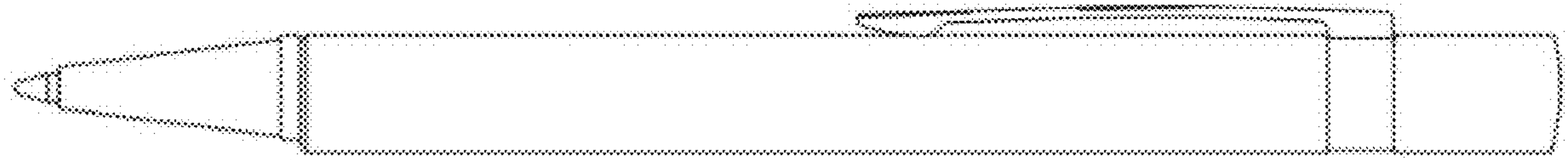
**1 Claim, 7 Drawing Sheets**



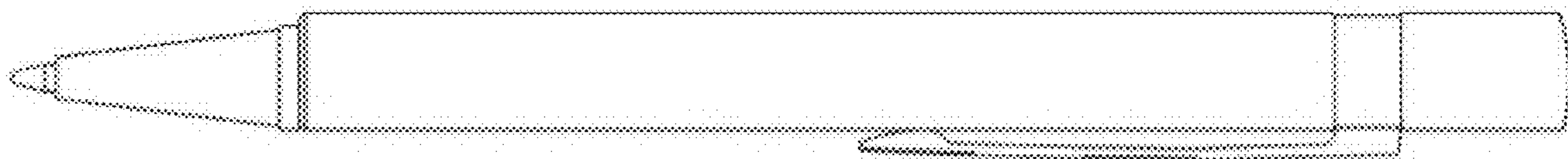
**1.1**



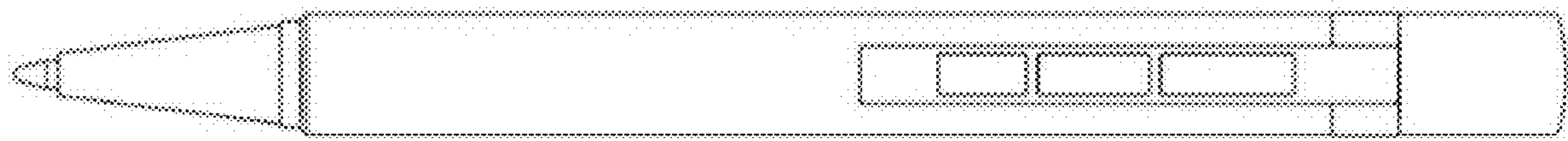
**1.2**



**1.3**



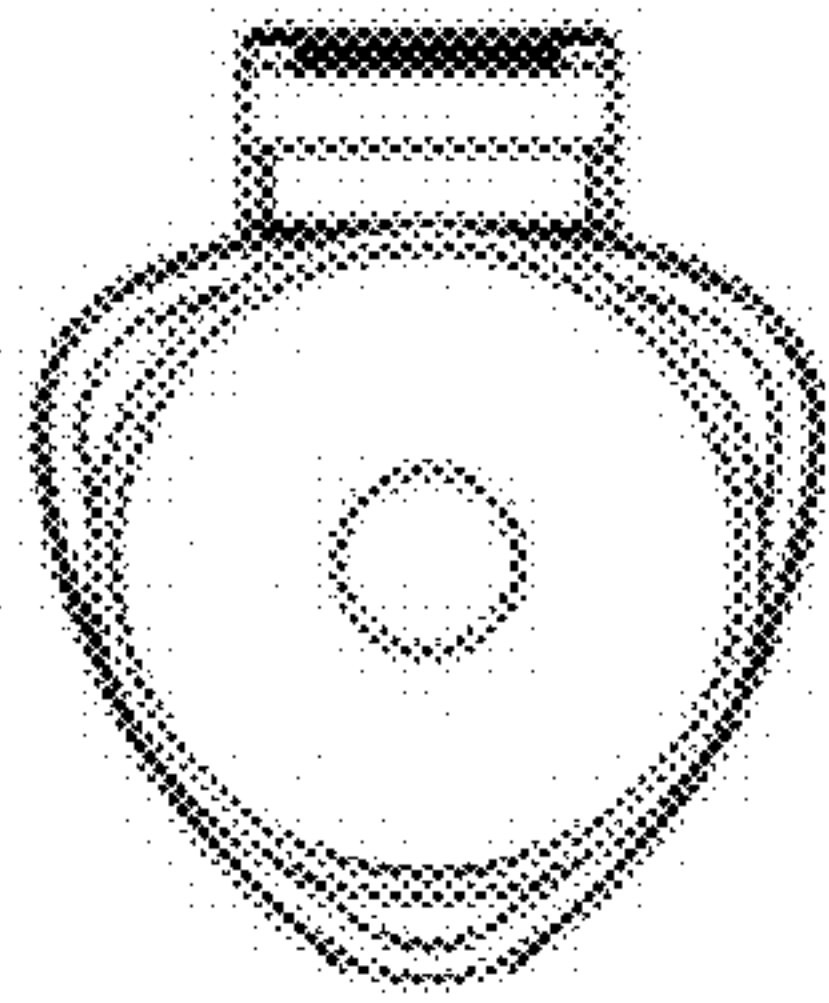
1.4



1.5



**1.6**



**1.7**

