

US00D849137S

(12) **United States Design Patent**  
**Koreska**

(10) **Patent No.:** **US D849,137 S**

(45) **Date of Patent:** **\*\* May 21, 2019**

(54) **PENCIL SHARPENER**

(71) Applicant: **KORES HOLDING ZUG AG, Zug**  
(CH)

(72) Inventor: **Clemens Koreska, Vienna (AT)**

(\*\*) Term: **15 Years**

(21) Appl. No.: **35/503,838**

(22) Filed: **Oct. 6, 2017**

(80) **Hague Agreement Data**

Int. Filing Date: **Oct. 6, 2017**

Int. Reg. No.: **DM/097961**

Int. Reg. Date: **Oct. 6, 2017**

Int. Reg. Pub. Date: **Oct. 20, 2017**

(51) **LOC (11) Cl.** ..... **19-06**

(52) **U.S. Cl.**  
USPC ..... **D19/73**

(58) **Field of Classification Search**  
USPC ..... D19/72-74; D8/91, 93, 98-100  
CPC ..... B43L 23/00; B43L 23/002; B43L 23/006;  
B43L 23/008; B43L 23/02; B43L 23/04;  
B43L 23/06; B43L 23/08; B43L 23/085  
See application file for complete search history.

(56) **References Cited**

**U.S. PATENT DOCUMENTS**

- 1,479,921 A \* 1/1924 Miller ..... B43L 23/08  
30/289
- 1,520,338 A \* 12/1924 Dornseif ..... B43L 23/08  
30/457
- D146,197 S \* 1/1947 Staab ..... D19/73
- 3,221,709 A \* 12/1965 Racaj Montemayor .....  
B43L 23/08  
30/457

- 4,506,716 A \* 3/1985 Hayashi ..... B43L 23/08  
30/457
- 5,167,071 A \* 12/1992 Eisen ..... B43L 23/08  
30/452
- D402,314 S \* 12/1998 Lidle, Jr. .... D19/73
- D411,236 S \* 6/1999 Maldonado ..... D19/194
- D420,390 S \* 2/2000 Donaldson ..... D19/73
- D431,263 S \* 9/2000 Greenhouse ..... D19/73
- D460,116 S \* 7/2002 Gstalder ..... D19/73
- D461,206 S \* 8/2002 Gstalder ..... D19/73
- D469,809 S \* 2/2003 Gstalder ..... D19/73
- D470,183 S \* 2/2003 Gstalder ..... D19/73
- D477,847 S \* 7/2003 Gosse ..... D19/73
- D494,222 S \* 8/2004 Berry ..... D19/73
- 7,523,557 B2 \* 4/2009 Smith ..... B43L 23/08  
30/451

\* cited by examiner

*Primary Examiner* — Elizabeth A. Albert

(57) **CLAIM**

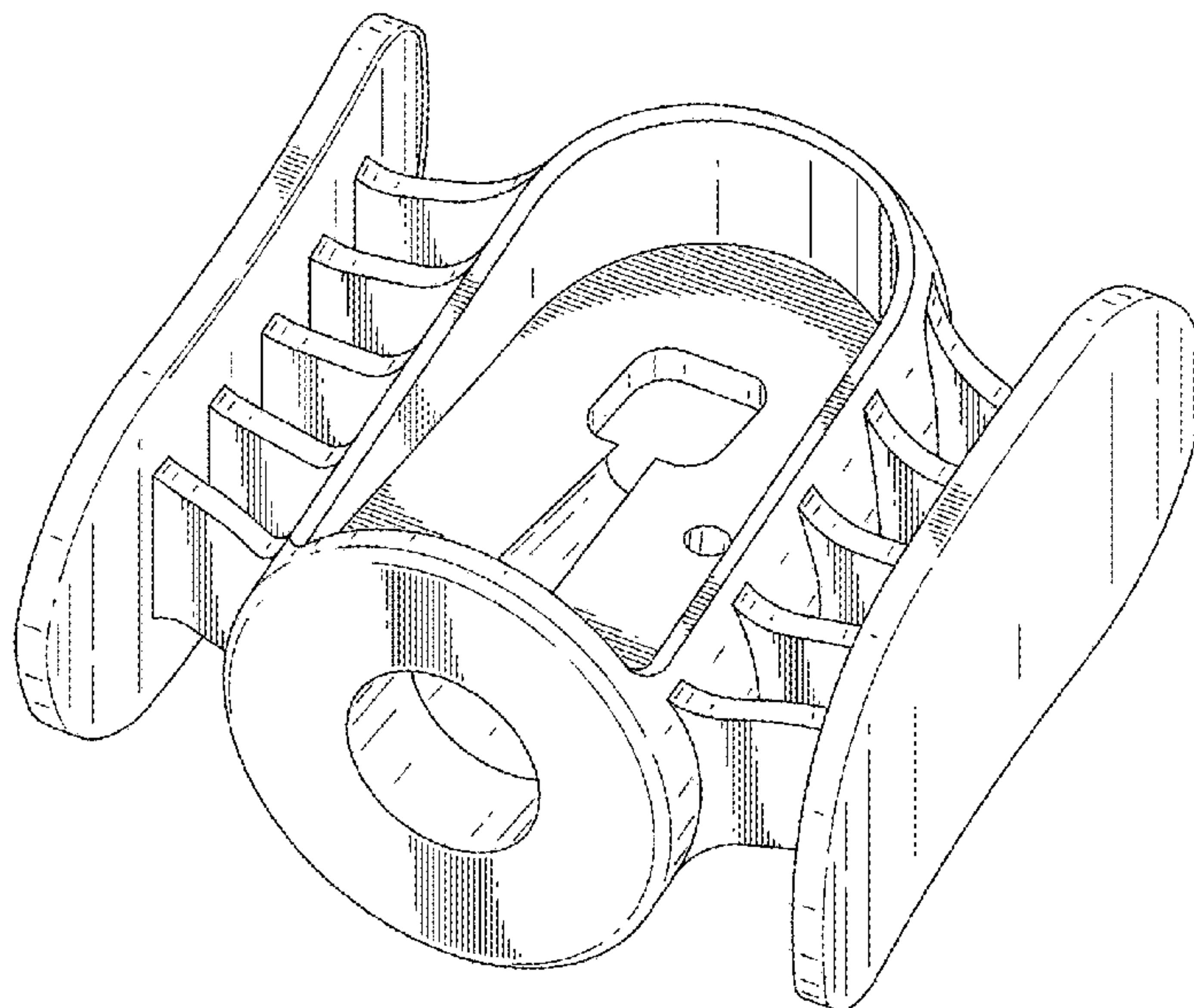
The ornamental design for a pencil sharpener, as shown and described.

**DESCRIPTION**

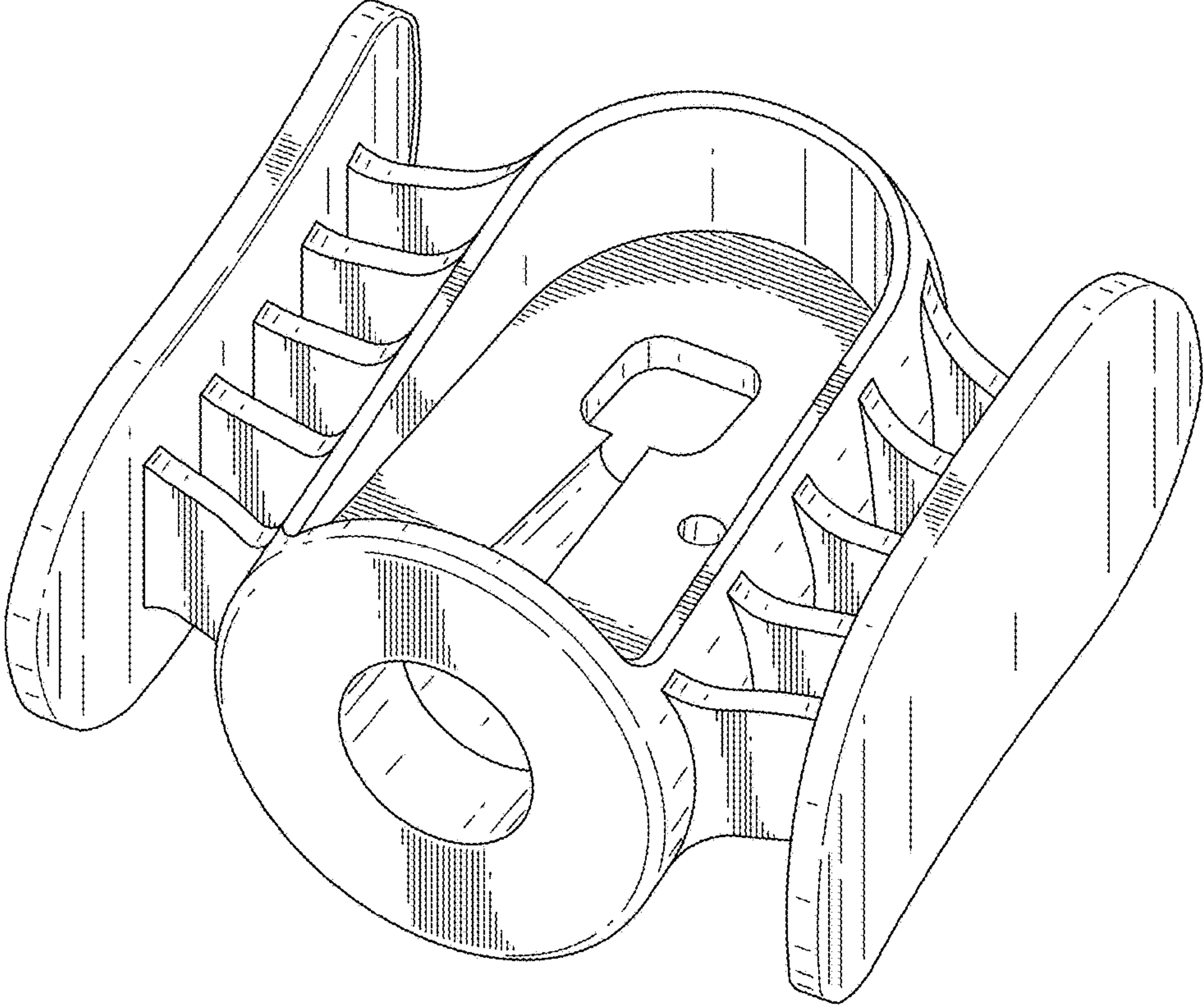
- 1. Pencil sharpener
- 1.1 : Perspective
- 1.2 : Top
- 1.3 : Perspective
- 1.4 : Bottom
- 1.5 : Front
- 1.6 : Left

The pencil sharpener consists of a cylindrical body, which is round on one end and flat on the other end, where a pencil can be inserted; two wing-like surfaces are attached on each side of the sharpener, which are held in place by five connecting parts per side.

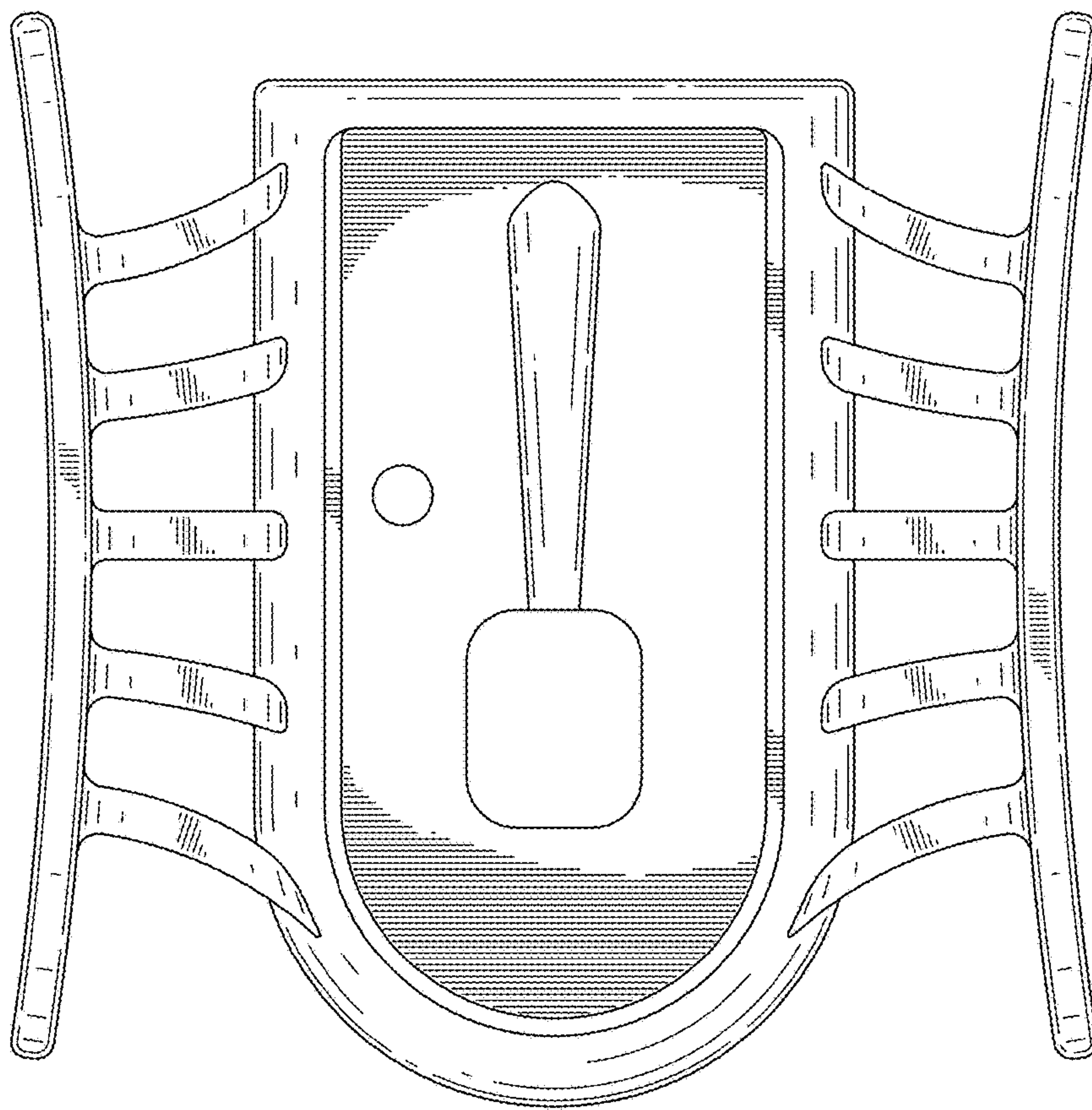
**1 Claim, 6 Drawing Sheets**



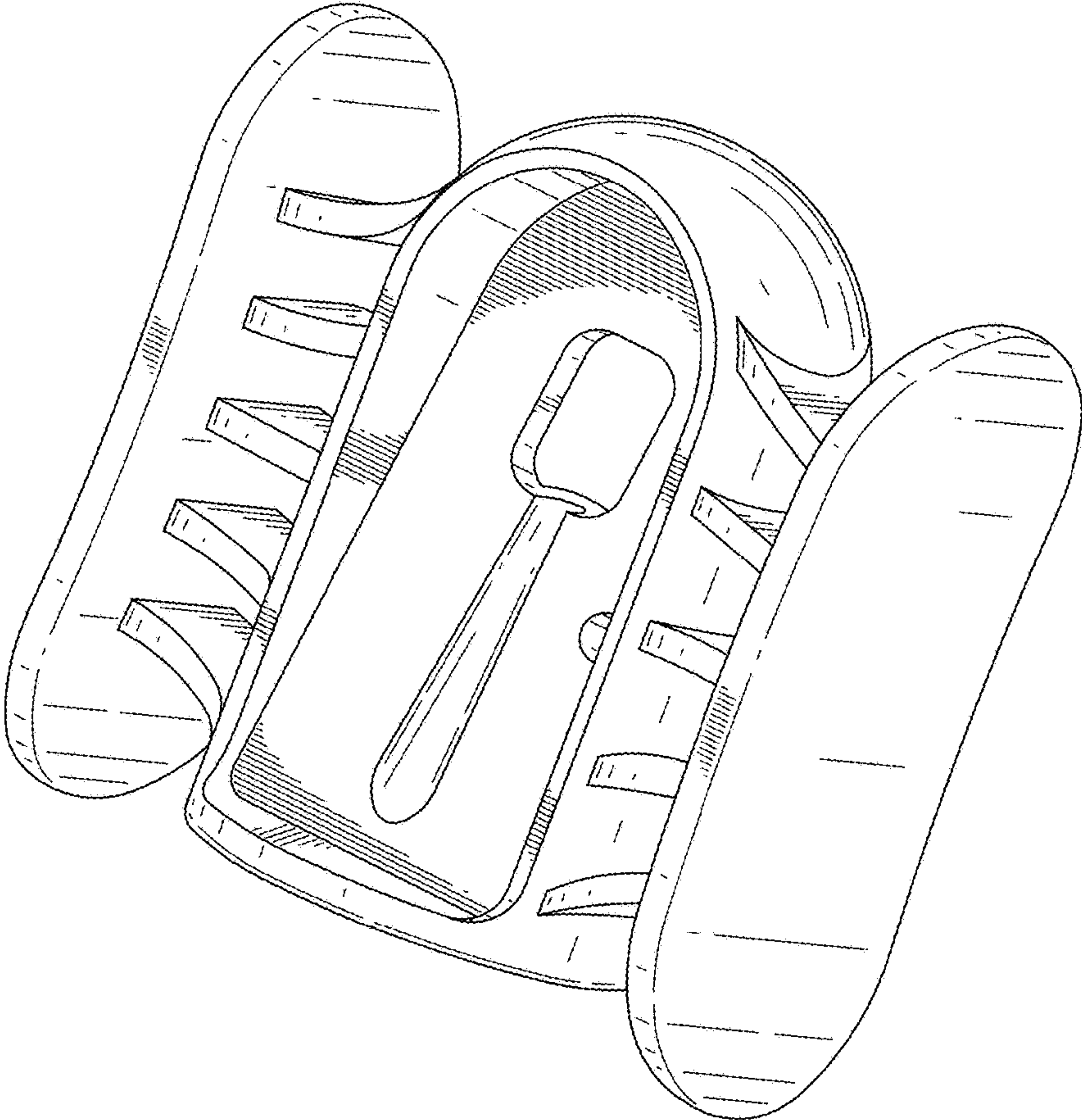
1.1



1.2

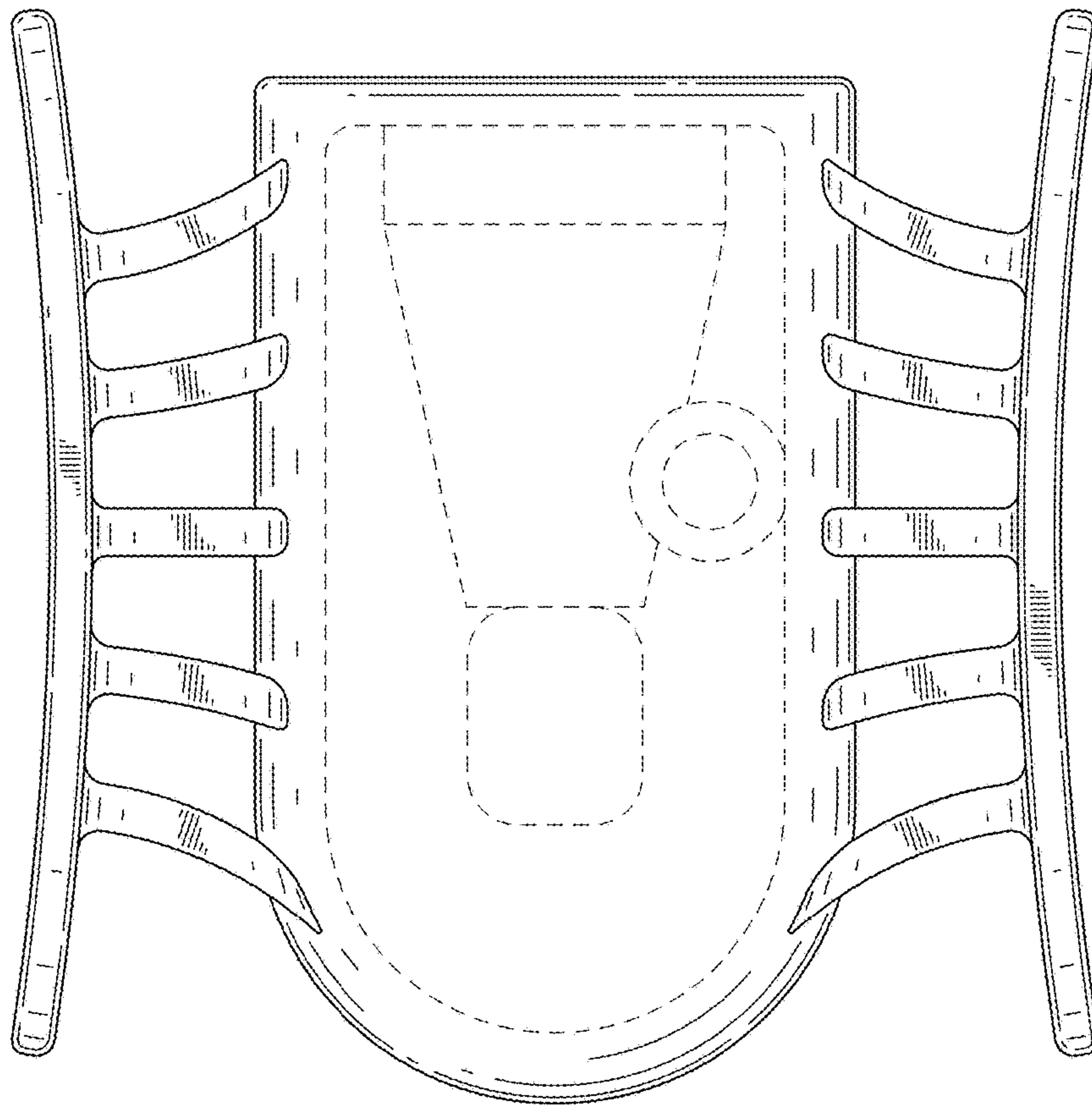


1.3

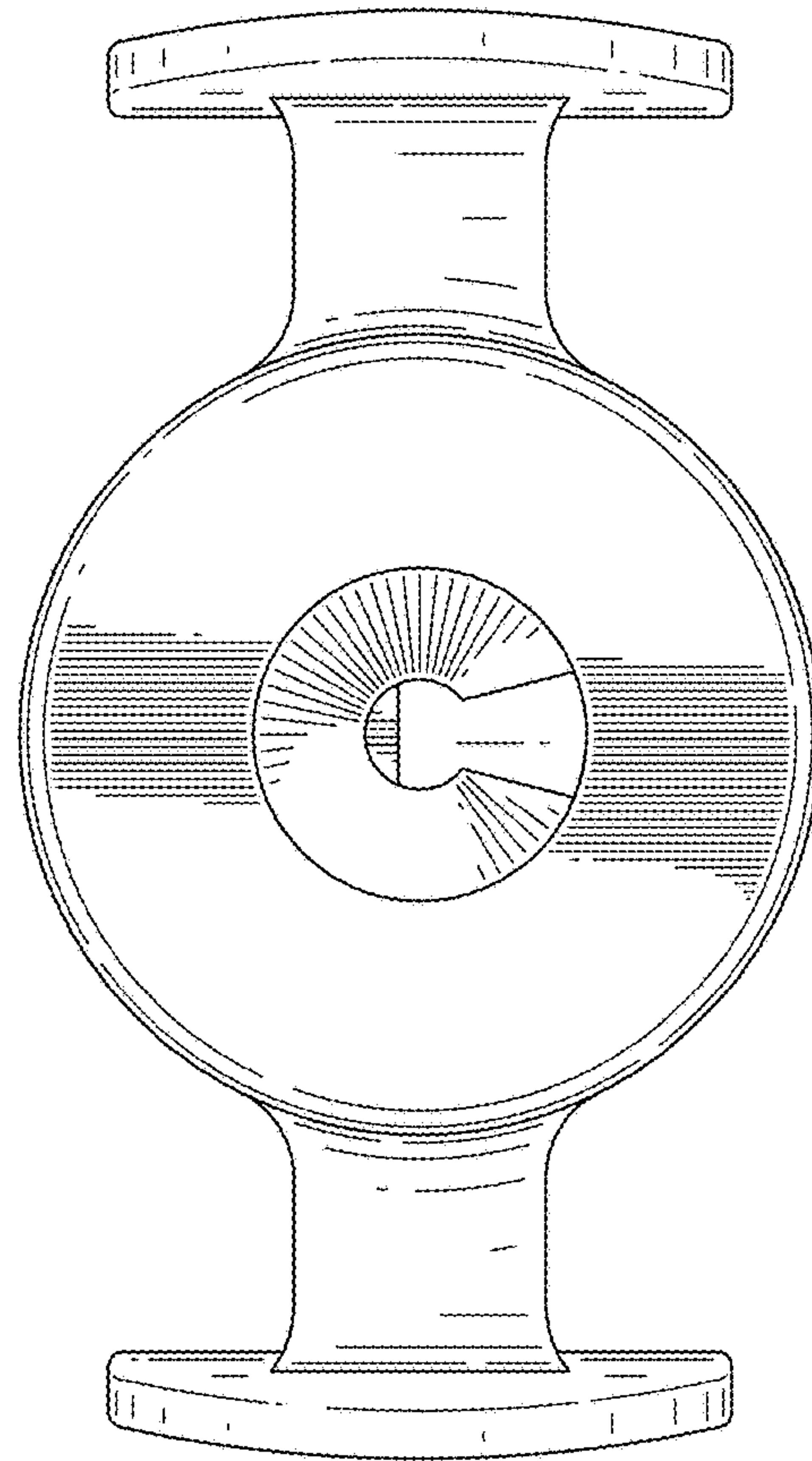




1.4



1.5



1.6

