

US00D849135S

(12) **United States Design Patent**
Jeong

(10) **Patent No.:** **US D849,135 S**

(45) **Date of Patent:** **** May 21, 2019**

(54) **PAPER CARTRIDGE FOR PRINTER**

(71) Applicant: **Mangoslab Co., Ltd.**, Seongnam-si,
Gyeonggi-do (KR)

(72) Inventor: **Yong Soo Jeong**, Suwon-si (KR)

(73) Assignee: **MANGOSLAB CO., LTD.**,
Seongnam-Si, Gyeonggi-Do (KR)

(**) Term: **15 Years**

(21) Appl. No.: **29/619,606**

(22) Filed: **Sep. 29, 2017**

(30) **Foreign Application Priority Data**

May 17, 2017 (KR) 30-2017-0022248

(51) **LOC (11) Cl.** **18-02**

(52) **U.S. Cl.**
USPC **D18/56; D18/43**

(58) **Field of Classification Search**
USPC D18/56, 18, 40, 43-44, 58, 99, 12
CPC . B41J 2/17; B41J 2/1721; B41J 2/1572; B41J
2/1574; B41J 15/044
See application file for complete search history.

(56) **References Cited**

U.S. PATENT DOCUMENTS

D379,194 S * 5/1997 Sundquist D18/40
D524,366 S * 7/2006 Arai 347/86
D525,297 S * 7/2006 Okuchi D18/56
D552,171 S * 10/2007 Motoki 347/86

D559,902 S * 1/2008 Park D18/56
D712,459 S * 9/2014 Koshimori D18/43
D726,815 S * 4/2015 Tanaka D18/56
D733,796 S * 7/2015 Yamazaki D18/56
D755,890 S * 5/2016 Pender D18/56
D757,172 S * 5/2016 Tanaka D18/56
2002/0093570 A1 * 7/2002 Silverbrook B41J 2/16552
348/207.99
2003/0063180 A1 * 4/2003 Silverbrook B26D 1/185
347/152
2018/0134049 A1 * 5/2018 Jeong B41J 3/4075

* cited by examiner

Primary Examiner — Robin V Webster

Assistant Examiner — J. Thorn, Sr.

(74) *Attorney, Agent, or Firm* — Dinsmore & Shohl LLP;
Yongsok Choi, Esq.

(57) **CLAIM**

The ornamental design for a paper cartridge for printer, as shown and described.

DESCRIPTION

FIG. 1 is a front view of a paper cartridge for printer showing my new design;
FIG. 2 is a rear view thereof;
FIG. 3 is a top plan view thereof;
FIG. 4 is a bottom view thereof;
FIG. 5 is a left side view thereof;
FIG. 6 is a right side view thereof; and,
FIG. 7 is a reference perspective view thereof.
The broken line representations in the figures show unclaimed environment, and thus form no part of the claimed design.

1 Claim, 7 Drawing Sheets

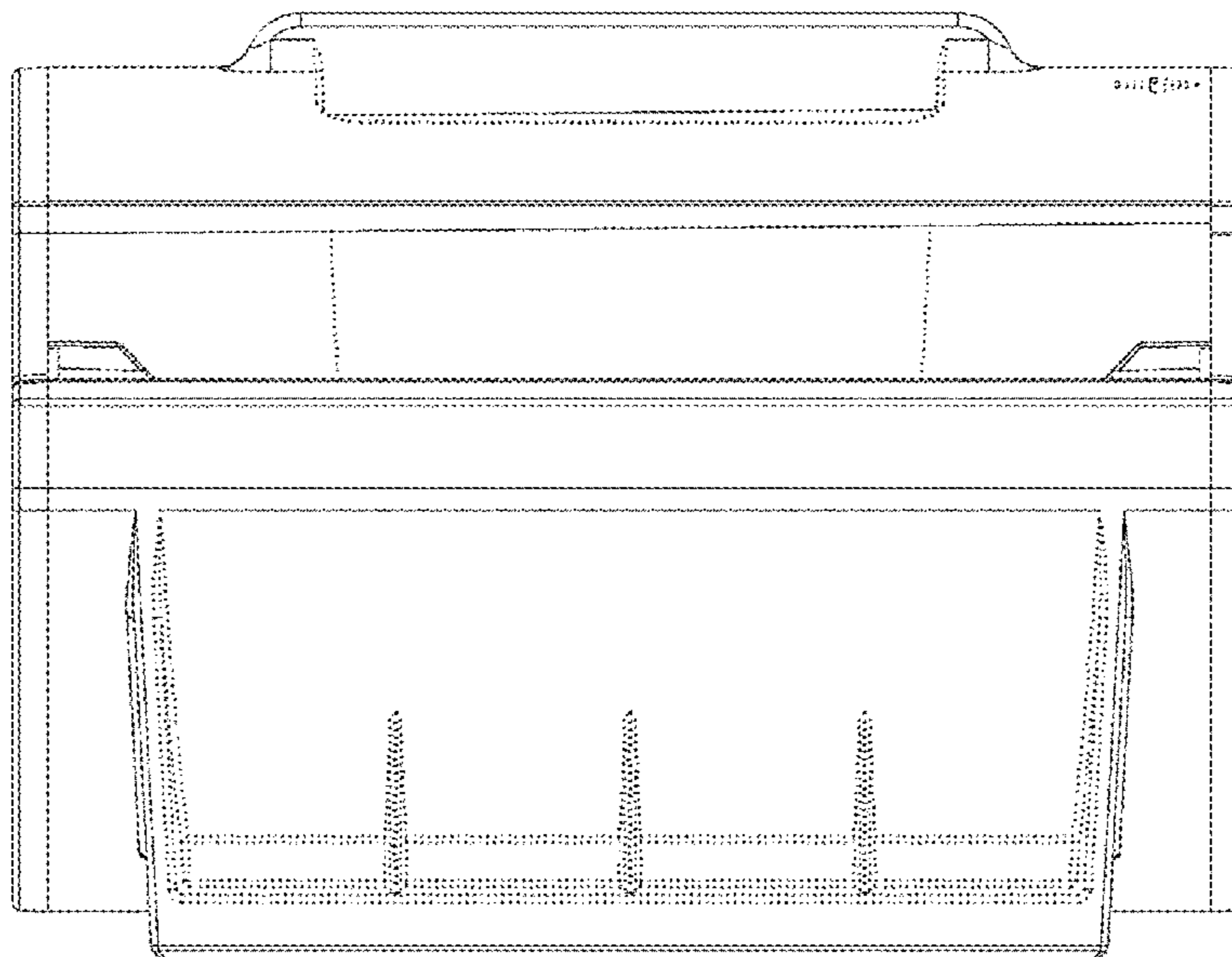


FIG. 1

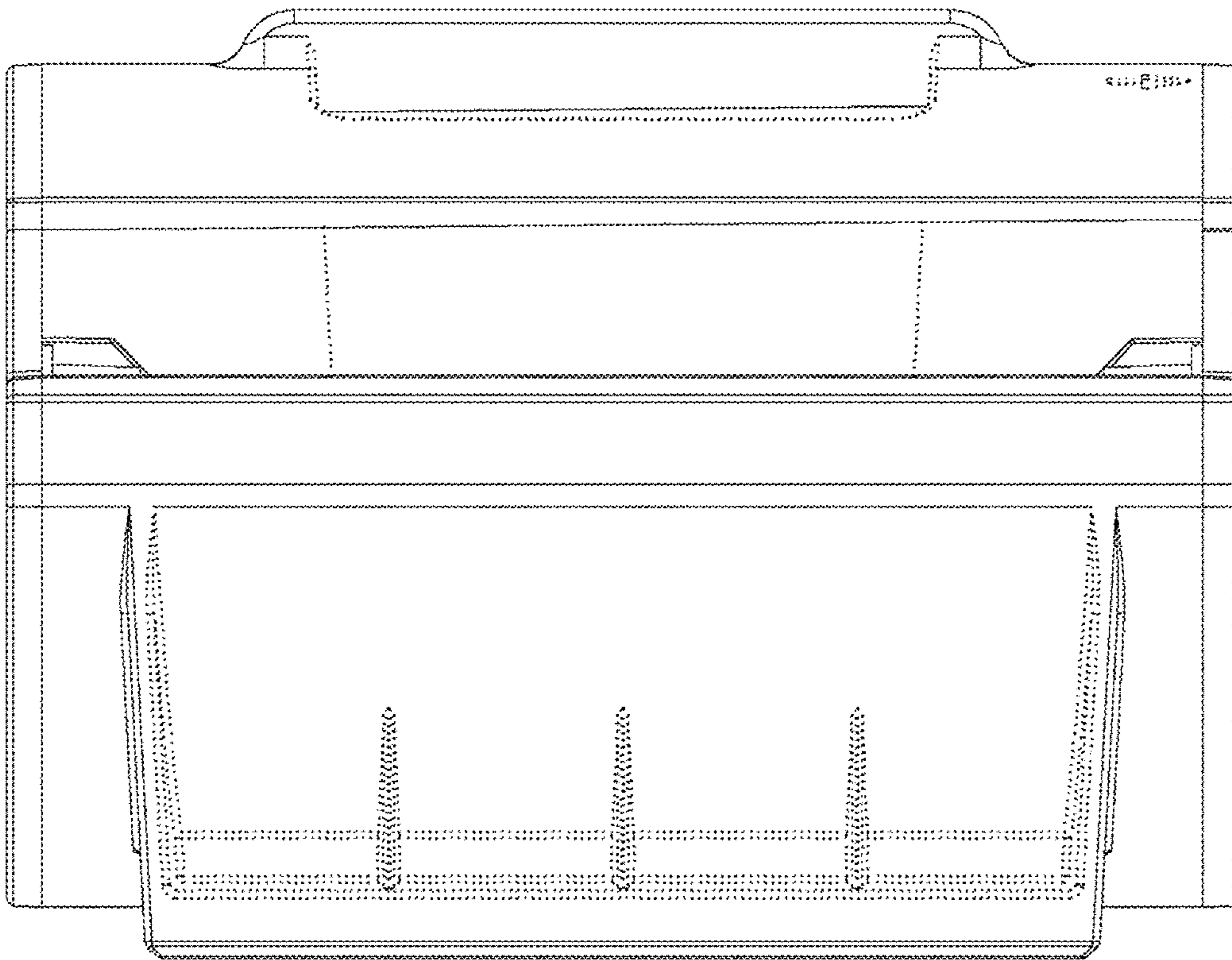


FIG. 2

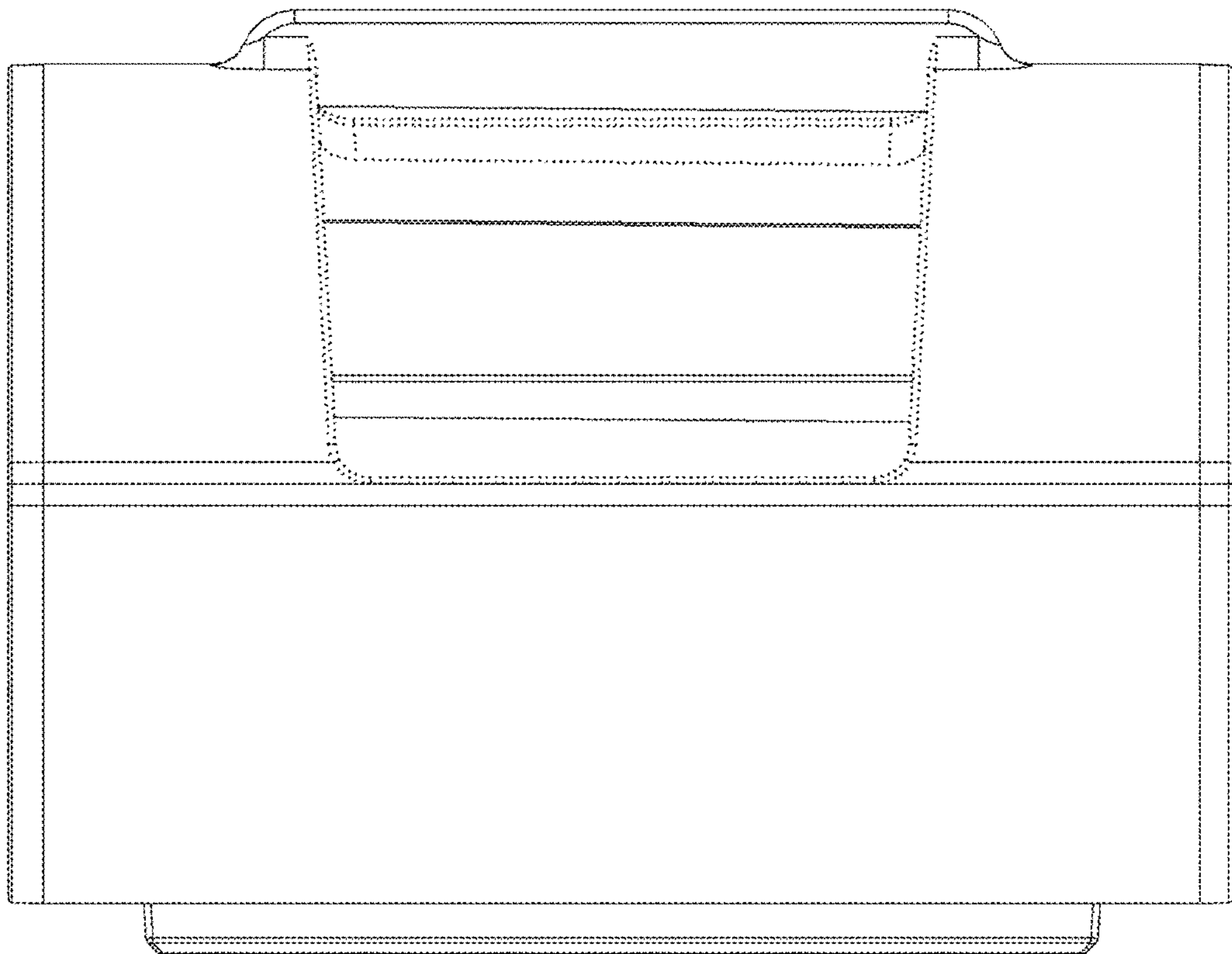


FIG. 3

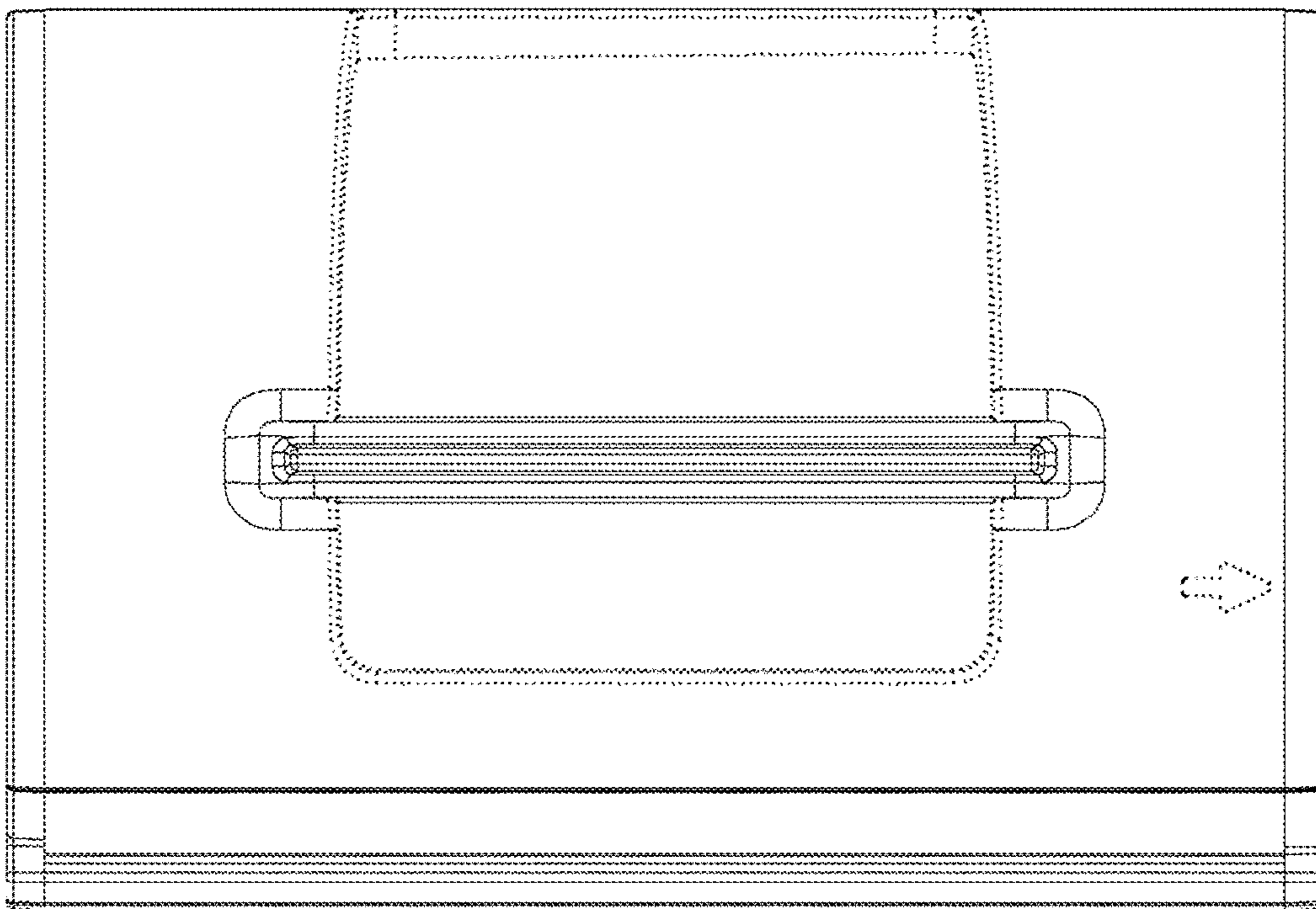


FIG. 4

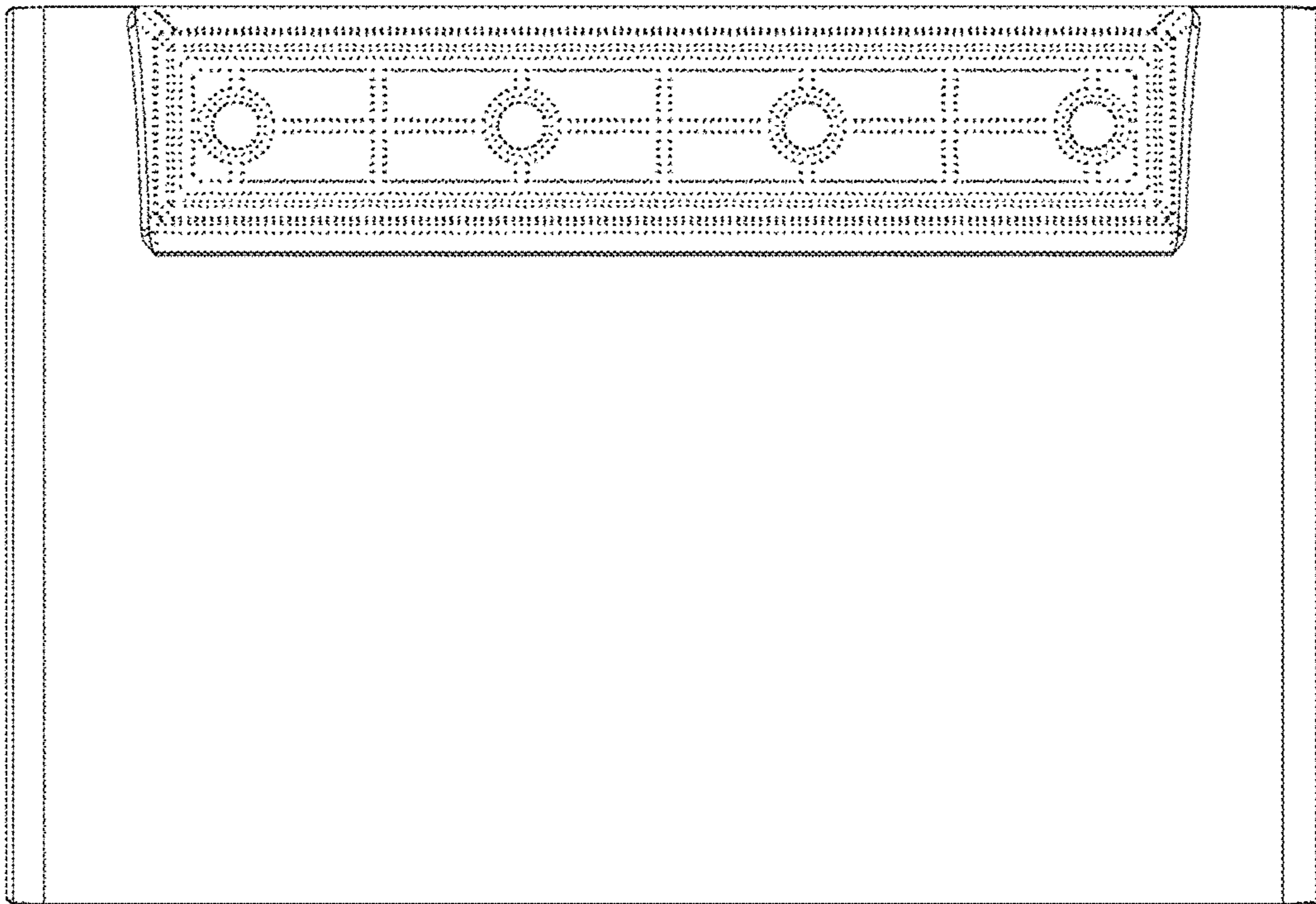


FIG. 5

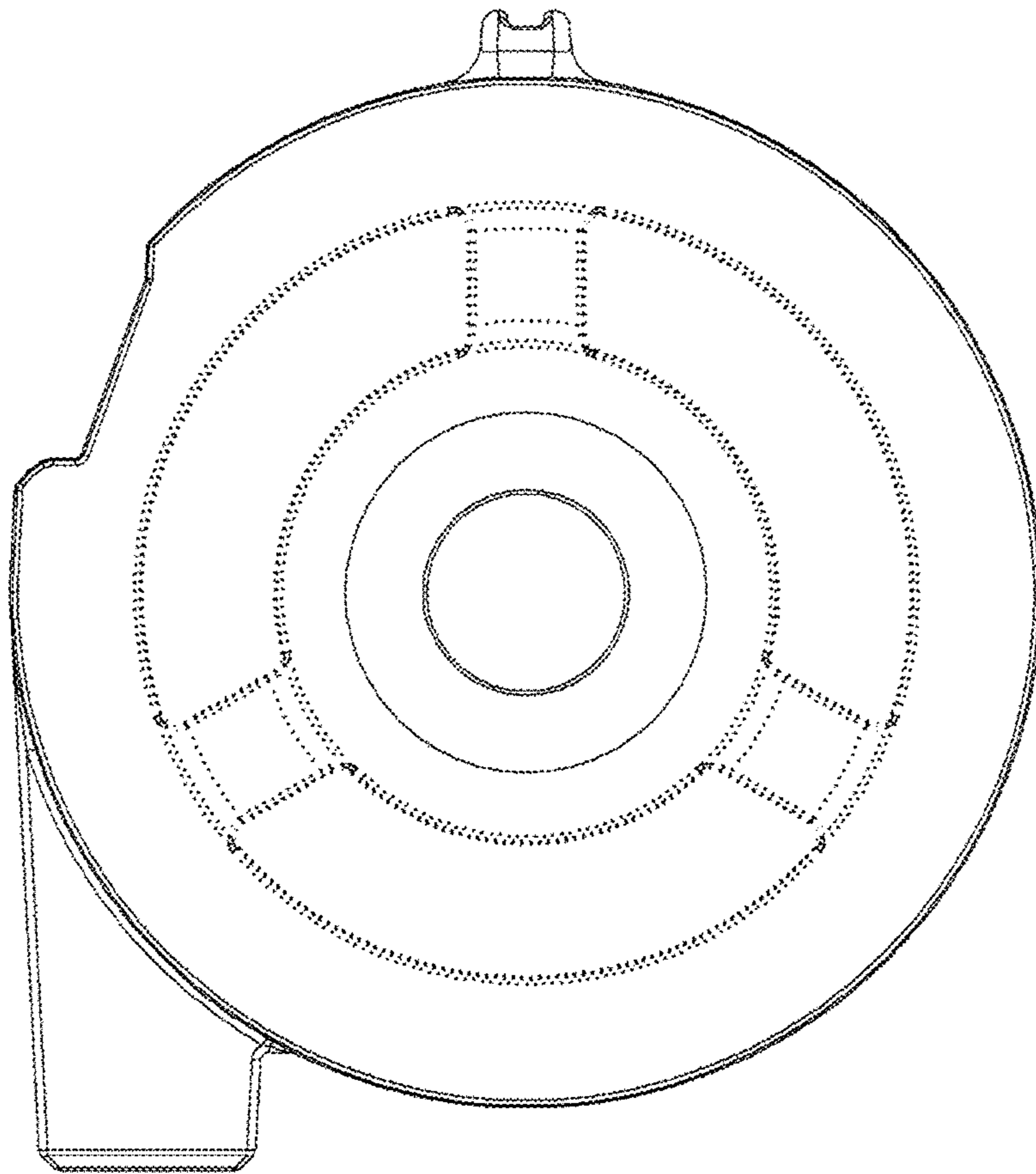


FIG. 6

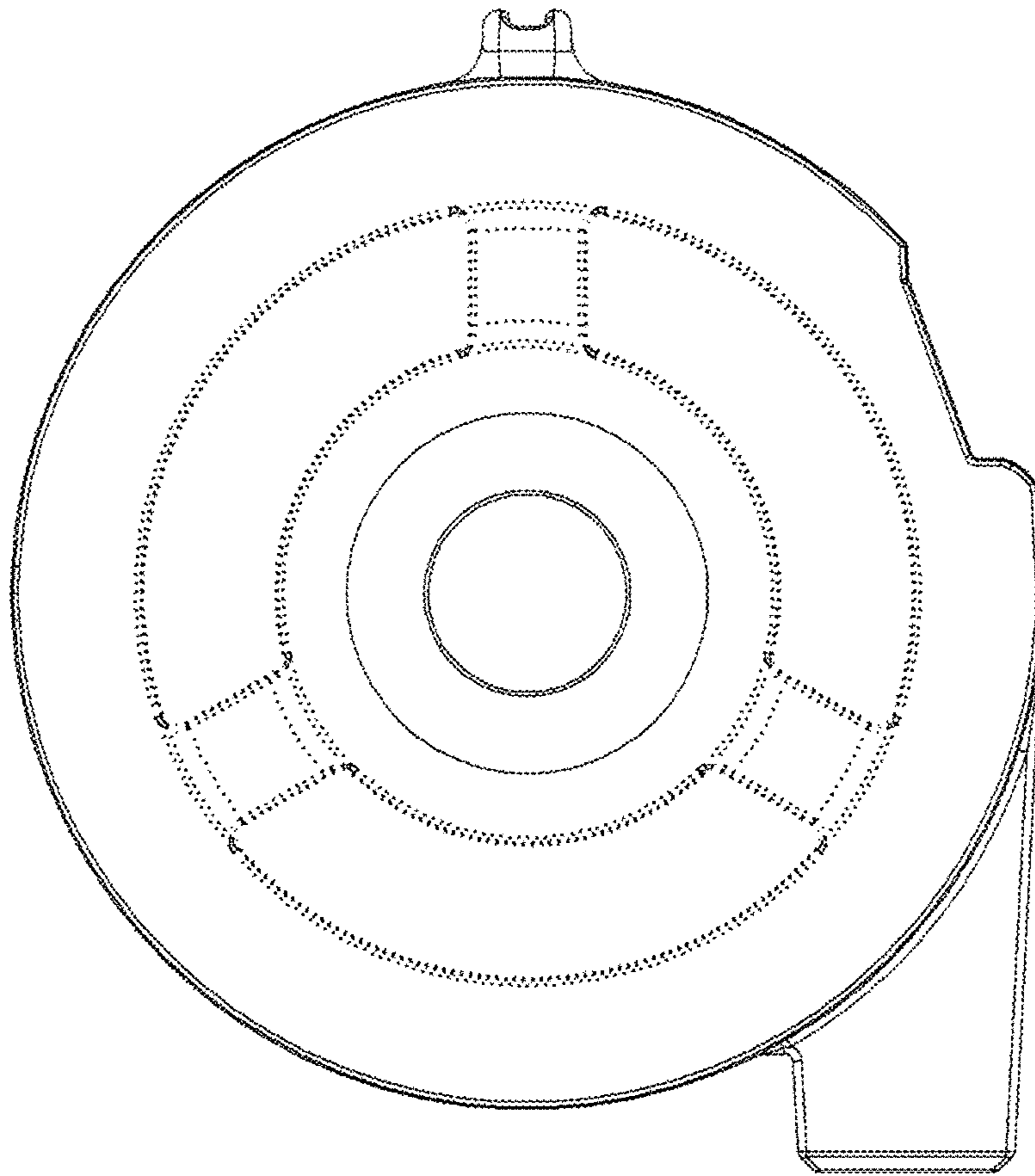


FIG. 7

