



US00D849134S

(12) **United States Design Patent** (10) **Patent No.:** **US D849,134 S**  
**Kimura et al.** (45) **Date of Patent:** **\*\* May 21, 2019**

(54) **OFFICE MACHINE**  
(71) Applicant: **XEROX CORPORATION**, Norwalk, CT (US)  
(72) Inventors: **Hidetoshi Kimura**, Kanagawa (JP); **Goro Kishi**, Kanagawa (JP)  
(73) Assignee: **Xerox Corporation**, Norwalk, CT (US)  
(\*\*) Term: **15 Years**

D678,403 S \* 3/2013 Seki ..... D18/50  
D689,543 S \* 9/2013 Seki ..... D18/50  
D697,966 S \* 1/2014 Fukasawa ..... D18/55  
D697,967 S \* 1/2014 Fukasawa ..... D18/55  
D698,389 S \* 1/2014 Fukasawa ..... D18/55  
D702,760 S \* 4/2014 Kim ..... D18/55  
D718,383 S \* 11/2014 Lo ..... D18/55  
D727,409 S \* 4/2015 Saito ..... D18/36  
D727,410 S \* 4/2015 Saito ..... D18/36  
D727,417 S \* 4/2015 Huang ..... D18/55  
D755,284 S \* 5/2016 Terenzio ..... D18/50  
D758,486 S \* 6/2016 Nakagawa ..... D18/55  
D765,080 S \* 8/2016 Su ..... D14/421

(Continued)

(21) Appl. No.: **29/551,834**

(22) Filed: **Jan. 18, 2016**

(51) **LOC (11) Cl.** ..... **18-02**

(52) **U.S. Cl.**  
USPC ..... **D18/55**

(58) **Field of Classification Search**  
USPC ..... D18/12, 14, 18, 19, 36, 37, 38, 39, 43,  
D18/50, 54, 54.1, 55, 56, 99; D14/420,  
D14/421, 422, 423, 424, 425, 462, 463,  
D14/464, 465, 466, 467, 668, 469, 470,  
D14/480.5, 483, 484  
CPC . B41J 31/16; B41J 32/02; B41J 19/202; B41J  
29/377; B41J 15/042; B41J 3/4075; B41J  
11/58; B41J 15/12; B41J 29/02; B41J  
17/00

See application file for complete search history.

(56) **References Cited**

**U.S. PATENT DOCUMENTS**

D374,454 S \* 10/1996 Naruki ..... D18/36  
D555,195 S \* 11/2007 Park ..... D18/55  
D558,824 S \* 1/2008 Alfonso ..... D18/55  
D574,886 S \* 8/2008 Mase ..... D18/55  
D575,330 S \* 8/2008 Egami ..... D18/55  
D579,973 S \* 11/2008 Park ..... D14/421  
D641,778 S \* 7/2011 Lee ..... D14/421  
D642,212 S \* 7/2011 Terenzio ..... D18/55  
D674,435 S \* 1/2013 Inoue ..... D18/55

**OTHER PUBLICATIONS**

WorkCentre 6515, [online], [site visited Jul. 29, 2017]. Available from Internet, <URL:http://www.office.xerox.com/multifunction-printer/color-multifunction/workcentre-6515/enus.html>.\*

(Continued)

*Primary Examiner* — Garth Rademaker  
*Assistant Examiner* — Katrina N Gonzalez

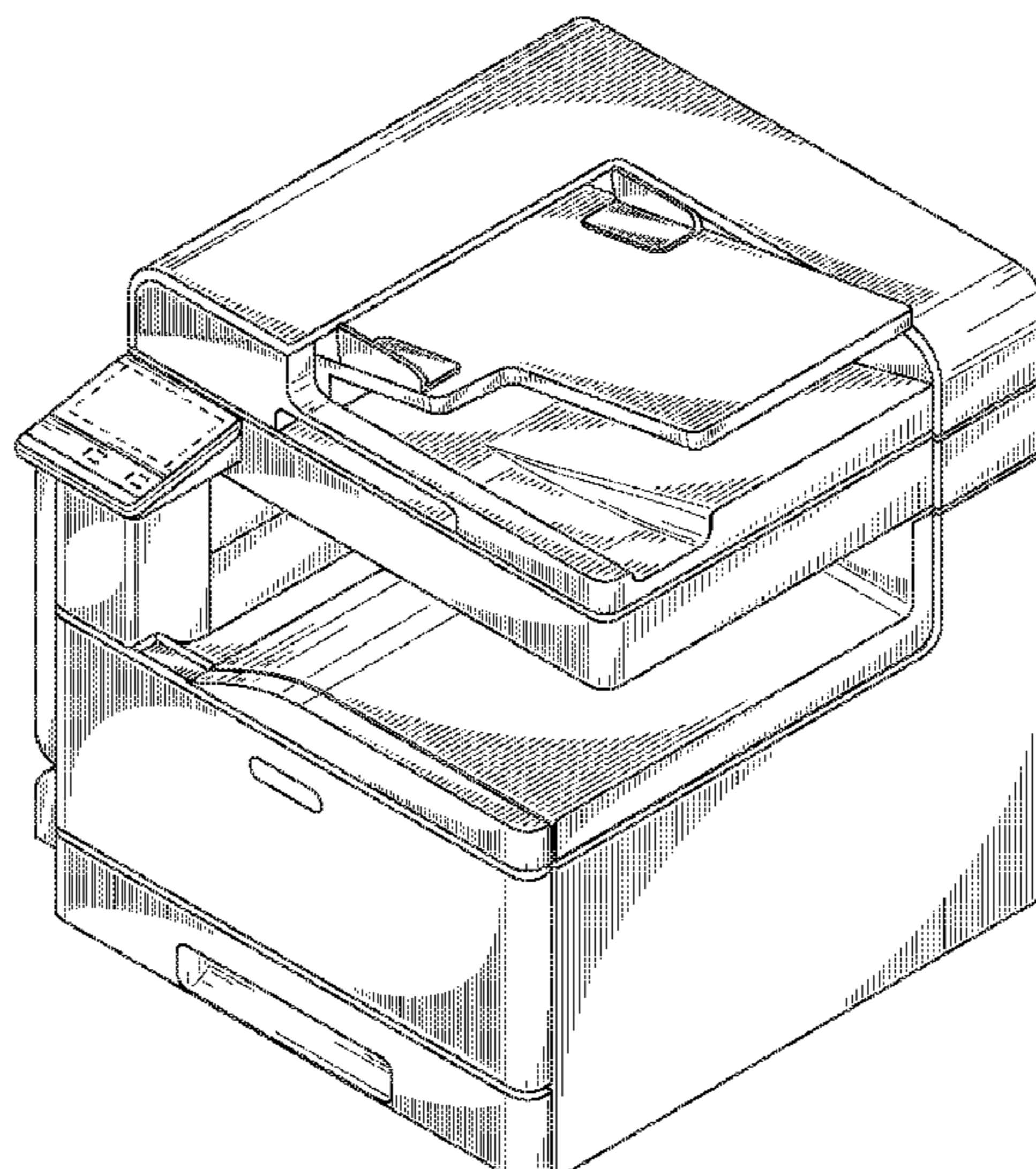
(57) **CLAIM**

The ornamental design for a office machine, as shown and described.

**DESCRIPTION**

FIG. 1 is a perspective view of a office machine in accordance with the present invention;  
FIG. 2 is a front view thereof;  
FIG. 3 is a rear view thereof;  
FIG. 4 is a left side view thereof;  
FIG. 5 is a right side view thereof;  
FIG. 6 is a top plan view thereof; and,  
FIG. 7 is a bottom plan view thereof.  
The broken lines depict parts of the article that form no part of the claimed design.

**1 Claim, 7 Drawing Sheets**



(56)

**References Cited**

U.S. PATENT DOCUMENTS

D769,965 S \* 10/2016 Clark, III ..... D18/55

OTHER PUBLICATIONS

Xerox VersaLink C7000 Color Printer, [online], [site visited Jul. 29, 2017]. Available from Internet, <URL:<http://www.office.xerox.com/printers/color-printers/versalink-c7000/enus.html>>.\*

\* cited by examiner

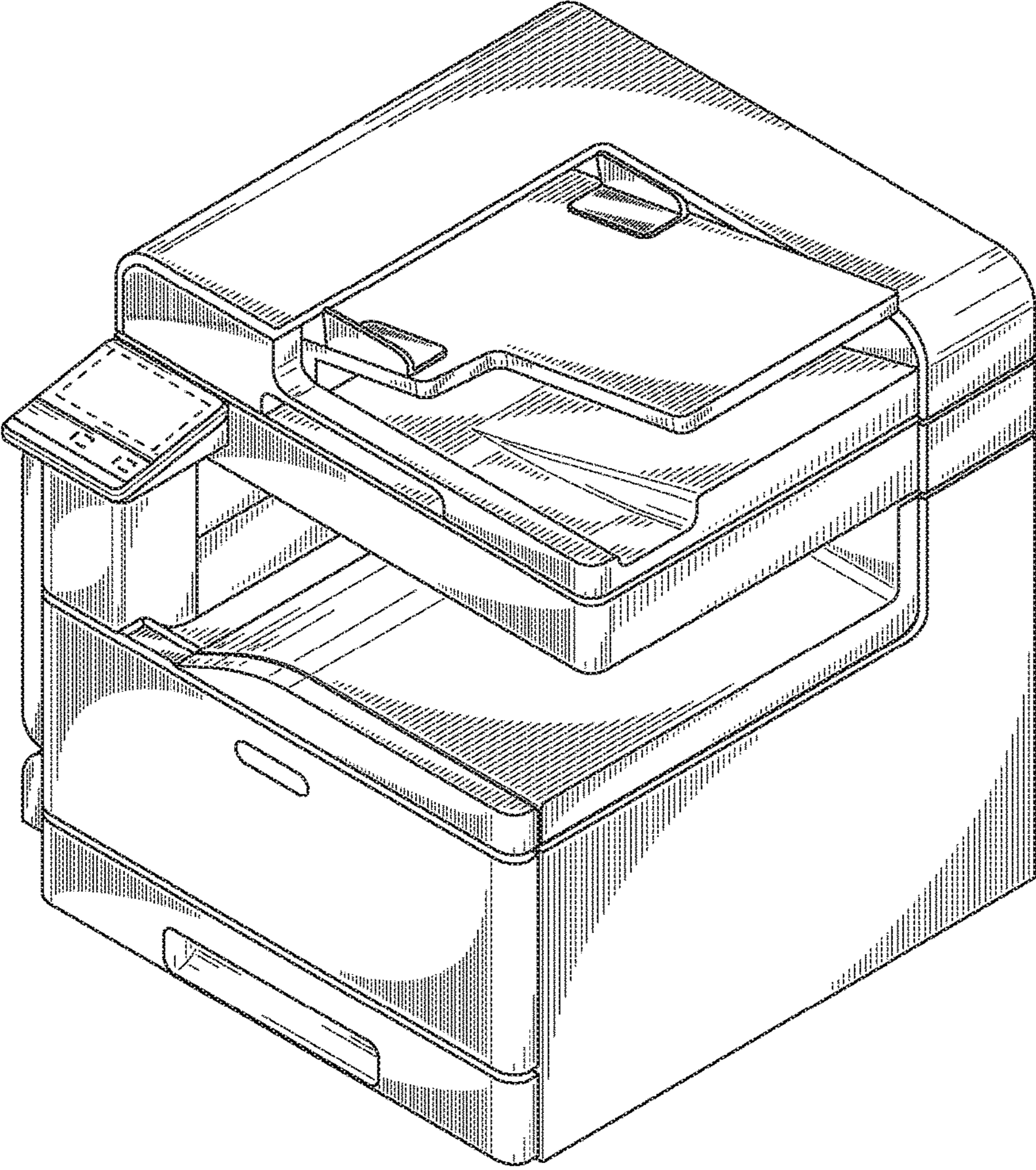


FIG. 1

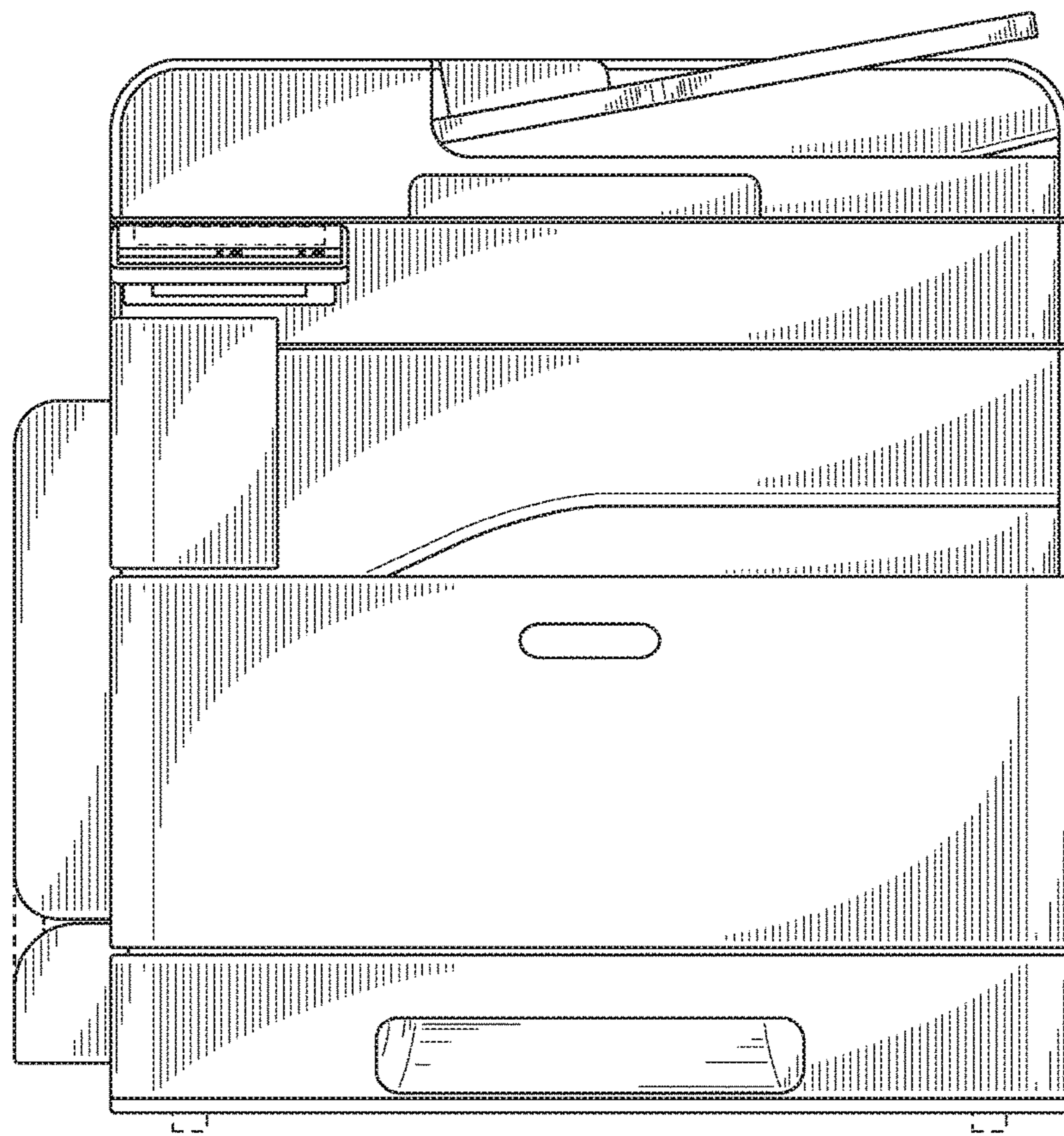


FIG. 2

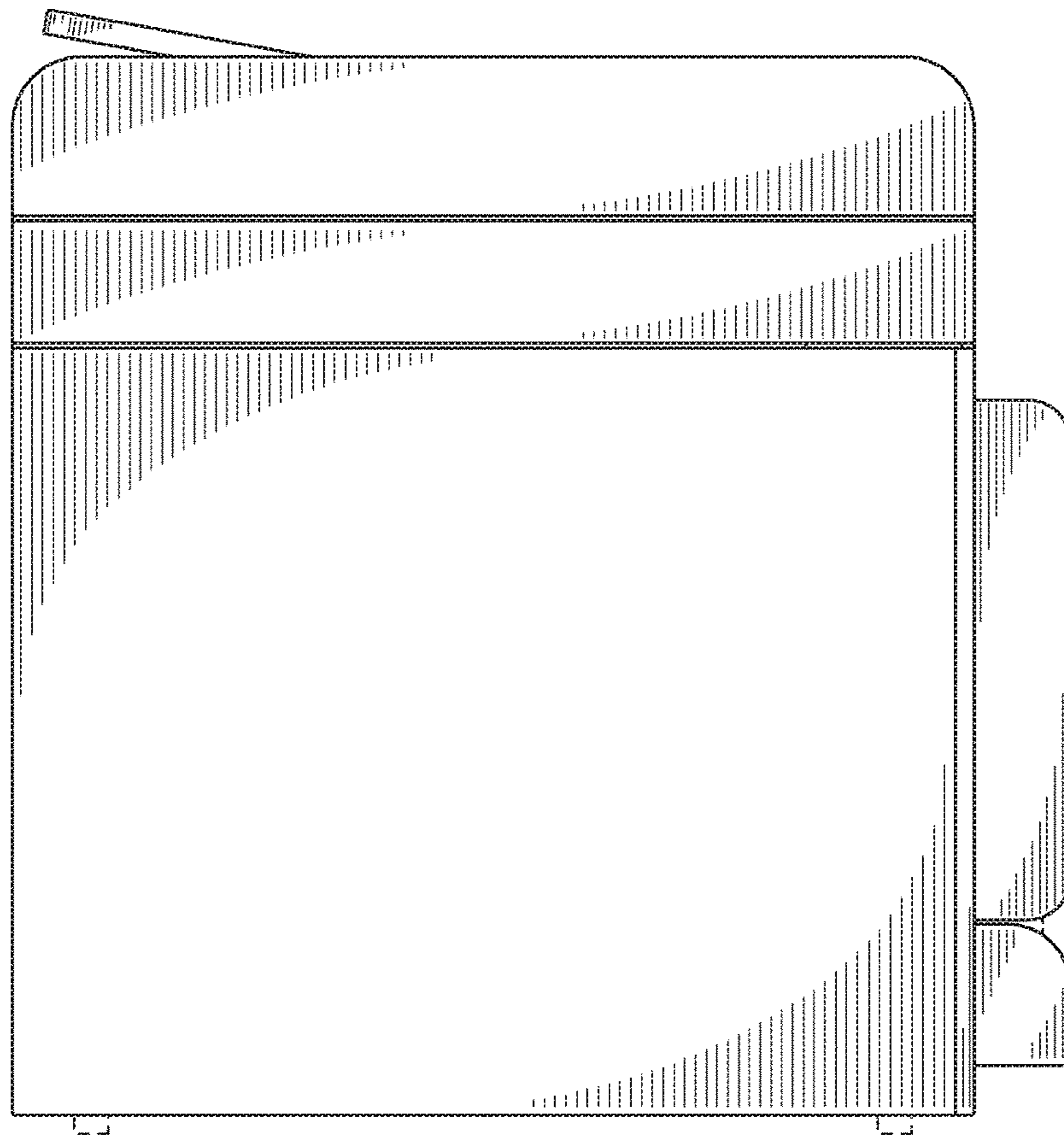


FIG. 3

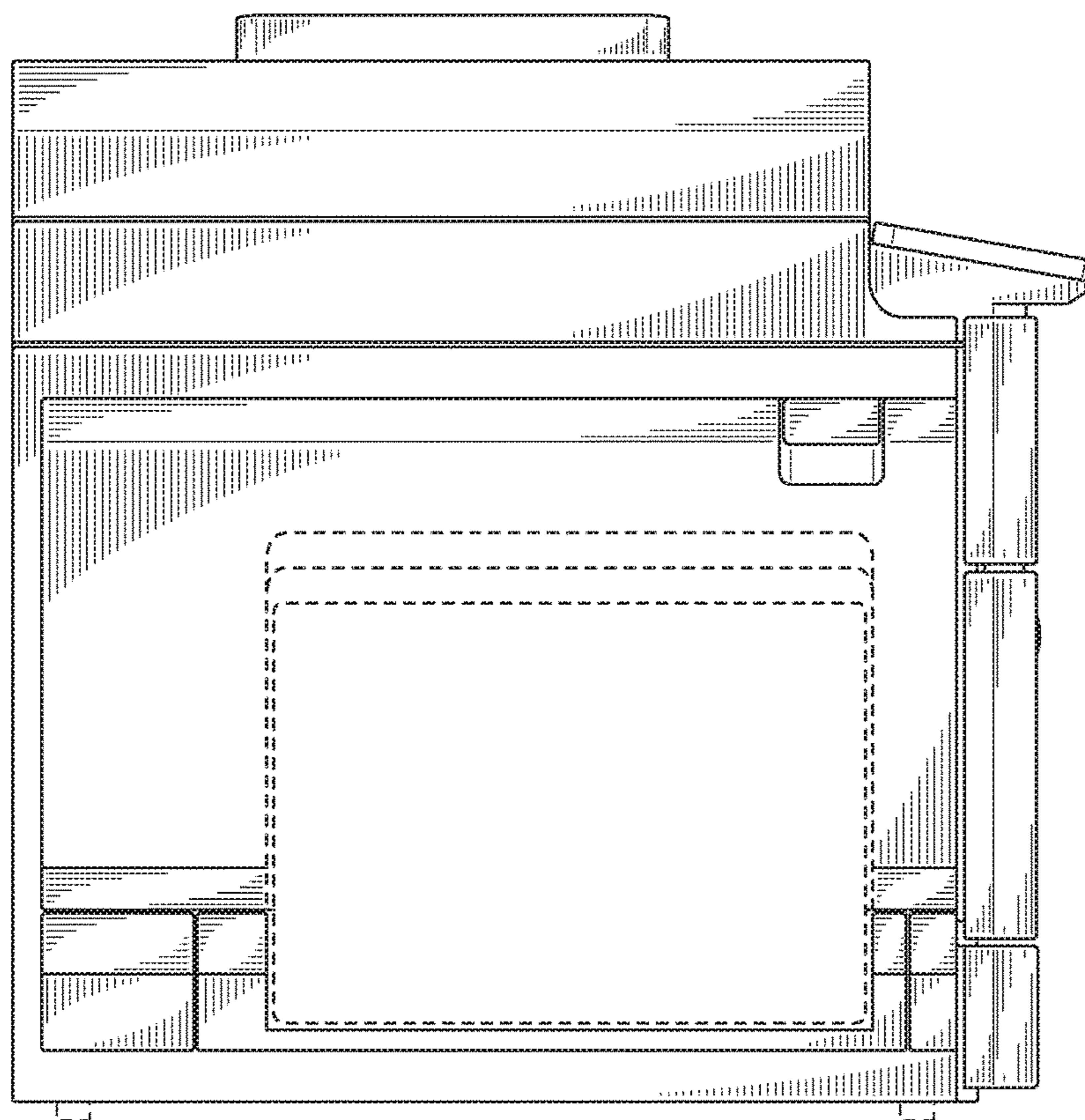


FIG. 4

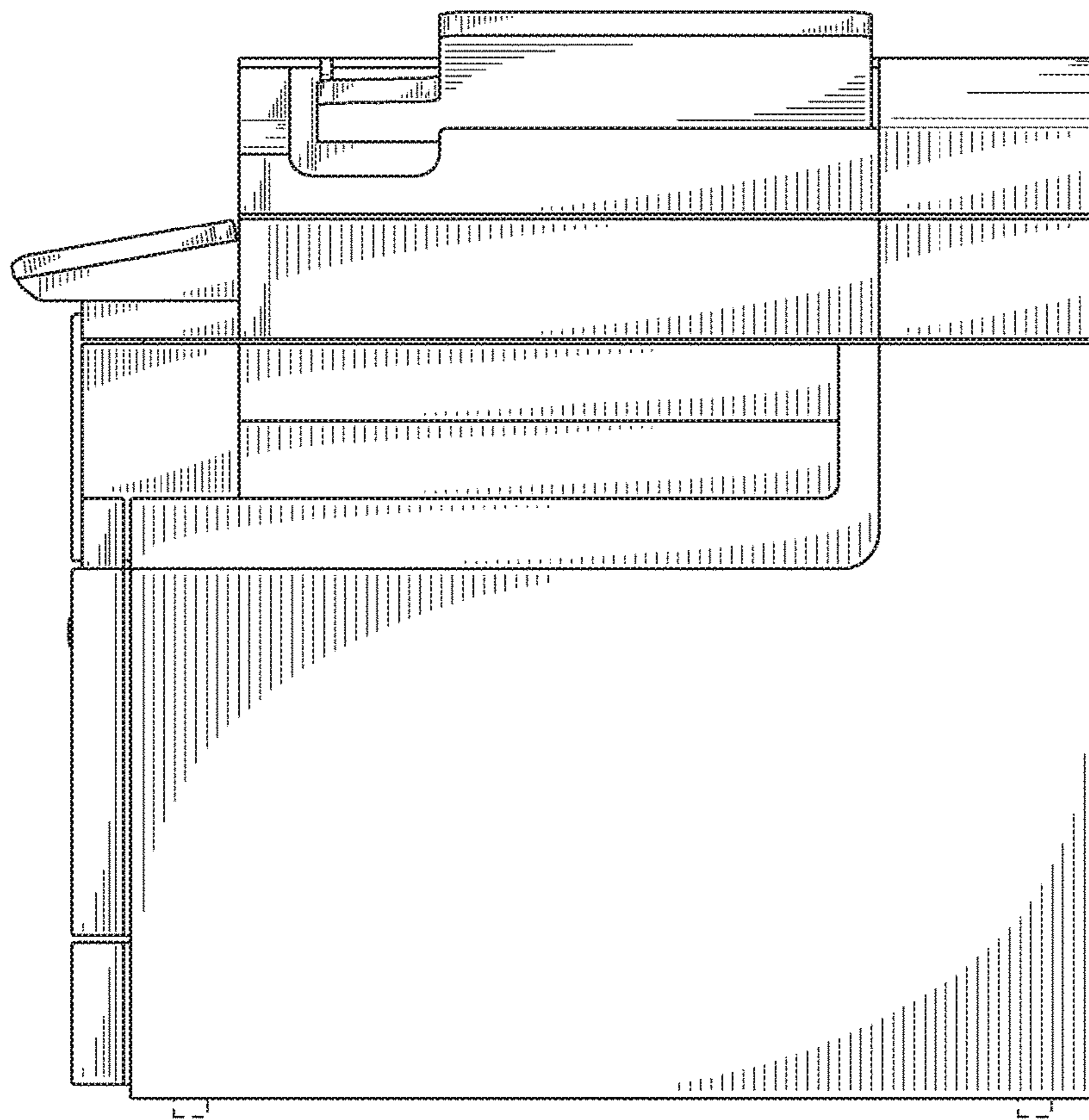


FIG. 5

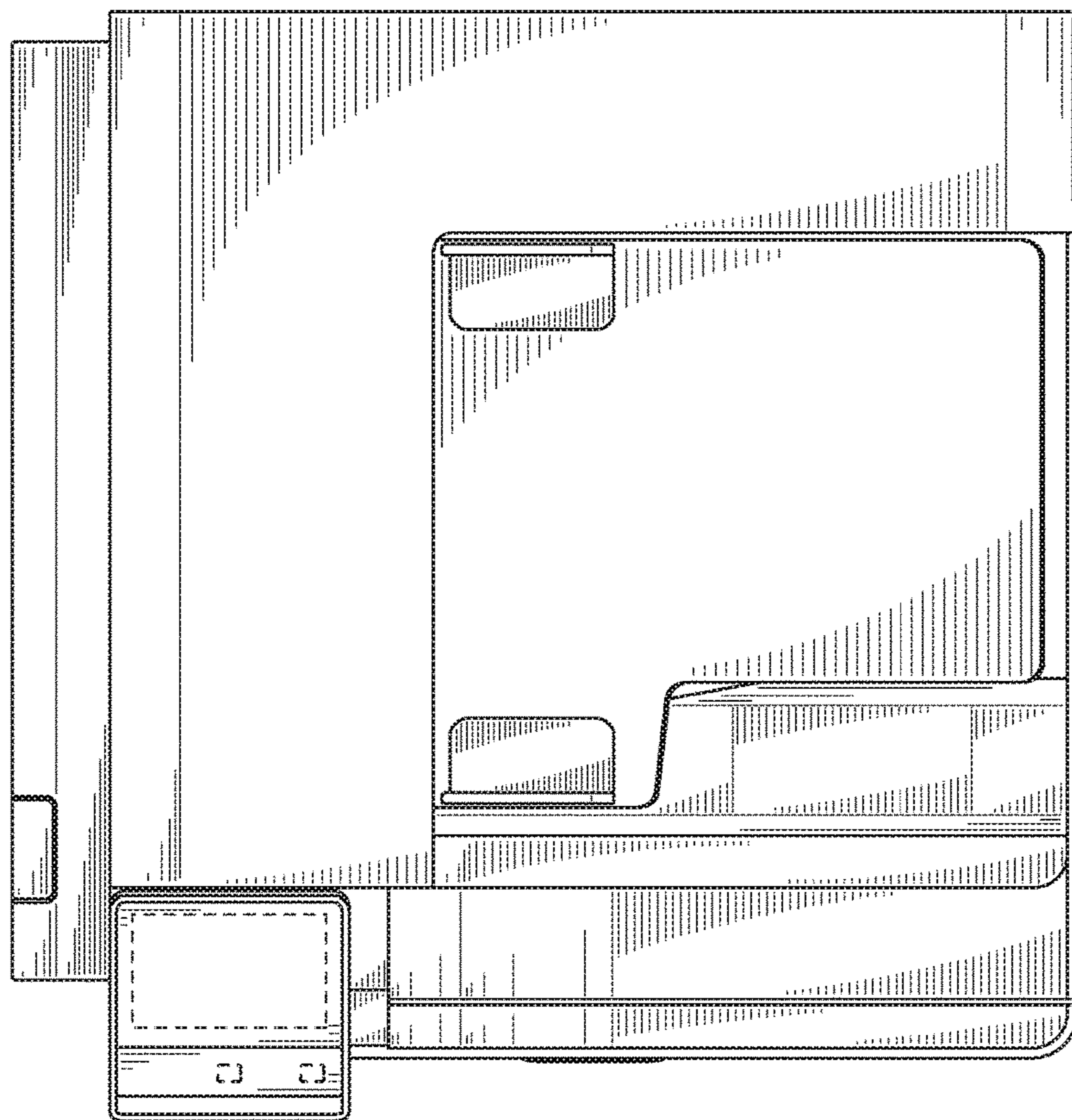


FIG. 6



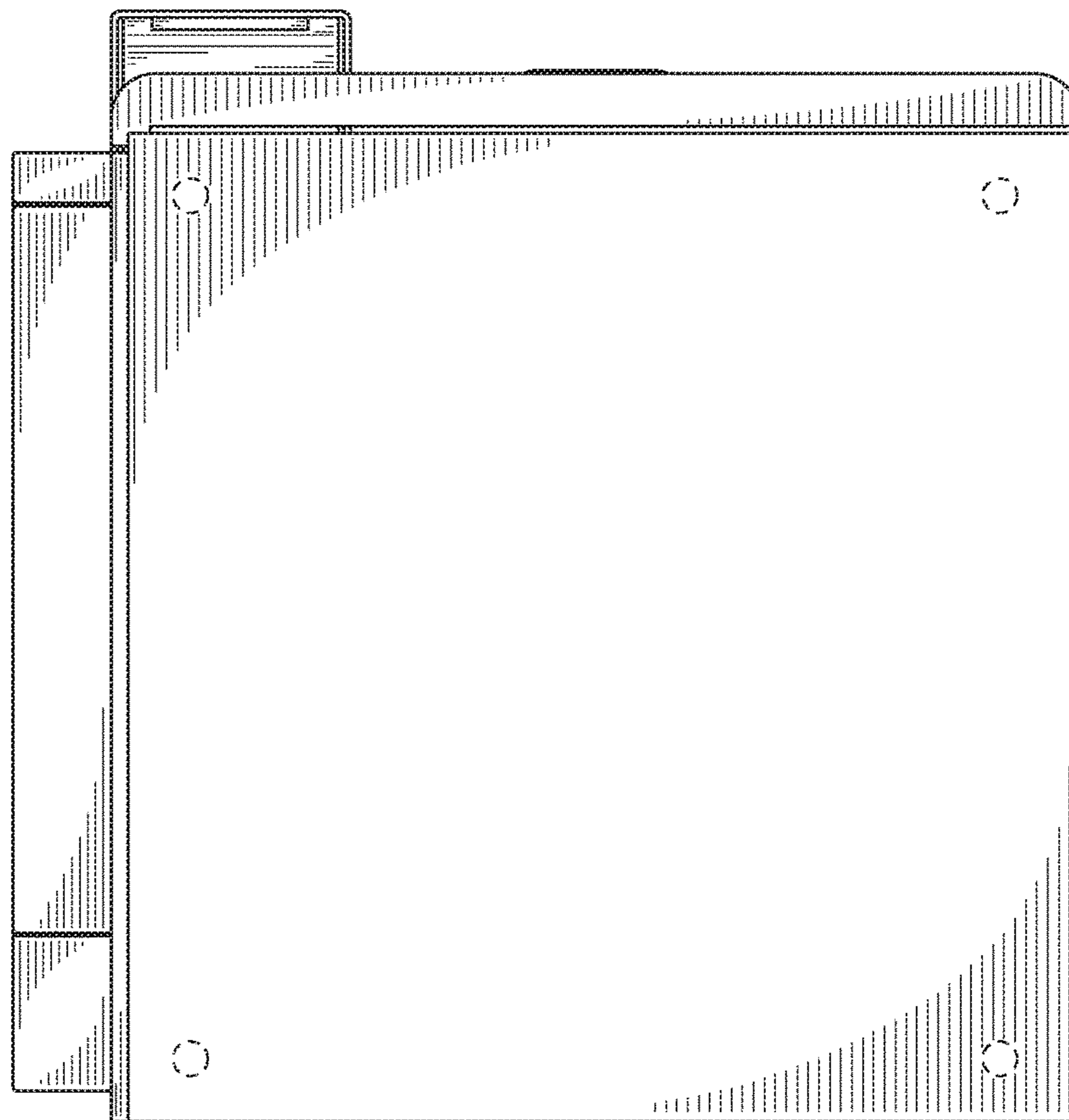


FIG. 7