



US00D849132S

(12) **United States Design Patent**  
**Lin et al.**

(10) **Patent No.:** **US D849,132 S**

(45) **Date of Patent:** **\*\* May 21, 2019**

(54) **PORTION OF TONER CARTRIDGE WITH  
PHOTO CONDUCTOR DRUM UNIT**

(71) Applicant: **AVISION INC.**, Hsinchu (TW)

(72) Inventors: **Chia-Hsin Lin**, Hsinchu (TW);  
**Jan-Hsing Kao**, Miaoli County (TW)

(73) Assignee: **Avision Inc.** (TW)

(\*\*) Term: **15 Years**

(21) Appl. No.: **29/618,926**

(22) Filed: **Sep. 26, 2017**

(30) **Foreign Application Priority Data**

Sep. 8, 2017 (TW) ..... 106305194

(51) **LOC (11) Cl.** ..... **16-03**

(52) **U.S. Cl.**  
USPC ..... **D18/43**

(58) **Field of Classification Search**  
USPC ..... D18/43-44, 12, 99; D16/238; D14/471  
CPC ..... G03G 21/18; B41J 2/1572; B41J 2/1574;  
B41J 2/1721; B41J 2/17503  
See application file for complete search history.

(56) **References Cited**

**U.S. PATENT DOCUMENTS**

D286,297 S \* 10/1986 Clowe ..... D18/36  
D425,545 S \* 5/2000 Ishida ..... D14/471  
D528,148 S \* 9/2006 Ishii ..... D18/43

D529,541 S \* 10/2006 Kawai ..... D18/43  
D550,764 S \* 9/2007 Ishikawa ..... D18/43  
D620,045 S \* 7/2010 Fukuta ..... D18/43  
D795,340 S \* 8/2017 Taguchi ..... D18/43  
D796,573 S \* 9/2017 Li ..... D18/43  
2015/0338772 A1\* 11/2015 Suzuki ..... G03G 21/181  
399/284  
2018/0120761 A1\* 5/2018 Lin ..... G03G 21/1821

**FOREIGN PATENT DOCUMENTS**

JP 1550690 5/2016

\* cited by examiner

*Primary Examiner* — Robin V Webster

*Assistant Examiner* — J. Thorn, Sr.

(57) **CLAIM**

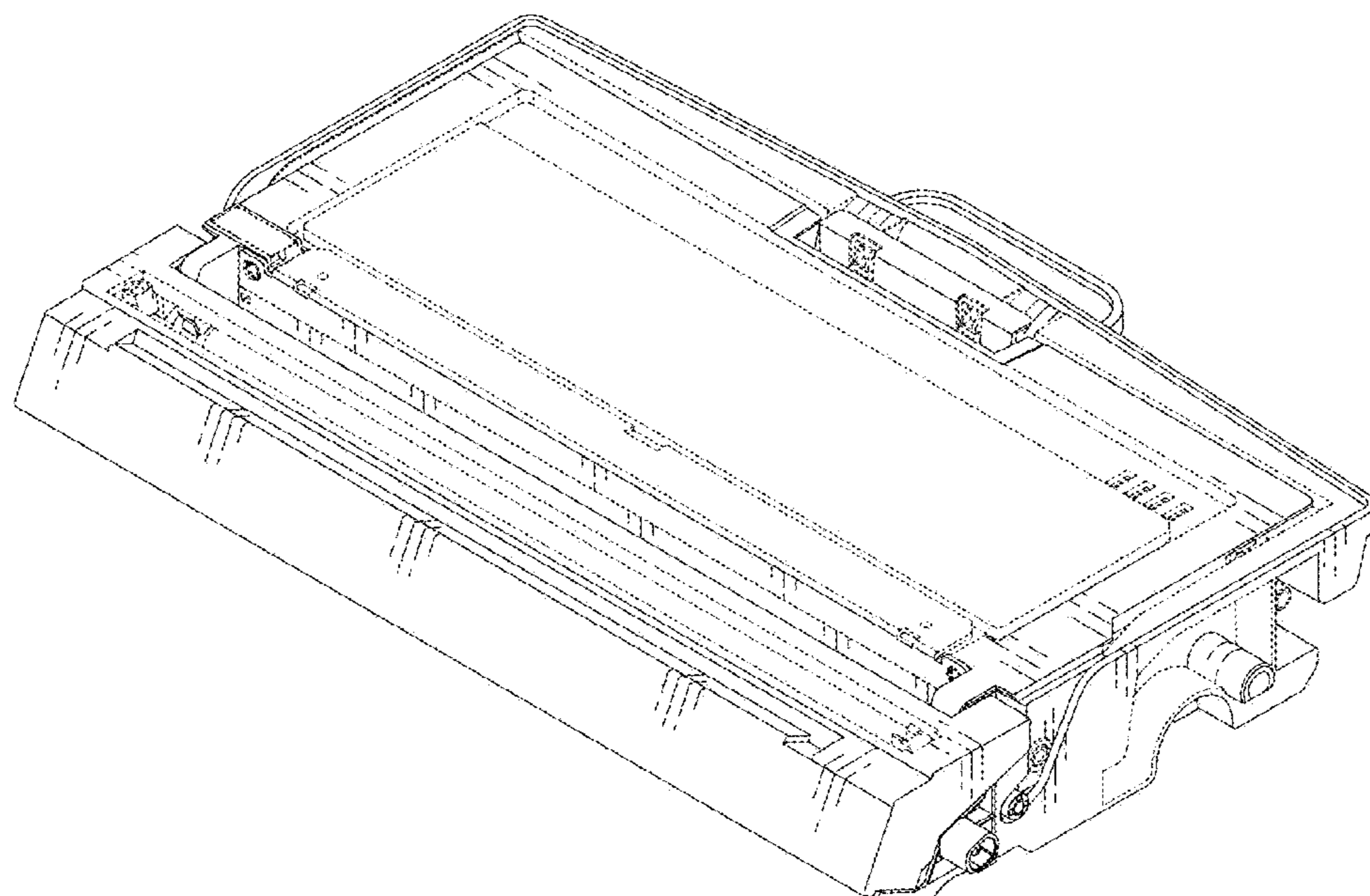
The ornamental design for a portion of toner cartridge with photo conductor drum unit, as shown and described.

**DESCRIPTION**

FIG. 1 is a perspective view of a portion of toner cartridge with photo conductor drum unit showing our new design; FIG. 2 is a front view thereof; FIG. 3 is a rear view thereof; FIG. 4 is a left side view thereof; FIG. 5 is a right side view thereof; FIG. 6 is a top view thereof; and, FIG. 7 is a bottom view thereof.

The broken lines depict portions of the portion of toner cartridge with photo conductor drum unit that form no part of the claimed design.

**1 Claim, 7 Drawing Sheets**



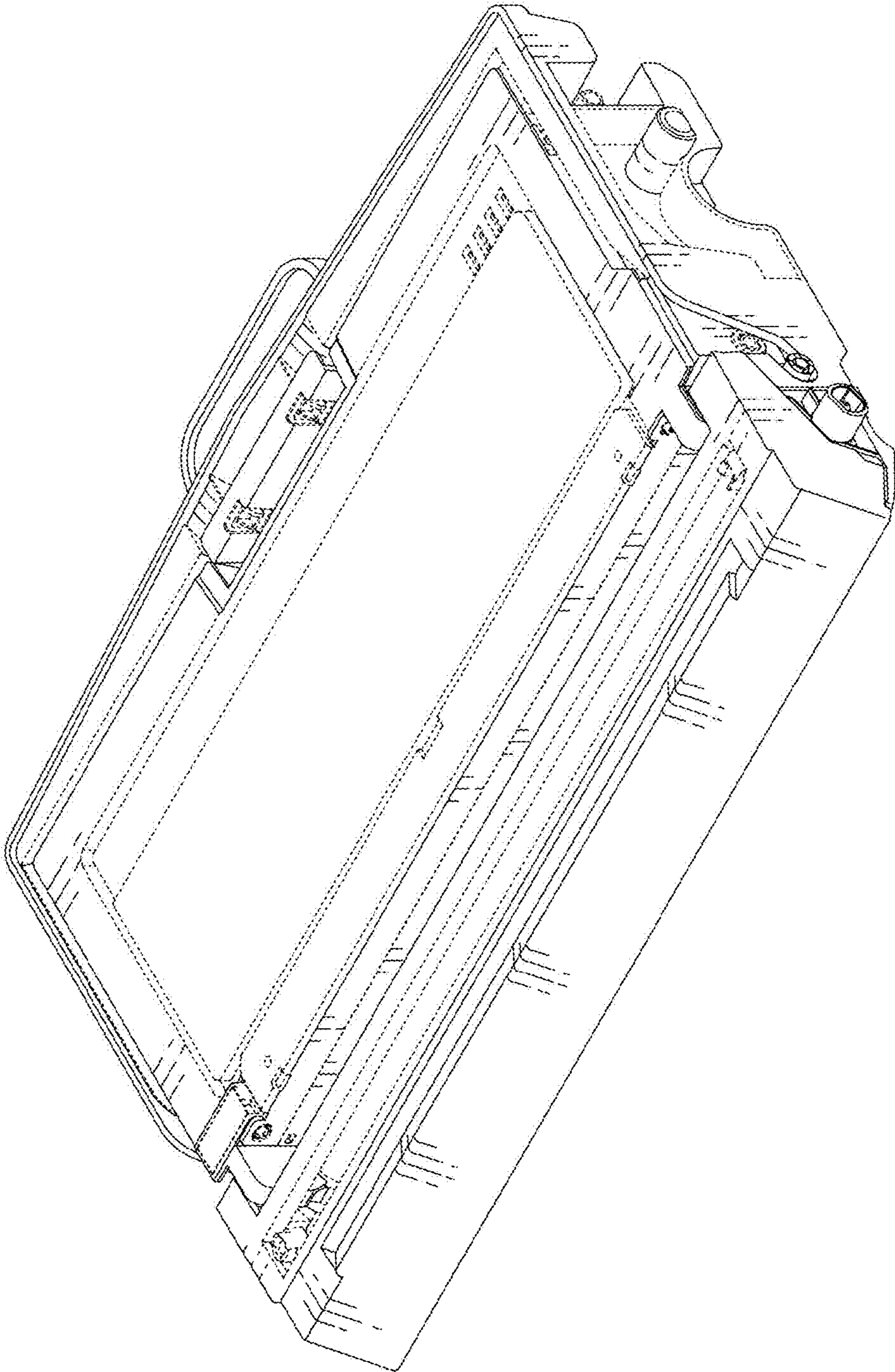


Fig. 1

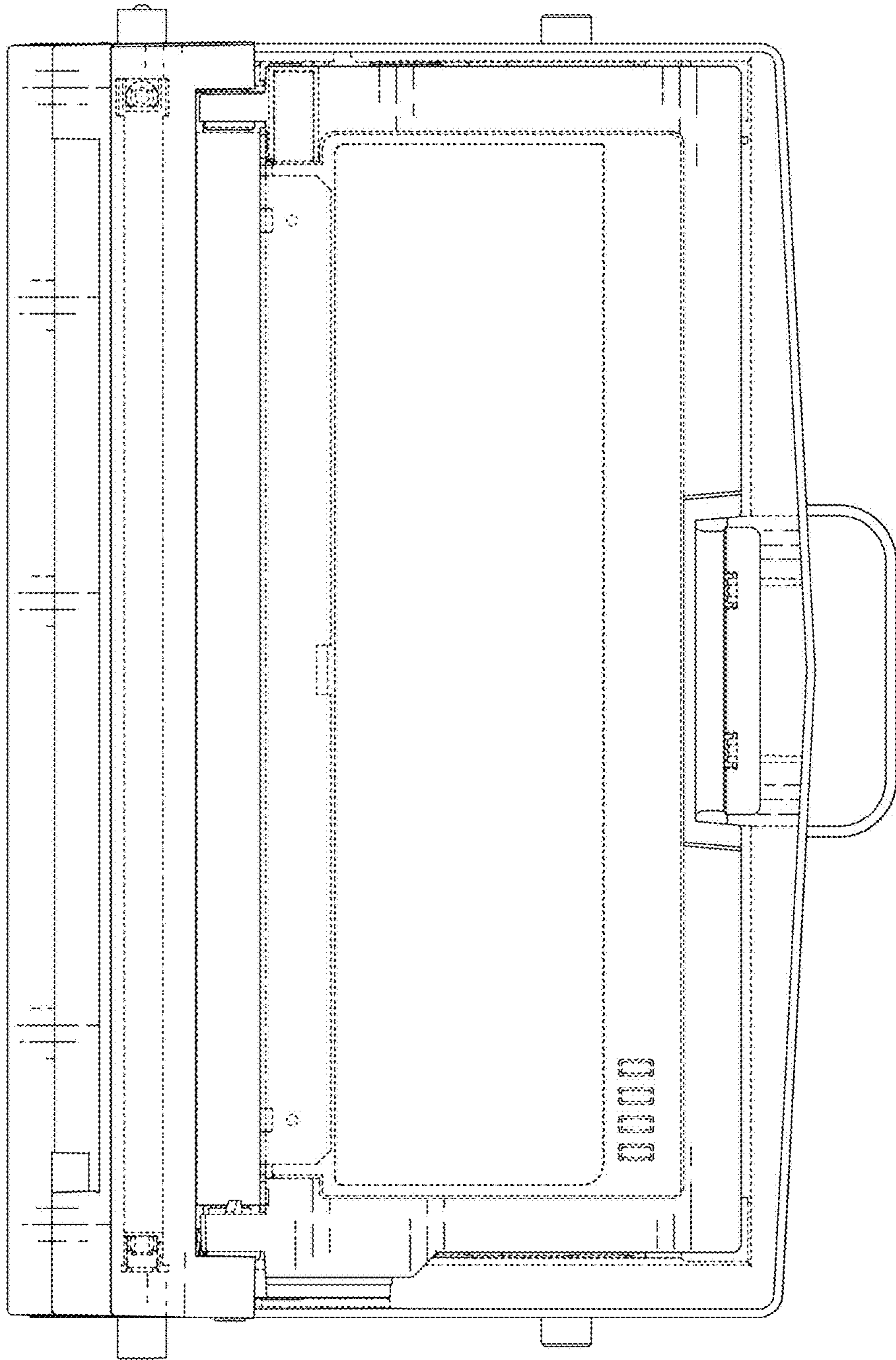


Fig. 2

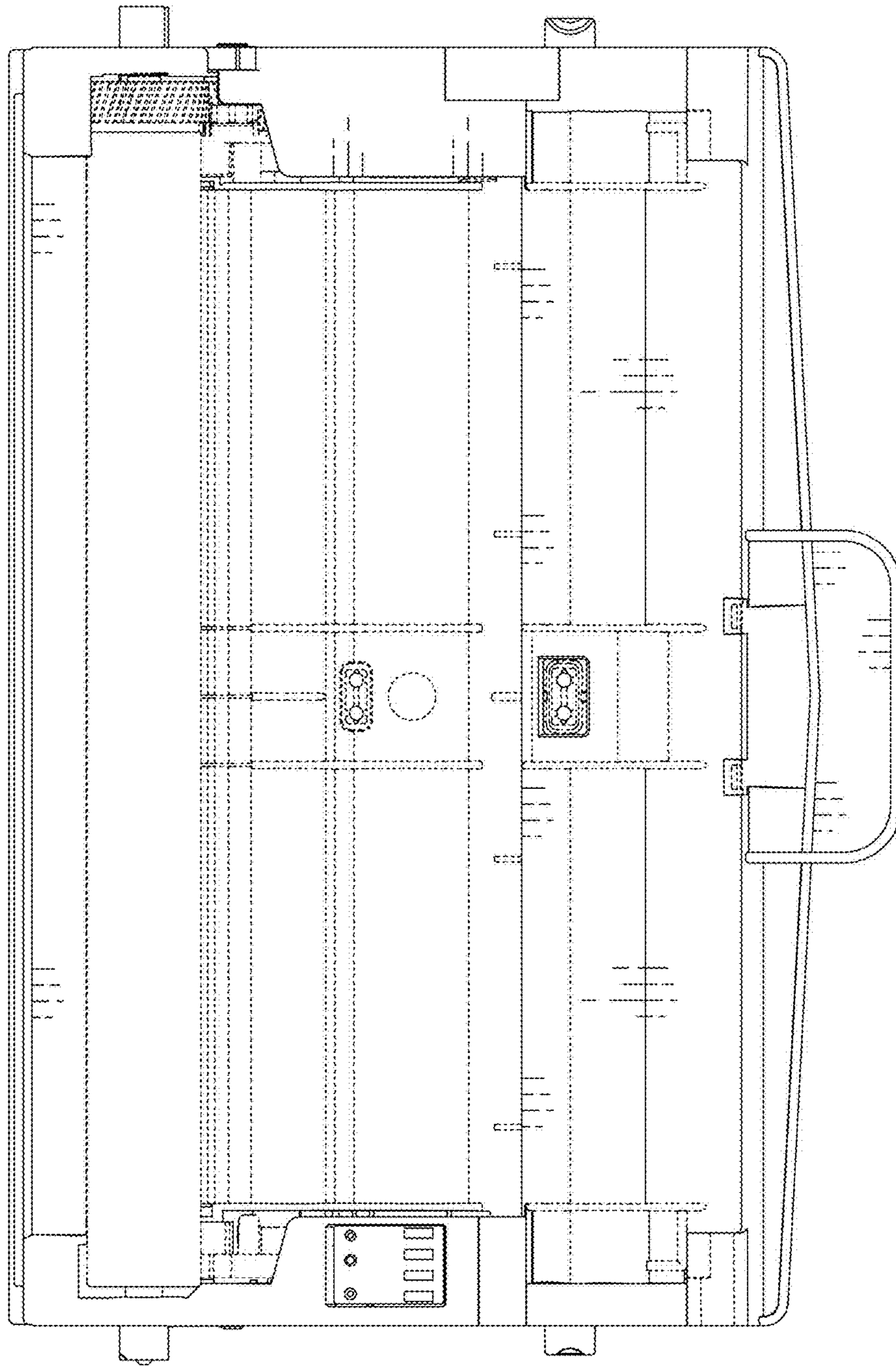


Fig. 3

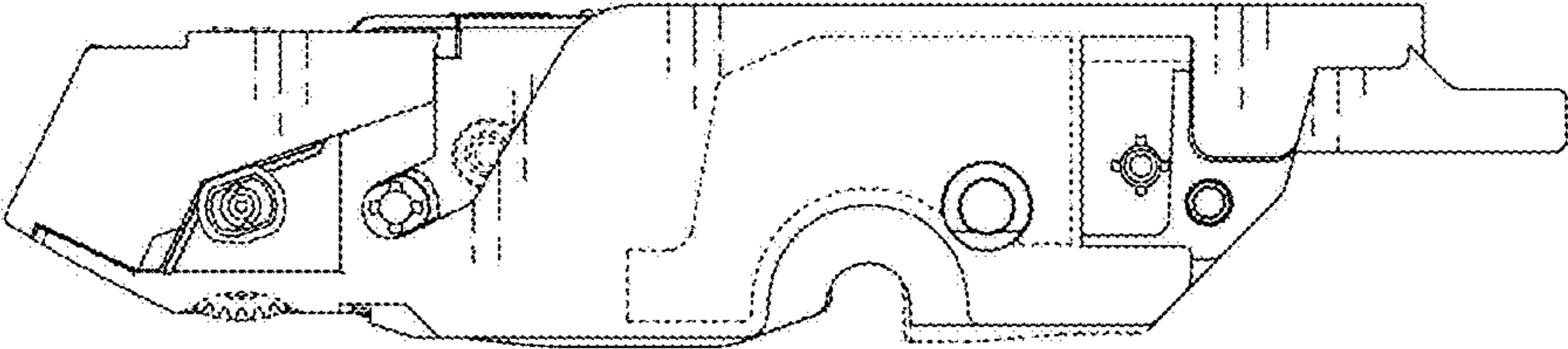


Fig. 4

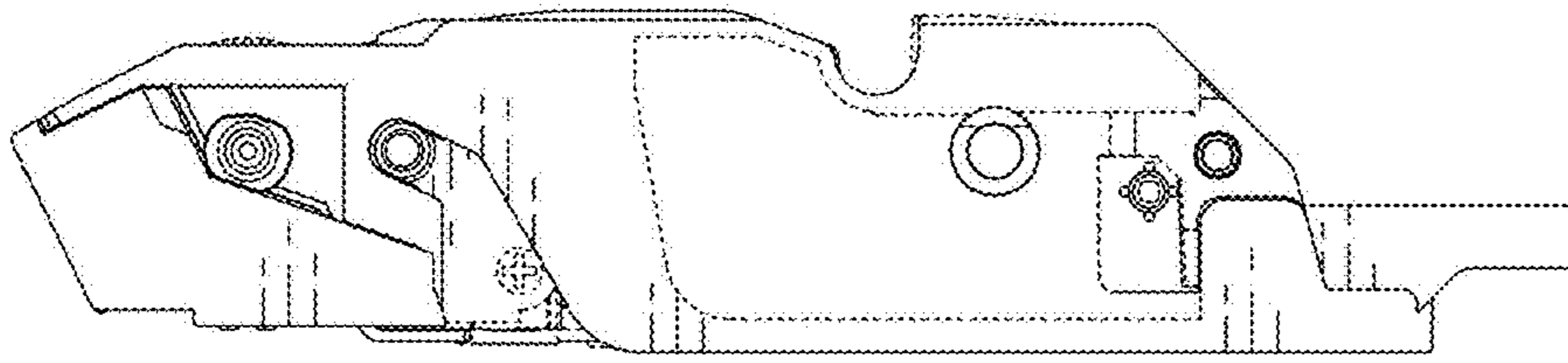


Fig. 5

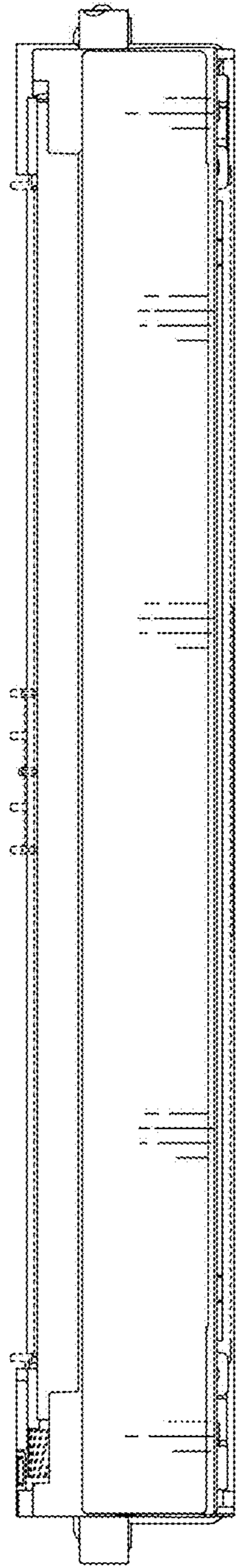


Fig. 6

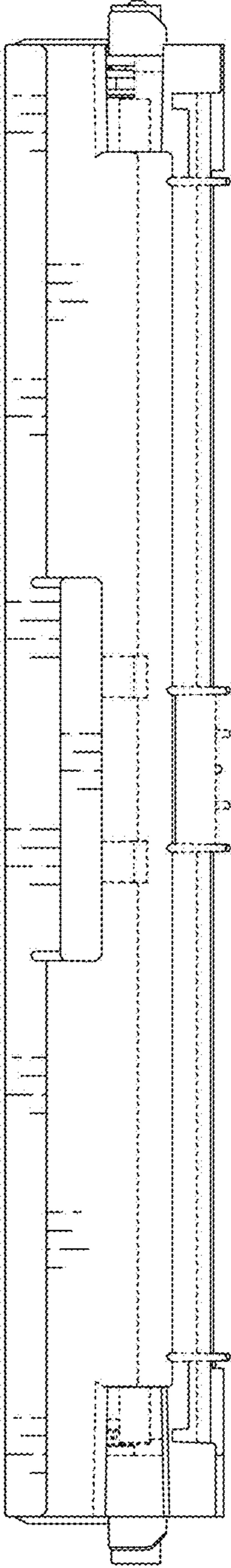


Fig. 7