



US00D849131S

(12) **United States Design Patent**
Shimizu et al.

(10) **Patent No.:** **US D849,131 S**

(45) **Date of Patent:** **** May 21, 2019**

(54) **TONER CARTRIDGE**

(71) Applicant: **BROTHER INDUSTRIES, LTD.**,
Nagoya-shi, Aichi-ken (JP)

(72) Inventors: **Takashi Shimizu**, Nagoya (JP); **Naoya Kamimura**, Ichinomiya (JP); **Koji Abe**, Nagoya (JP); **Hideshi Nishiyama**, Owariasahi (JP); **Keita Shimizu**, Nagoya (JP); **Shinya Kusuda**, Nagoya (JP); **Atsushi Fukaya**, Toyohashi (JP); **Tomoya Ichikawa**, Nagoya (JP)

(73) Assignee: **BROTHER INDUSTRIES, LTD.**,
Nagoya (JP)

(**) Term: **15 Years**

(21) Appl. No.: **29/610,301**

(22) Filed: **Jul. 11, 2017**

(30) **Foreign Application Priority Data**

Apr. 13, 2017 (JP) 2017-007889

(51) **LOC (11) Cl.** **16-03**

(52) **U.S. Cl.**
USPC **D18/43**

(58) **Field of Classification Search**
USPC D18/43-44, 12, 99; D14/471
CPC B41J 2/1572; B41J 2/1574; B41J 2/1721;
B41J 2/17503

See application file for complete search history.

(56) **References Cited**

U.S. PATENT DOCUMENTS

D528,148 S * 9/2006 Ishii D18/43
D550,765 S * 9/2007 Ishikawa D18/43

D694,816 S * 12/2013 Fukamachi D18/43
D723,614 S * 3/2015 Shimizu D18/43
D795,340 S * 8/2017 Taguchi D18/43
D796,573 S * 9/2017 Li D18/43
D810,193 S * 2/2018 Etoh D18/43
D823,381 S * 7/2018 Shao D18/43
2012/0050366 A1 * 3/2012 Fukasawa B41J 2/16505
347/14
2013/0100202 A1 * 4/2013 Ogasawara B41J 2/16526
347/31
2018/0017928 A1 * 1/2018 Ichikawa G03G 15/80

* cited by examiner

Primary Examiner — Robin V Webster

Assistant Examiner — J. Thorn, Sr.

(74) *Attorney, Agent, or Firm* — Oliff PLC

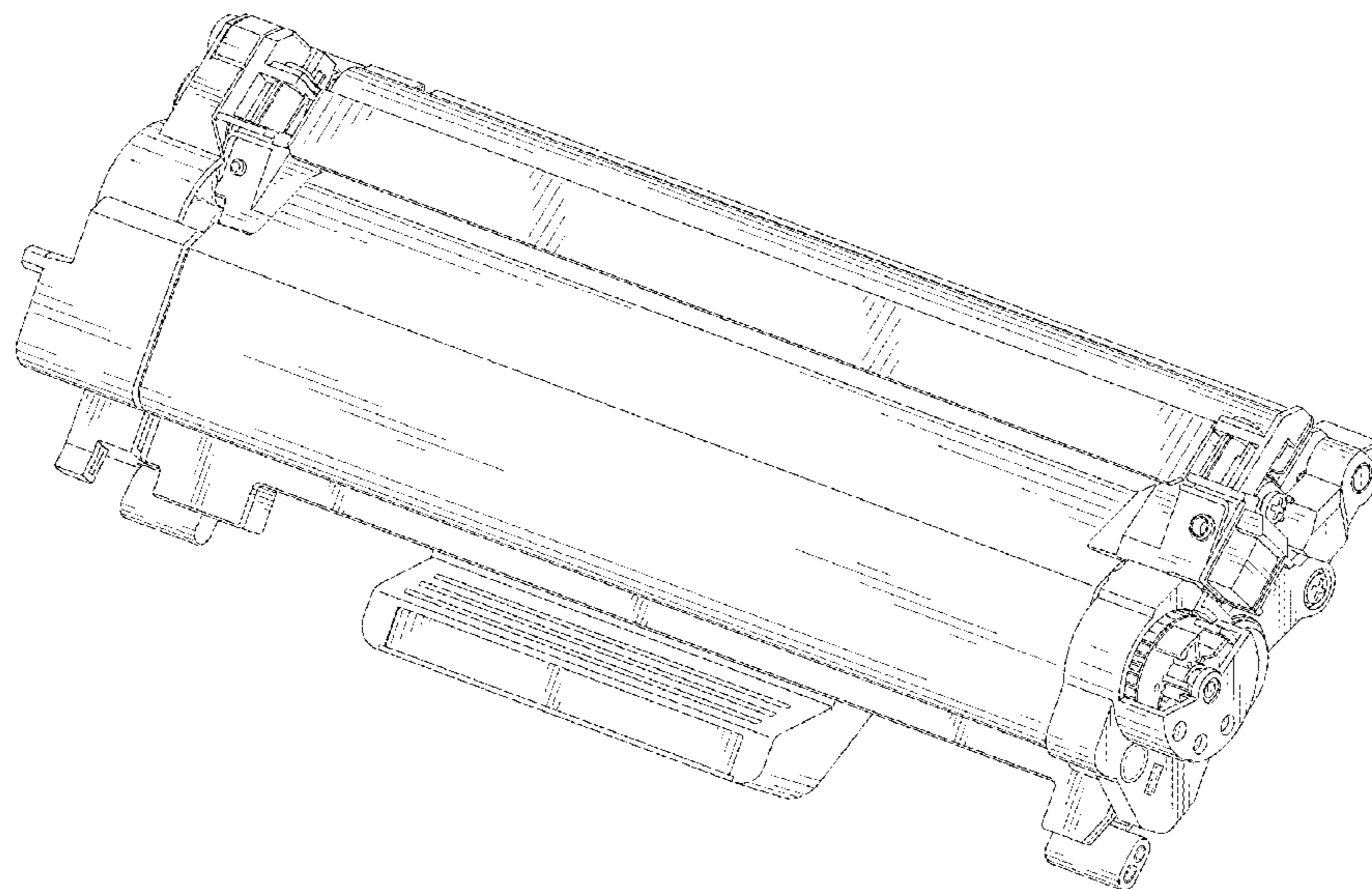
(57) **CLAIM**

The ornamental design for a toner cartridge, as shown and described.

DESCRIPTION

FIG. 1 is a top perspective view of a toner cartridge;
FIG. 2 is a front view thereof;
FIG. 3 is a top view thereof;
FIG. 4 is a right-side view thereof;
FIG. 5 is a left-side view thereof;
FIG. 6 is a rear view thereof;
FIG. 7 is a bottom view thereof; and,
FIG. 8 is a bottom perspective view thereof.
The broken lines depict environmental subject matter only and form no part of the claimed design.

1 Claim, 7 Drawing Sheets



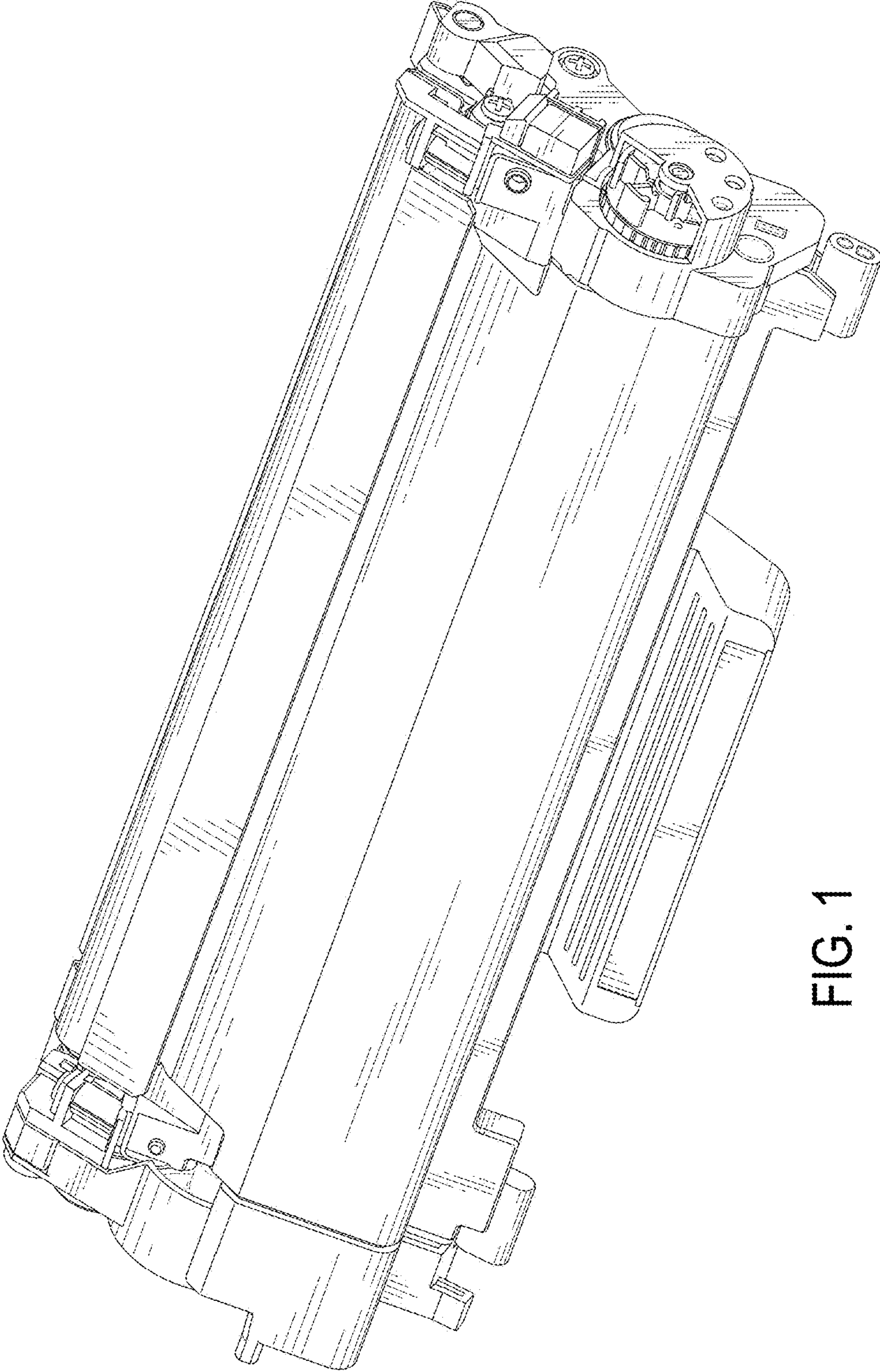


FIG. 1

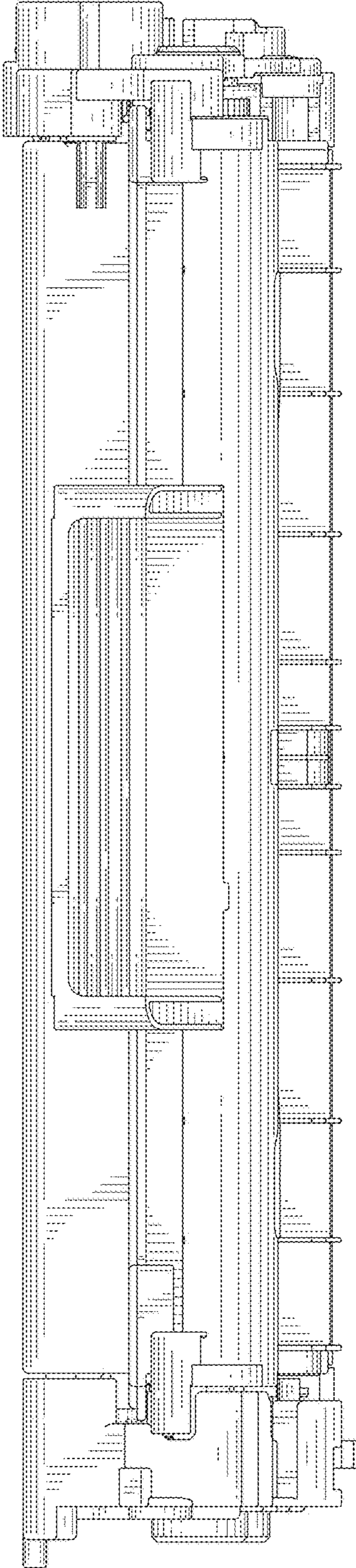


FIG. 2

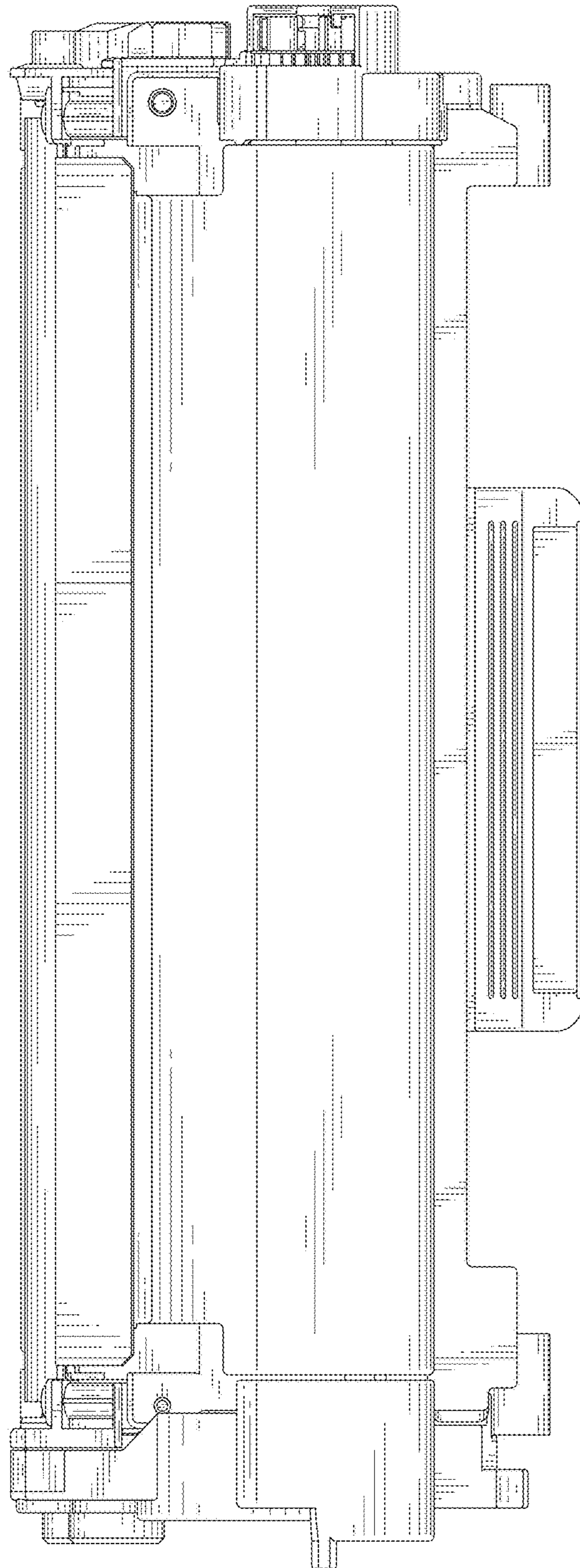


FIG. 3

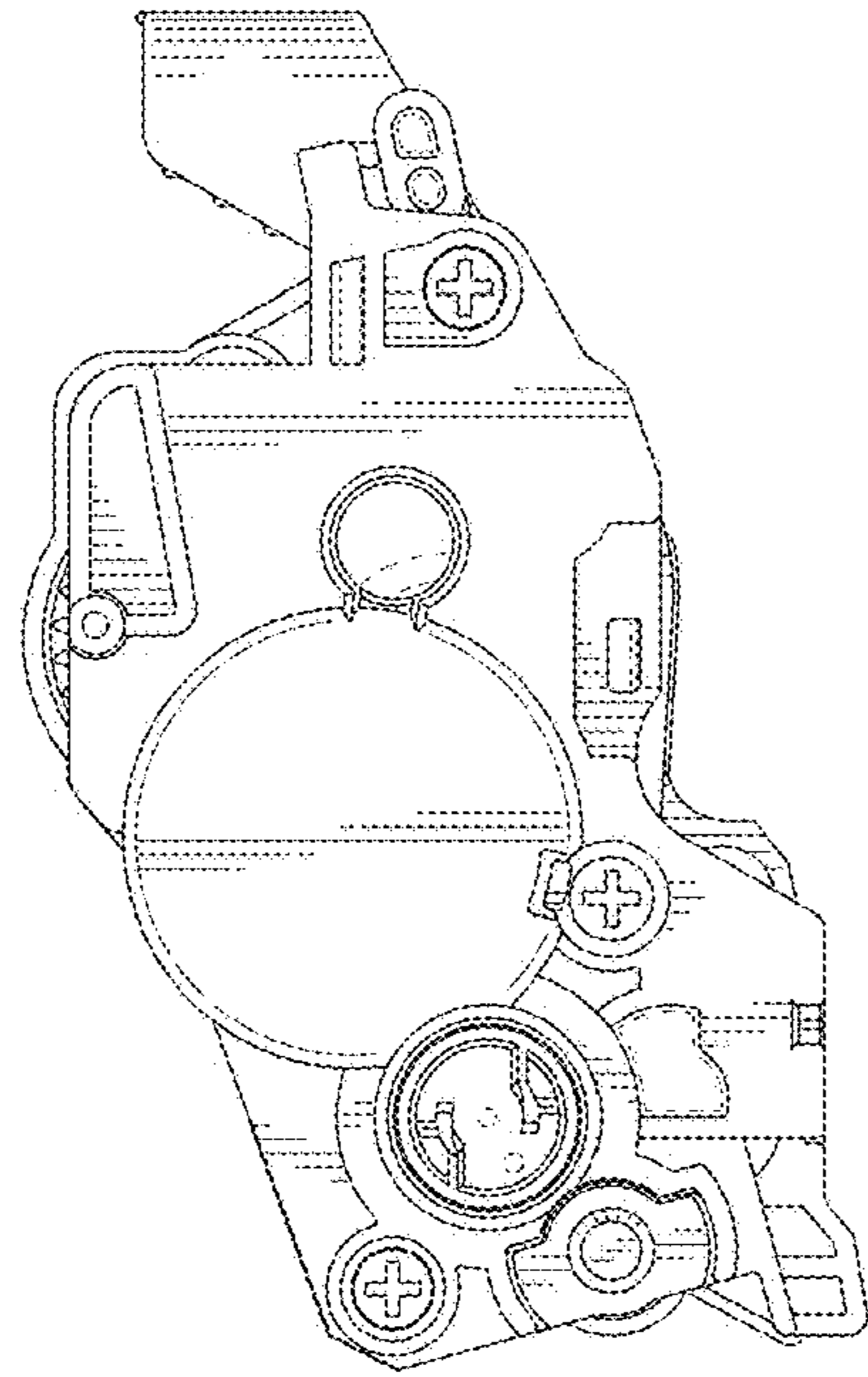


FIG. 5

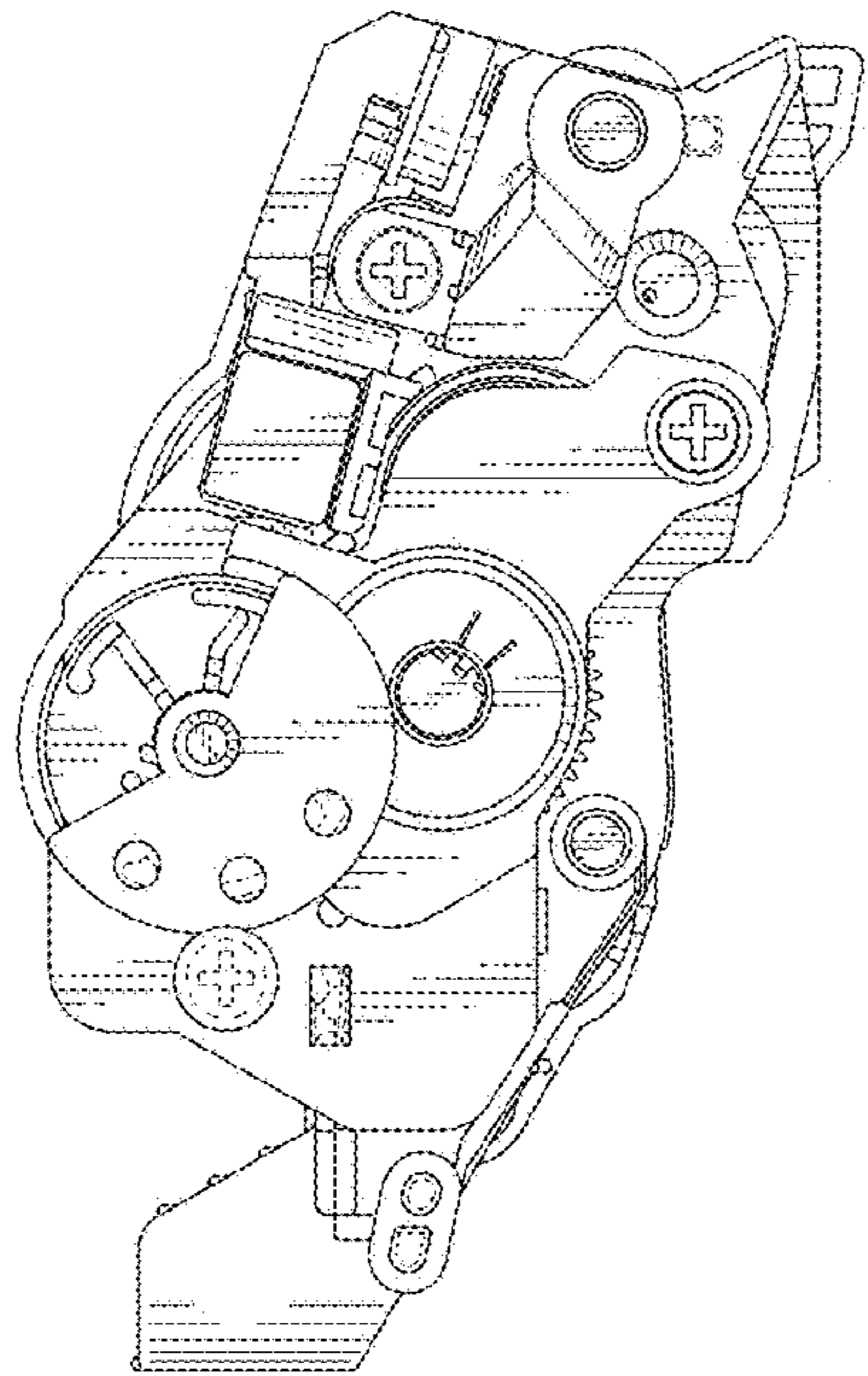


FIG. 4

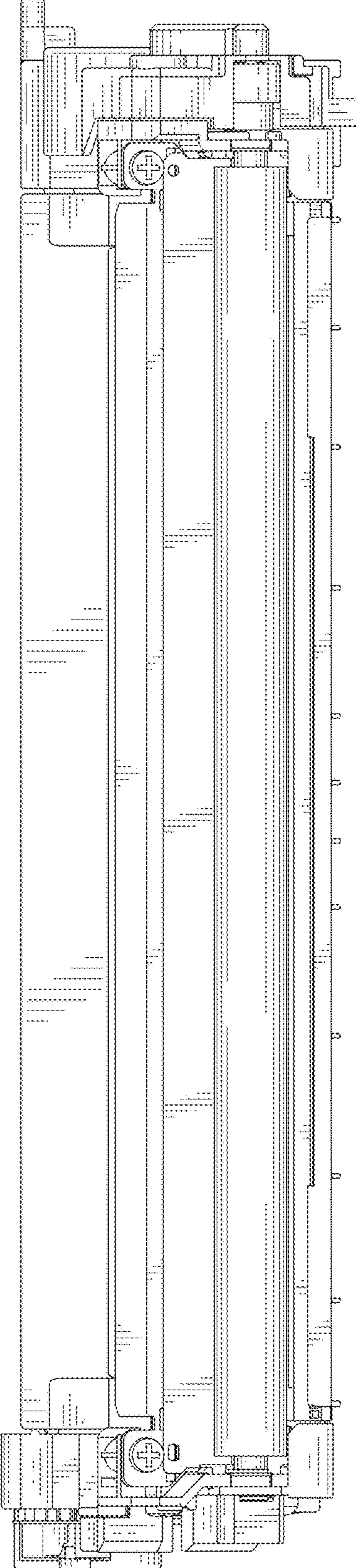


FIG. 6

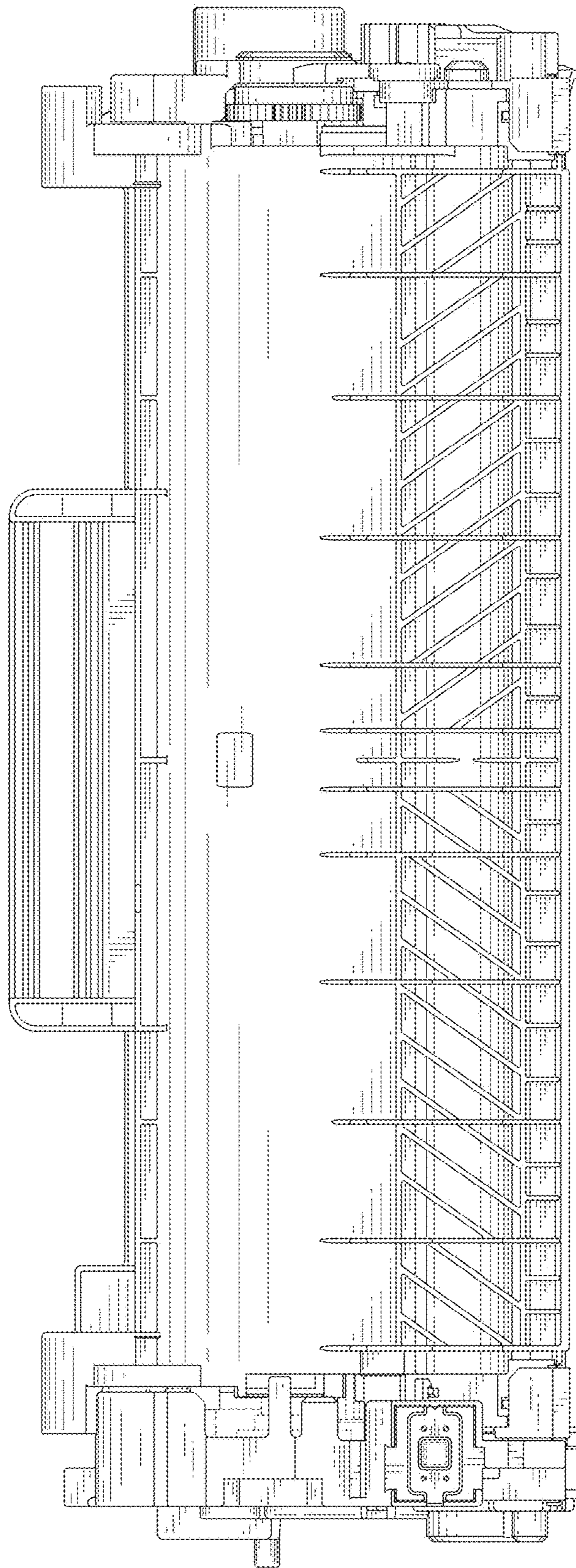


FIG. 7

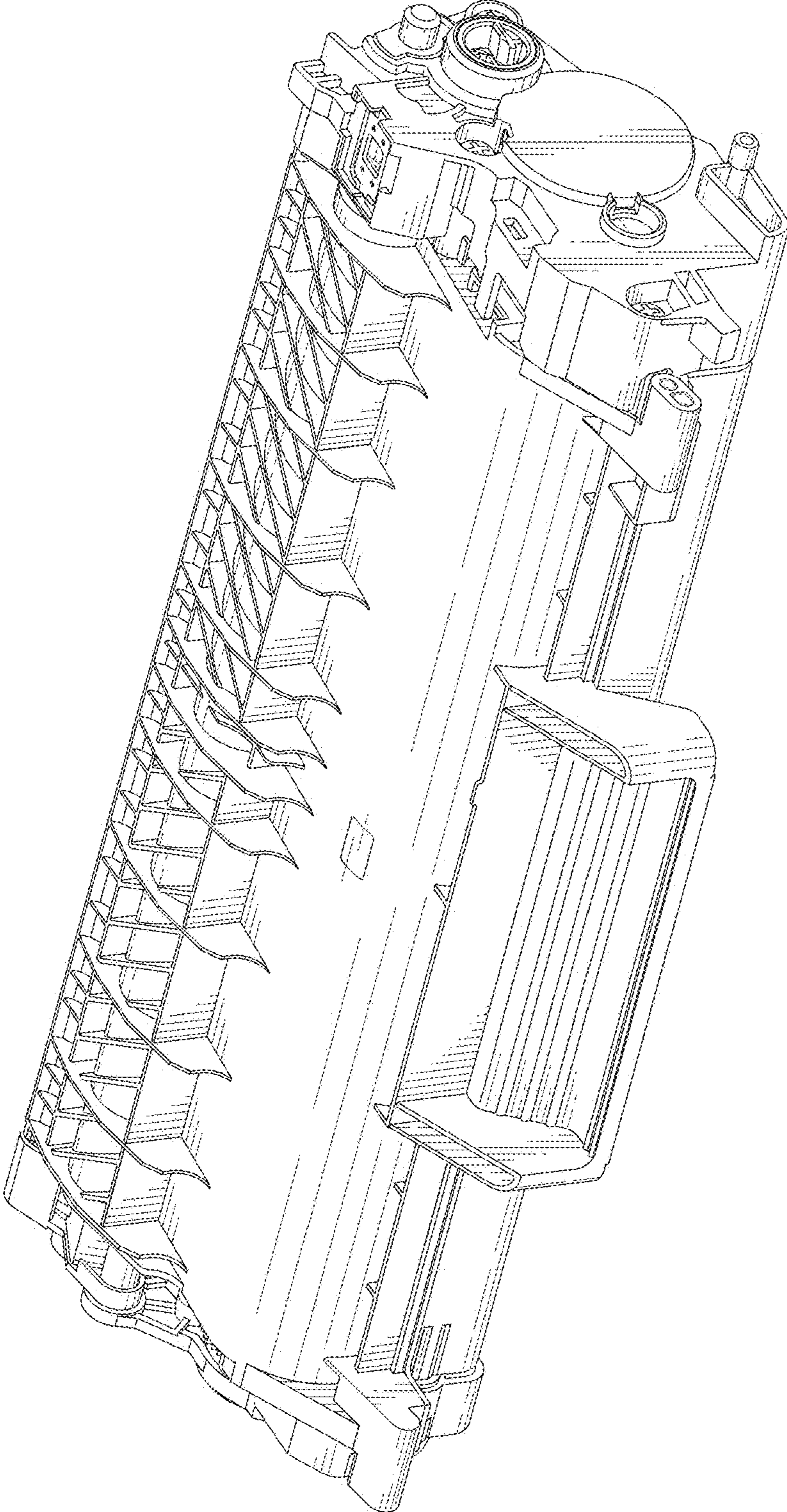


FIG. 8