

US00D849130S

(12) **United States Design Patent**
Yaginuma

(10) **Patent No.:** **US D849,130 S**

(45) **Date of Patent:** **** May 21, 2019**

(54) **CRADLE FOR A POINT-OF-SALE
TERMINAL**

(71) Applicant: **Cielo S.A.**, Barueri—SP (BR)

(72) Inventor: **Daniel Yaginuma**, São Bernardo do
Campo (BR)

(73) Assignee: **Cielo S.A.**, Barueri—SP (BR)

(**) Term: **15 Years**

(21) Appl. No.: **29/574,581**

(22) Filed: **Aug. 17, 2016**

(30) **Foreign Application Priority Data**

Apr. 24, 2016 (BR) 02016000745

(51) **LOC (11) Cl.** **18-01**

(52) **U.S. Cl.**
USPC **D18/12; D13/108**

(58) **Field of Classification Search**
USPC D18/12, 12.3, 4.4, 4.5, 4.6, 2, 99;
D14/239, 434, 447, 451, 457, 253, 217,
D14/314, 328, 332, 335, 900, 902, 356,
D14/357, 358, 432, 433; D13/103, 107,
D13/108; D20/1

CPC G06F 1/1632; G06Q 20/00; G06Q 20/08;
G06Q 20/20; G07F 7/0873; G07F 7/088;
G07G 1/0009; G07G 1/0018

See application file for complete search history.

(56) **References Cited**

U.S. PATENT DOCUMENTS

D94,330 S 1/1935 Budlong
4,165,554 A 8/1979 Faget
D327,868 S * 7/1992 Oka D13/110
D338,876 S 8/1993 Nair et al.
D399,244 S * 10/1998 Coveley D18/12
D412,162 S * 7/1999 Tal D14/447
D453,155 S * 1/2002 Michel D14/253

D463,393 S 9/2002 Kataoka
D476,359 S * 6/2003 Mittler D18/12
D486,492 S * 2/2004 Sheu D14/434
D518,469 S 4/2006 Barad
D527,039 S * 8/2006 Colburn D18/12
D540,816 S * 4/2007 Kim D14/224
D543,232 S * 5/2007 Colburn D18/12
D543,582 S * 5/2007 Colburn D18/12

(Continued)

OTHER PUBLICATIONS

Automatic vending machines. (Design -©Questel) orbit.com.
[online PDF] 4 pgs. Print Date: Aug. 1, 2016. [Retrieved on Aug. 9,
2018] <https://sobjprd.questel.fr/export/QPTUJ214/pdf2/e07b5676-5502-43dd-b19a-f3b76be42c82-233547.pdf>.*

(Continued)

Primary Examiner — Marie D. Fast Horse

(74) *Attorney, Agent, or Firm* — McDonnell Boehnen
Hulbert & Berghoff LLP

(57) **CLAIM**

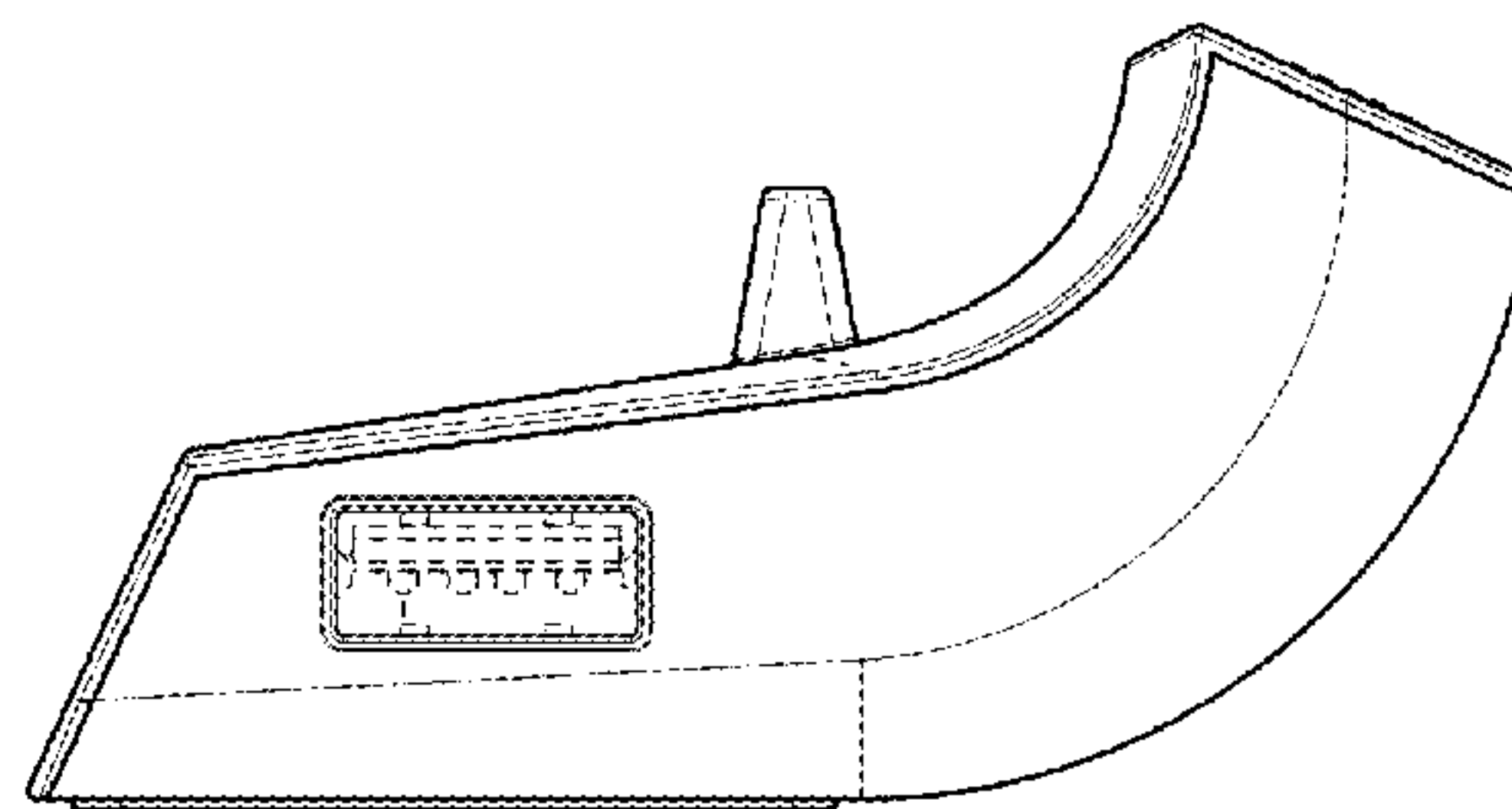
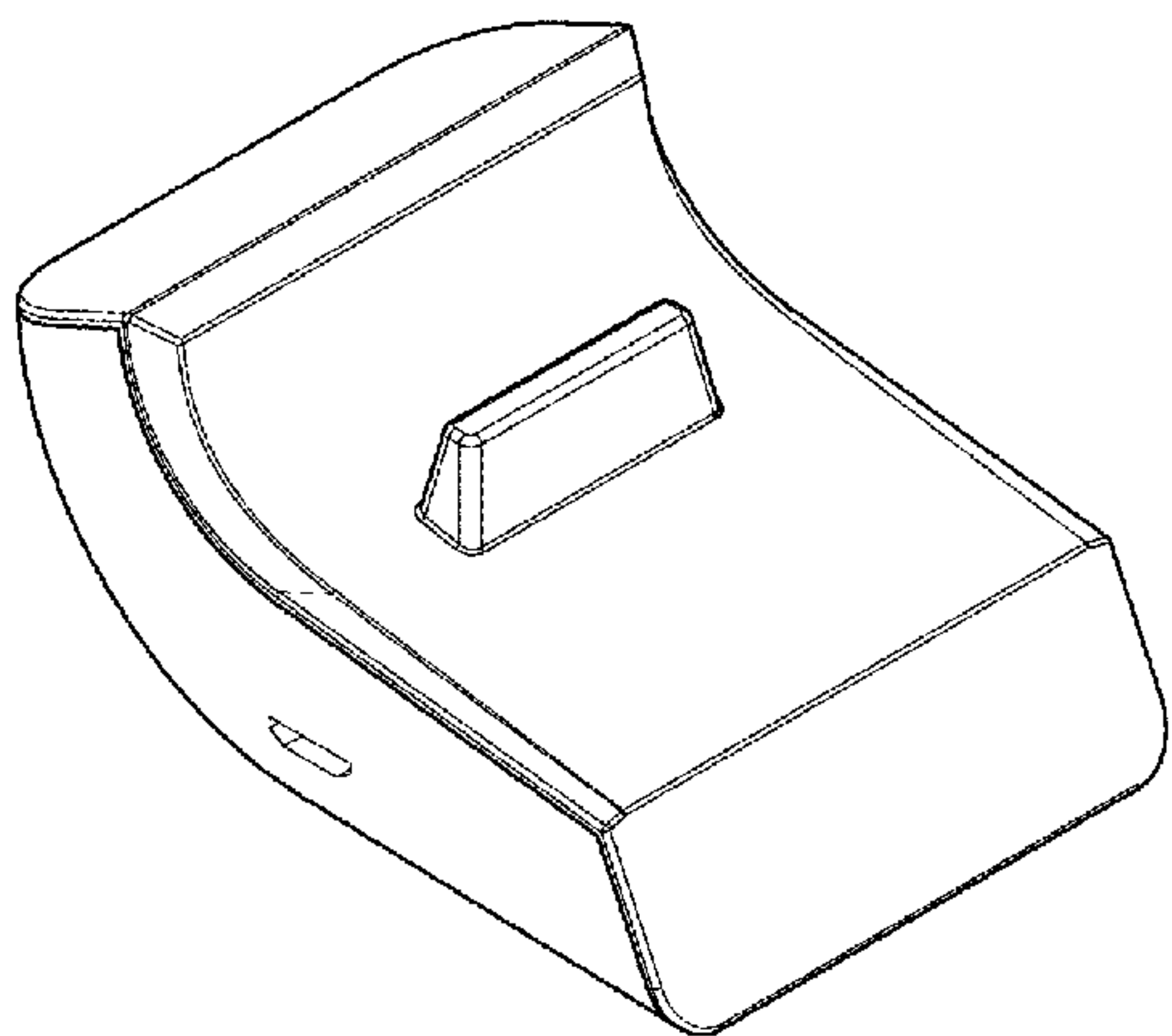
The ornamental design for a cradle for a point-of-sale
terminal, as shown and described.

DESCRIPTION

FIG. 1 is a bottom front perspective view of a cradle for a
point-of-sale terminal according to my new design;
FIG. 2 is a top front perspective view thereof;
FIG. 3 is a second top perspective view thereof;
FIG. 4 is a front view thereof;
FIG. 5 is a rear view thereof;
FIG. 6 is a right side view thereof;
FIG. 7 is a left side view thereof;
FIG. 8 is a top view thereof; and,
FIG. 9 is a bottom view thereof.

The broken lines in the drawings depict parts of the cradle
for the point-of-sale terminal that form no part of the
claimed design.

1 Claim, 4 Drawing Sheets



(56)

References Cited

U.S. PATENT DOCUMENTS

D547,361 S 7/2007 Henry
 D553,106 S * 10/2007 Griffin D14/217
 D554,694 S 11/2007 Slinckx
 D570,402 S 6/2008 Henry
 D572,189 S * 7/2008 Sarnowsky D13/108
 D581,903 S * 12/2008 Joseph D14/214
 D583,315 S * 12/2008 Kujawski D13/107
 D588,985 S * 3/2009 O'Hern D13/107
 D600,680 S * 9/2009 Mead D13/108
 D610,084 S * 2/2010 Christopher D13/107
 D613,685 S * 4/2010 Ju D13/108
 D624,115 S 9/2010 Ausems et al.
 7,868,585 B2 * 1/2011 Sarnowsky H02J 7/0042
 320/108
 D638,012 S 5/2011 Tian et al.
 D638,423 S * 5/2011 Anderson D14/356
 D638,465 S 5/2011 Goldin
 D639,810 S * 6/2011 Hwang D13/107
 D641,004 S * 7/2011 Poandl D14/209.1
 D645,840 S * 9/2011 Silvera D14/171
 D649,932 S * 12/2011 Symons D13/108
 D652,834 S * 1/2012 Jones D14/434
 D655,293 S * 3/2012 Gioscia D14/434
 D660,287 S * 5/2012 McManigal D14/434
 D672,386 S 12/2012 Matunuma et al.
 D674,381 S * 1/2013 Ma D14/253
 D674,392 S * 1/2013 Cheng D14/434
 D676,037 S * 2/2013 Schupsky D14/253
 D679,712 S * 4/2013 McParland D14/434
 D681,036 S 4/2013 Taunay da Graça Couto
 D681,639 S 5/2013 Cruz et al.
 D690,647 S * 10/2013 Huang D13/108
 D698,384 S 1/2014 Cruz
 D703,670 S 4/2014 Rotsaert
 D707,676 S 6/2014 Azuma
 D709,069 S 7/2014 Cruz et al.
 D709,858 S * 7/2014 Kim D14/171
 D716,300 S 10/2014 Cruz et al.
 D716,370 S 10/2014 Park et al.
 D718,722 S 12/2014 Asher et al.
 D726,188 S * 4/2015 Lu D14/434
 D736,211 S * 8/2015 Kirkpatrick G06F 1/20
 D14/434
 D741,847 S * 10/2015 Jeon D14/253
 D743,966 S * 11/2015 Izen D14/434
 D751,636 S 3/2016 Kinoshita et al.
 D758,481 S 6/2016 Medugorac et al.
 D760,724 S * 7/2016 Kang D14/447

D760,835 S 7/2016 Takahashi
 D766,891 S 9/2016 Hong et al.
 D769,186 S * 10/2016 Yang D13/108
 D781,372 S * 3/2017 Floersch D18/12
 D781,847 S 3/2017 Kim et al.
 D782,411 S * 3/2017 Mischke D13/108
 D783,576 S * 4/2017 Bristol D14/217
 D785,564 S * 5/2017 Lee D13/108
 D787,510 S 5/2017 Kitade
 D788,031 S * 5/2017 Holzer D13/107
 D788,103 S 5/2017 Kim et al.
 D790,536 S 6/2017 Kitade
 D795,875 S * 8/2017 Kim D14/433
 D795,876 S * 8/2017 Fletcher D14/434
 D797,106 S 9/2017 Paolizzi et al.
 D799,494 S * 10/2017 Lee D14/447
 D801,922 S * 11/2017 Morenstein D13/108
 D806,024 S * 12/2017 Swen D13/108
 D806,158 S * 12/2017 Yaginuma D18/4.4
 D818,994 S * 5/2018 Yun D14/224
 10,042,389 B2 * 8/2018 Hsieh G06F 1/1632
 D835,078 S * 12/2018 Yun D13/108
 D835,079 S * 12/2018 Yun D13/108
 D835,611 S * 12/2018 Yun D13/108
 2002/0078248 A1 * 6/2002 Janik G06F 1/1632
 709/252
 2002/0145850 A1 * 10/2002 Chang B60R 11/02
 361/679.41
 2002/0181054 A1 * 12/2002 Kaji G06F 1/1632
 398/140
 2007/0046254 A1 * 3/2007 Chen H02J 7/0055
 320/107
 2016/0253668 A1 9/2016 Lee
 2017/0061746 A1 3/2017 Tanaka

OTHER PUBLICATIONS

Charging stations. (Design -©Questel) orbit.com.[online PDF] 4 pgs. Print Date through Aug. 30, 2018. [Retrieved on Jan. 3, 2019] <https://sobjprd.questel.fr/export/QPTUJ214/pdf2/e8da01f8-57bb-4ffa-8dfa-cb716245643d-235225.pdf>.
 Automatic vending machine. (Design ©Questel). orbit.com.[online PDF] Print Date Aug. 15, 2016. [Retrieved on Oct. 5, 2017] <https://sobjprd.questel.fr/export/QPTUJ214/pdf2/d82900a2-9963-4b24-bd18-e60391e8a5d9-164452.pdf> (5 pages).
 Cielo-POS-01-810x573. agenciama.com. [online img] Uploaded Oct. 2016. [Retrieved on Oct. 5, 2017] <http://www.agenciama.com.br/wp-content/uploads/2016/10/Cielo-POS-01-810x573.jpg> (1 page).

* cited by examiner

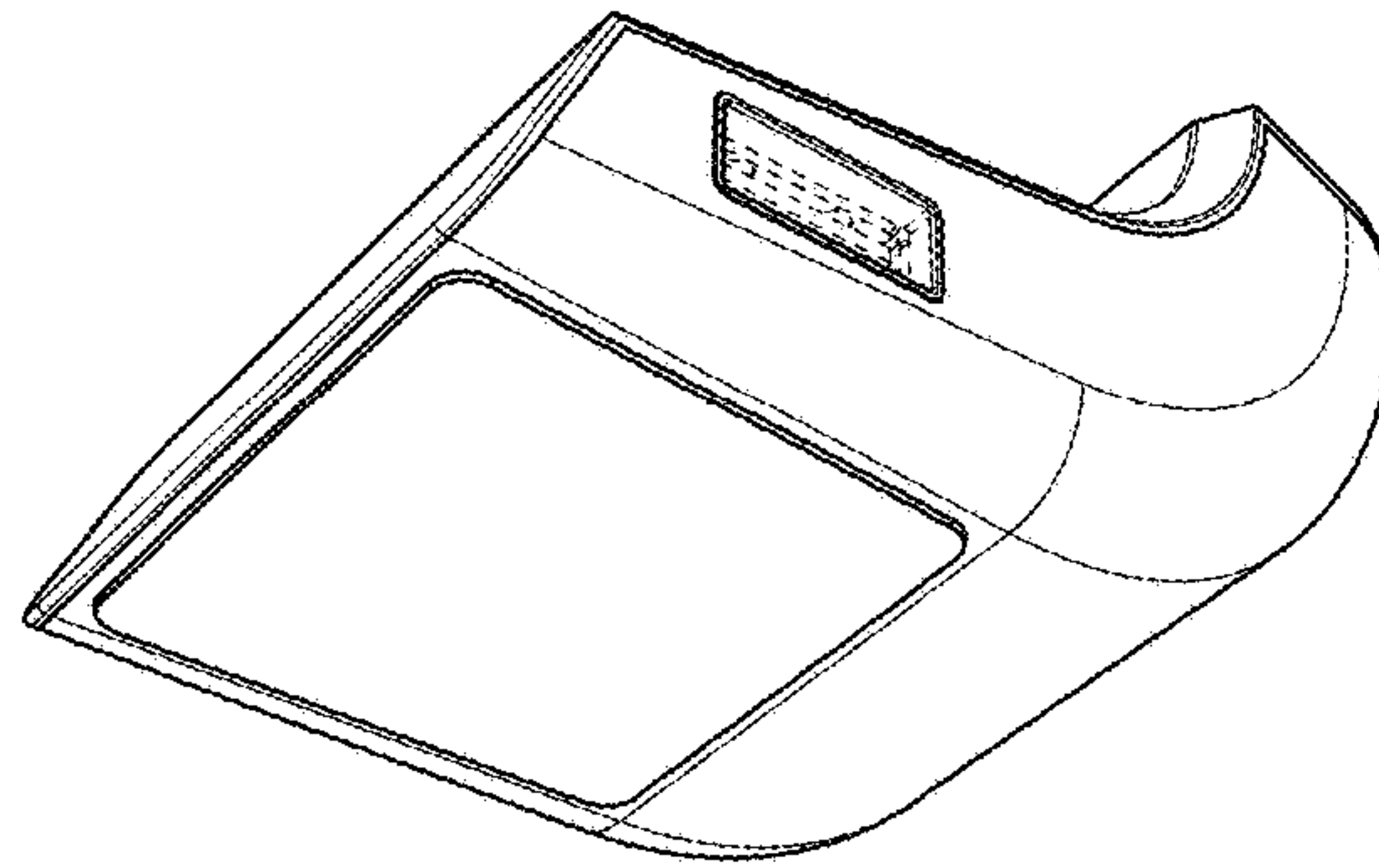


FIG. 1

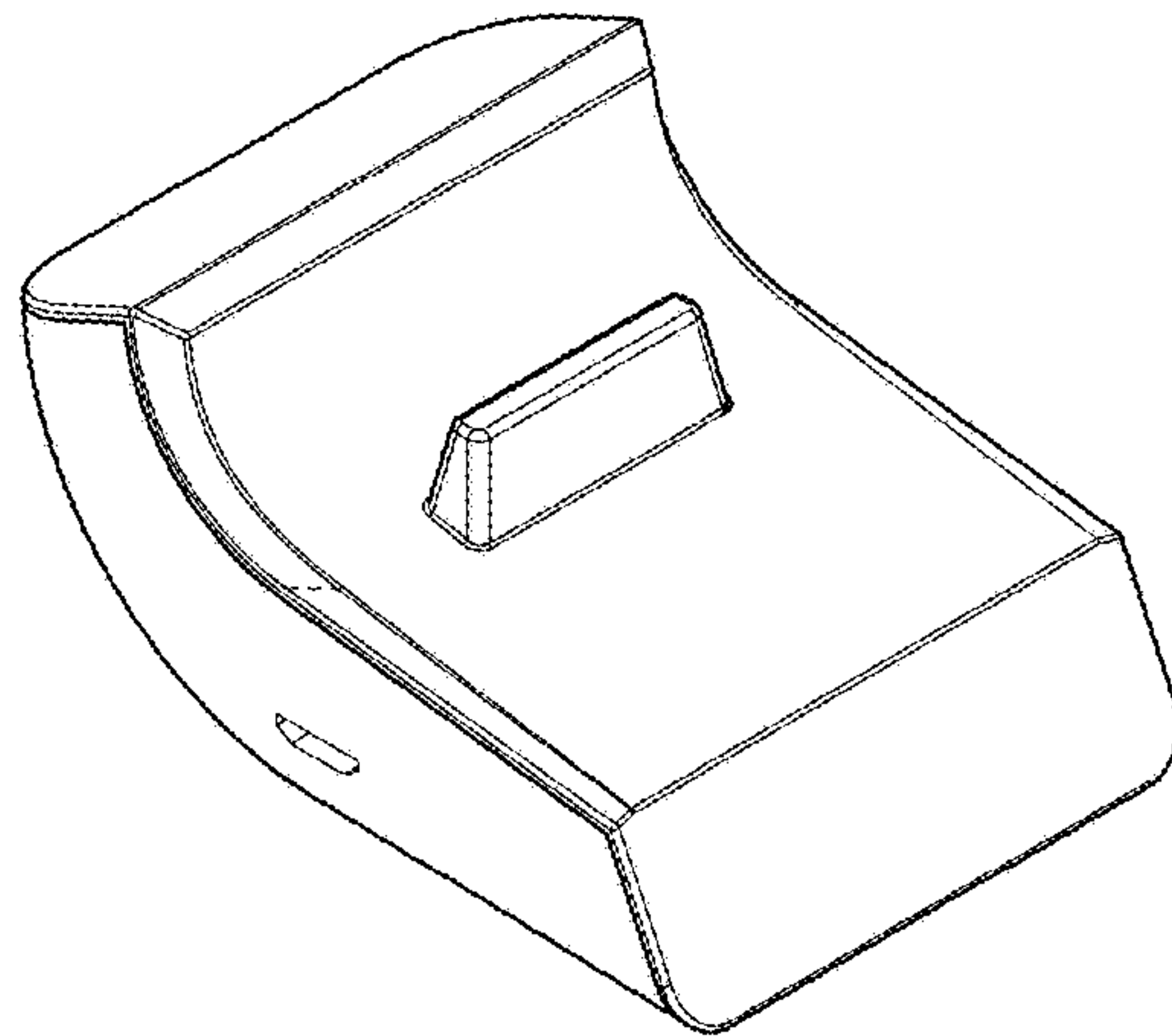


FIG. 2

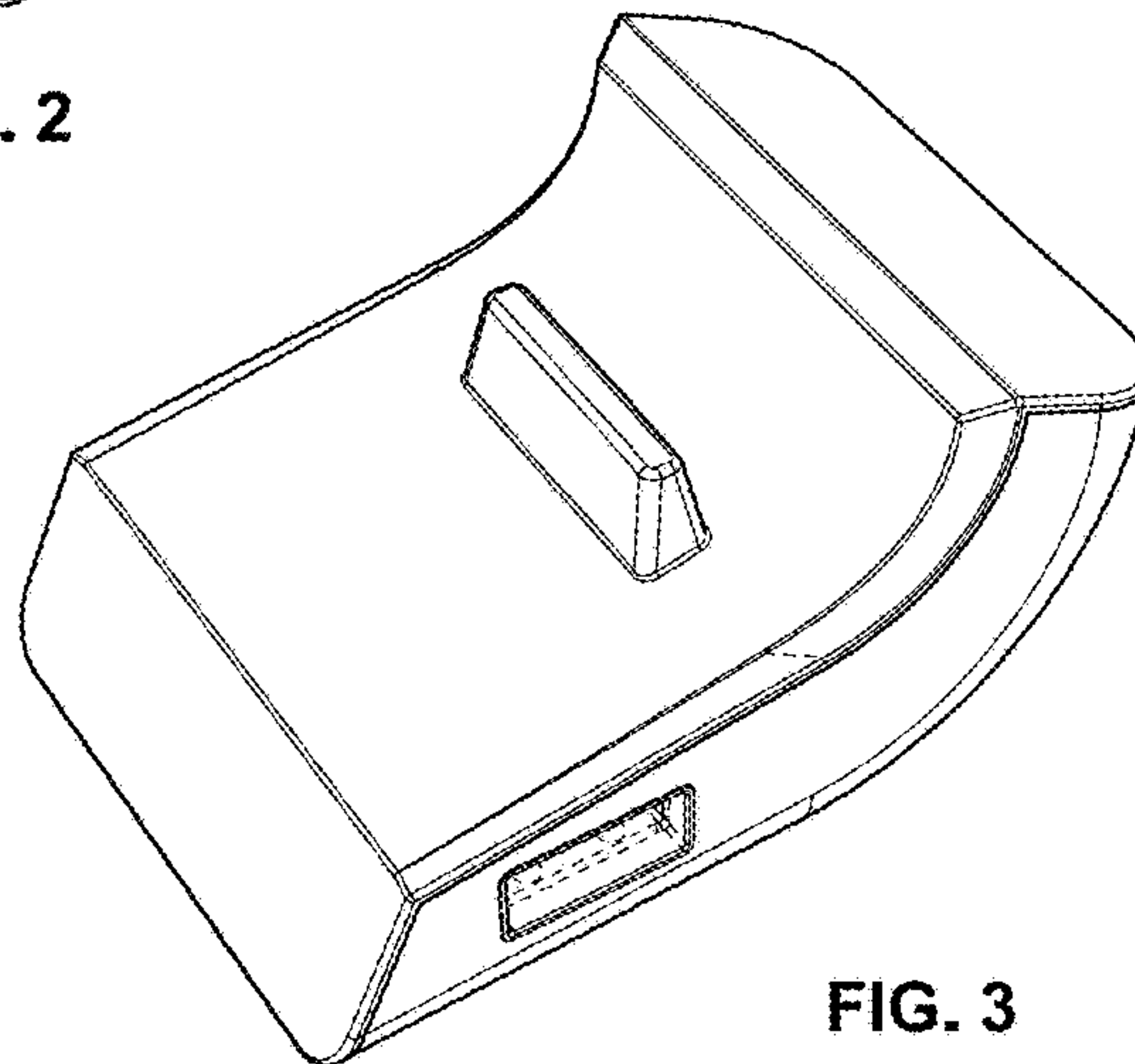


FIG. 3

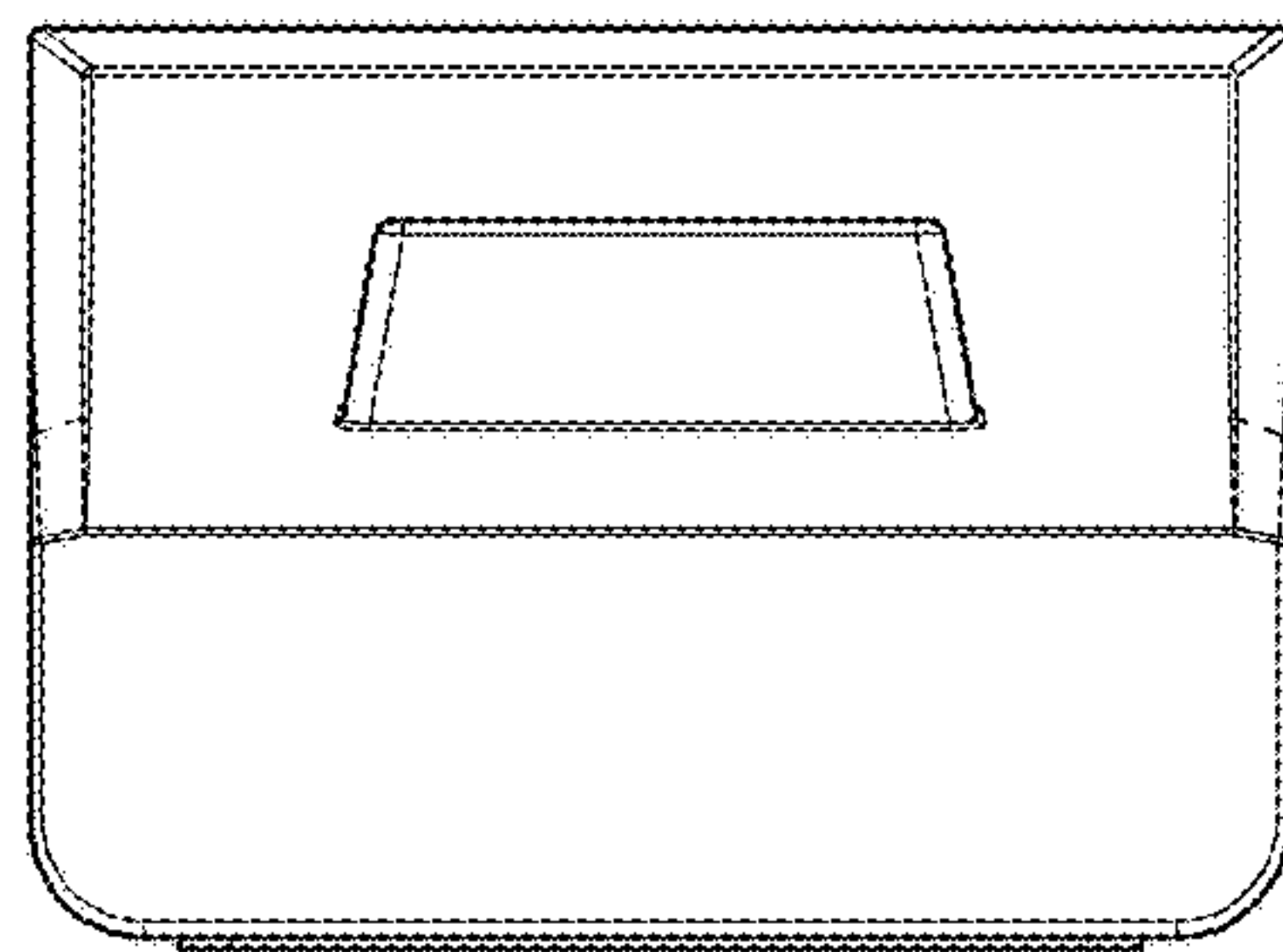


FIG. 4

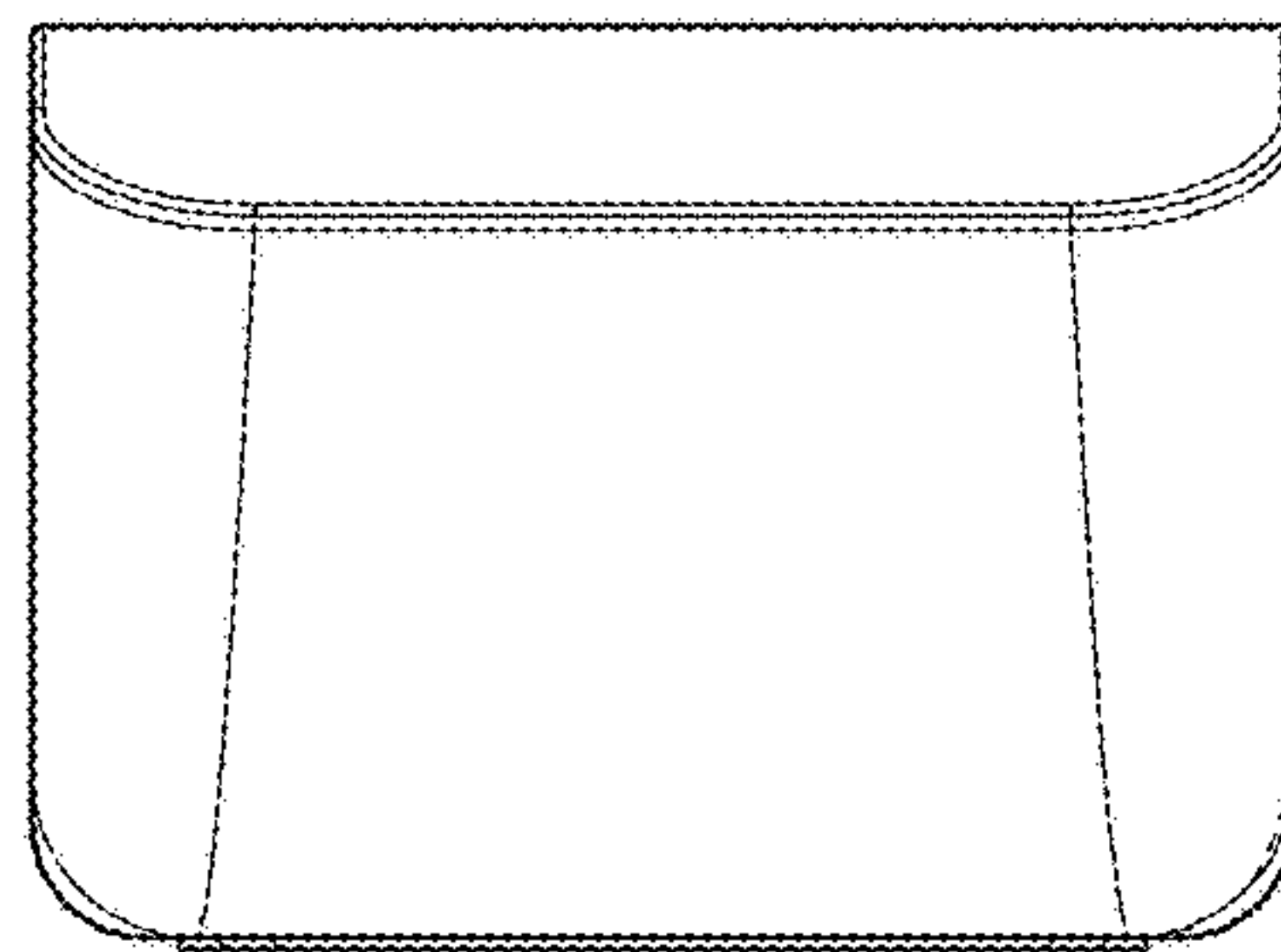


FIG. 5

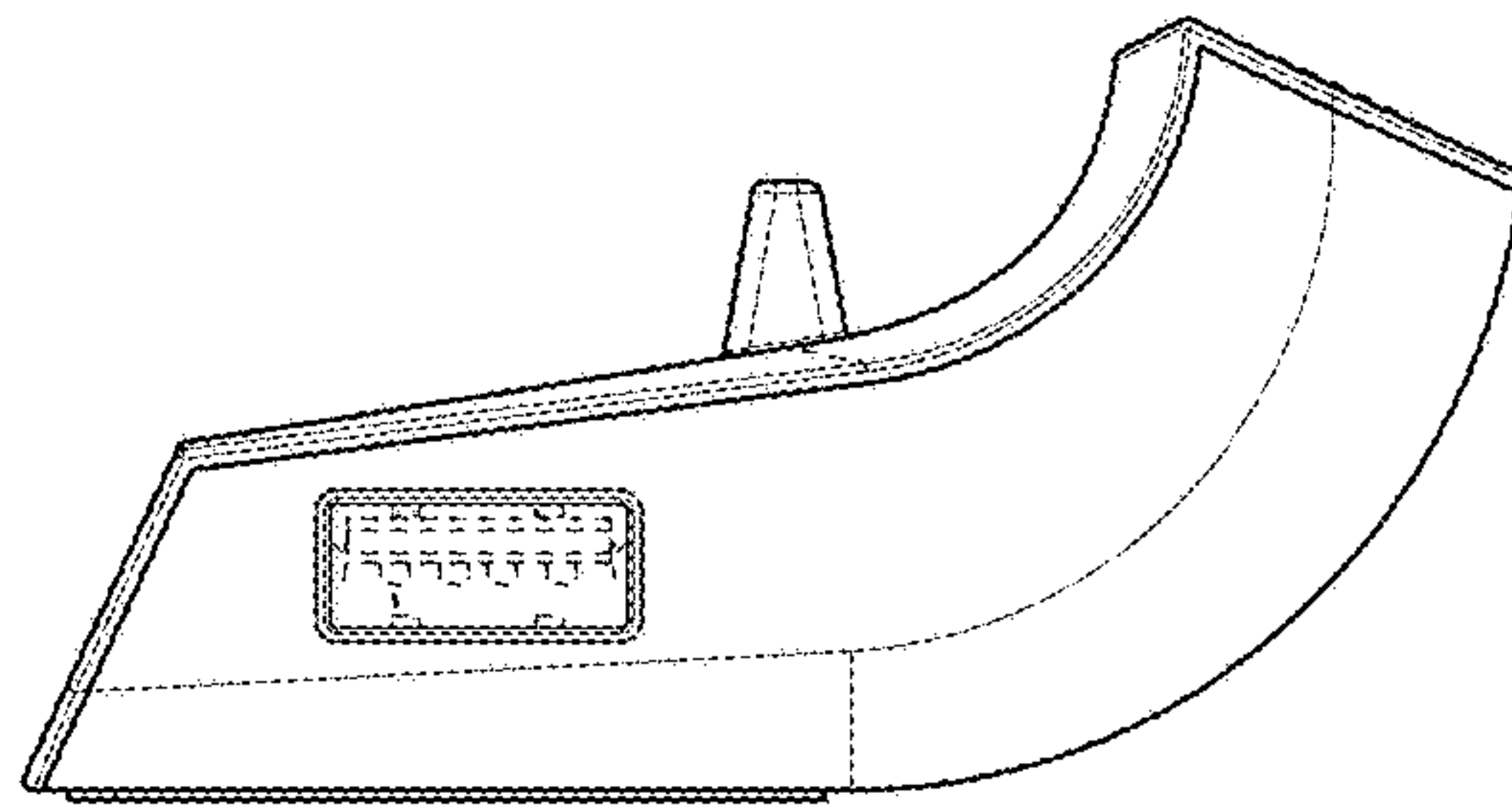


FIG. 6

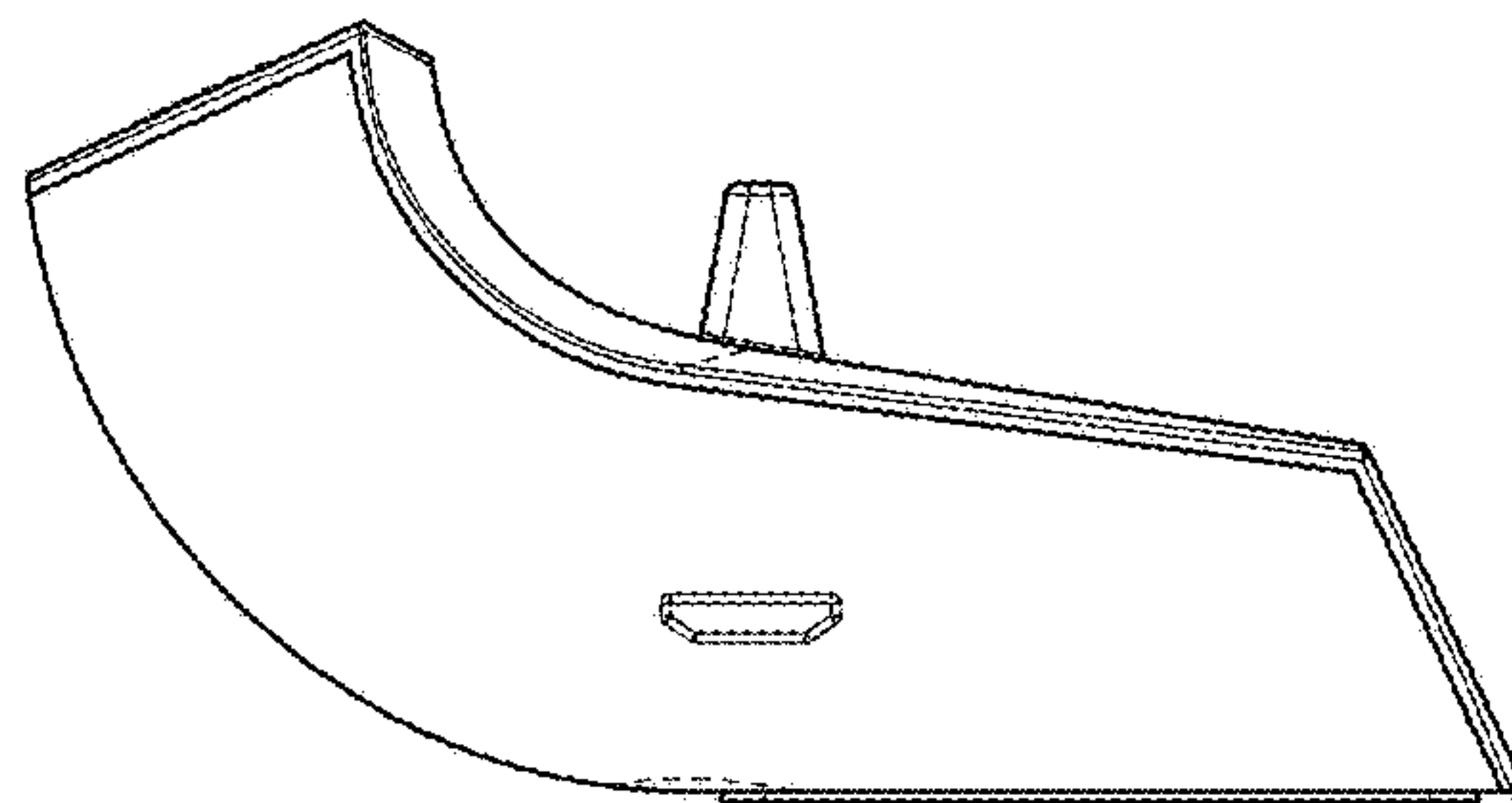


FIG. 7

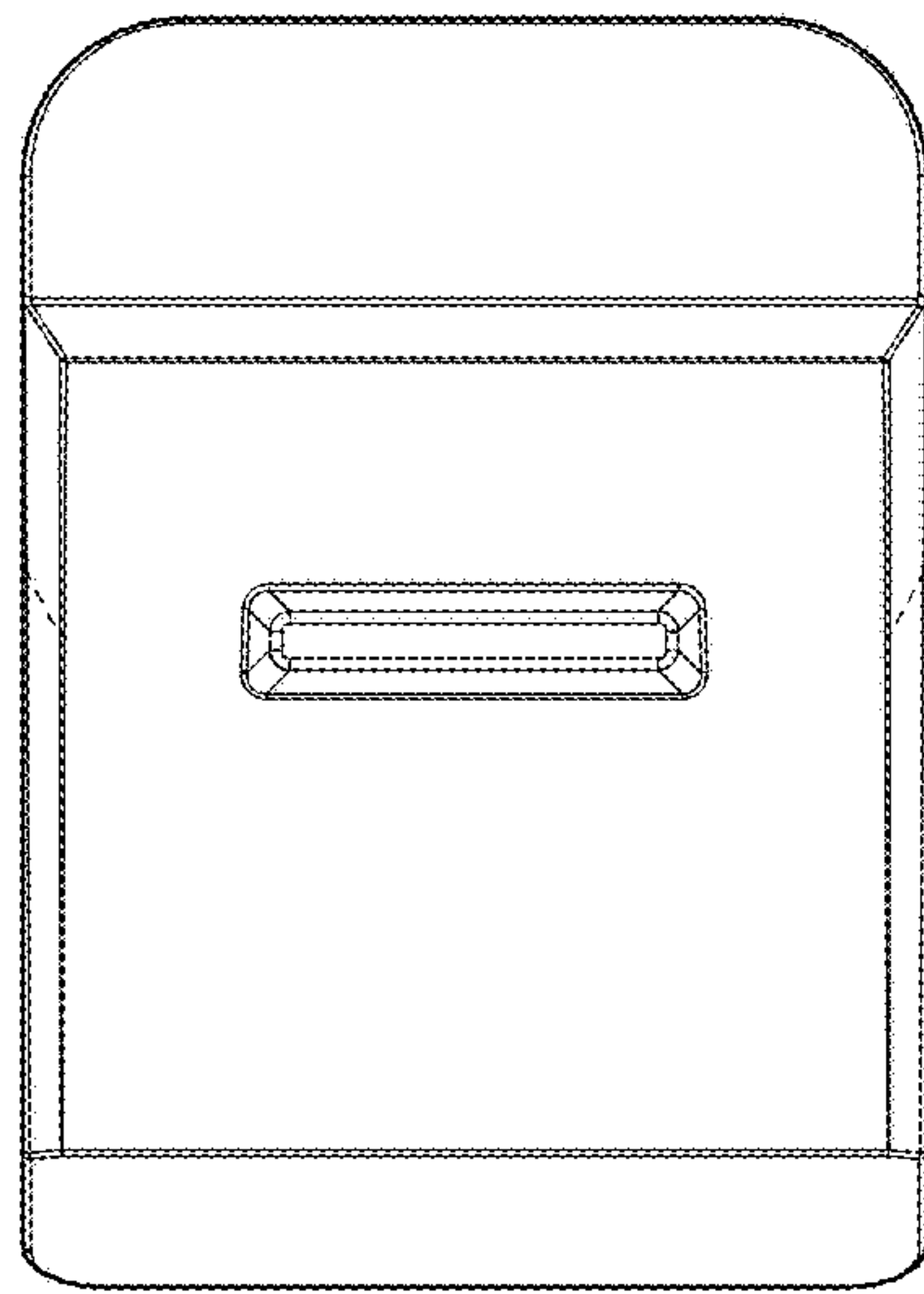


FIG. 8

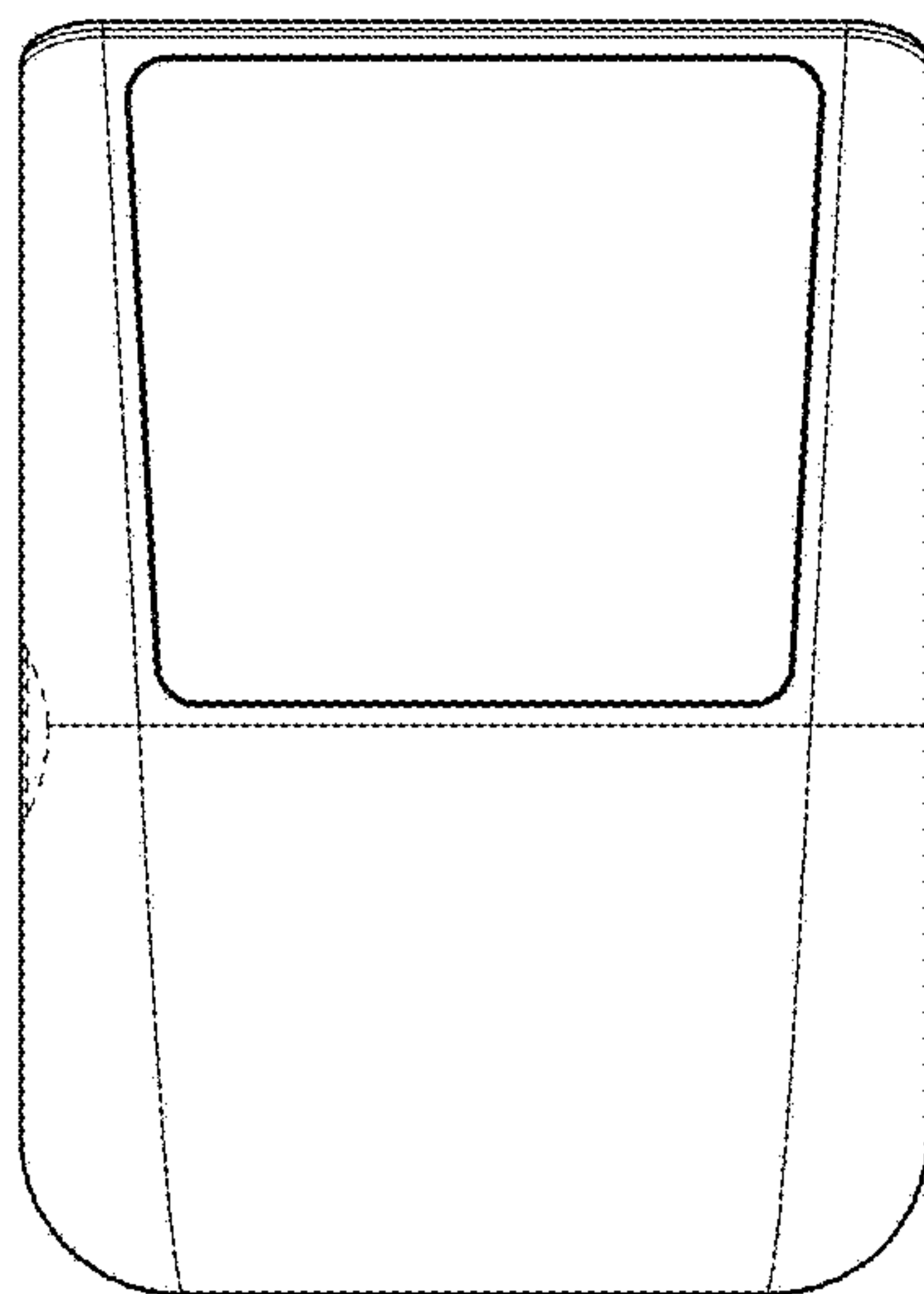


FIG. 9