



US00D849125S

(12) **United States Design Patent** (10) **Patent No.:** **US D849,125 S**
Voss (45) **Date of Patent:** **** May 21, 2019**

(54) **DISPLAY FOR CAMERA HOLDER**

(71) Applicant: **Arnold & Richter Cine Technik GmbH & Co. Betriebs KG, Munich (DE)**

(72) Inventor: **Hendrik Voss, Munich (DE)**

(73) Assignee: **Arnold & Richter Cine Technik GmbH & Co. Betriebs KG, Munich (DE)**

(**) Term: **15 Years**

(21) Appl. No.: **29/580,840**

(22) Filed: **Oct. 13, 2016**

(30) **Foreign Application Priority Data**

Apr. 15, 2016 (EM) 03070259

(51) **LOC (11) Cl.** **16-05**

(52) **U.S. Cl.**
USPC **D16/243; D16/242**

(58) **Field of Classification Search**
USPC D8/354, 355, 363, 373, 382-383, D8/394-396; D14/224, 229, 238, 251, D14/447, 451, 457; D16/219, 237-250
See application file for complete search history.

(56) **References Cited**

U.S. PATENT DOCUMENTS

3,913,116 A 10/1975 Kastner et al.
D366,887 S * 2/1996 Wood D16/242
D382,288 S * 8/1997 Usui D16/245
D454,479 S * 3/2002 Kolpin D8/349
6,724,429 B2 4/2004 Shore et al.
D492,577 S * 7/2004 Shindo D8/354
D495,714 S * 9/2004 Pfister D14/451
D553,959 S * 10/2007 Brassard D8/363
D604,345 S * 11/2009 Camp D15/134

8,393,735 B2 3/2013 Bar et al.
D713,440 S * 9/2014 Zhan D16/237
D738,951 S * 9/2015 Coyle D16/237
D744,321 S * 12/2015 Boynton D8/363
D772,970 S * 11/2016 Balmer D12/114
D794,109 S * 8/2017 Zheng D16/242
D795,328 S * 8/2017 Martin D16/242
2007/0031143 A1 2/2007 Riccardi
2007/0172224 A1 7/2007 Yuki take et al.

(Continued)

FOREIGN PATENT DOCUMENTS

DE 202009018991 U1 3/2015
GB 2345606 B 2/2003

OTHER PUBLICATIONS

Aputure V-Grip VG-1, User Manual for a USB Focus Handle dated Feb. 8, 2014.

(Continued)

Primary Examiner — Garth Rademaker

Assistant Examiner — Melvin L Davis

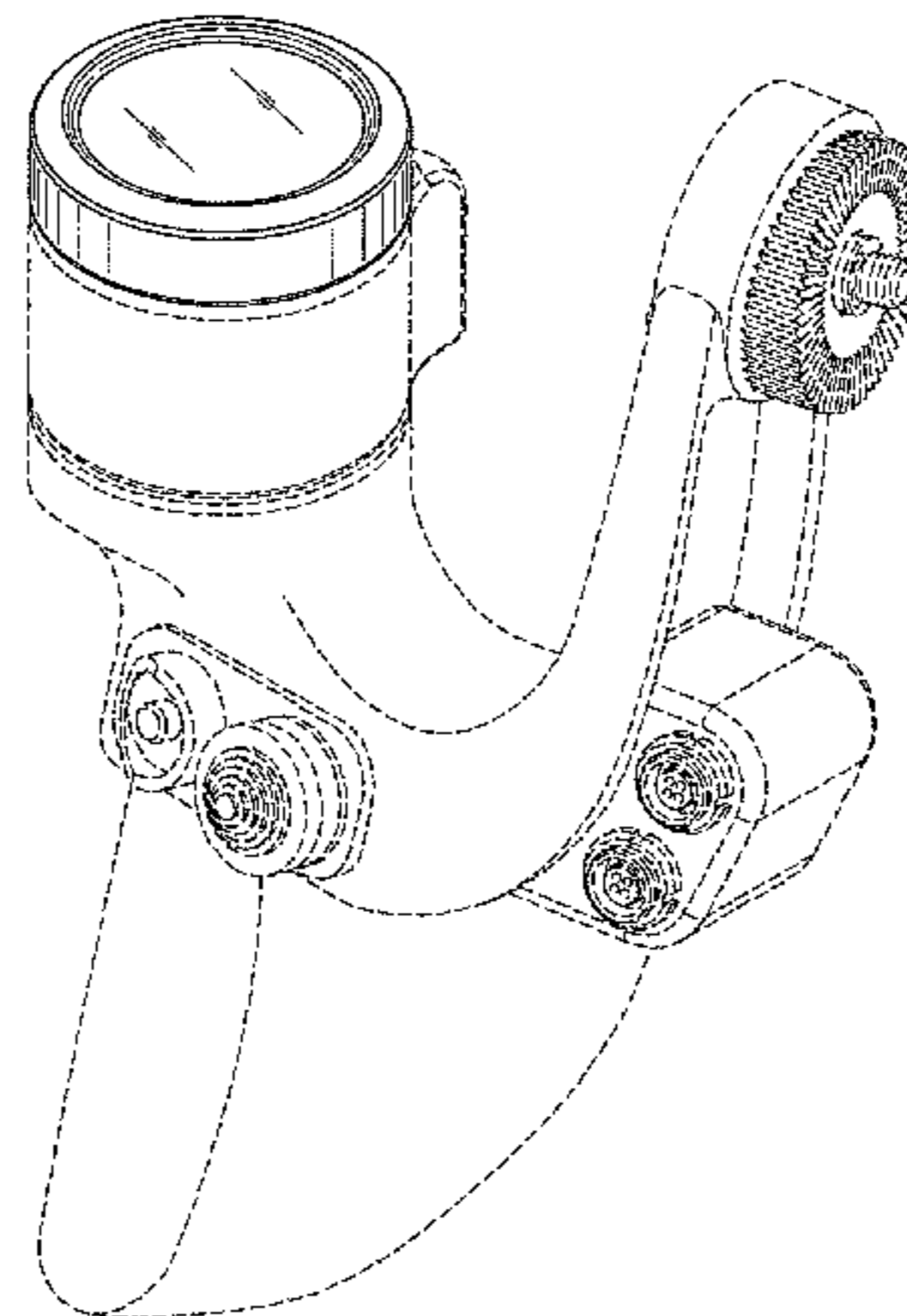
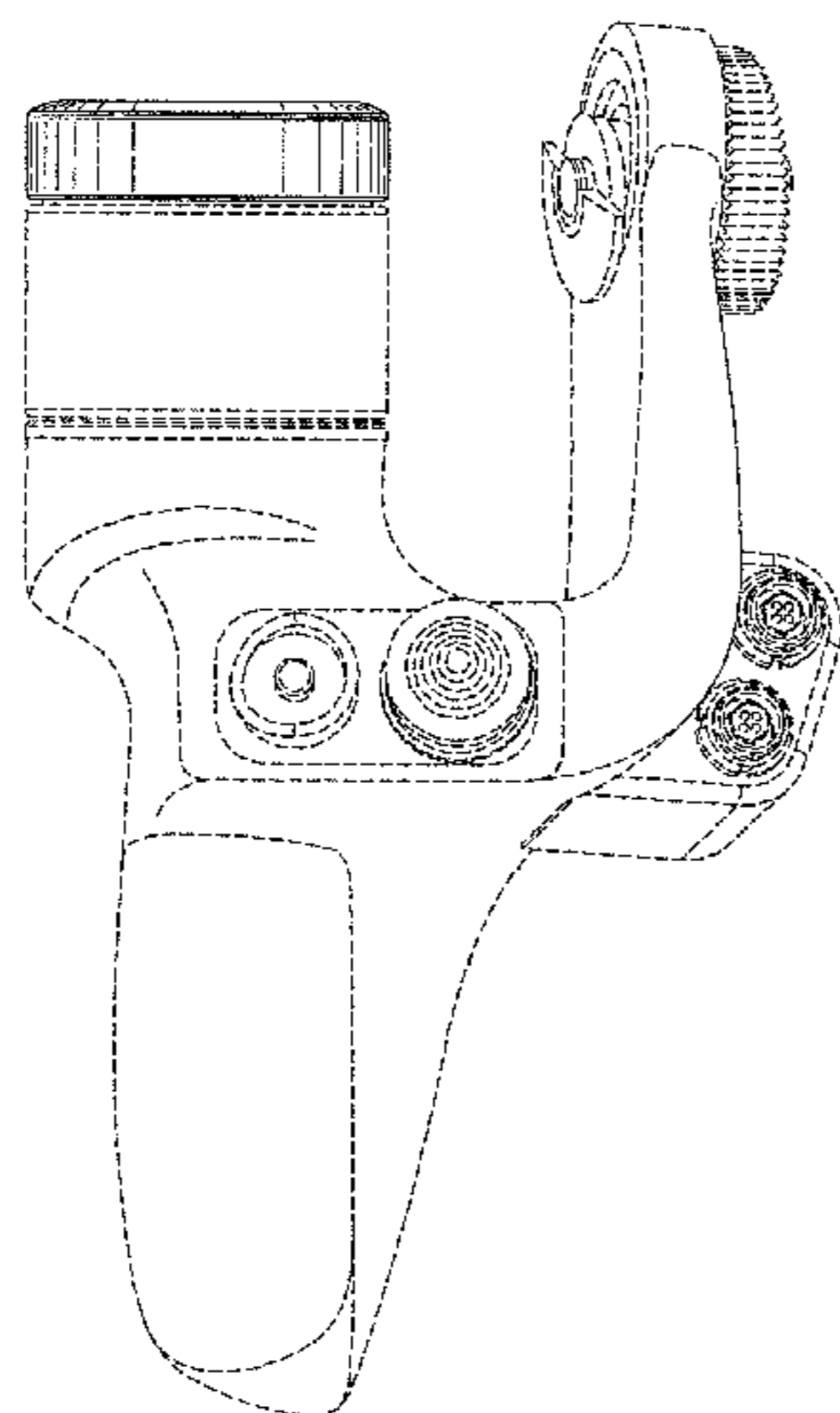
(57) **CLAIM**

The ornamental design for a display for camera holder, as shown and described.

DESCRIPTION

FIG. 1 shows a front view;
FIG. 2 shows a rear view;
FIG. 3 shows a right side view;
FIG. 4 shows a left side view;
FIG. 5 shows a top view;
FIG. 6 shows a bottom view;
FIG. 7 shows a perspective view; and,
FIG. 8 shows another perspective view.
The broken lines depicts portions of the article that form no part of the claimed design.

1 Claim, 8 Drawing Sheets



(56)

References Cited

U.S. PATENT DOCUMENTS

2008/0122796 A1 5/2008 Jobs et al.
2008/0239142 A1 10/2008 Suzuki
2009/0003822 A1 1/2009 Tyner
2016/0188152 A1 6/2016 Chou et al.

OTHER PUBLICATIONS

Photos from the internet retrieved prior to Mar. 4, 2016 (Zacuto Control Grip, Sony FS7 Small Grip, Panasonic Varicam LT Handgrip, CineGrips).

Product brochure Denz Digital Zoom Control DLC-01 (retrieved prior to Apr. 4, 2016).

* cited by examiner

FIGURE 1

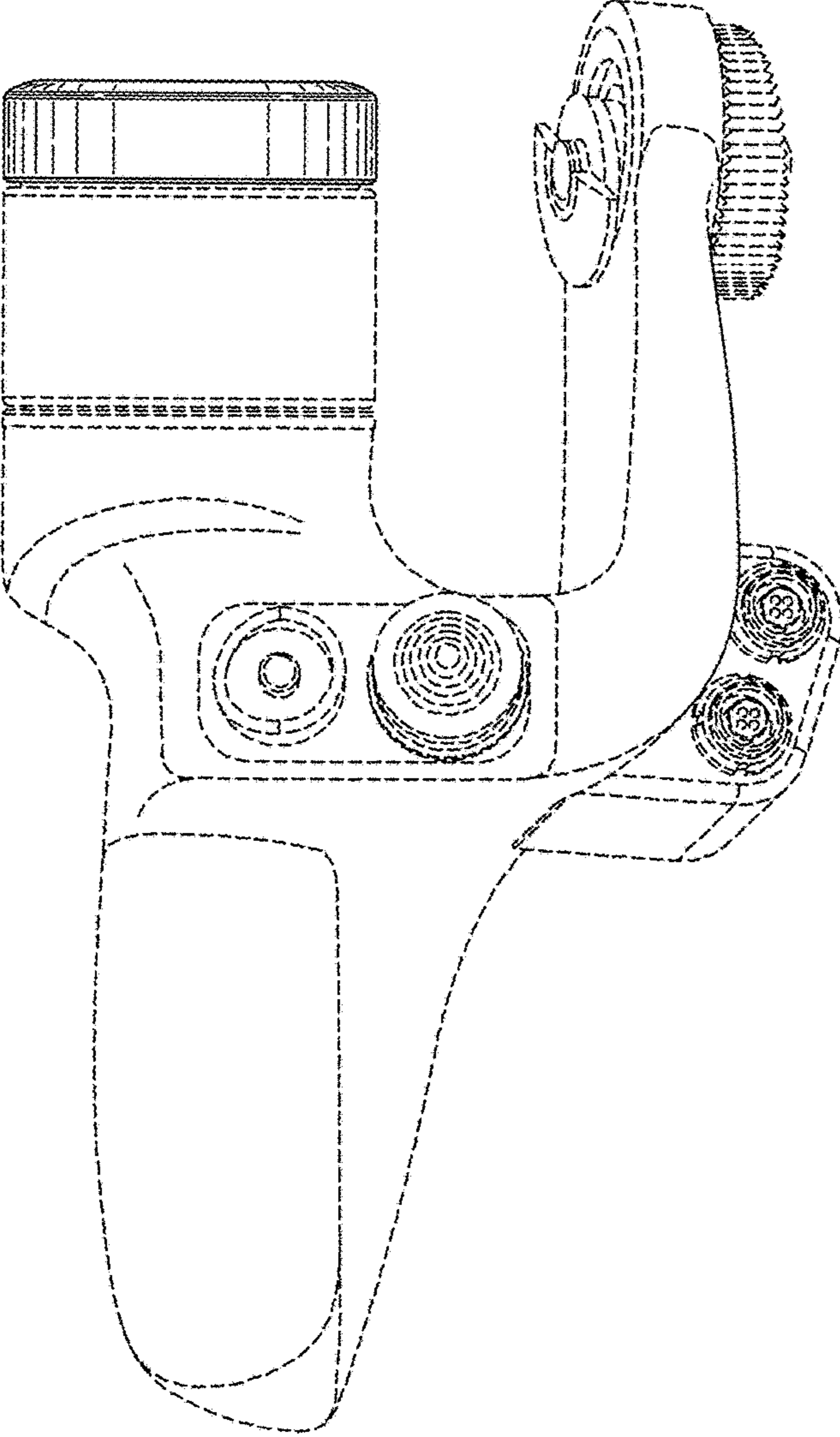


FIGURE 2

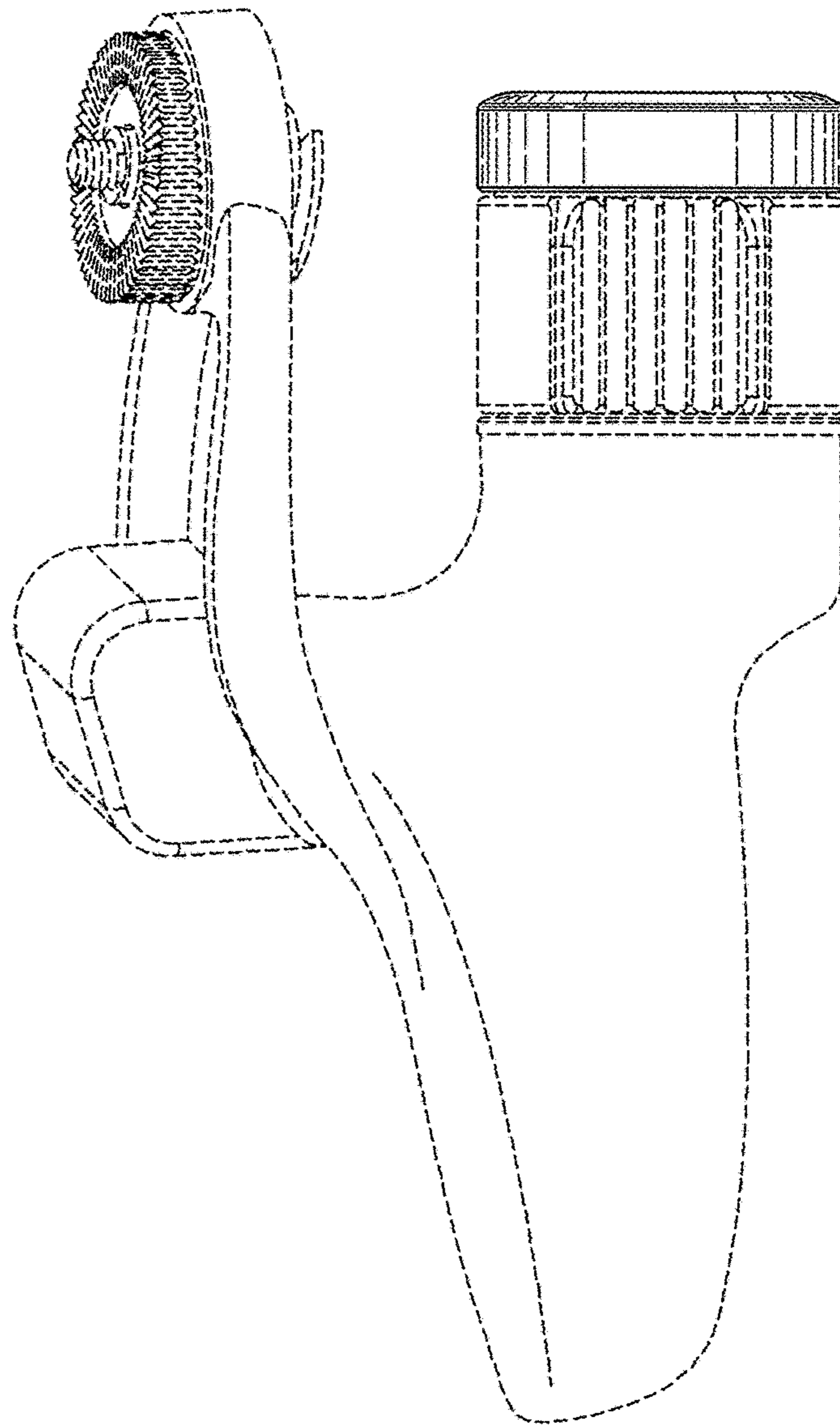


FIGURE 3

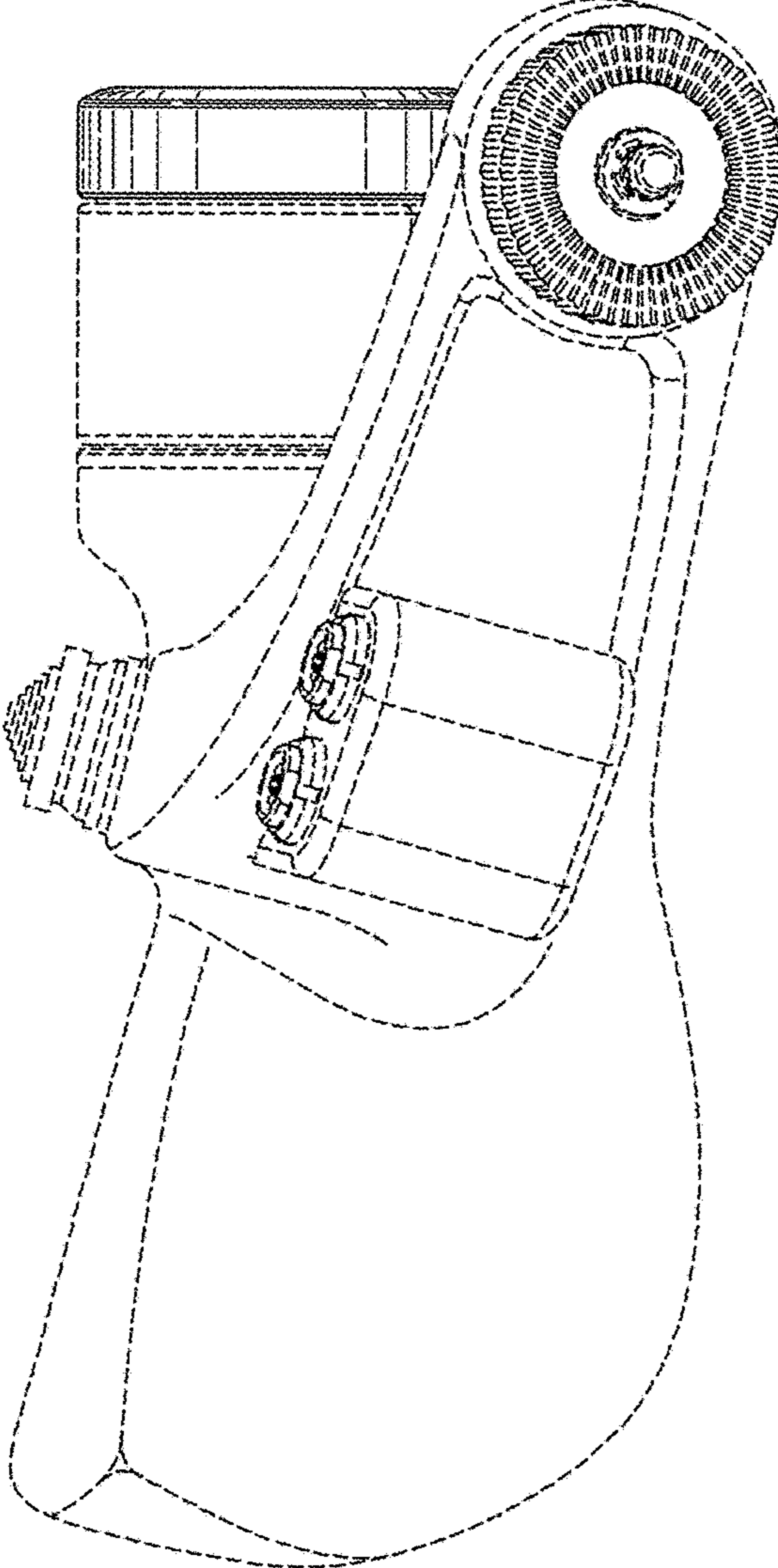


FIGURE 4

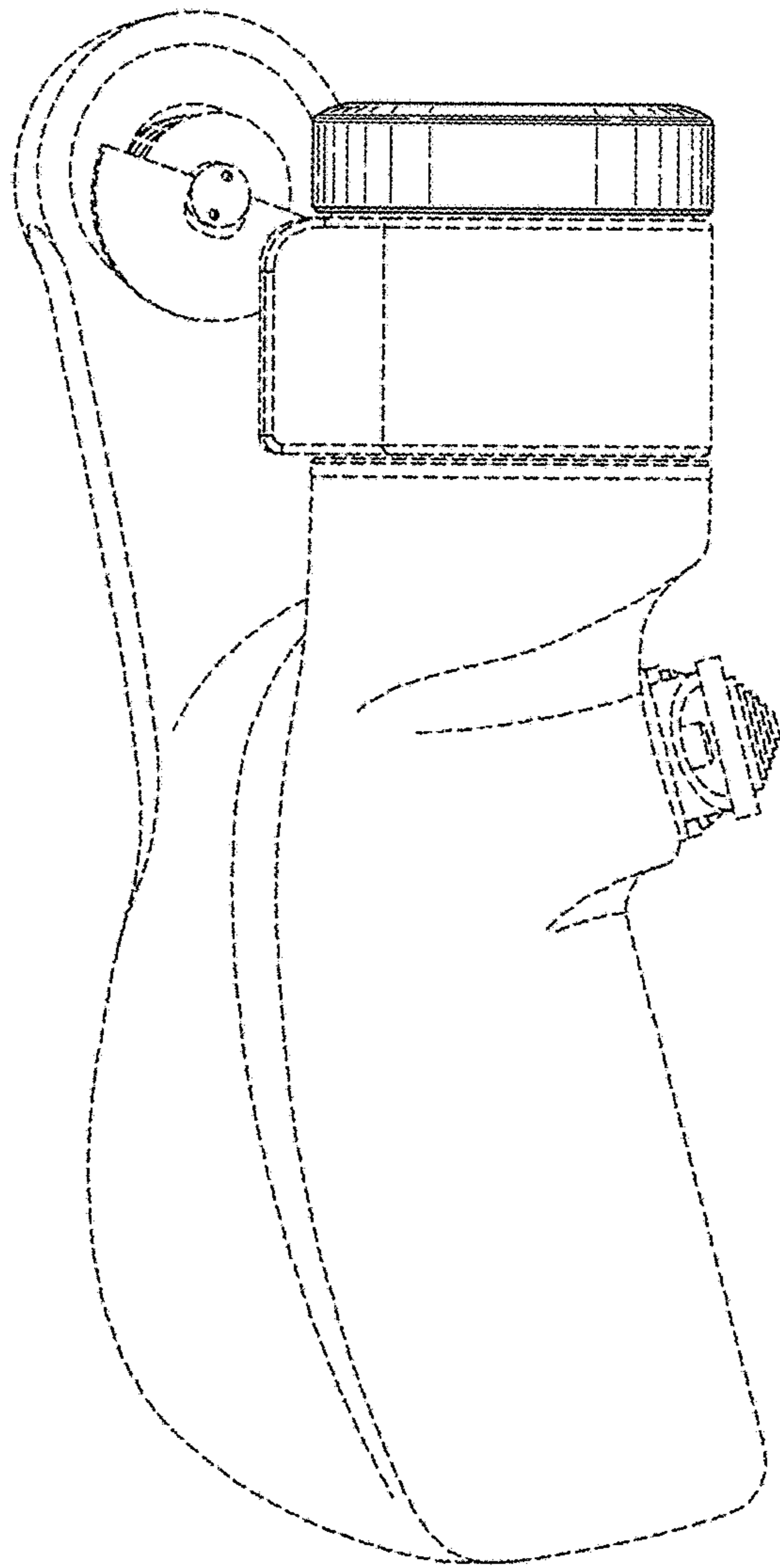


FIGURE 5

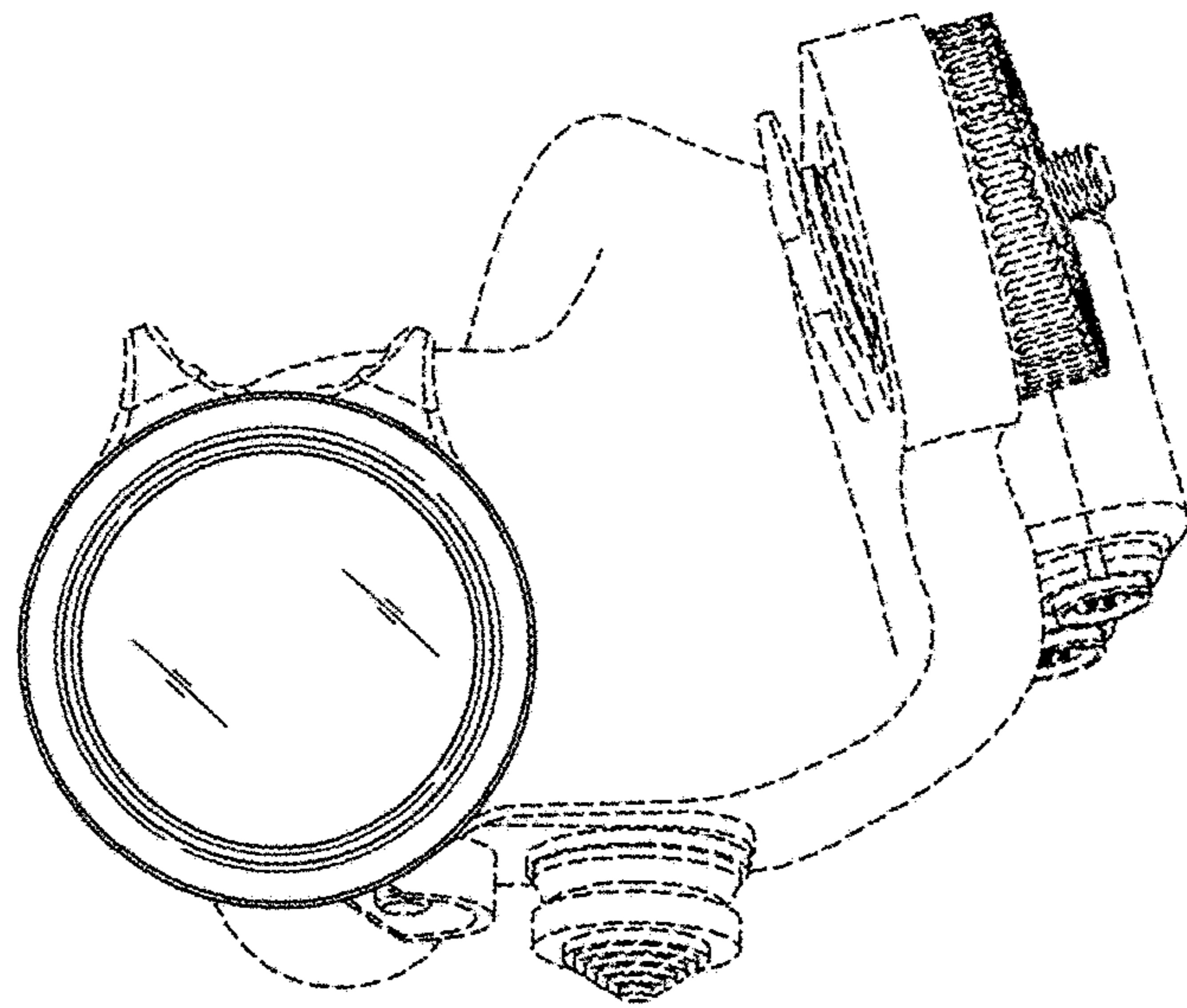


FIGURE 6

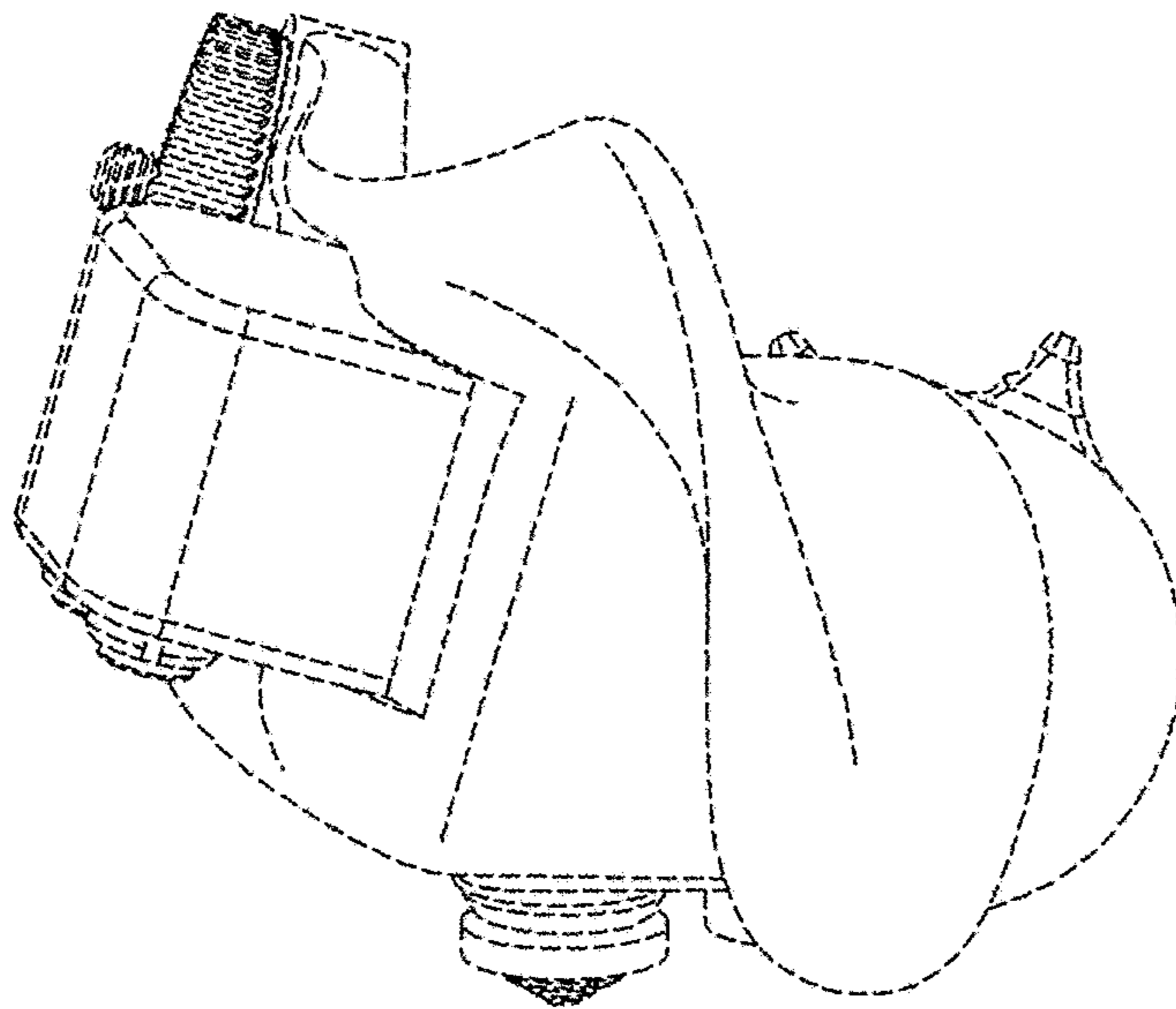


FIGURE 7

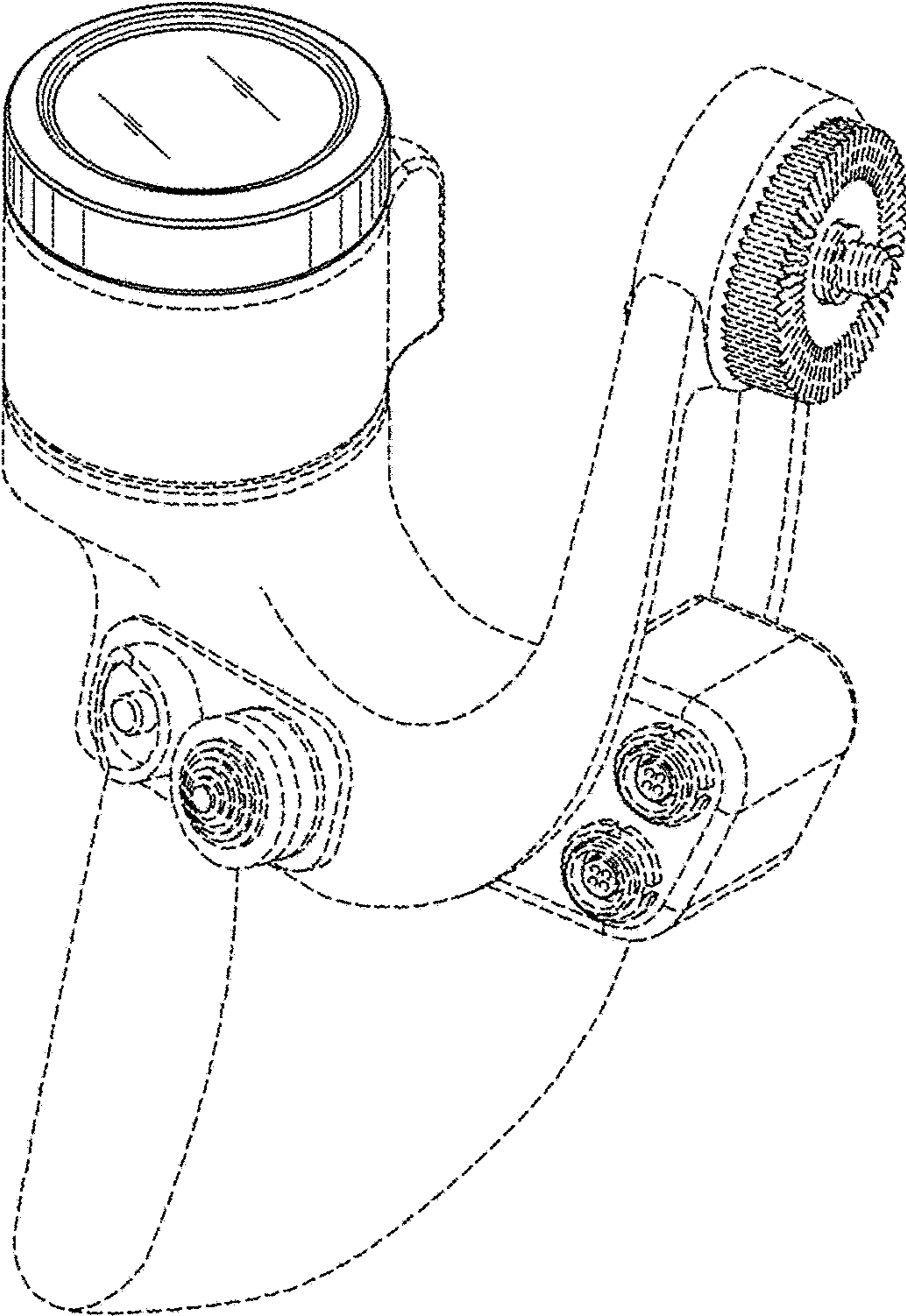


FIGURE 8

