



US00D849122S

(12) **United States Design Patent**
Tajima

(10) **Patent No.:** **US D849,122 S**

(45) **Date of Patent:** **** May 21, 2019**

(54) **STROBE HOLDING JOINT FOR CAMERA**

(71) Applicant: **OLYMPUS CORPORATION**,
Hachioji-shi, Tokyo (JP)

(72) Inventor: **Kenji Tajima**, Hachioji (JP)

(73) Assignee: **OLYMPUS CORPORATION**, Tokyo
(JP)

(**) Term: **15 Years**

(21) Appl. No.: **29/580,412**

(22) Filed: **Oct. 7, 2016**

(30) **Foreign Application Priority Data**

Aug. 9, 2016 (JP) 2016-017090

(51) **LOC (11) Cl.** **16-05**

(52) **U.S. Cl.**
USPC **D16/237**

(58) **Field of Classification Search**

USPC D16/200, 202-205, 218, 219, 237-240,
D16/250; 348/373-376; 362/4, 16-18;
396/4, 61, 155, 544, 535, 539-541
CPC G03B 17/02; G03B 19/04; G03B 17/56;
G03B 17/04; G03B 15/03; G03B 17/14;
H04N 5/2251; H04N 5/2252; H04N
5/2253; H04N 5/2254; G02B 7/02; G02B
7/04; G02B 7/14

See application file for complete search history.

(56) **References Cited**

U.S. PATENT DOCUMENTS

D263,720 S * 4/1982 Takematsu D16/240
4,816,854 A * 3/1989 Tsuji G03B 15/05
315/241 P

D342,753 S * 12/1993 Haga D16/239
5,565,941 A * 10/1996 Kaneko G03B 15/05
396/155
5,794,082 A * 8/1998 Matsui G03B 15/05
396/171
D453,351 S * 2/2002 Kitera D16/239
D502,488 S * 3/2005 Miyashita D16/239
D689,538 S * 9/2013 Sato D16/239
D701,553 S * 3/2014 Sanhui D16/239
D703,723 S * 4/2014 Soejima D16/239
D741,395 S * 10/2015 Oh D16/239

* cited by examiner

Primary Examiner — Ramzi S Almatrahi

(74) *Attorney, Agent, or Firm* — Holtz, Holtz & Volek PC

(57) **CLAIM**

The ornamental design for a strobe holding joint for camera,
as shown and described.

DESCRIPTION

FIG. 1 is a front, top and left side perspective view of a
strobe holding joint for camera showing my new design;
FIG. 2 is a rear, bottom and right side perspective view
thereof;

FIG. 3 is a front elevational view thereof;

FIG. 4 is a rear elevational view thereof;

FIG. 5 is a top plan view thereof;

FIG. 6 is a bottom plan view thereof;

FIG. 7 is a right side elevational view thereof;

FIG. 8 is a left side elevational view thereof; and,

FIG. 9 is a top plan view thereof, shown in a condition of use
with a camera disclosed in broken lines to illustrate an
environment.

The broken lines showing a camera in FIG. 9 represent
environmental structure and form no part of the claimed
design.

1 Claim, 6 Drawing Sheets

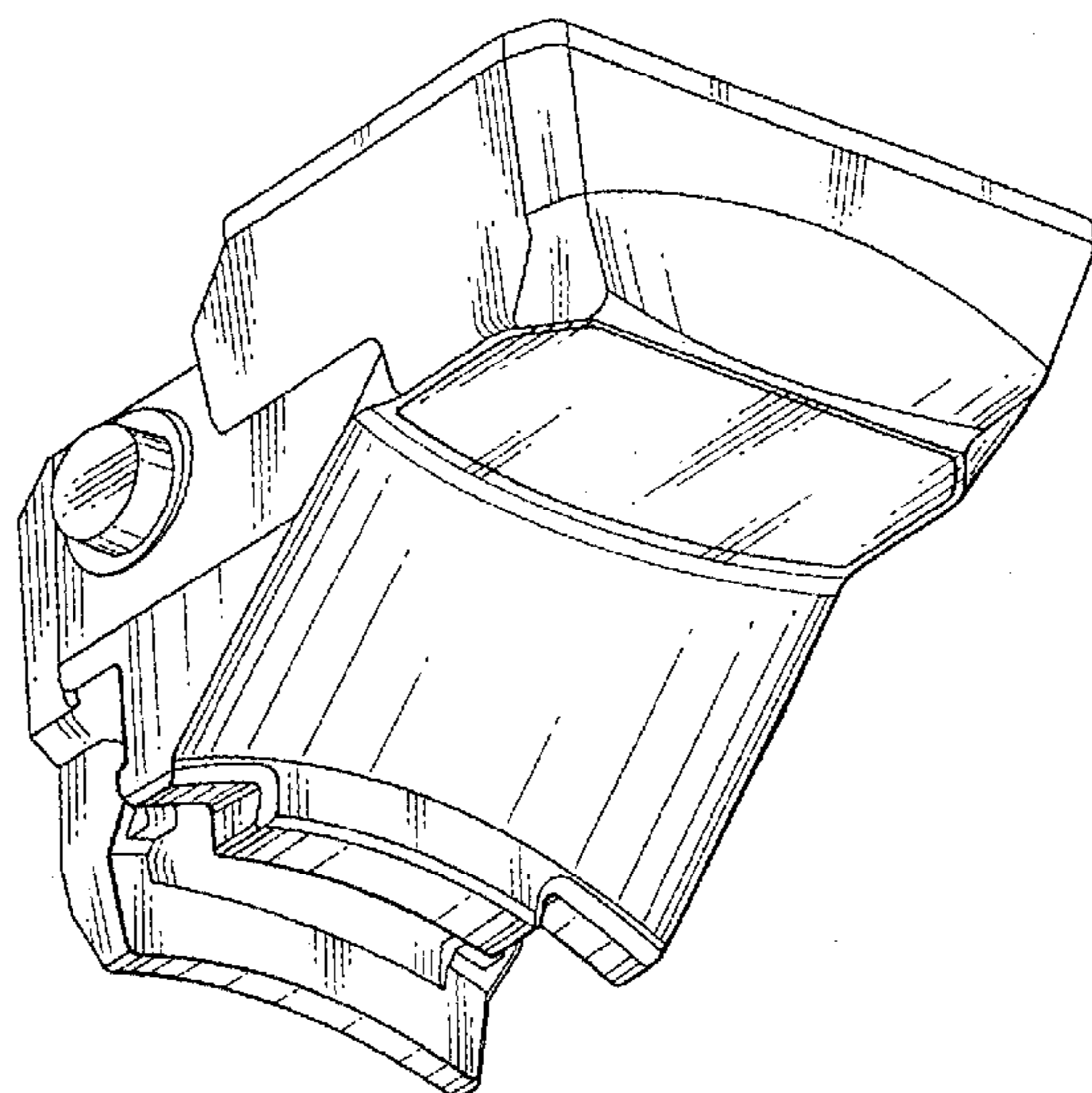
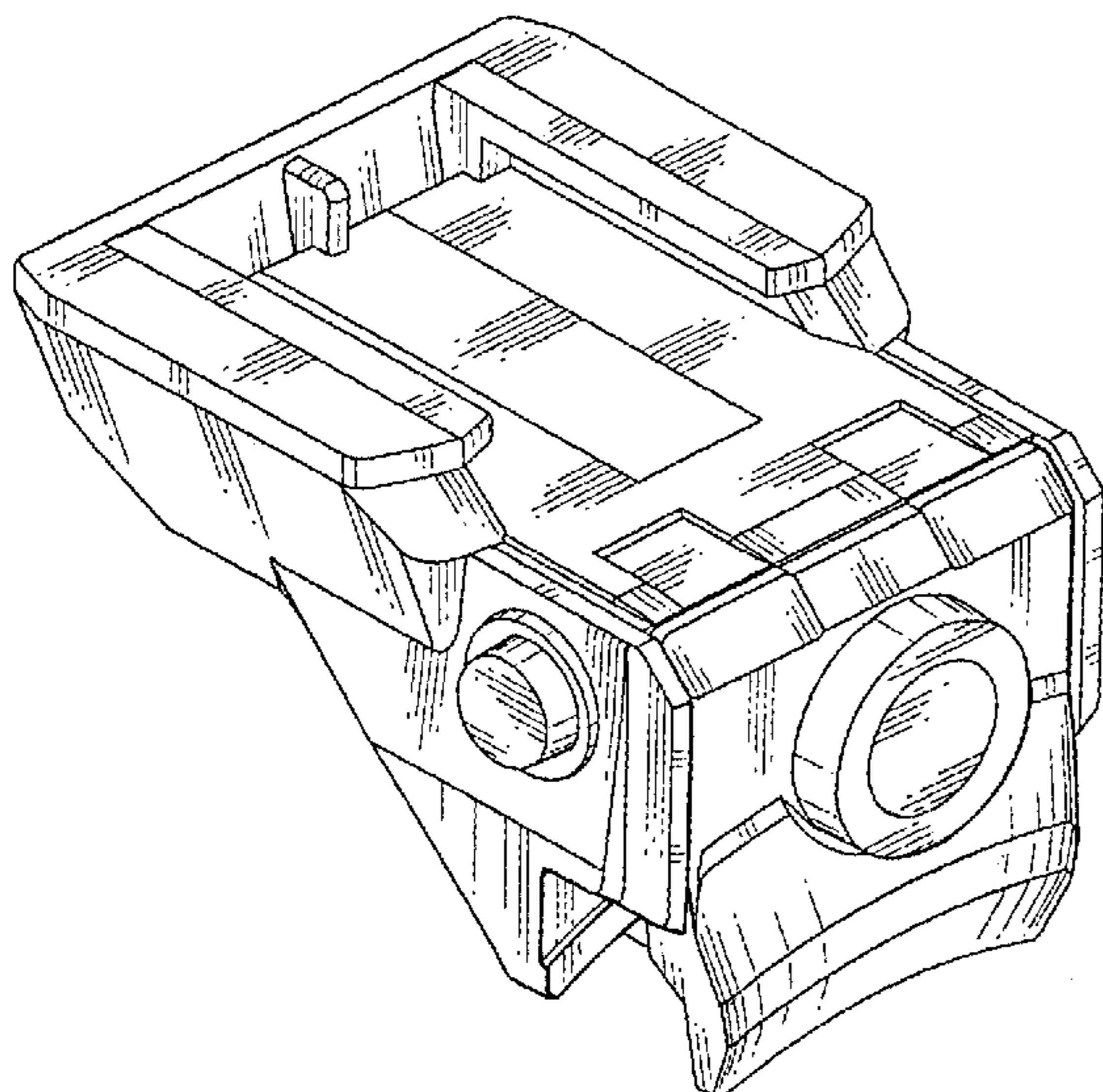


FIG.1

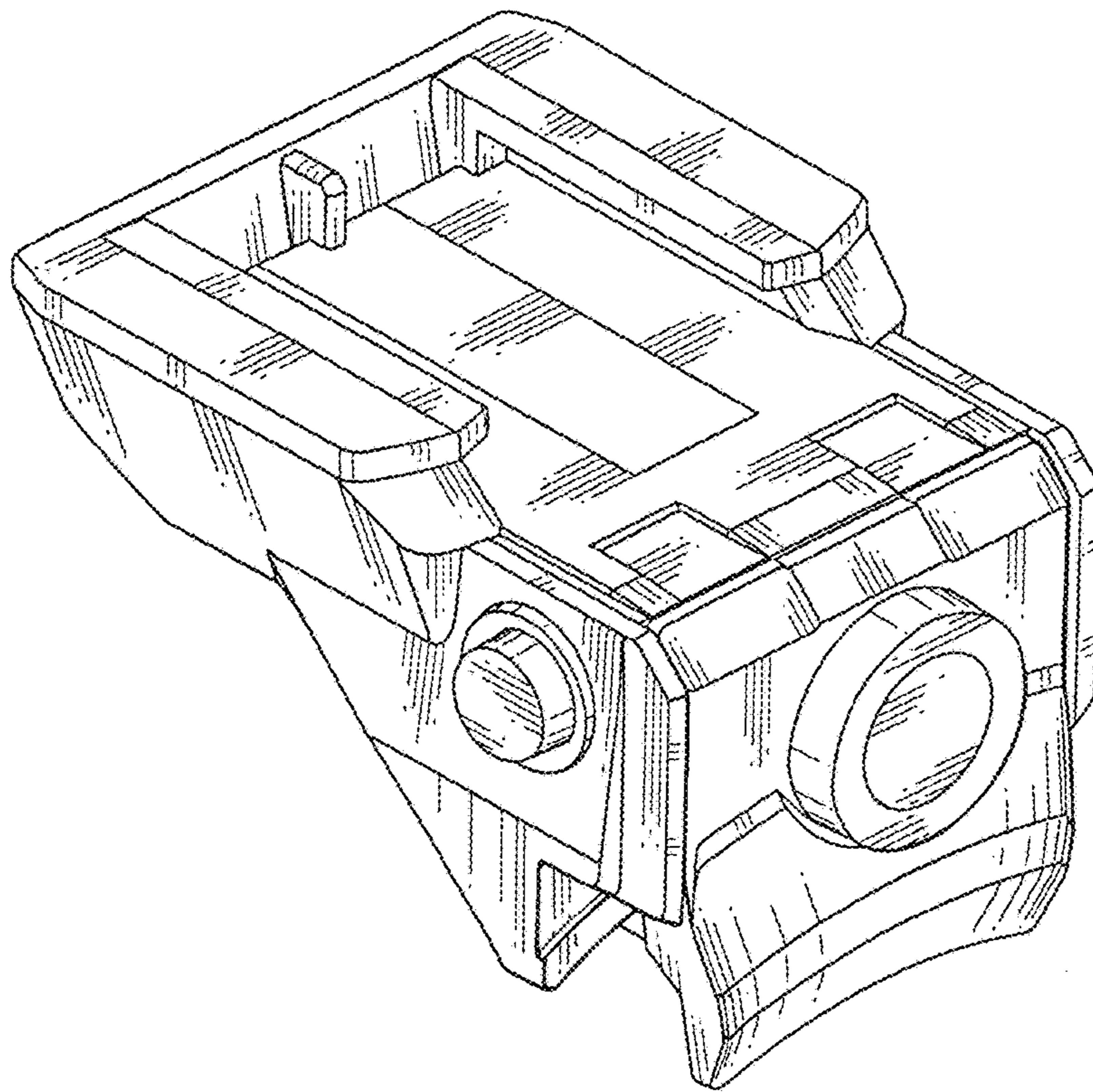


FIG.2

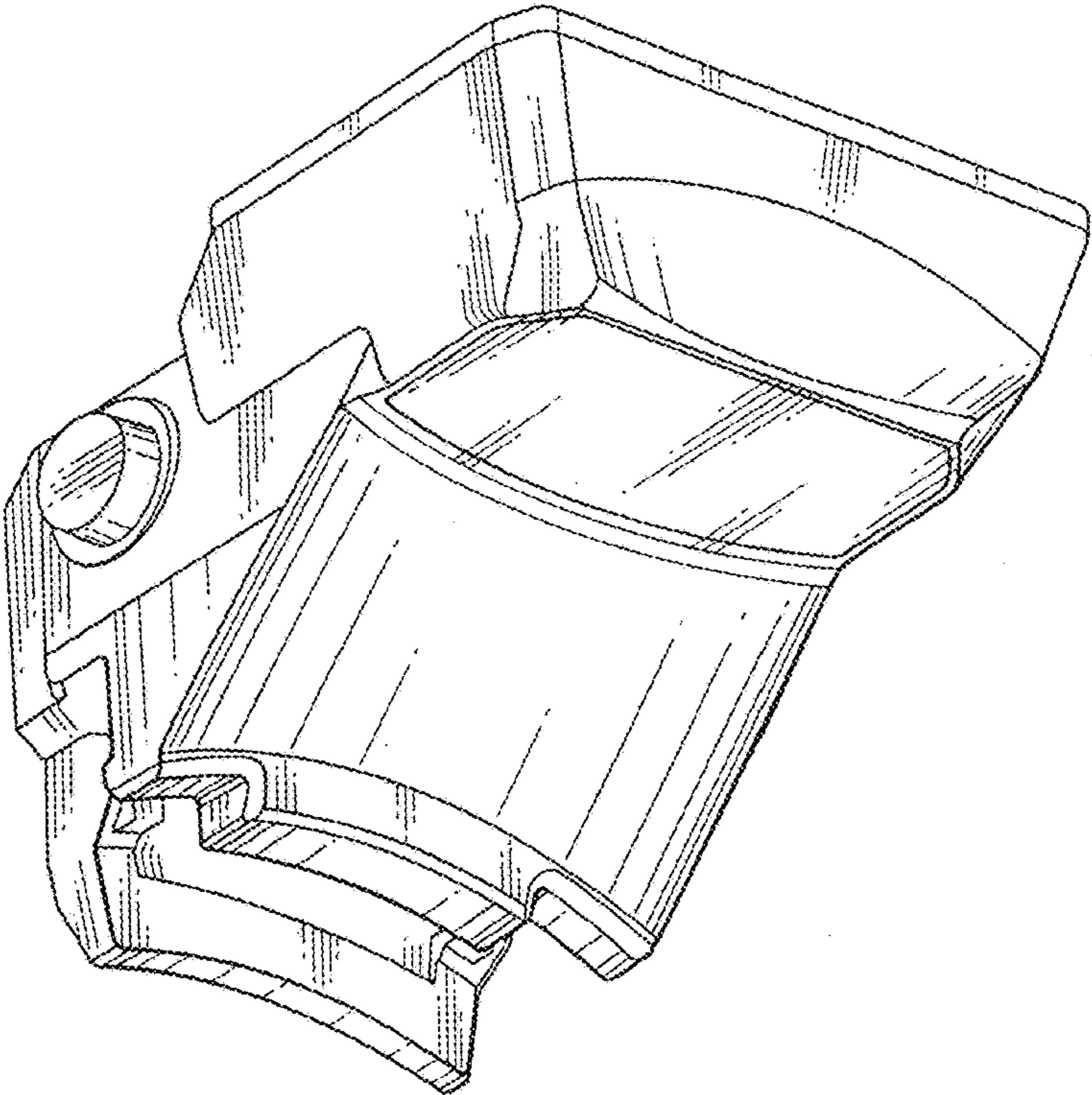


FIG.3

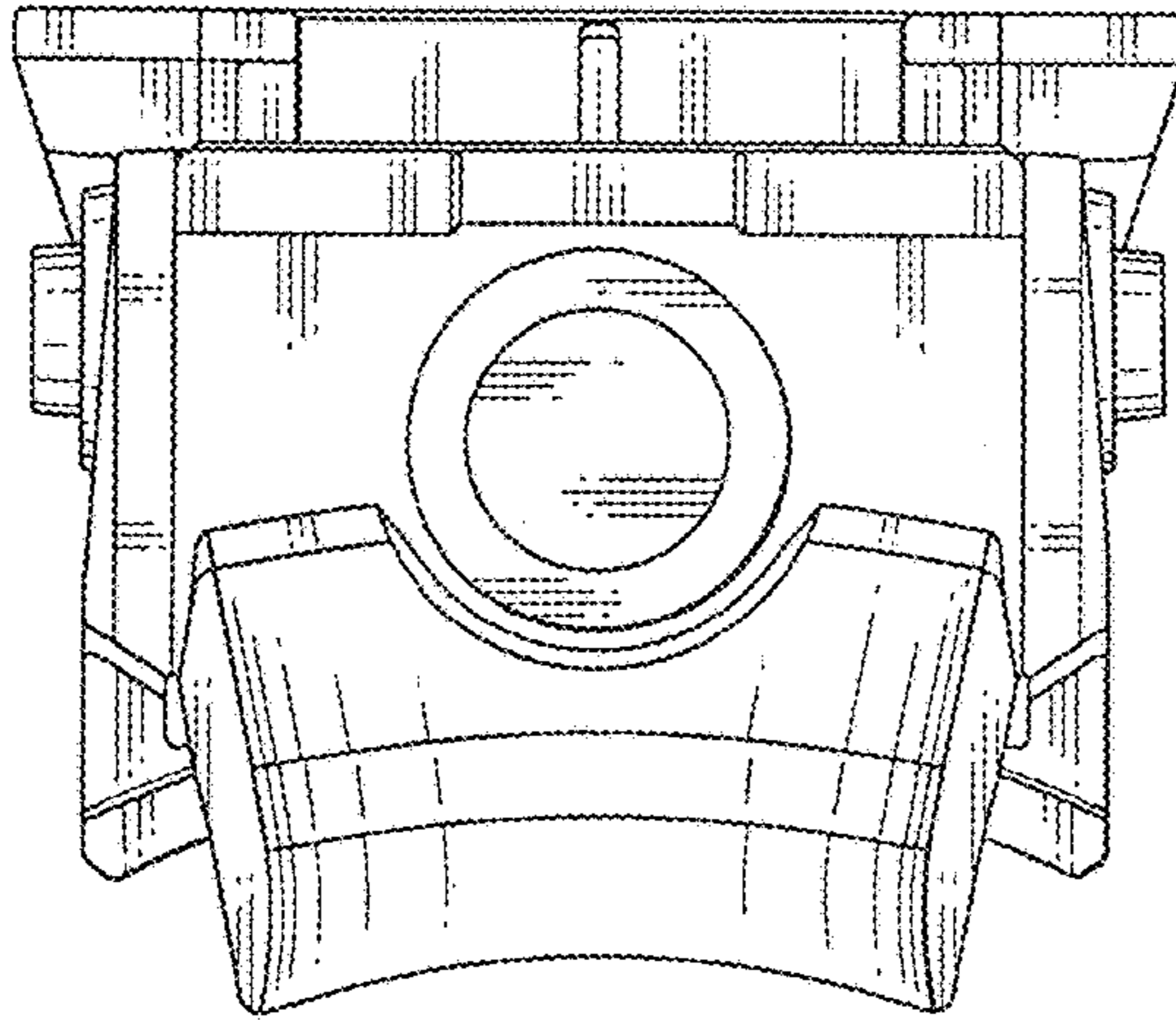


FIG.4

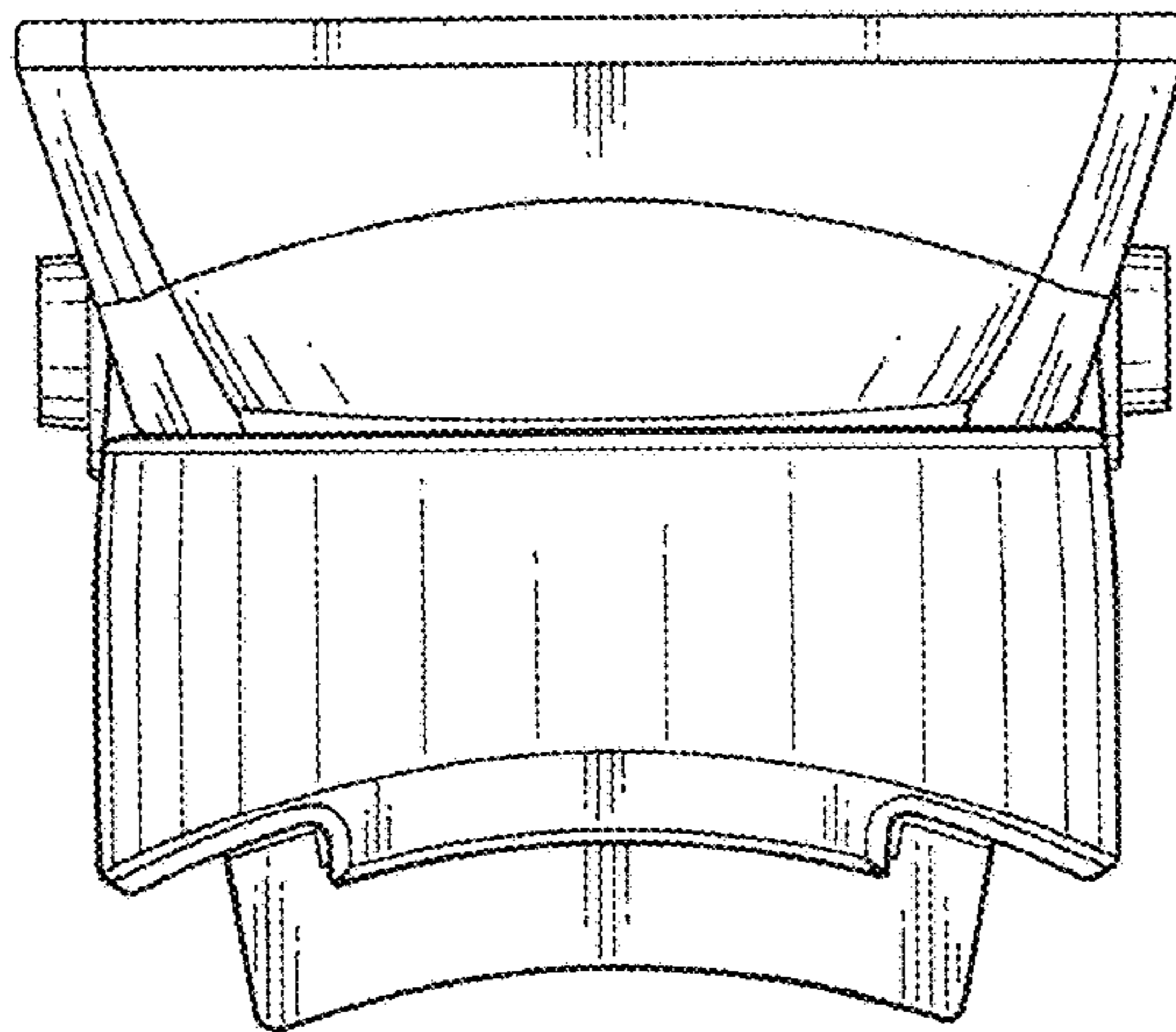


FIG.5

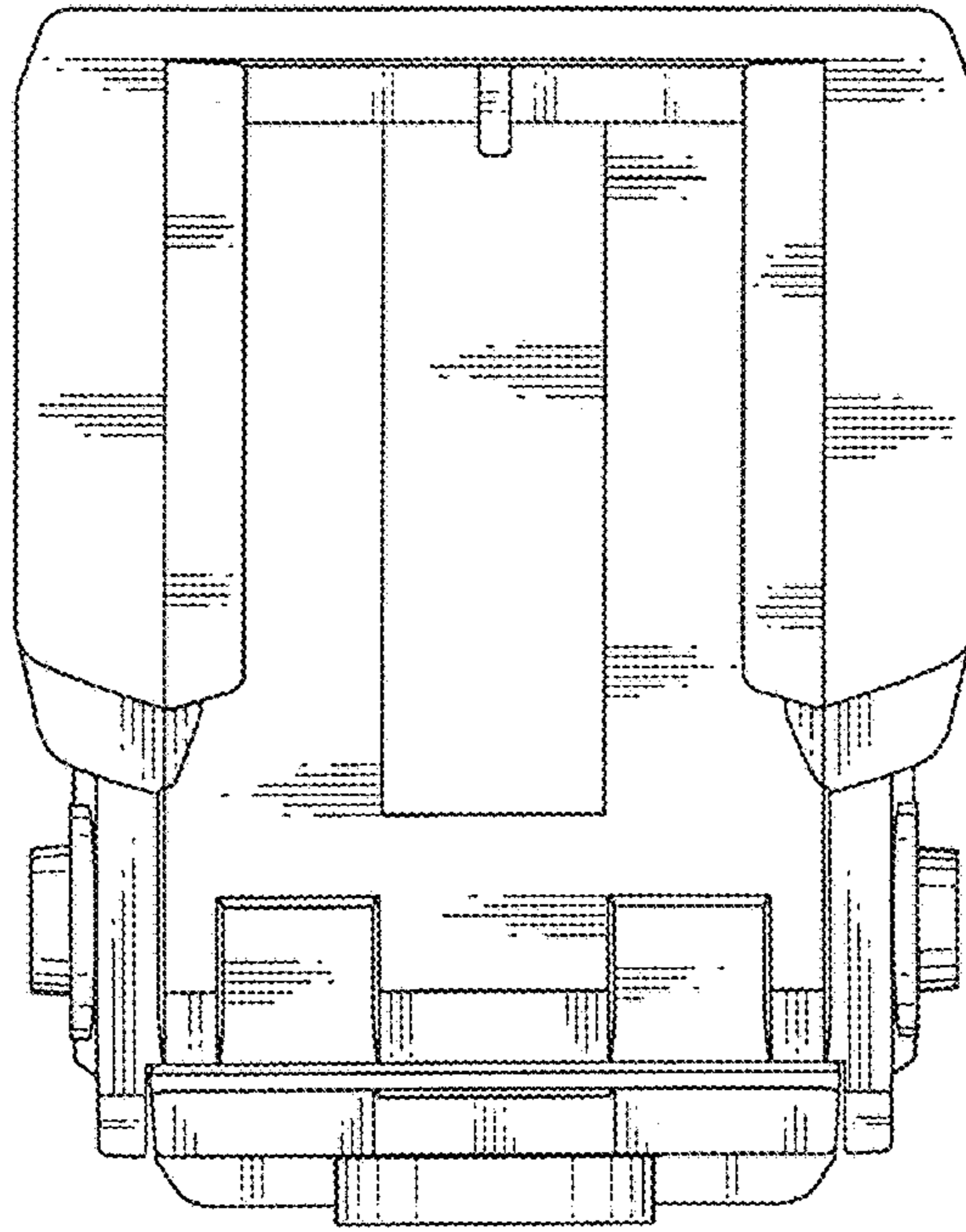


FIG.6

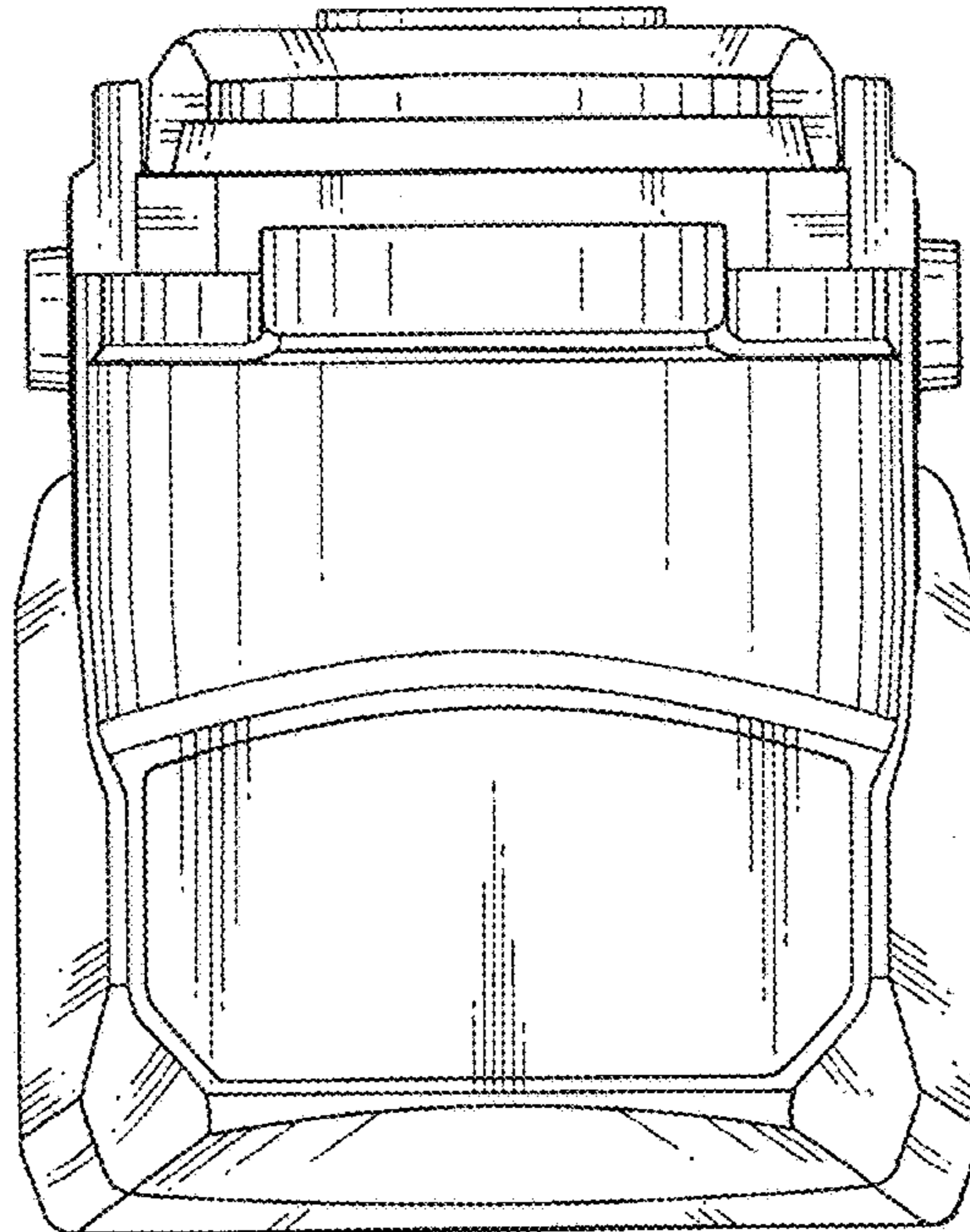


FIG.7

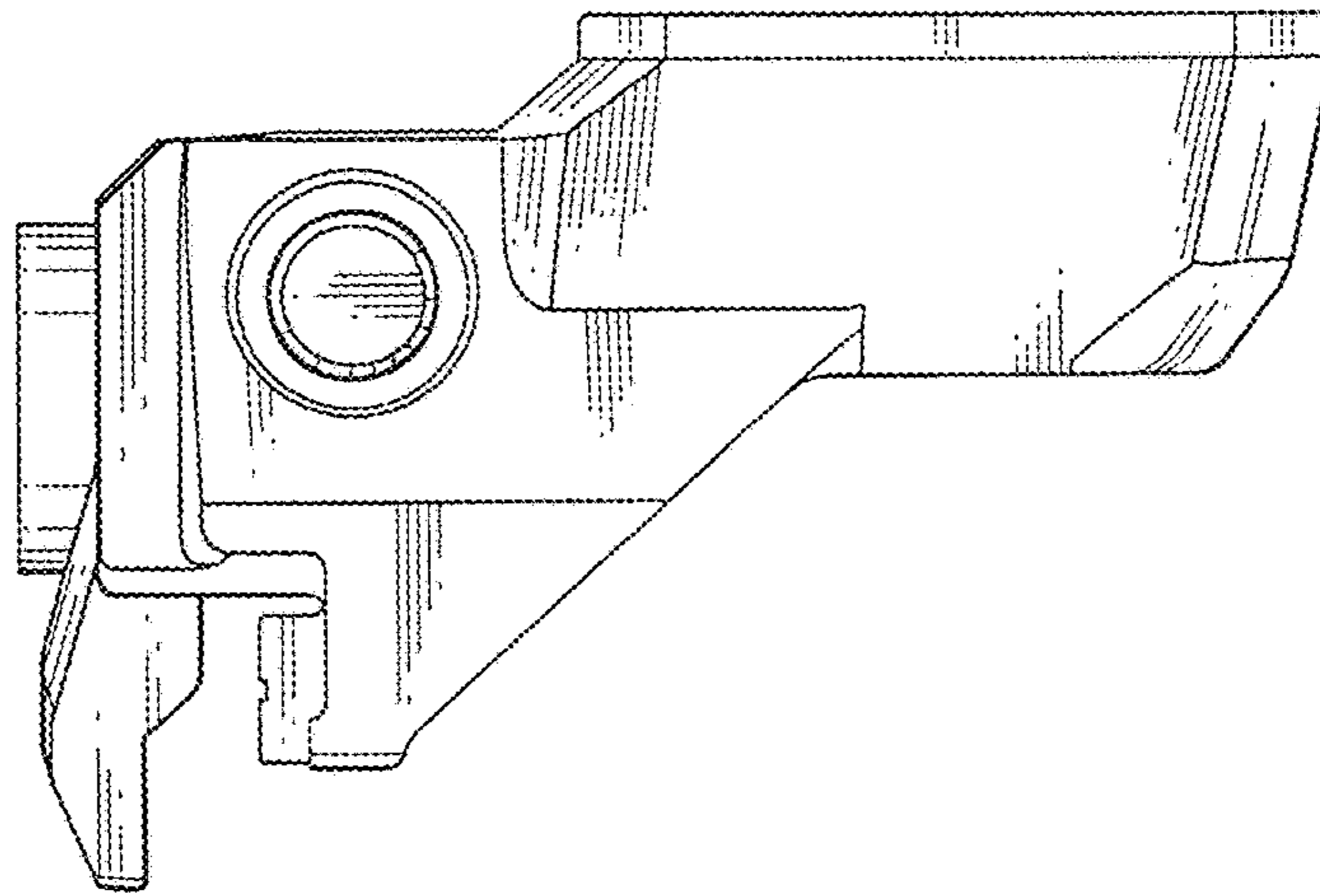


FIG.8

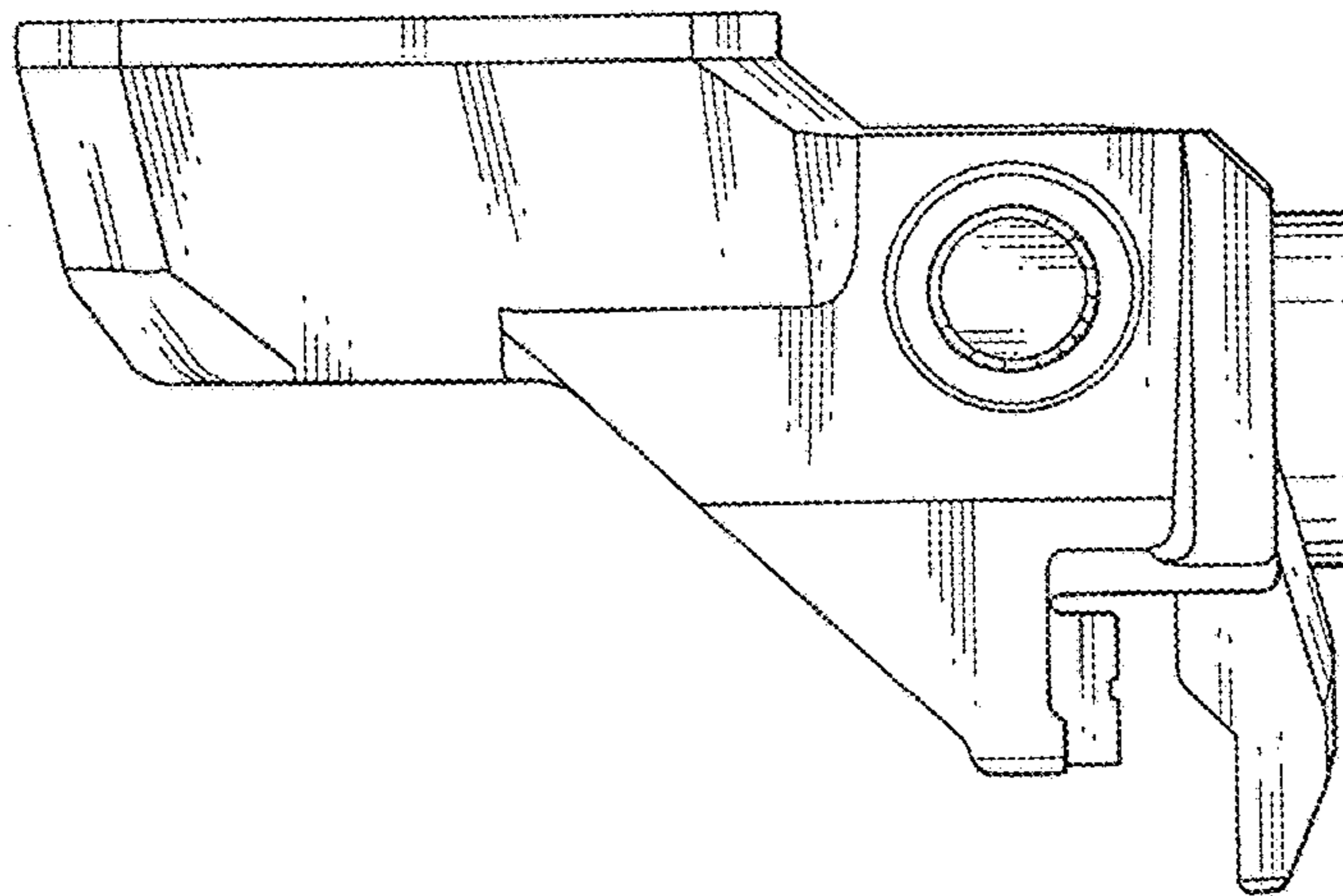


FIG.9

