



US00D849121S

(12) **United States Design Patent** (10) **Patent No.:** **US D849,121 S**  
**Ito et al.** (45) **Date of Patent:** **\*\* May 21, 2019**

(54) **PROJECTOR LENS UNIT FOR A PROJECTOR**

(71) Applicant: **FUJIFILM Corporation**, Tokyo (JP)

(72) Inventors: **Hidekane Ito**, Saitama (JP); **Atsushi Misawa**, Saitama (JP)

(73) Assignee: **FUJIFILM Corporation**, Minato-Ku, Tokyo (JP)

(\*\*) Term: **15 Years**

(21) Appl. No.: **29/590,784**

(22) Filed: **Jan. 13, 2017**

(30) **Foreign Application Priority Data**

Jul. 19, 2016 (JP) ..... 2016-015371  
Jul. 19, 2016 (JP) ..... 2016-015372

(51) **LOC (11) Cl.** ..... **16-02**

(52) **U.S. Cl.**  
USPC ..... **D16/235**

(58) **Field of Classification Search**  
USPC ..... D16/235, 221, 225, 230–231, 234, 208,  
D16/213, 130, 134–137, 203; D21/514;  
(Continued)

(56) **References Cited**

**U.S. PATENT DOCUMENTS**

D111,605 S \* 10/1938 Kay ..... D20/10  
D111,607 S \* 10/1938 Kay ..... D20/10  
(Continued)

**FOREIGN PATENT DOCUMENTS**

CN 301294990 \* 11/2009  
CN 301589997 \* 12/2010  
(Continued)

*Primary Examiner* — Wan Laymon

(74) *Attorney, Agent, or Firm* — Sughrue Mion, PLLC

(57) **CLAIM**

The ornamental design for projector lens unit for a projector, as shown and described.

**DESCRIPTION**

FIG. 1 is a perspective view of a projector lens unit for a projector according to an embodiment, viewed from the front side thereof, showing our new design;

FIG. 2 is a front view thereof;

FIG. 3 is a rear view thereof;

FIG. 4 is a top view thereof;

FIG. 5 is a bottom view thereof;

FIG. 6 is a right side view thereof;

FIG. 7 is a left side view thereof; and

FIG. 8 is a reference perspective view showing a usage state thereof.

FIG. 9 is a perspective view of a projector lens unit for a projector according to an embodiment, viewed from the front side thereof, showing our new design;

FIG. 10 is a front view thereof;

FIG. 11 is a rear view thereof;

FIG. 12 is a top view thereof;

FIG. 13 is a bottom view thereof;

FIG. 14 is a right side view thereof;

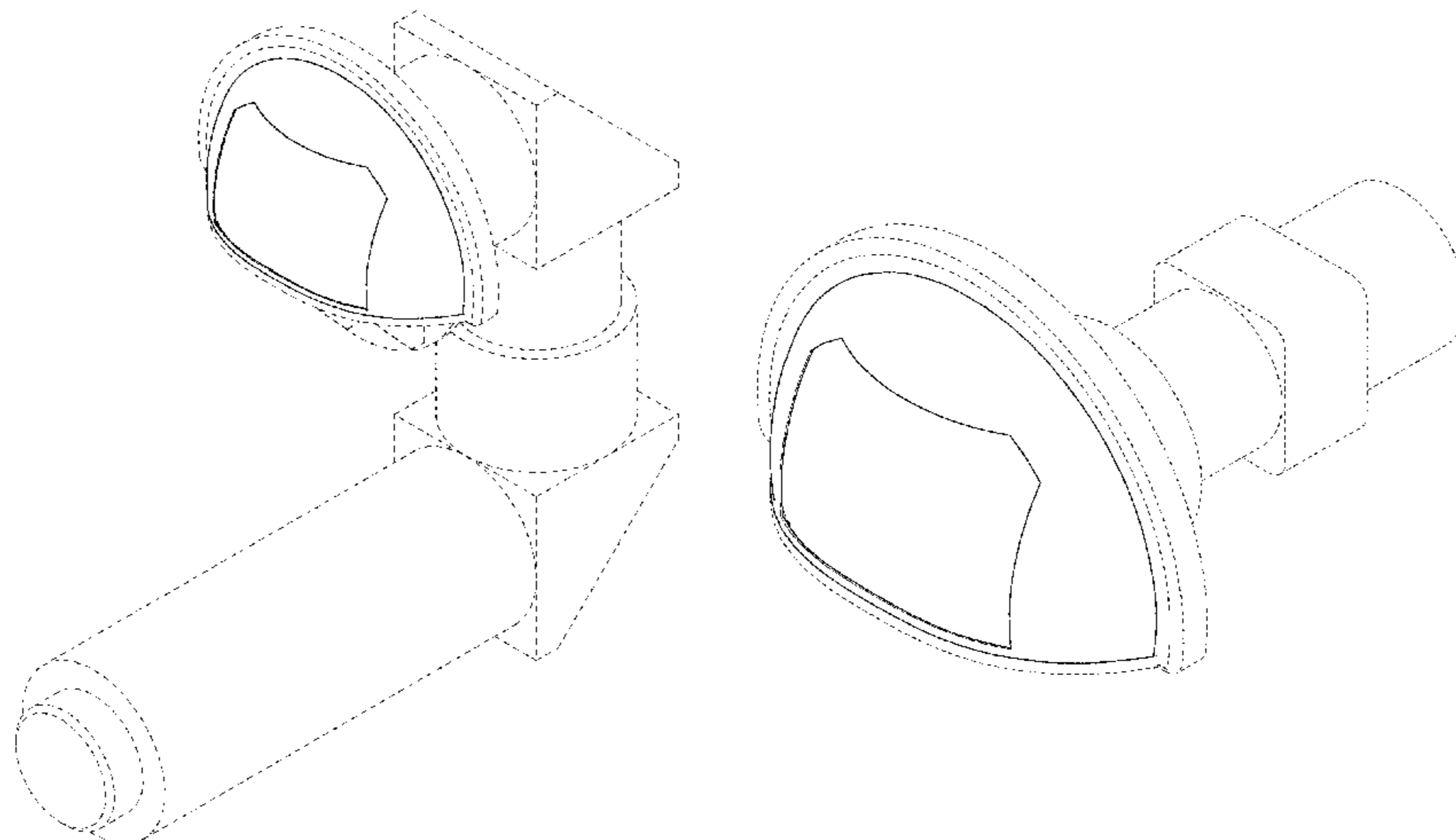
FIG. 15 is a left side view thereof; and,

FIG. 16 is a reference perspective view showing a usage state thereof.

The article relating to the design of the present application is a projector lens unit for a projector that is connected to a projection section of a projector, to be used. The portion for which a design registration is sought is a mask having no translucency that is attached to a front face of a projector lens for a projector, and the mask having no translucency can be attached to the front face of a transparent projector lens for a projector, to be used. As shown in FIGS. 8 and 16, the present article can be connected to the projection section of the projector, to be used.

The portions represented with solid lines represent claimed portions of the design, the broken lines shown in the figures

(Continued)



are included for the purpose of illustrating portions of the projector lens unit for a projector and form no part of the claimed design.

**1 Claim, 16 Drawing Sheets**

(58) **Field of Classification Search**

USPC ..... D14/450; D8/310, 300; D7/393;  
D26/36, 123-124; D20/28; 353/119  
CPC ..... G03B 21/145; G03B 21/14; G03B 21/54;  
G03B 21/28

See application file for complete search history.

(56) **References Cited**

U.S. PATENT DOCUMENTS

D470,890 S \* 2/2003 Meyer ..... D20/28  
D500,343 S \* 12/2004 McRobbie ..... D20/28  
D553,661 S \* 10/2007 Nakayama ..... D16/235  
D554,174 S \* 10/2007 Nakayama ..... D16/235  
D661,721 S \* 6/2012 Fujikawa ..... D16/225  
D718,802 S \* 12/2014 Ishibashi ..... D16/230  
9,709,879 B2 \* 7/2017 Otsuki ..... G03B 21/145  
2016/0011494 A1 \* 1/2016 Otsuki ..... G03B 21/145  
353/119

FOREIGN PATENT DOCUMENTS

CN 302021022 \* 12/2011  
JP 1400229 S 11/2010  
JP 2011107459 A 6/2011

\* cited by examiner

FIG.1

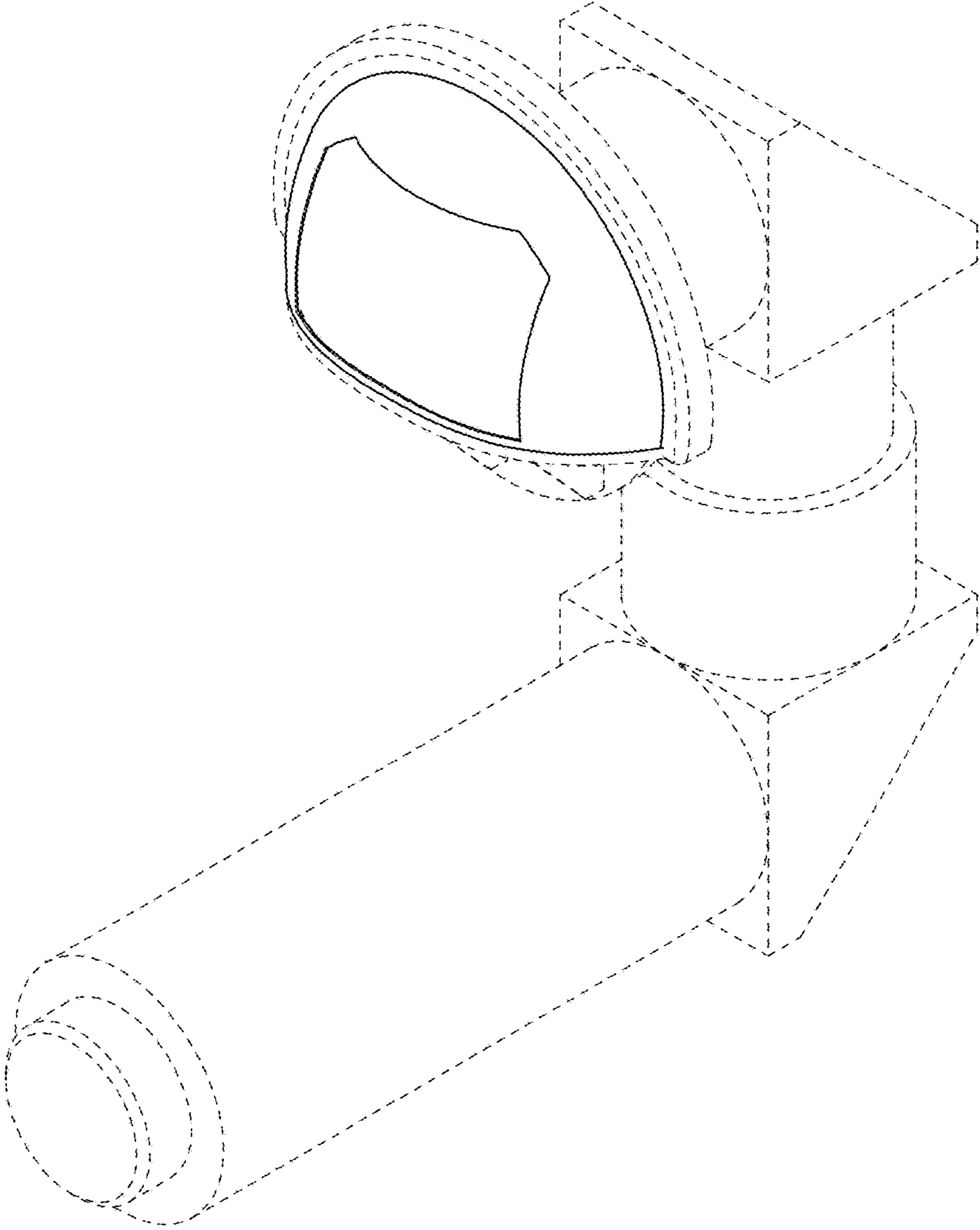


FIG.2

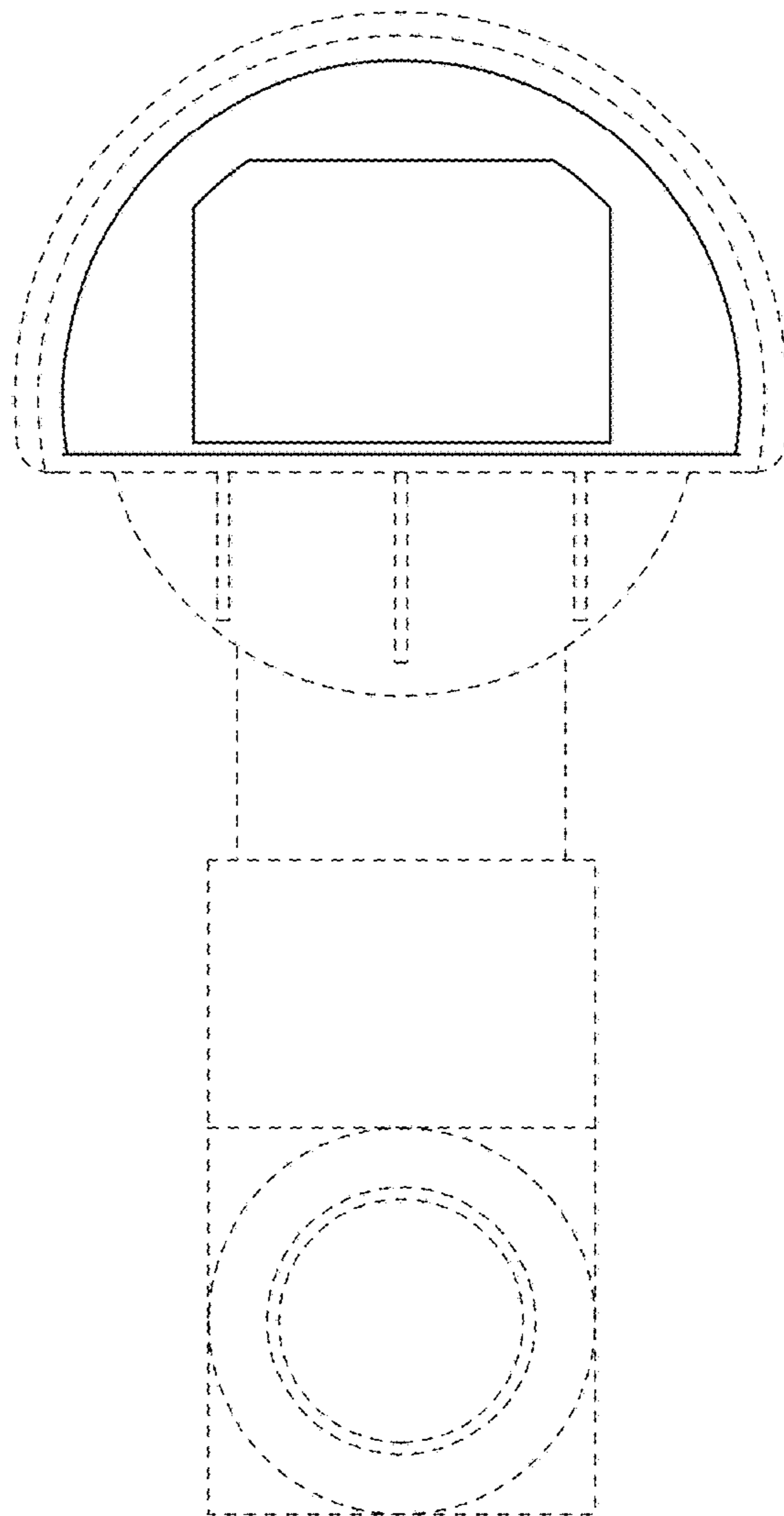


FIG.3

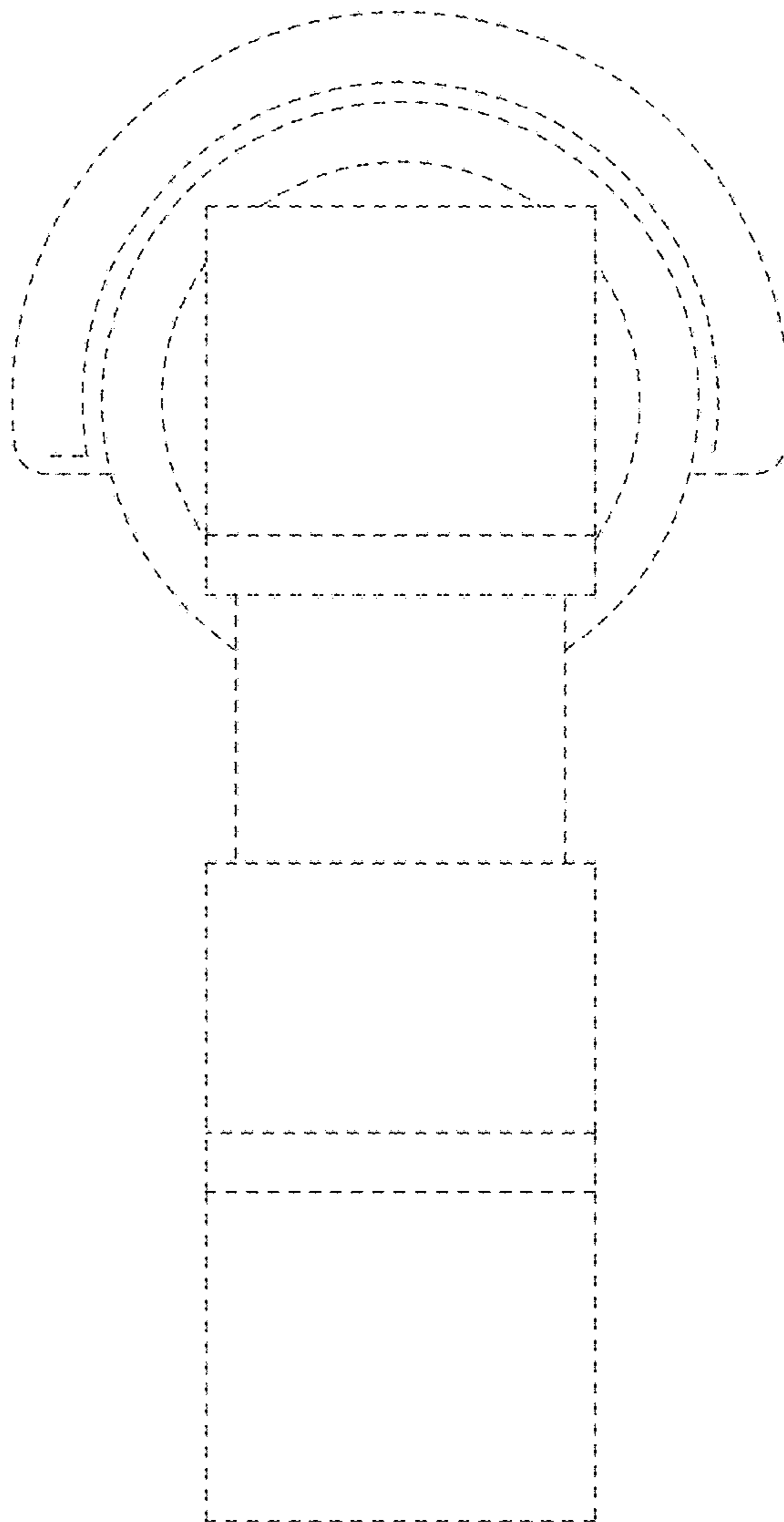


FIG.4

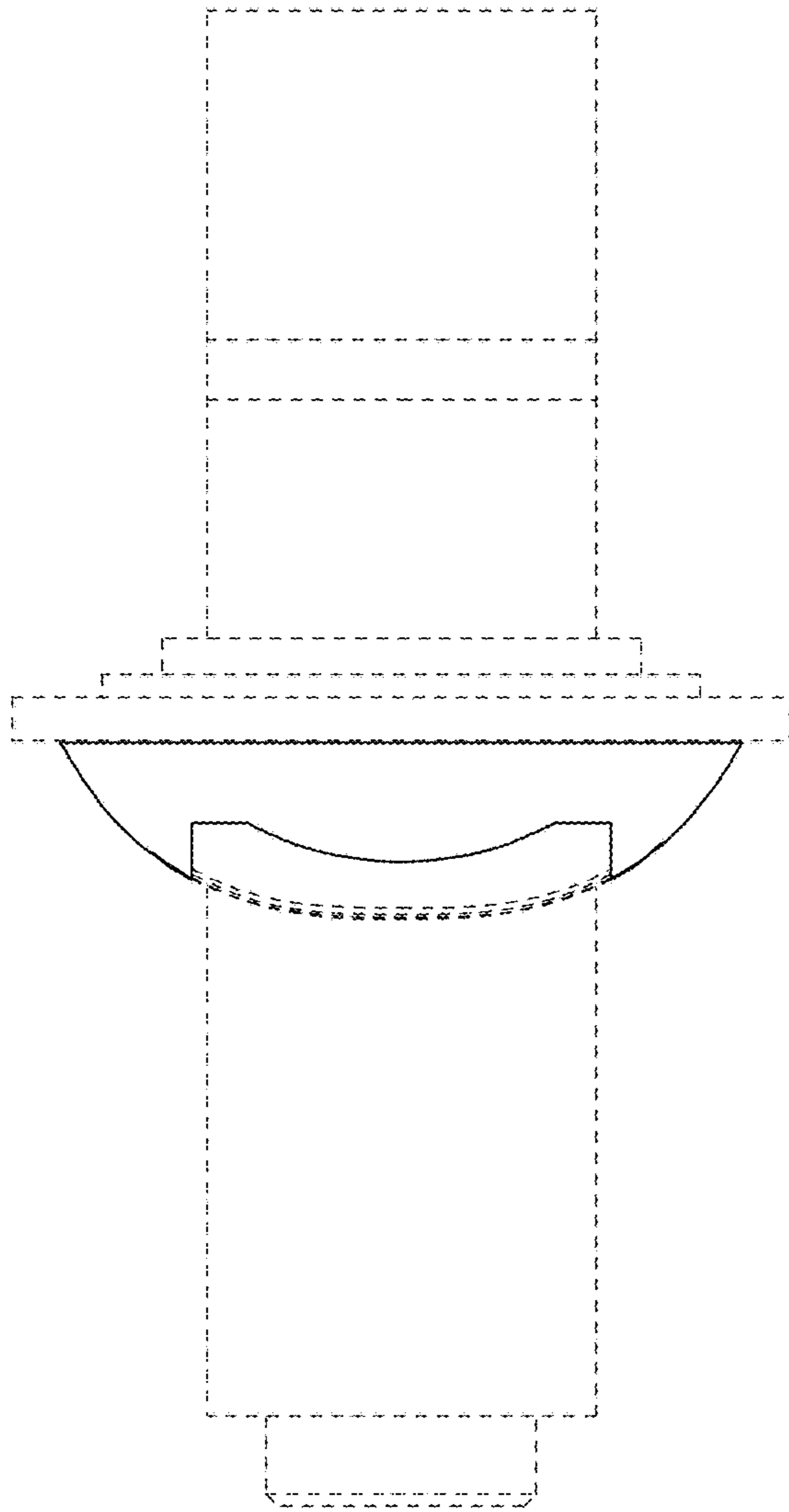


FIG.5

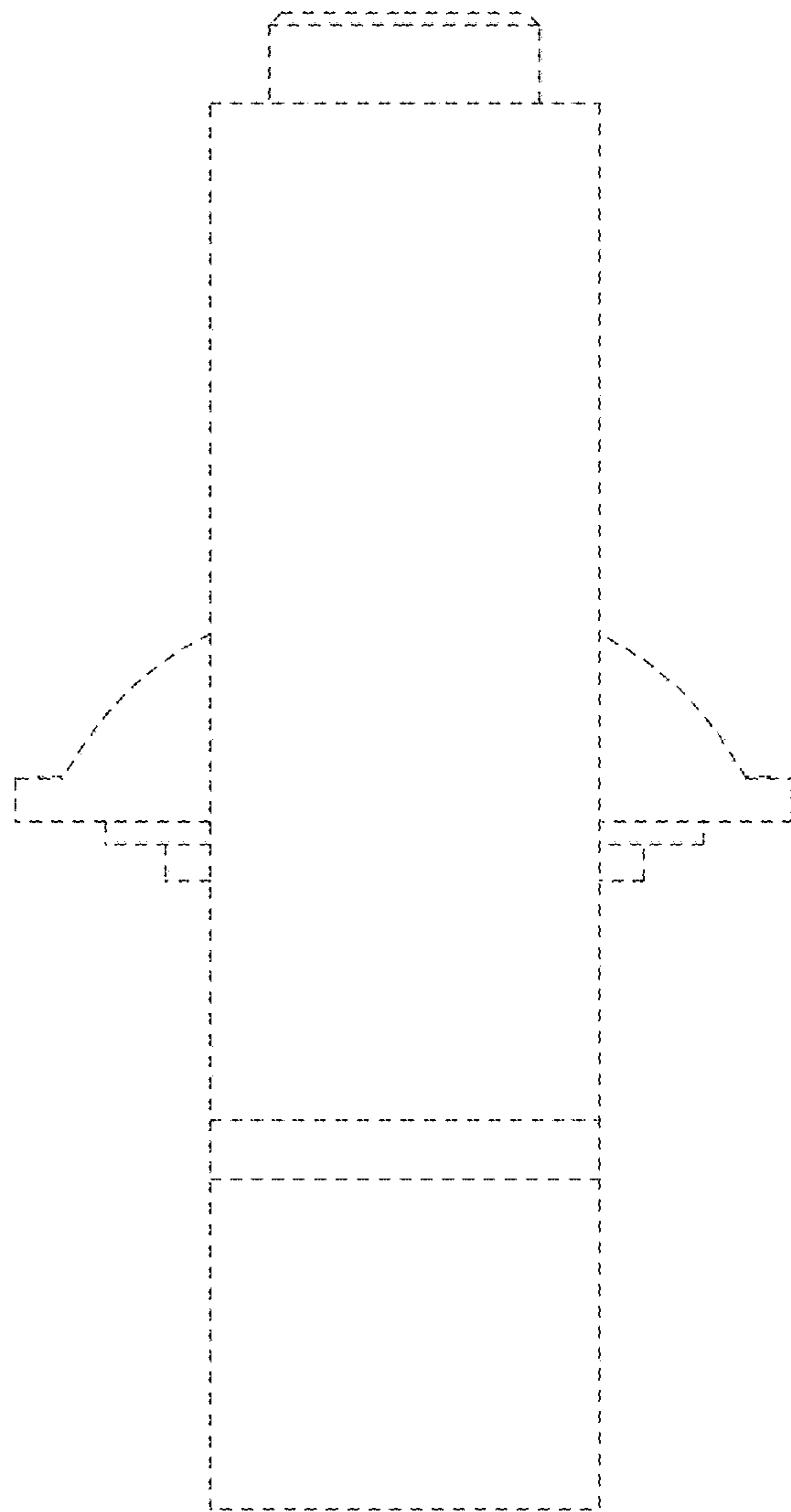


FIG.6

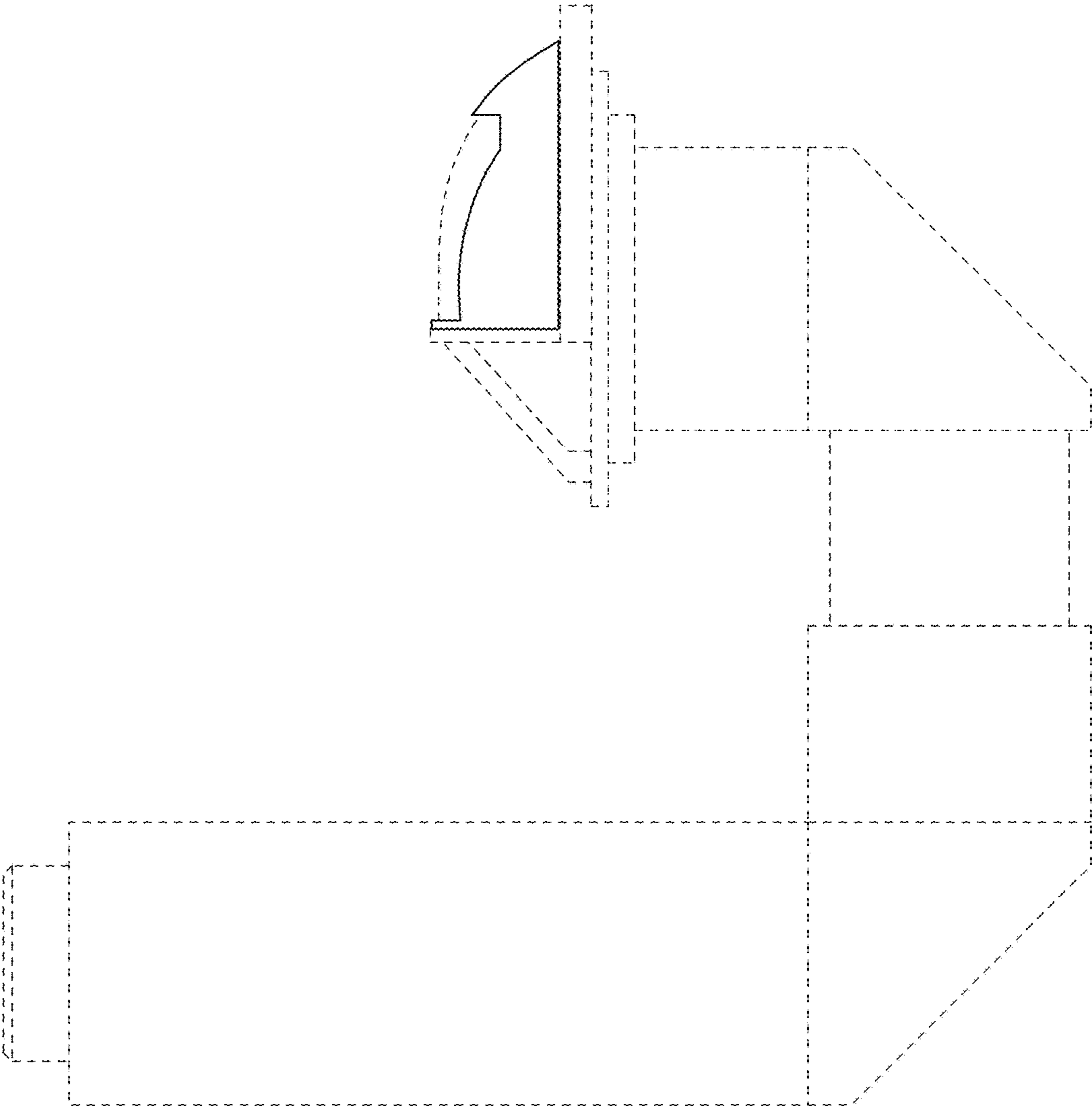




FIG.7

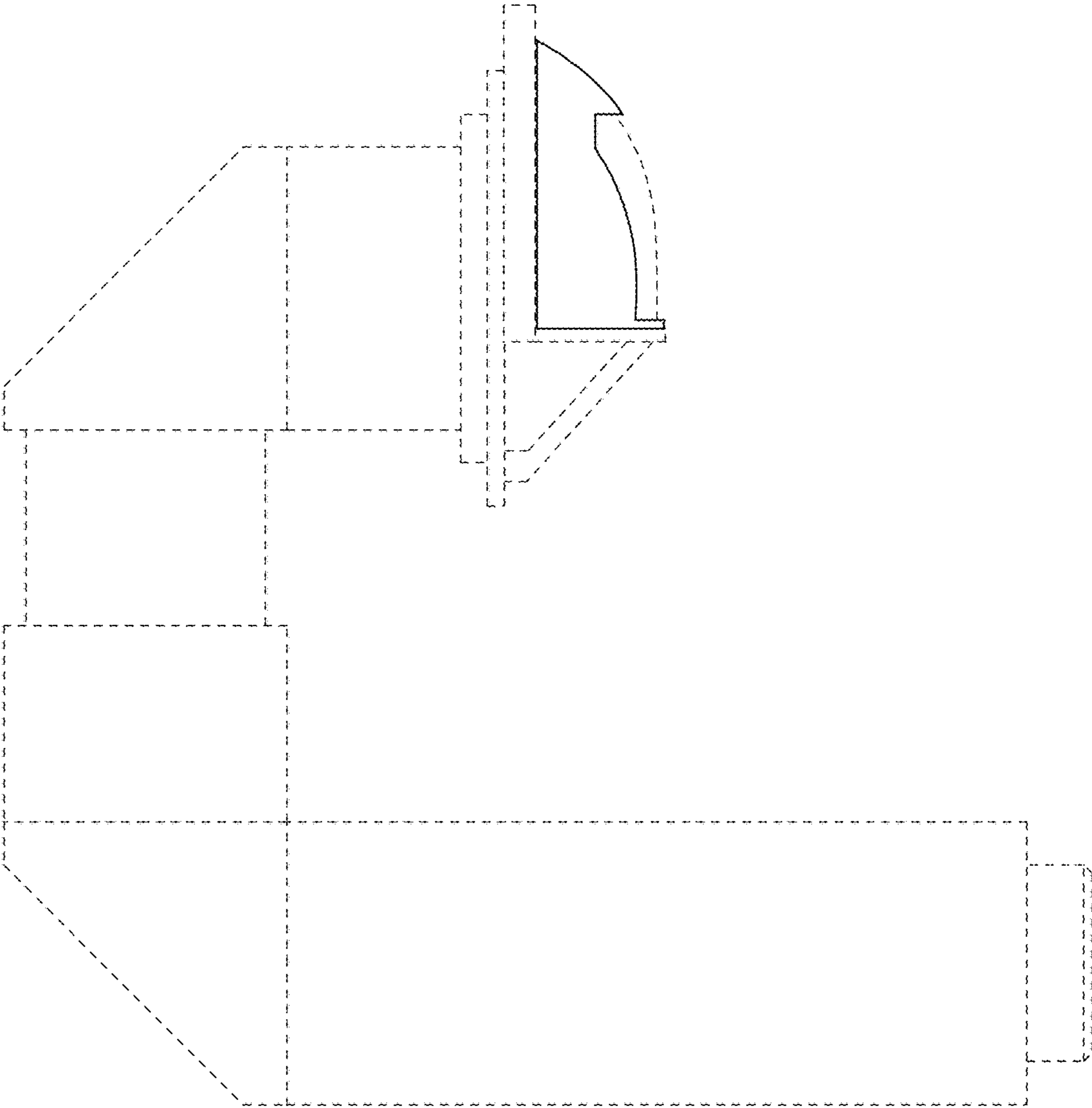


FIG.8

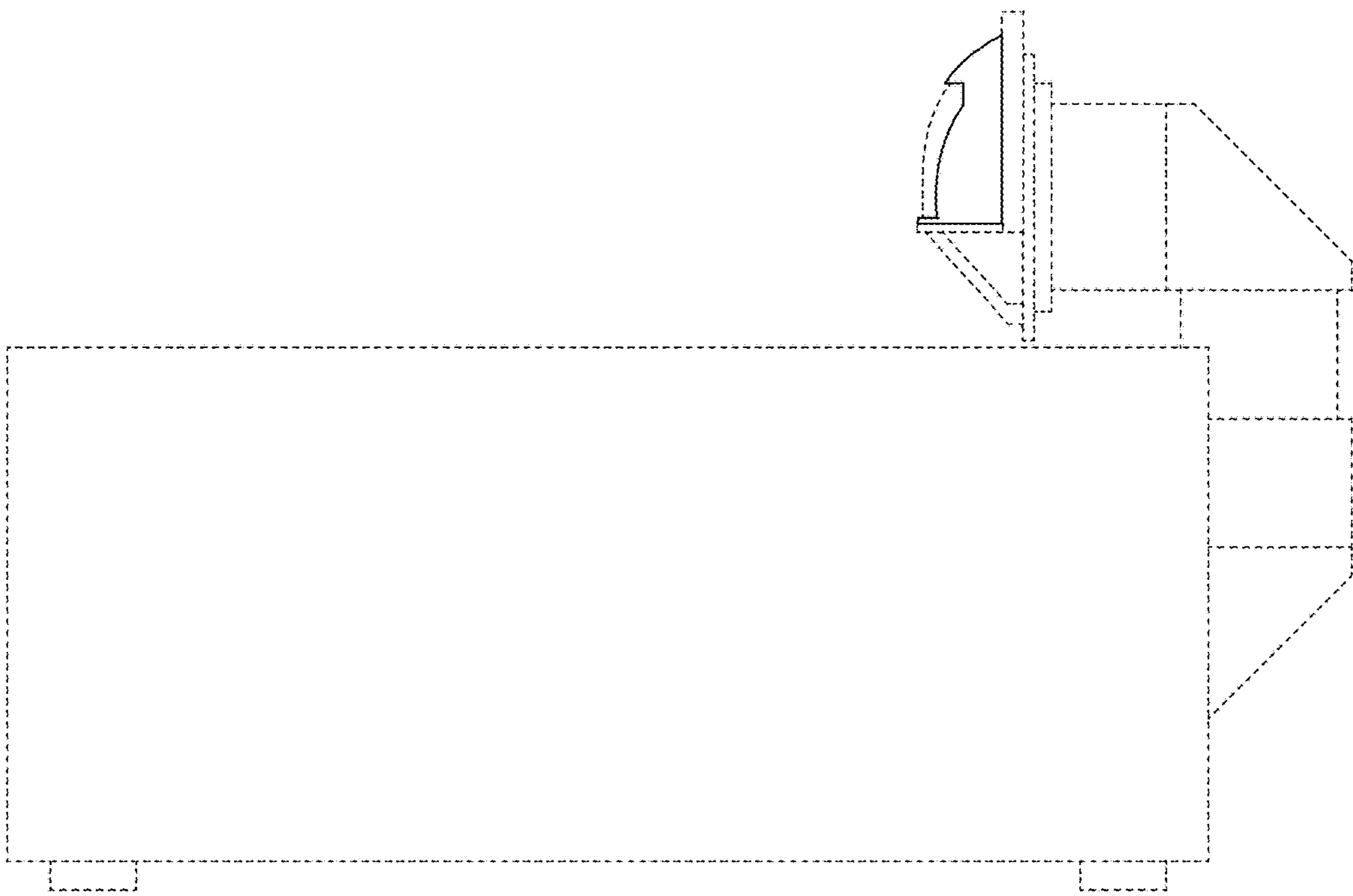


FIG.9

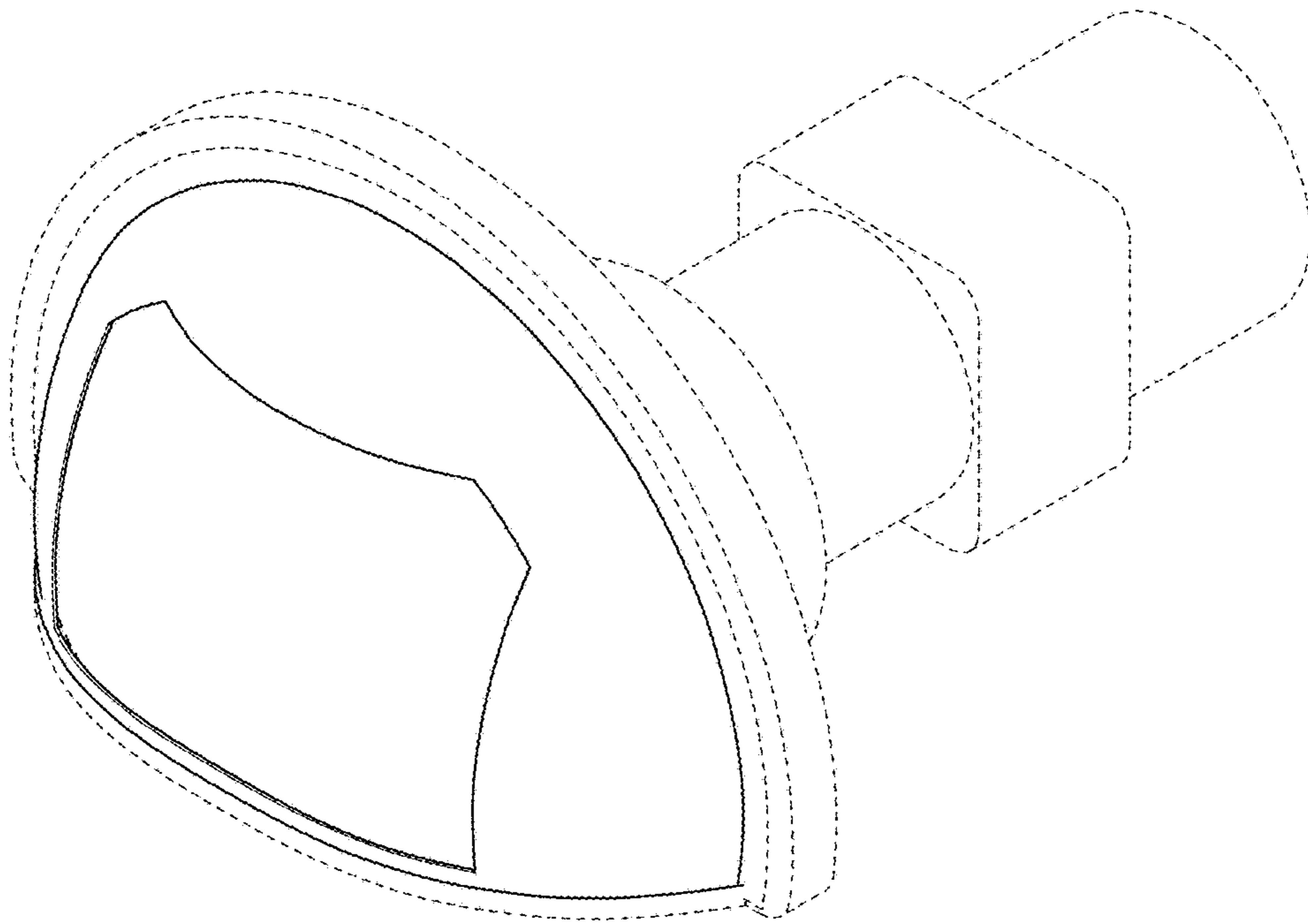


FIG.10

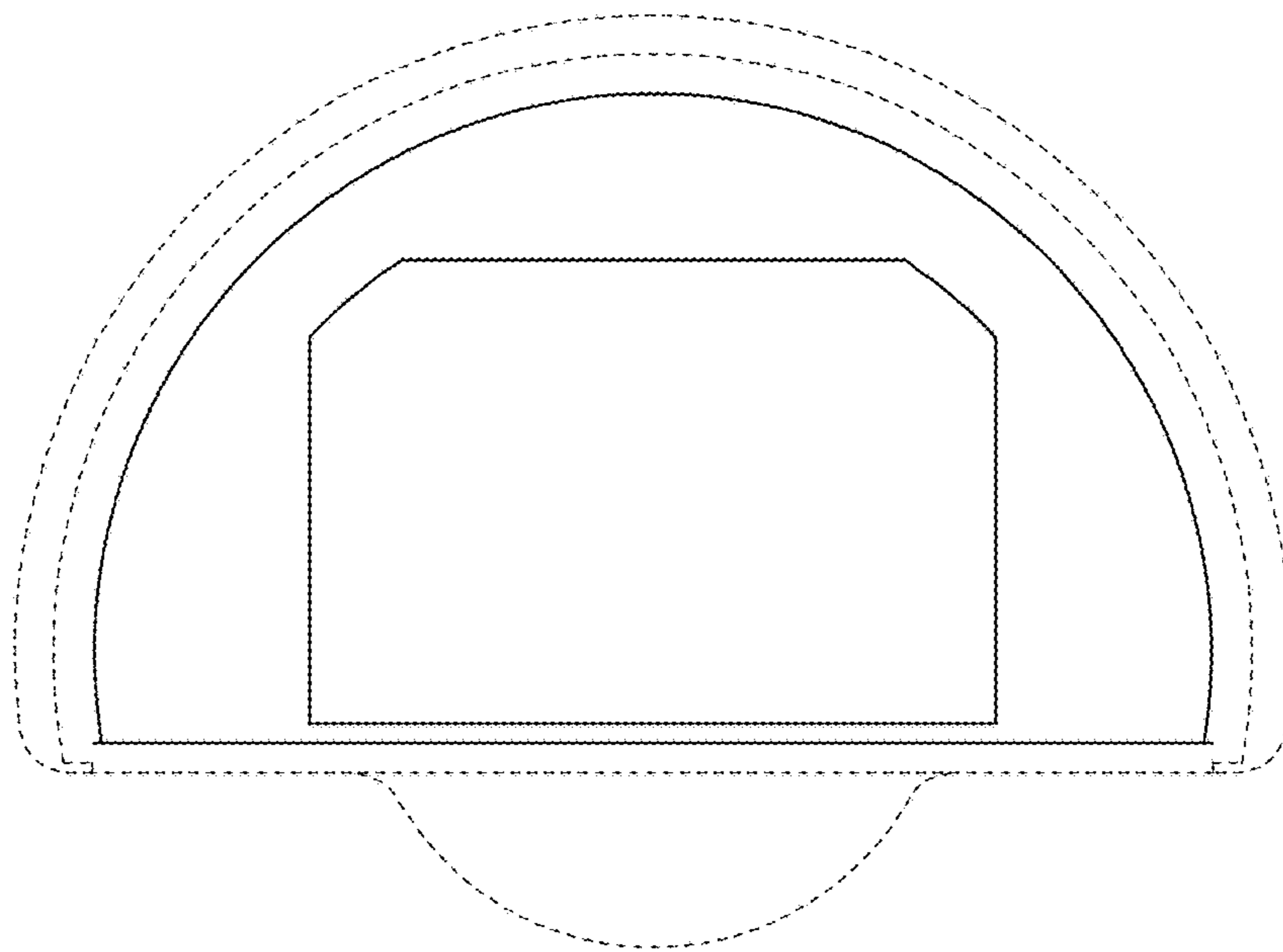


FIG.11

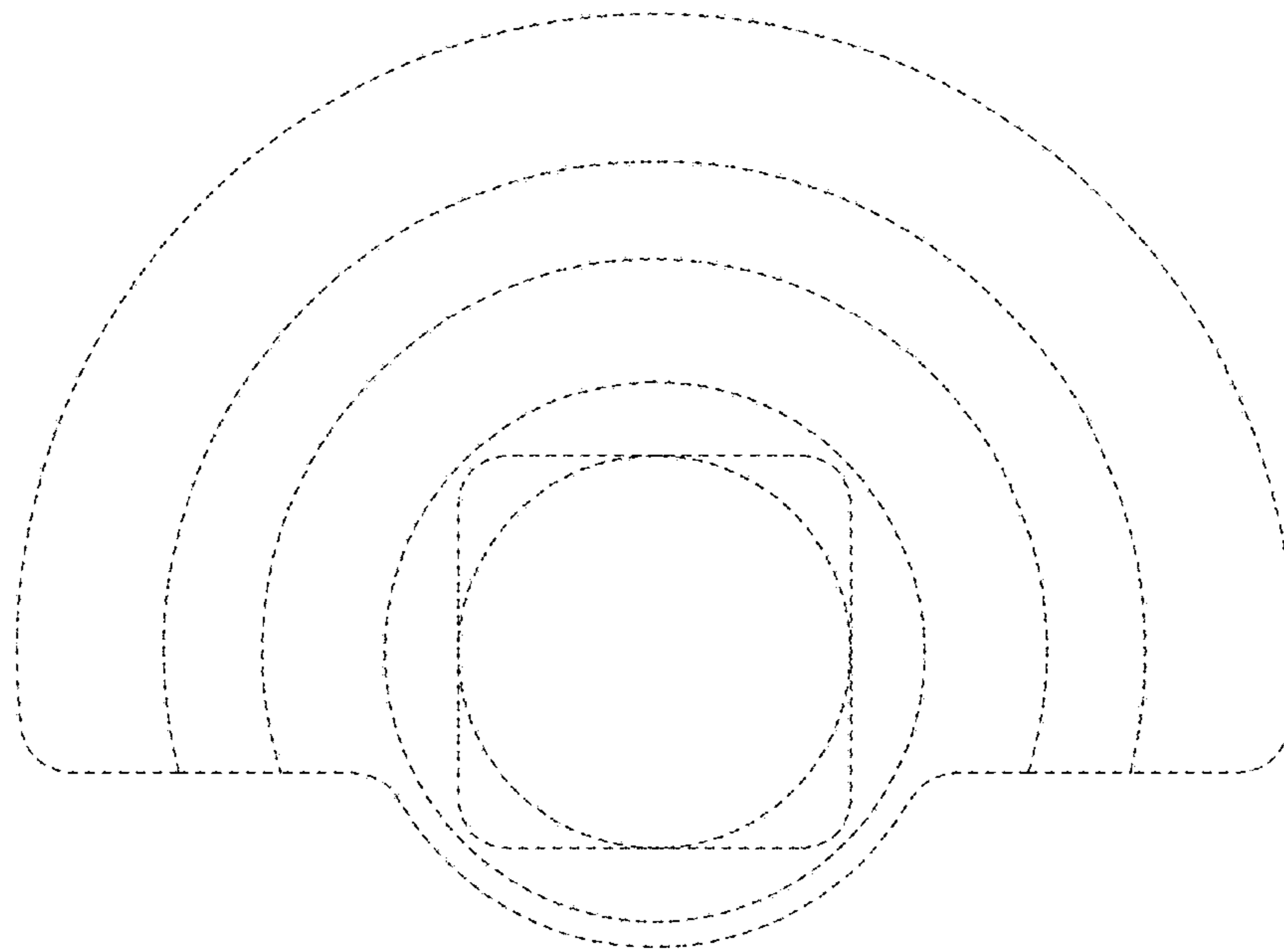


FIG.12

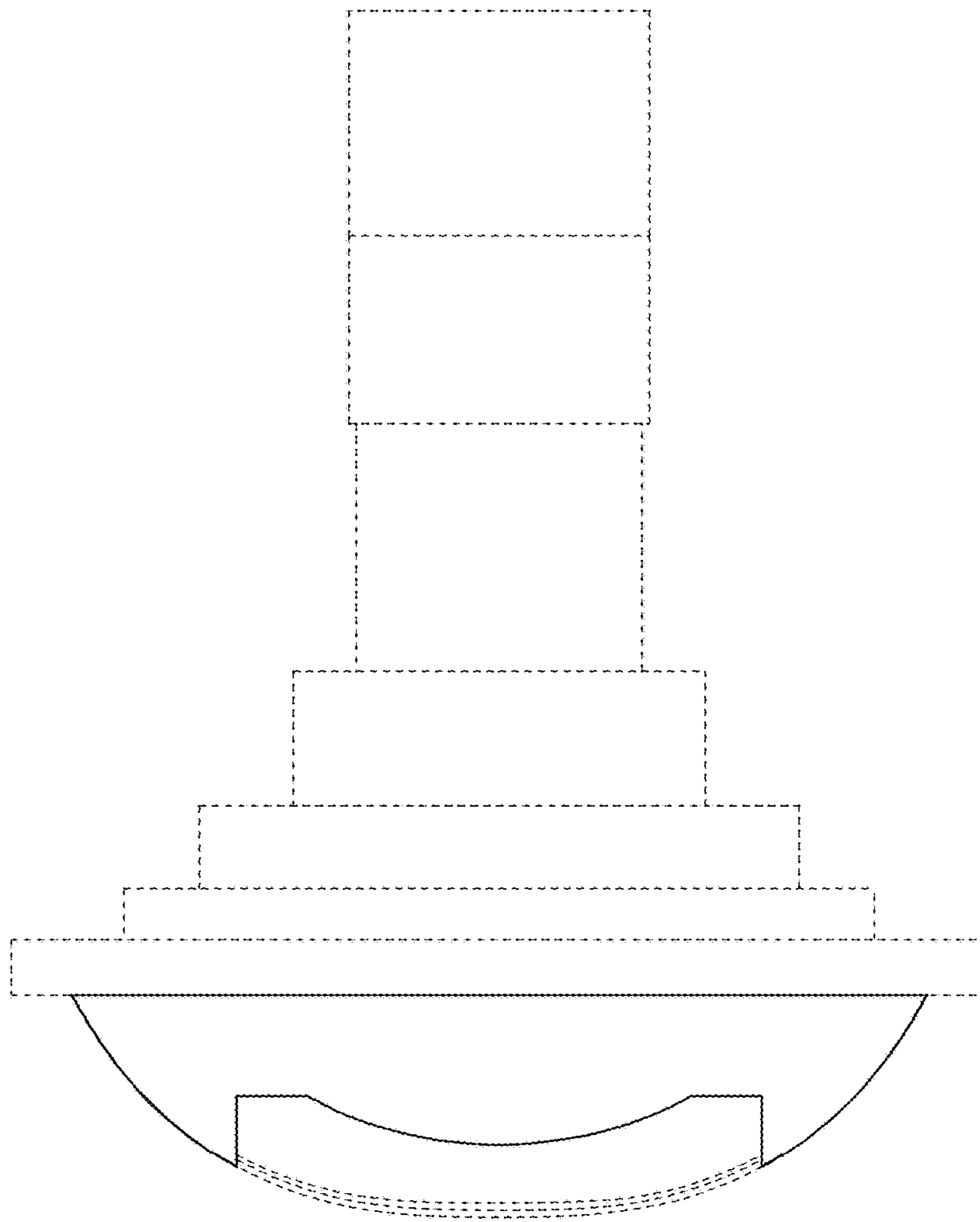


FIG.13

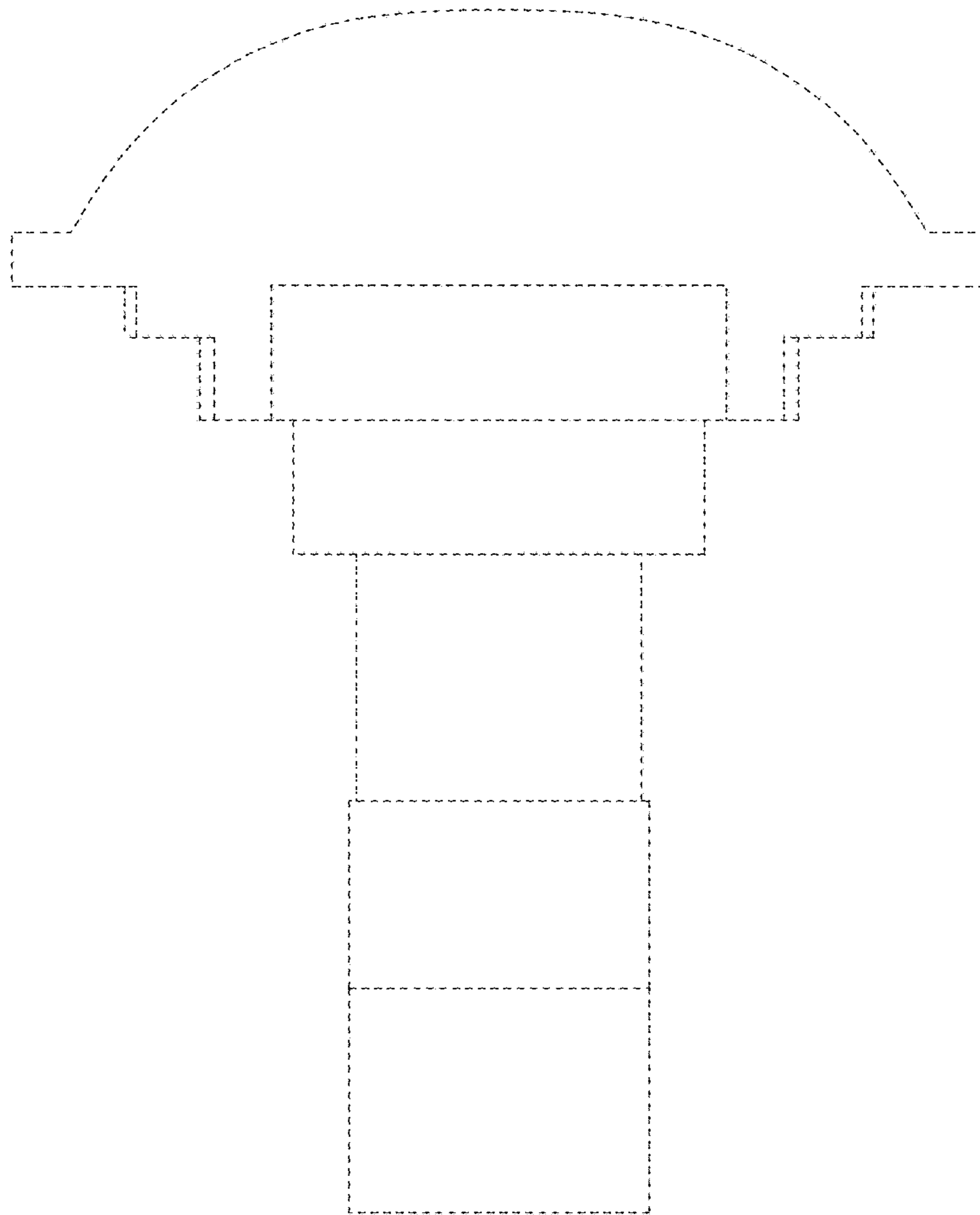


FIG.14

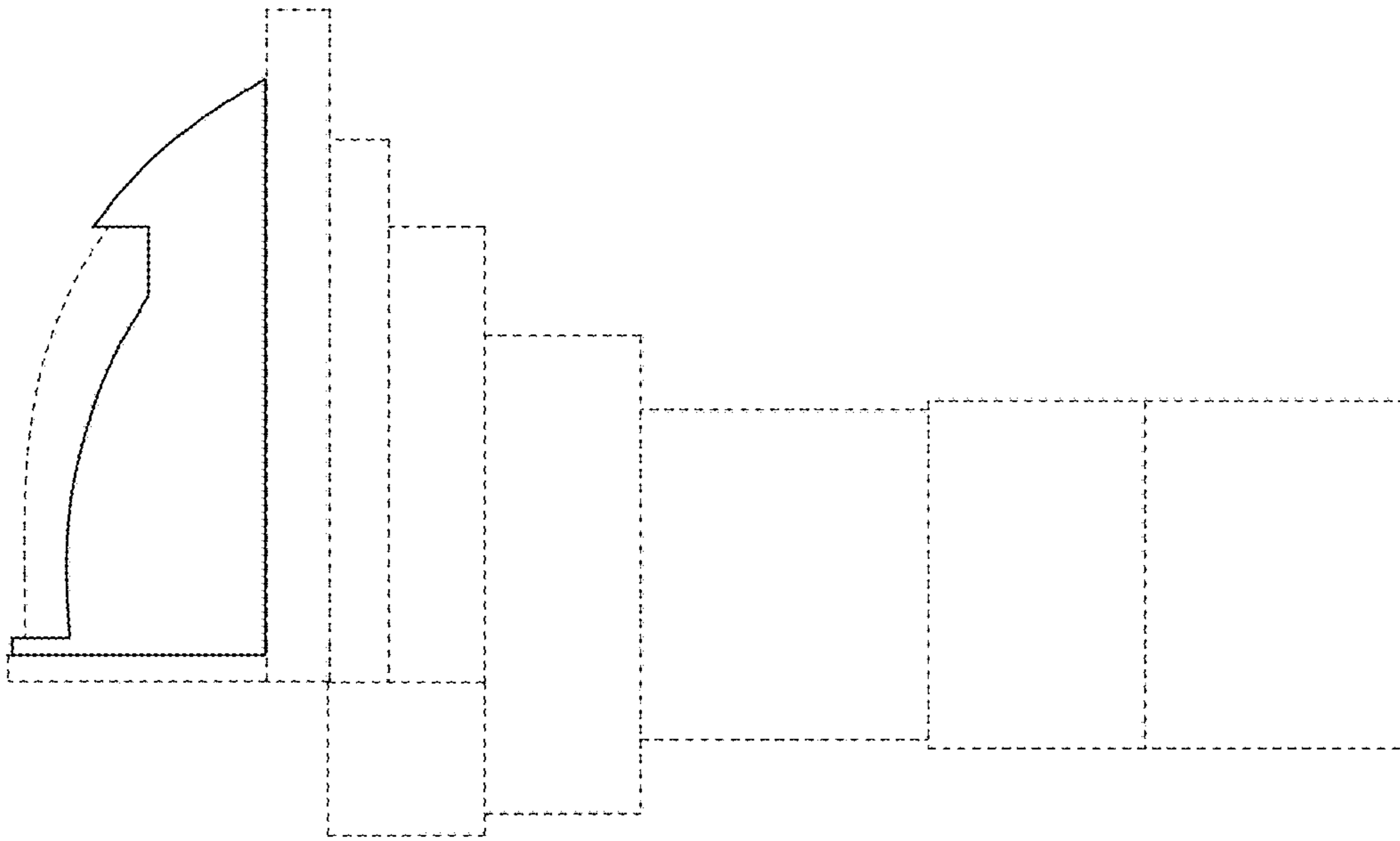




FIG.15

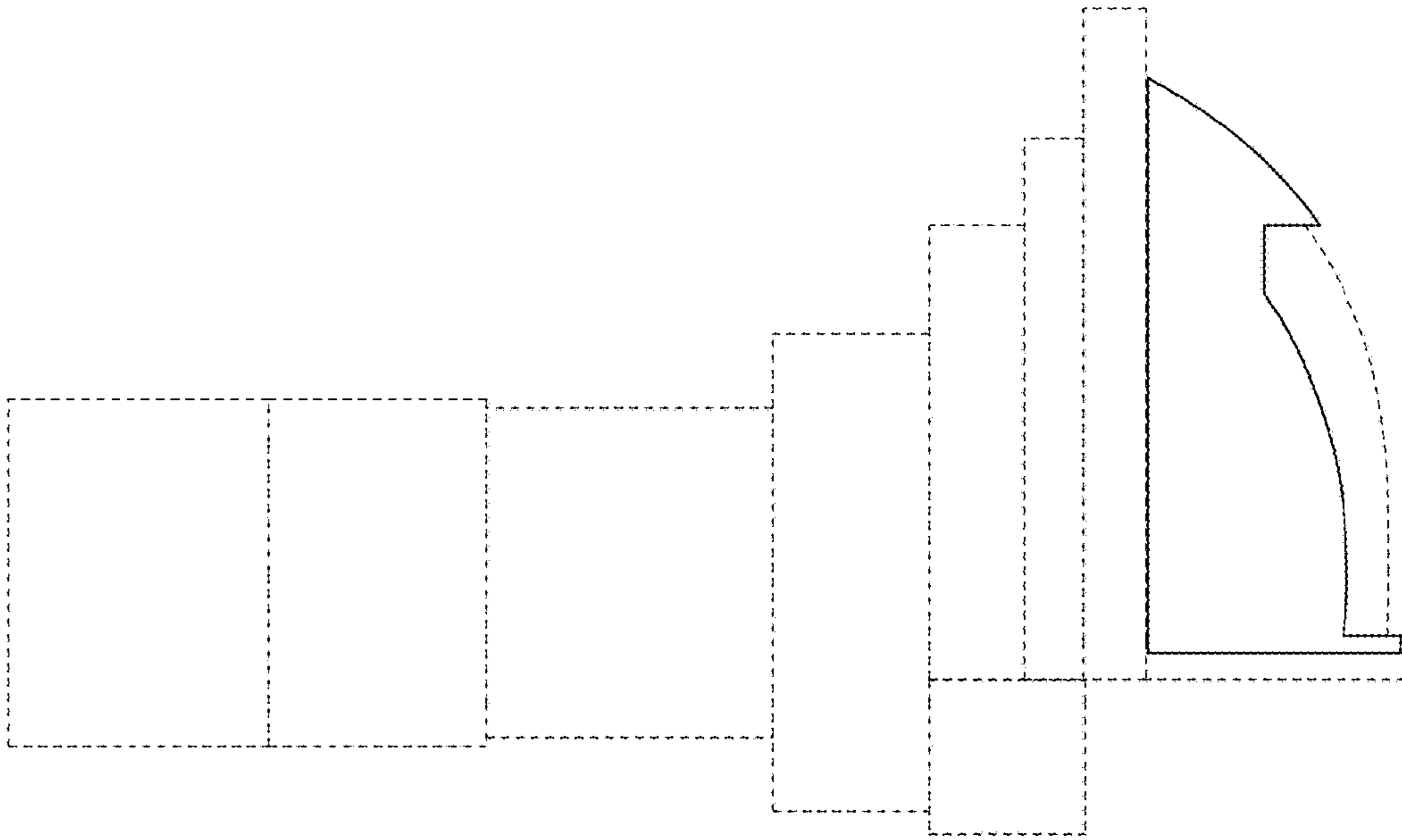


FIG.16

