



US00D849120S

(12) **United States Design Patent** (10) **Patent No.:** **US D849,120 S**
Ahman et al. (45) **Date of Patent:** **** May 21, 2019**

(54) **MONITORING CAMERA**

G08B 13/19632; F16M 11/04; F16M 13/00

(71) Applicant: **AXIS AB**, Lund (SE)

See application file for complete search history.

(72) Inventors: **Daniel Ahman**, Lomma (SE); **Mathias Walter**, Arlov (SE); **Nina Bergius**, Lund (SE); **Kristoffer Barnekow**, Lund (SE); **Maiko Karlsson**, Lund (SE); **Peter Betmark**, Lund (SE)

(56) **References Cited**

U.S. PATENT DOCUMENTS

D425,535 S	5/2000	Mutoh et al.
D452,696 S	1/2002	Fenton
D552,501 S	10/2007	Lin et al.
D575,810 S	8/2008	Alm
D610,183 S	2/2010	Nohavec et al.
D628,225 S	11/2010	Deurwaarder
D633,120 S	2/2011	Ham
D639,842 S	6/2011	Zeinoun et al.
8,066,438 B2	11/2011	Takahashi
D688,720 S	8/2013	Yilin
8,558,945 B2	10/2013	Yamauchi et al.

(Continued)

(73) Assignee: **AXIS AB**, Lund (SE)

(**) Term: **15 Years**

(21) Appl. No.: **29/645,550**

(22) Filed: **Apr. 27, 2018**

FOREIGN PATENT DOCUMENTS

EM	001307292-01-03	12/2011
EM	001307342-01-06	12/2011

(Continued)

Related U.S. Application Data

(62) Division of application No. 29/607,403, filed on Jun. 13, 2017.

Primary Examiner — Ramzi S Almatrahi

(74) *Attorney, Agent, or Firm* — Volpe and Koenig, P.C.

(30) **Foreign Application Priority Data**

Dec. 13, 2016 (EM) 003514991

(51) **LOC (11) Cl.** **16-05**

(52) **U.S. Cl.**
USPC **D16/219**; D16/203

(57) **CLAIM**

The ornamental design for a monitoring camera, as shown and described.

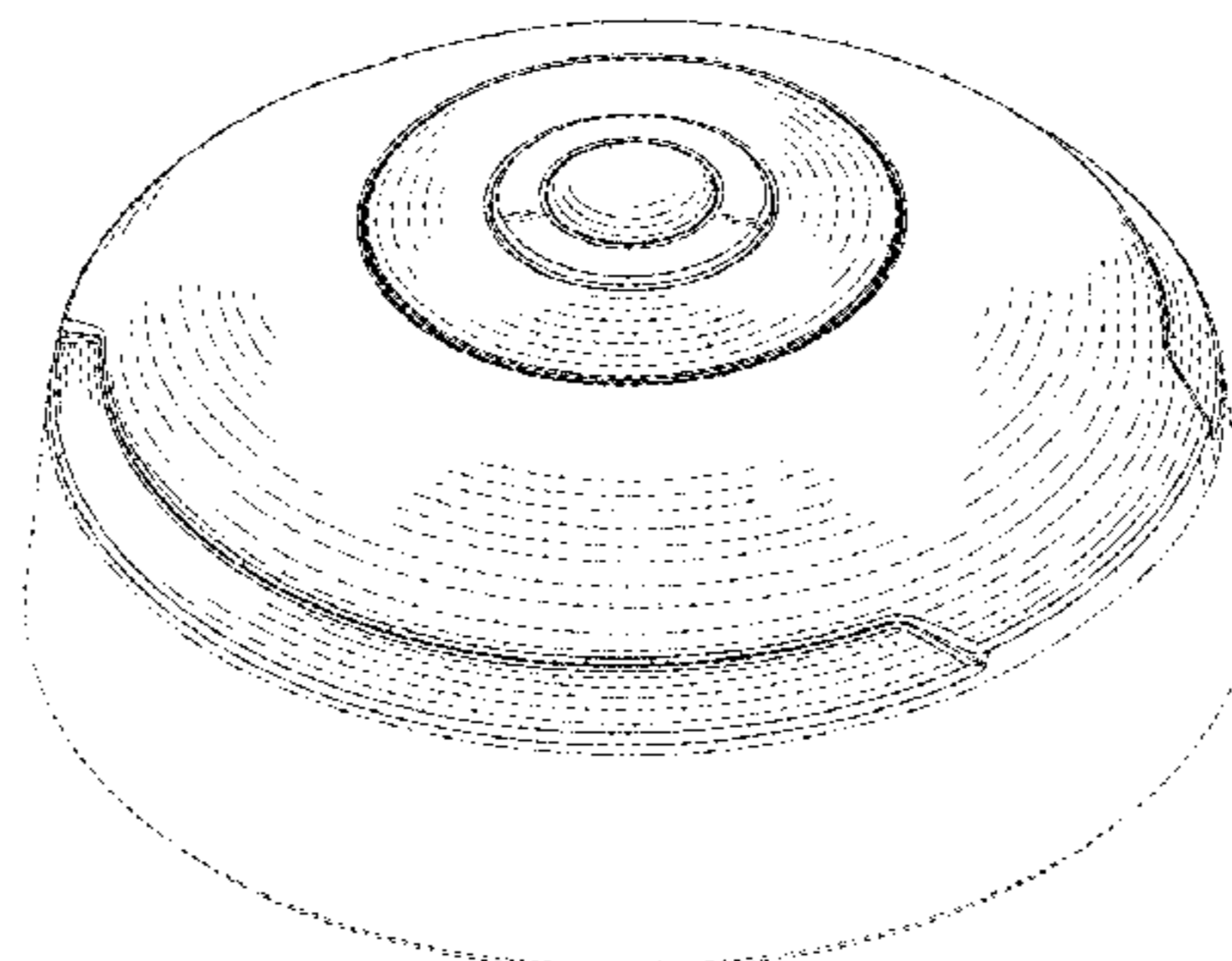
(58) **Field of Classification Search**

USPC D16/200, 202–206, 218, 219, 242;
348/143, 148, 151, 373–376; 396/419,
396/427, 535, 539–541
CPC G03B 17/02; G03B 19/04; G03B 17/56;
G03B 17/04; G03B 15/03; H04N 5/2251;
H04N 5/2252; H04N 5/2253; H04N
5/2254; H04N 7/181; H04N 7/183; H04N
7/18; G08B 13/1963; G08B 13/19619;

DESCRIPTION

FIG. 1 is a perspective view of a monitoring camera;
FIG. 2 is a top plan view thereof;
FIG. 3 is a right side elevational view thereof;
FIG. 4 is a left side elevational view thereof;
FIG. 5 is a front plan view thereof;
FIG. 6 is a rear elevational view thereof; and,
FIG. 7 is a bottom plan view thereof.
The broken lines represent portions of the monitoring camera in which the design is embodied that form no part of the

(Continued)



claimed design. The dot-dot-dash boundary lines denote the boundary of the claim and form no part of the claimed design.

1 Claim, 4 Drawing Sheets

(56) **References Cited**

U.S. PATENT DOCUMENTS

D751,621	S	*	3/2016	Katori	D16/203
D752,674	S	*	3/2016	Katori	D16/203
D772,324	S	*	11/2016	Bennermark	D16/203
D781,169	S	*	3/2017	Wang	D10/106.5
D786,725	S	*	5/2017	McCormick	D10/106.5
D796,566	S	*	9/2017	Bingleman	D16/203
D796,567	S	*	9/2017	Bingleman	D16/203
D796,568	S	*	9/2017	Bingleman	D16/203
D798,933	S	*	10/2017	Little	D16/203
D816,755	S	*	5/2018	Barnekow	D16/203
D822,088	S	*	7/2018	Park	D16/203
D827,011	S	*	8/2018	Kip	D16/202
2013/0223833	A1		8/2013	Tenenbaum et al.		

FOREIGN PATENT DOCUMENTS

EM	001343578-01-07	9/2012
EM	002877035-0001	11/2015
TW	D156914	11/2013

* cited by examiner

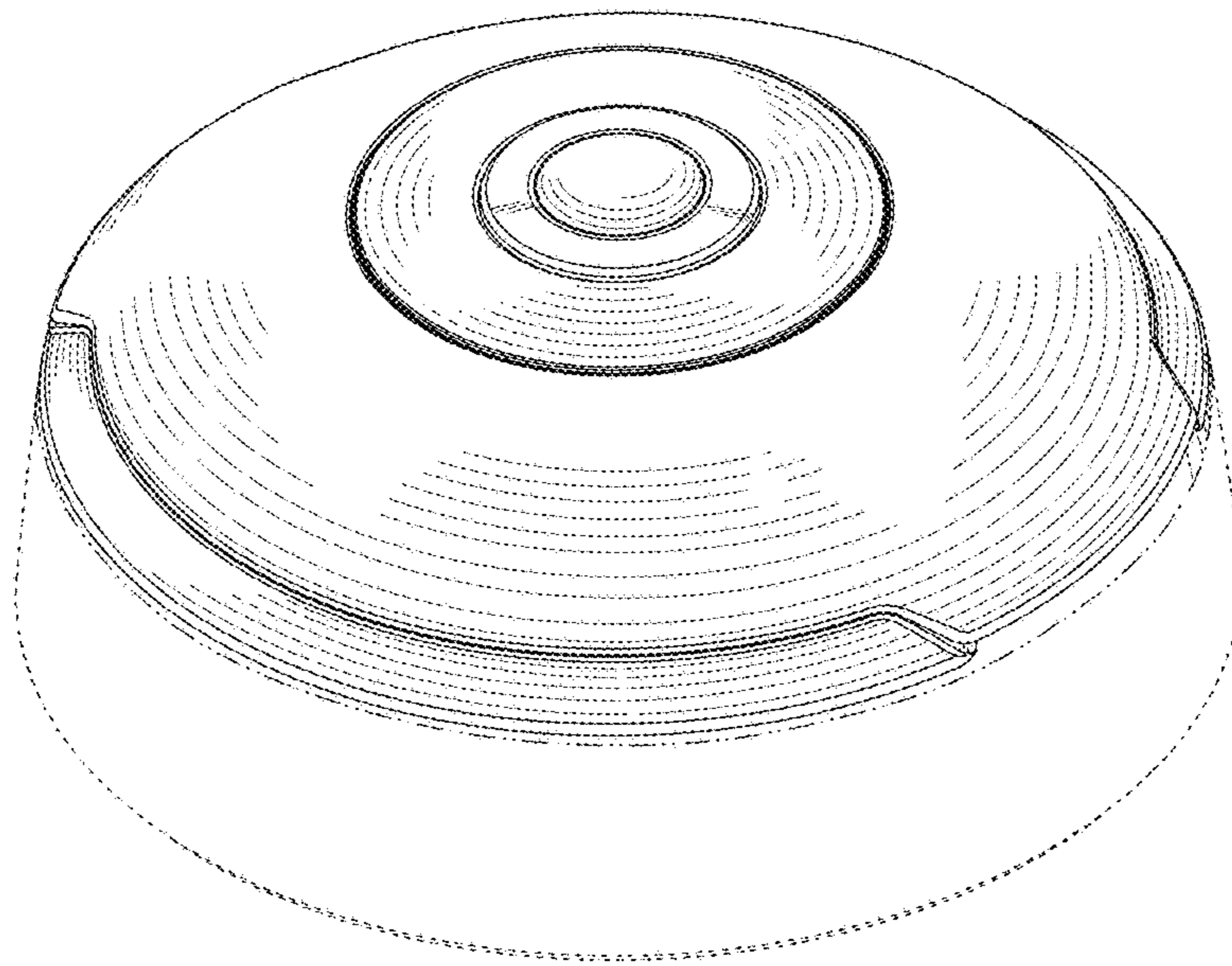


Fig. 1

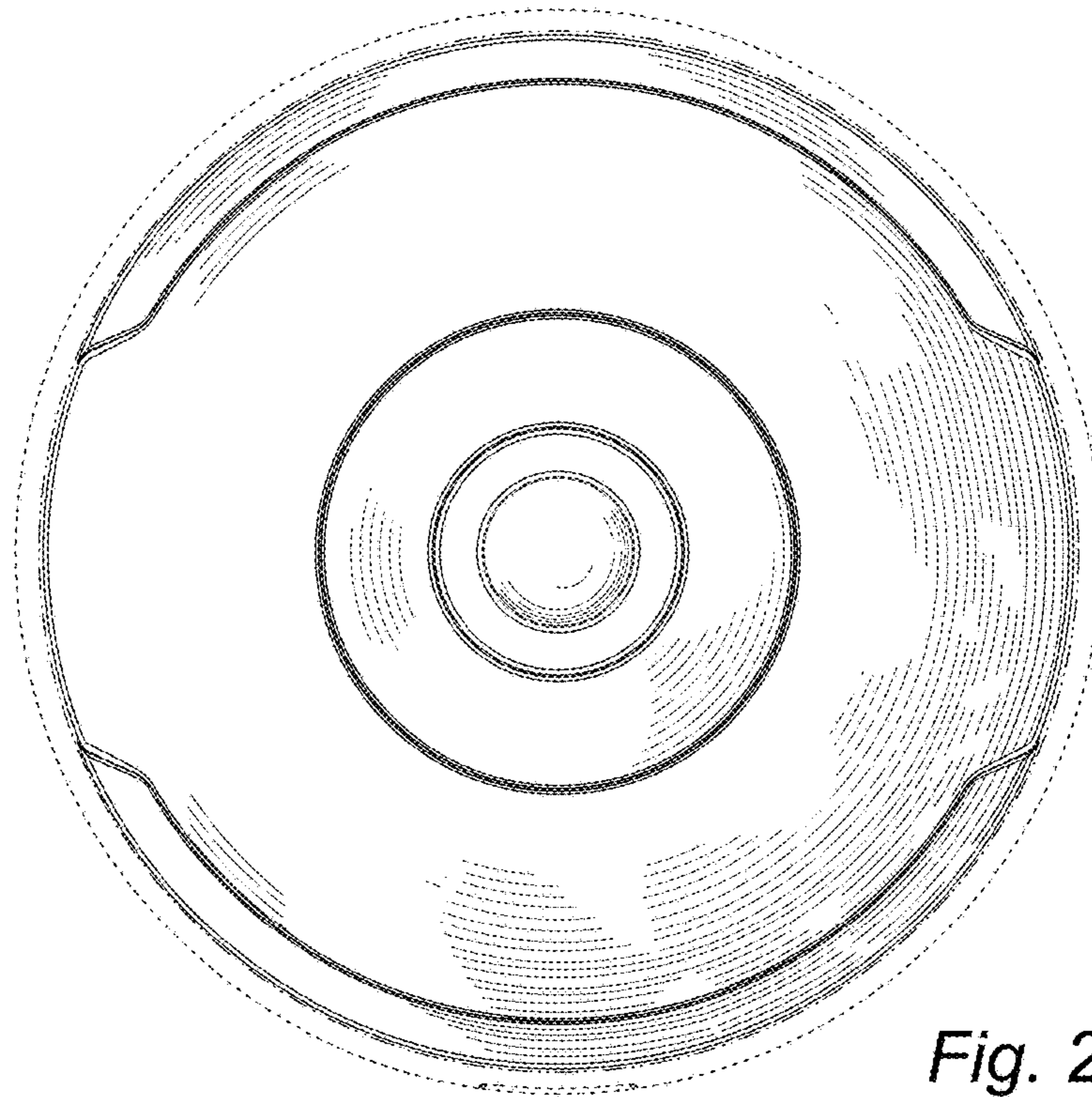


Fig. 2

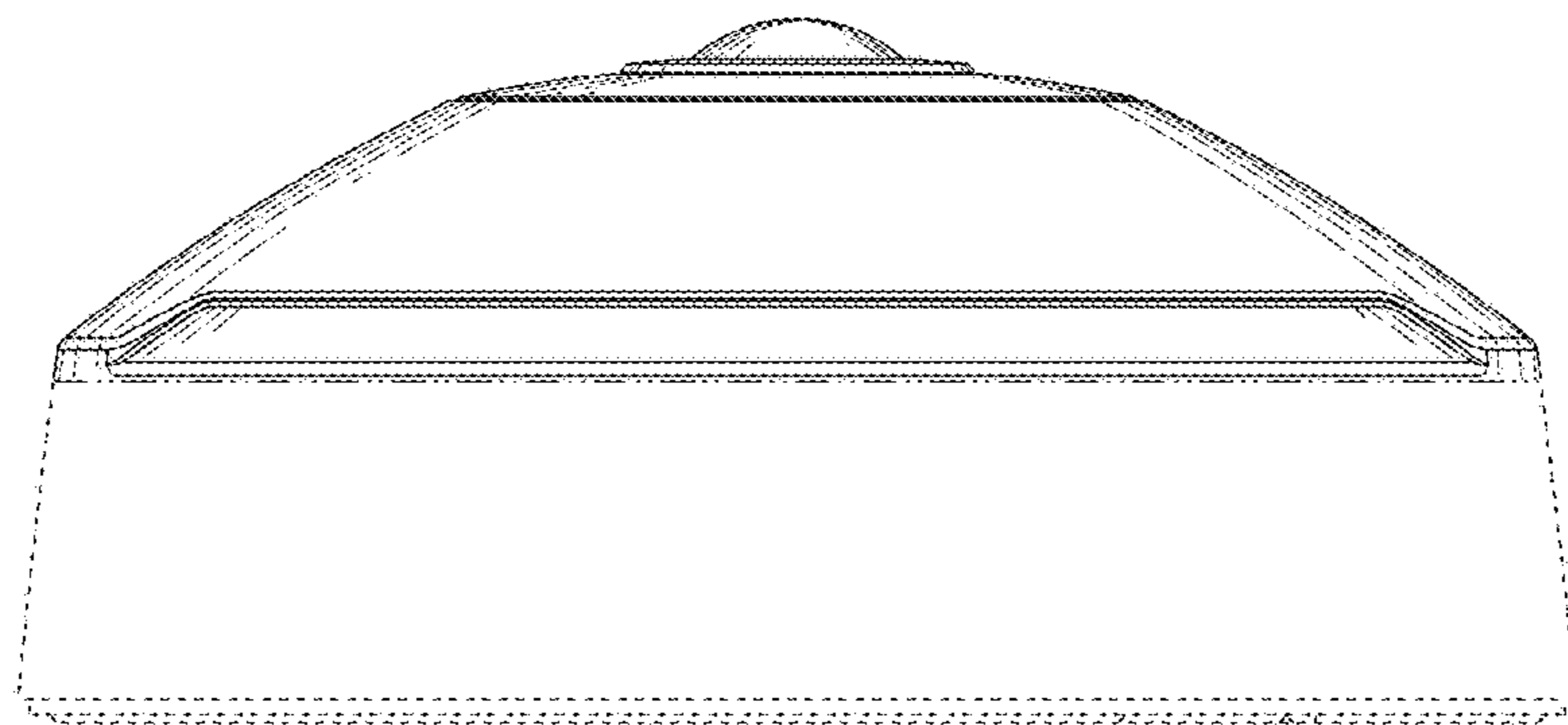


Fig. 3

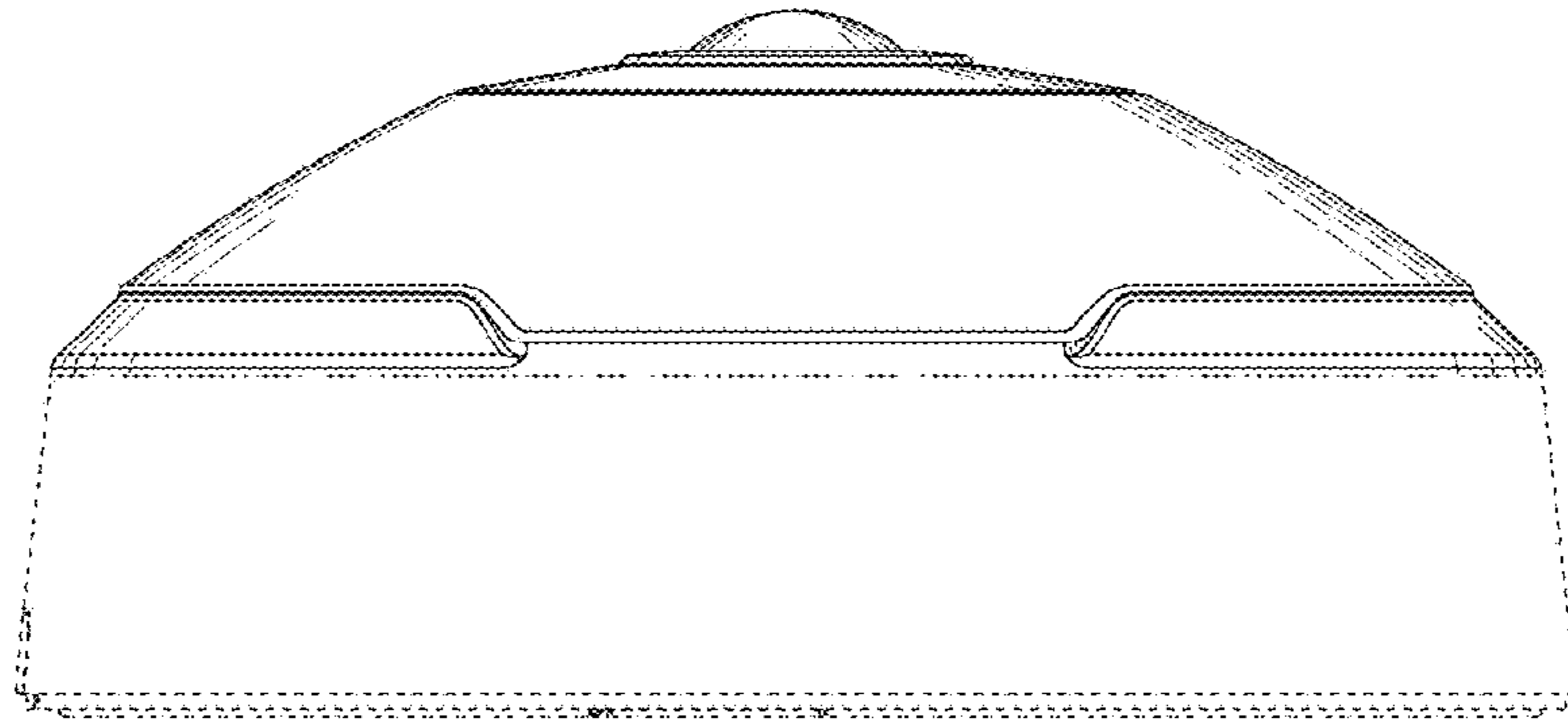


Fig. 4

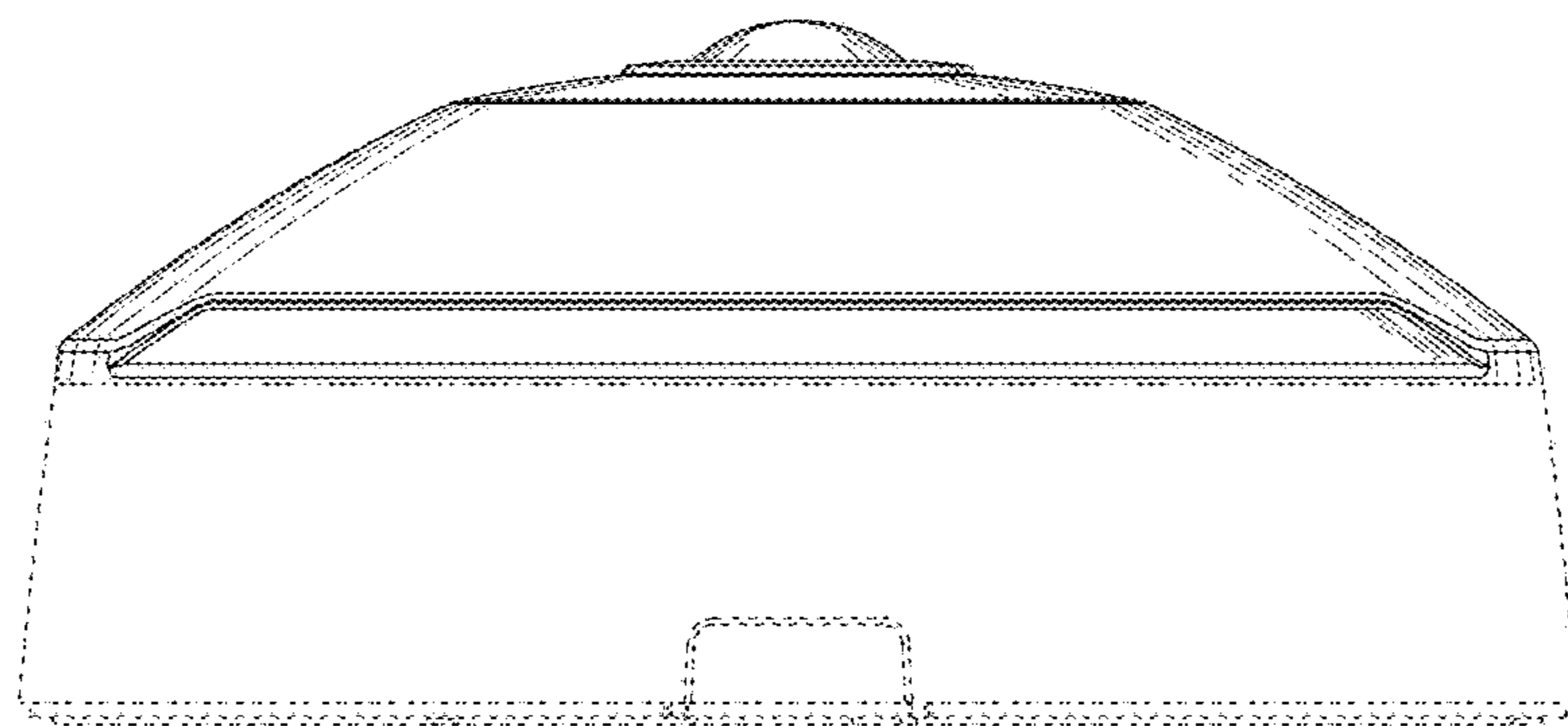


Fig. 5

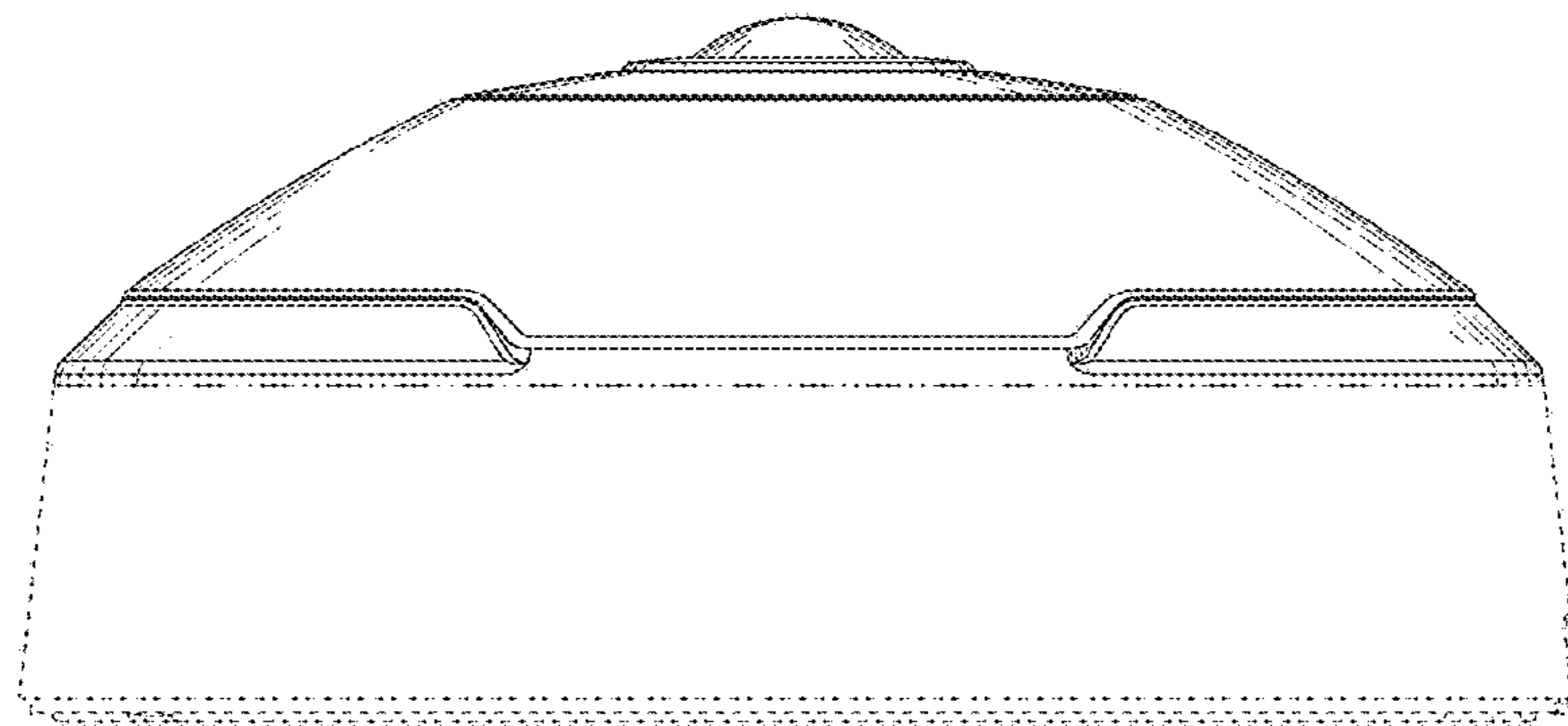


Fig. 6

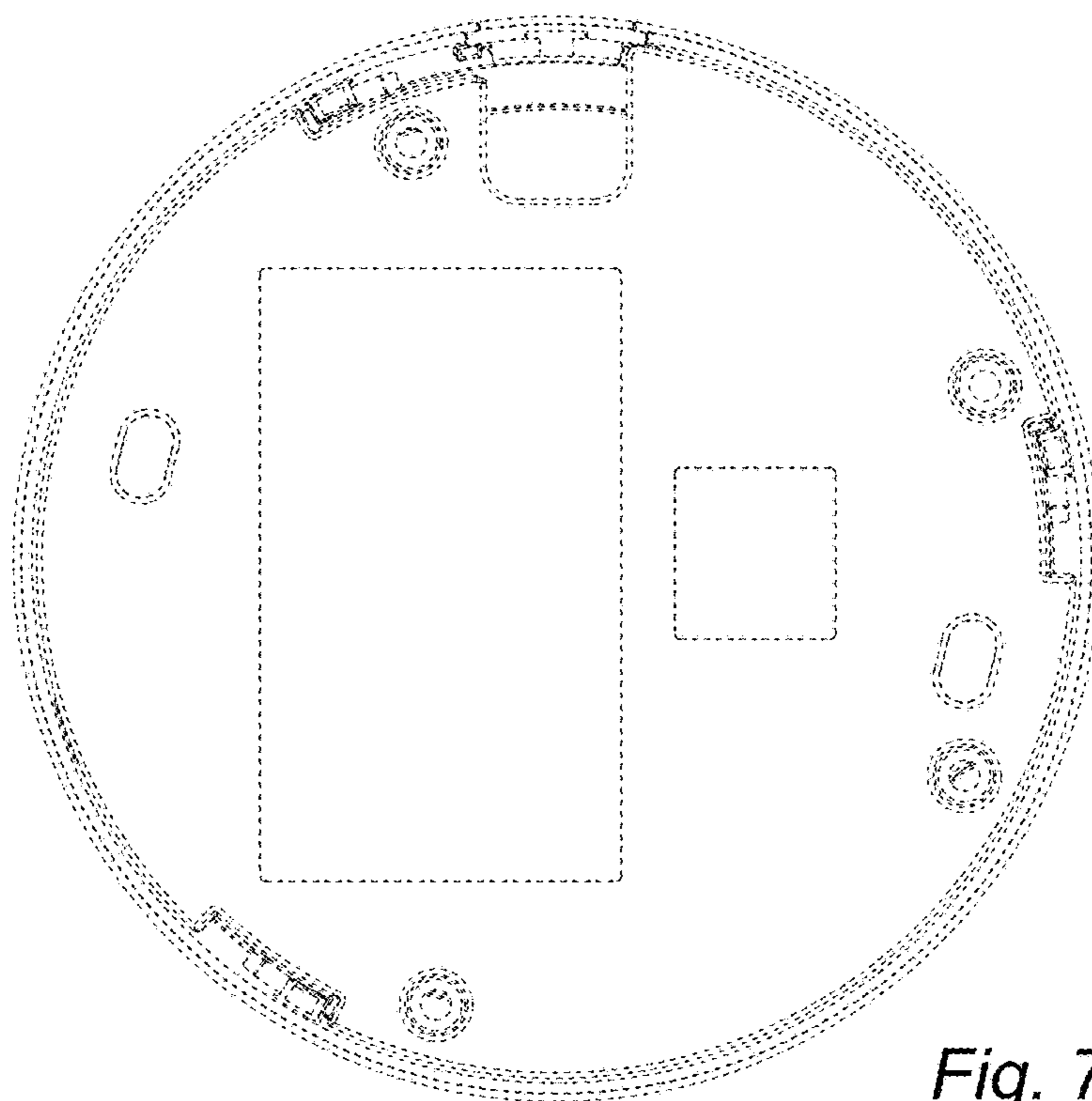


Fig. 7