



US00D849118S

(12) **United States Design Patent**
Sakai

(10) **Patent No.:** **US D849,118 S**

(45) **Date of Patent:** **** May 21, 2019**

(54) **DIGITAL CAMERA OF LENS REPLACING TYPE**

(71) Applicant: **OLYMPUS CORPORATION**,
Hachioji-shi, Tokyo (JP)

(72) Inventor: **Koji Sakai**, Hachioji (JP)

(73) Assignee: **OLYMPUS CORPORATION**, Tokyo
(JP)

(**) Term: **15 Years**

(21) Appl. No.: **29/623,536**

(22) Filed: **Oct. 25, 2017**

(30) **Foreign Application Priority Data**

Jun. 7, 2017 (JP) 2017-012216

(51) **LOC (11) Cl.** **16-05**

(52) **U.S. Cl.**
USPC **D16/219**

(58) **Field of Classification Search**

USPC D16/200, 202-205, 208, 209, 218, 219;
348/373-376; 396/535, 538-541

CPC G03B 17/02; G03B 19/04; G03B 17/56;
G03B 17/04; G03B 15/03; G03B 15/05;
H04N 5/2251; H04N 5/2252; H04N
5/2253; H04N 5/2254; H04N 2007/145;
H04N 7/141; H04N 7/142; H04N 7/147;
H04N 7/148; H04N 7/15; H04N 7/152

See application file for complete search history.

(56) **References Cited**

U.S. PATENT DOCUMENTS

D609,730 S * 2/2010 Nakamura D16/202
D681,090 S * 4/2013 Tainaka D16/200

D701,257 S * 3/2014 Ogawa D16/202
D706,329 S * 6/2014 Sakai D16/202
D724,643 S * 3/2015 Kim D16/219
D738,418 S * 9/2015 Imai D16/202
D754,771 S * 4/2016 Nohara D16/219
D776,743 S * 1/2017 Nohara D16/219
D816,147 S * 4/2018 Sakai D16/219

OTHER PUBLICATIONS

Related Design U.S. Appl. No. 29/623,527, filed Oct. 25, 2017, First Named Inventor: Koji Sakai, Title: "Digital Camera of Lens Replacing Type".

* cited by examiner

Primary Examiner — Ramzi S Almatrahi

(74) *Attorney, Agent, or Firm* — Holtz, Holtz & Volek PC

(57) **CLAIM**

The ornamental design for a digital camera of lens replacing type, as shown and described.

DESCRIPTION

FIG. 1 is a front, top and right side perspective view of a digital camera of lens replacing type showing my new design;

FIG. 2 is a rear, top and left side perspective view thereof;

FIG. 3 is a front elevational view thereof;

FIG. 4 is a rear elevational view thereof;

FIG. 5 is a top plan view thereof;

FIG. 6 is a bottom plan view thereof;

FIG. 7 is a right side elevational view thereof; and,

FIG. 8 is a left side elevational view thereof.

The broken line depict portions of a digital camera of lens replacing type in which the design is embodied and form no part of the claimed design.

1 Claim, 7 Drawing Sheets

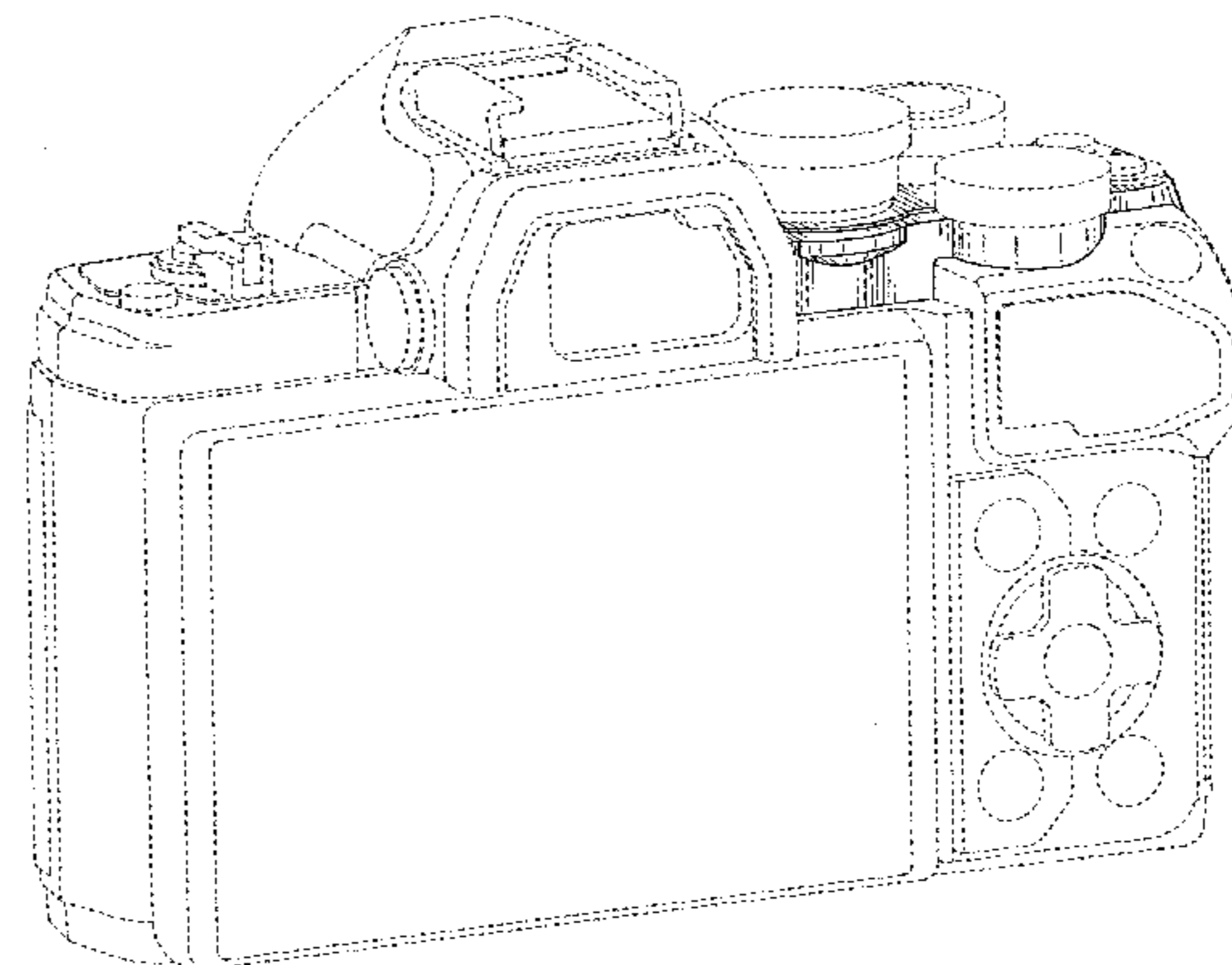
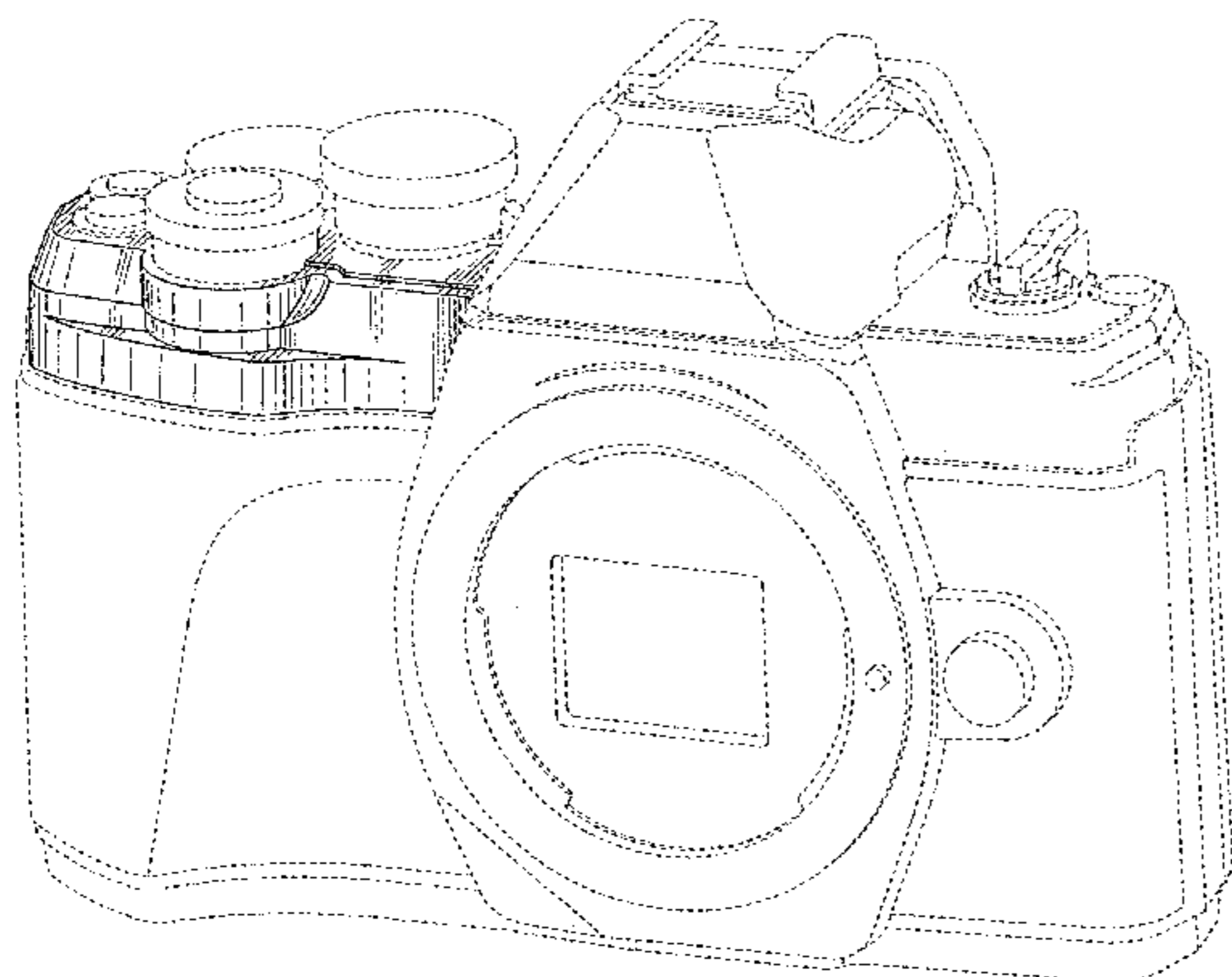


FIG.1

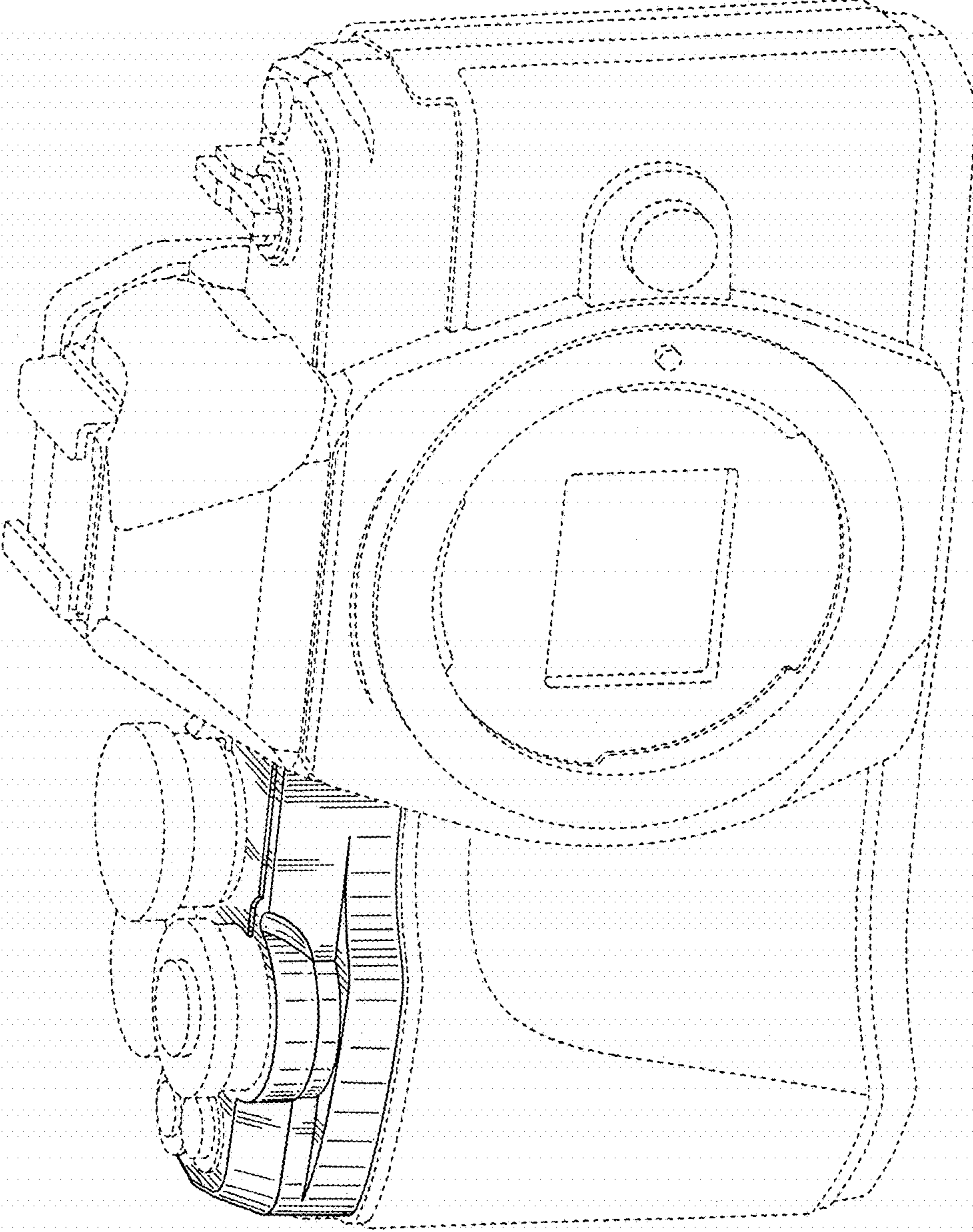


FIG.2

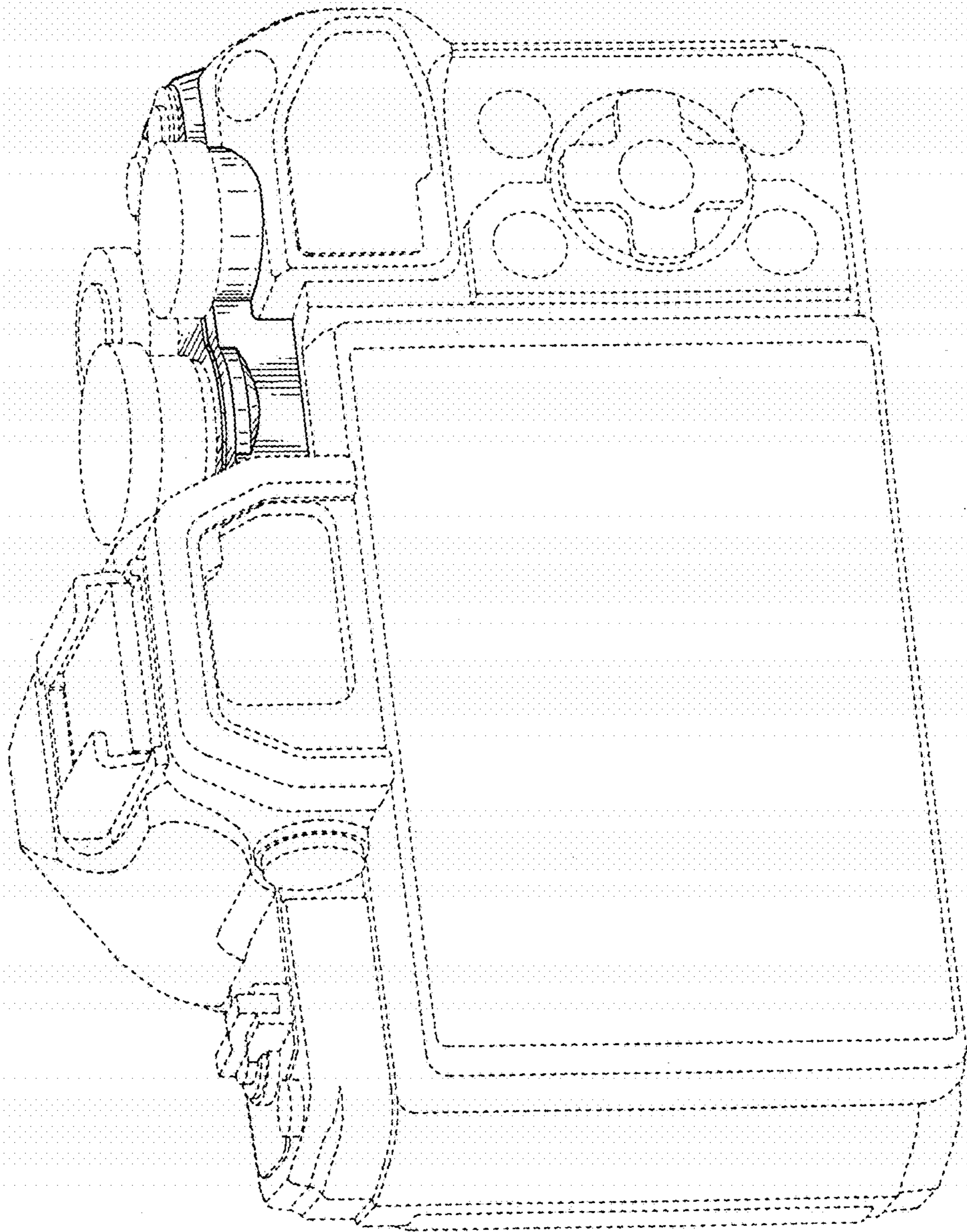


FIG.3

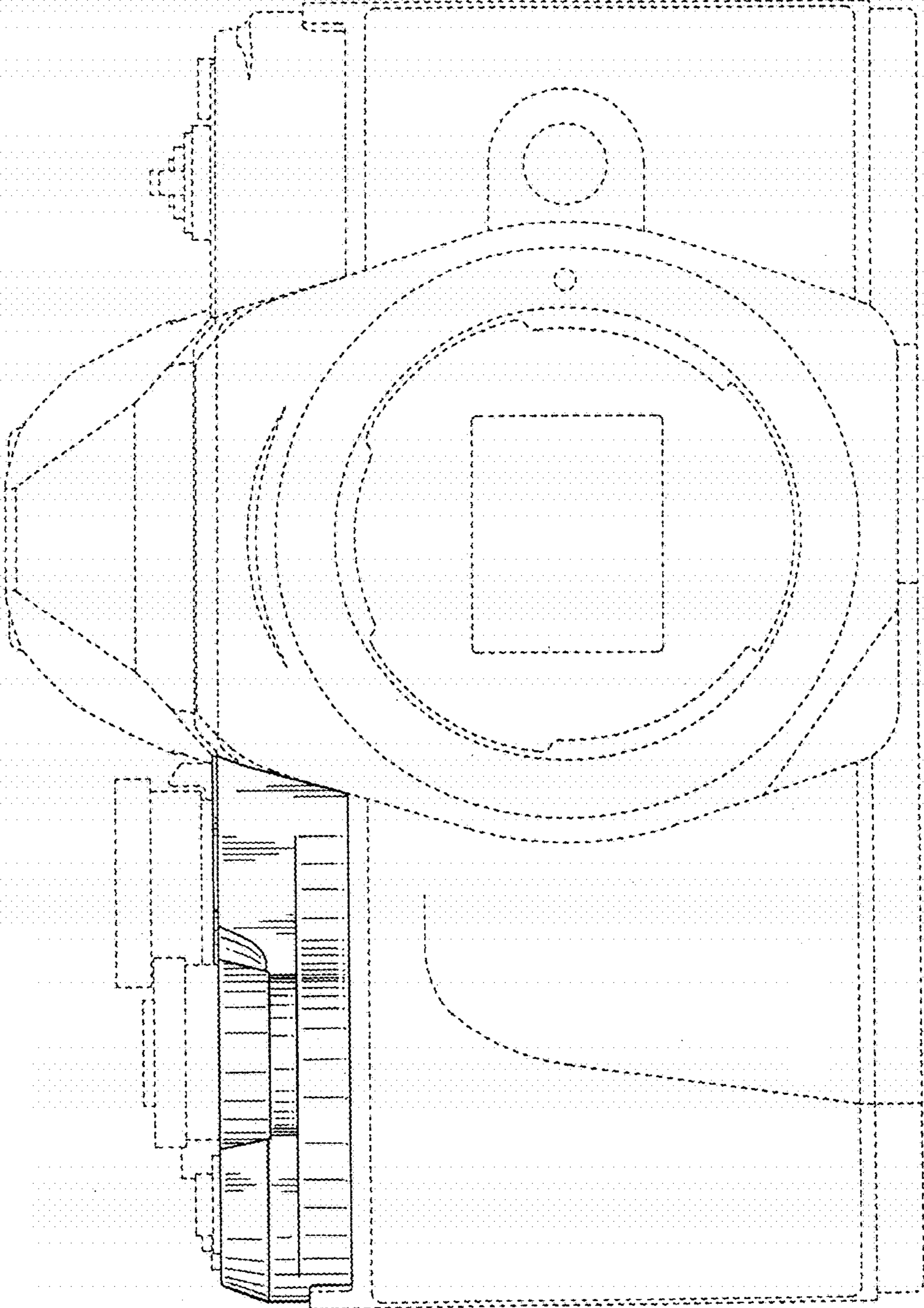


FIG.4

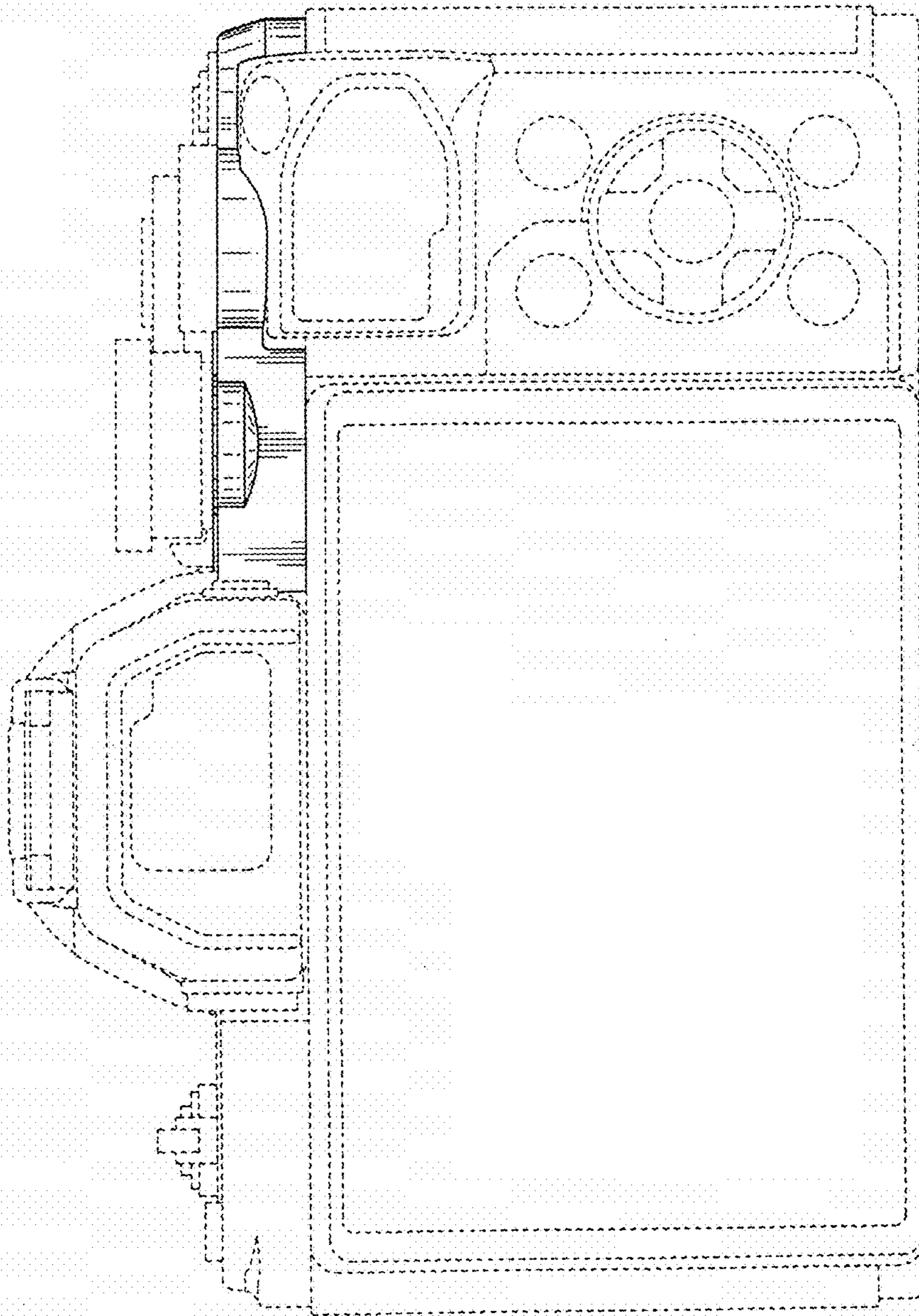


FIG.5

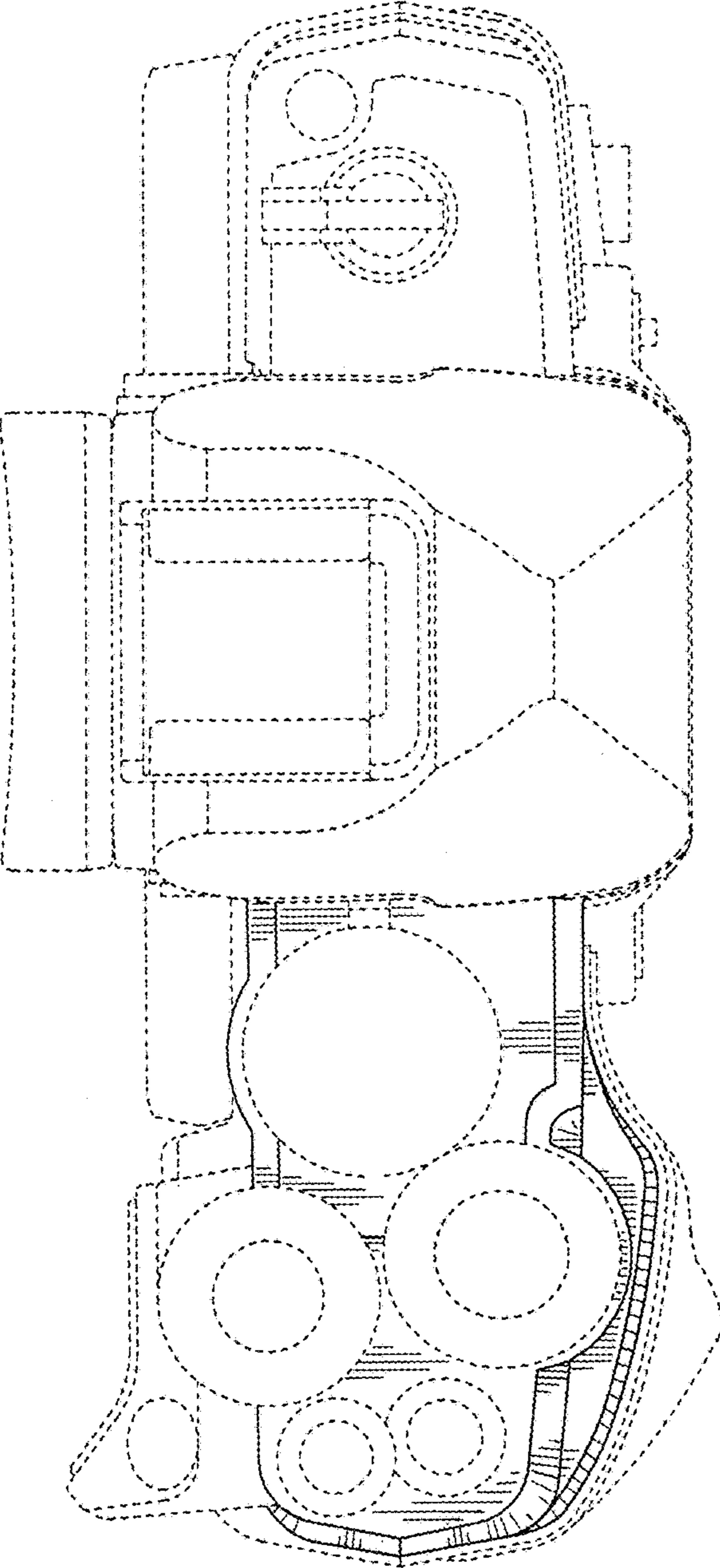


FIG.6

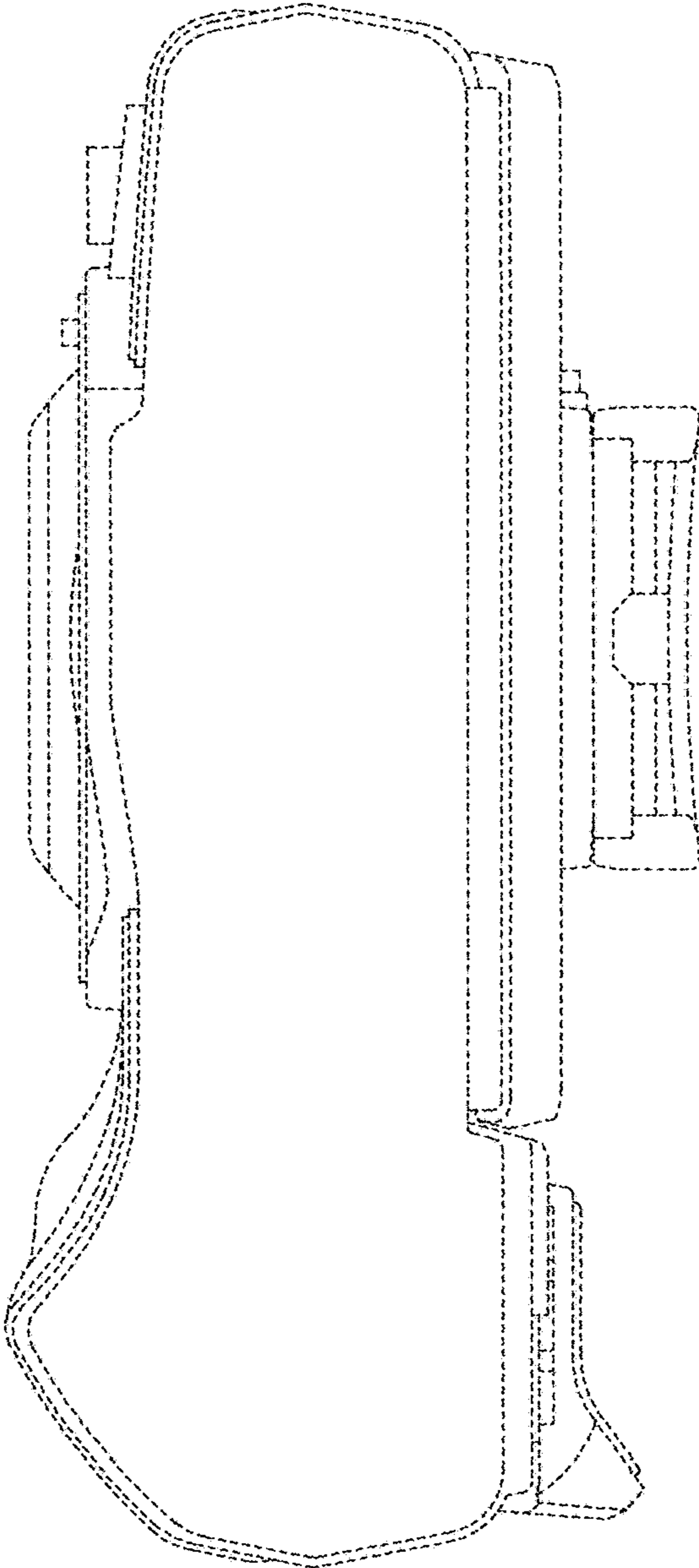


FIG.8

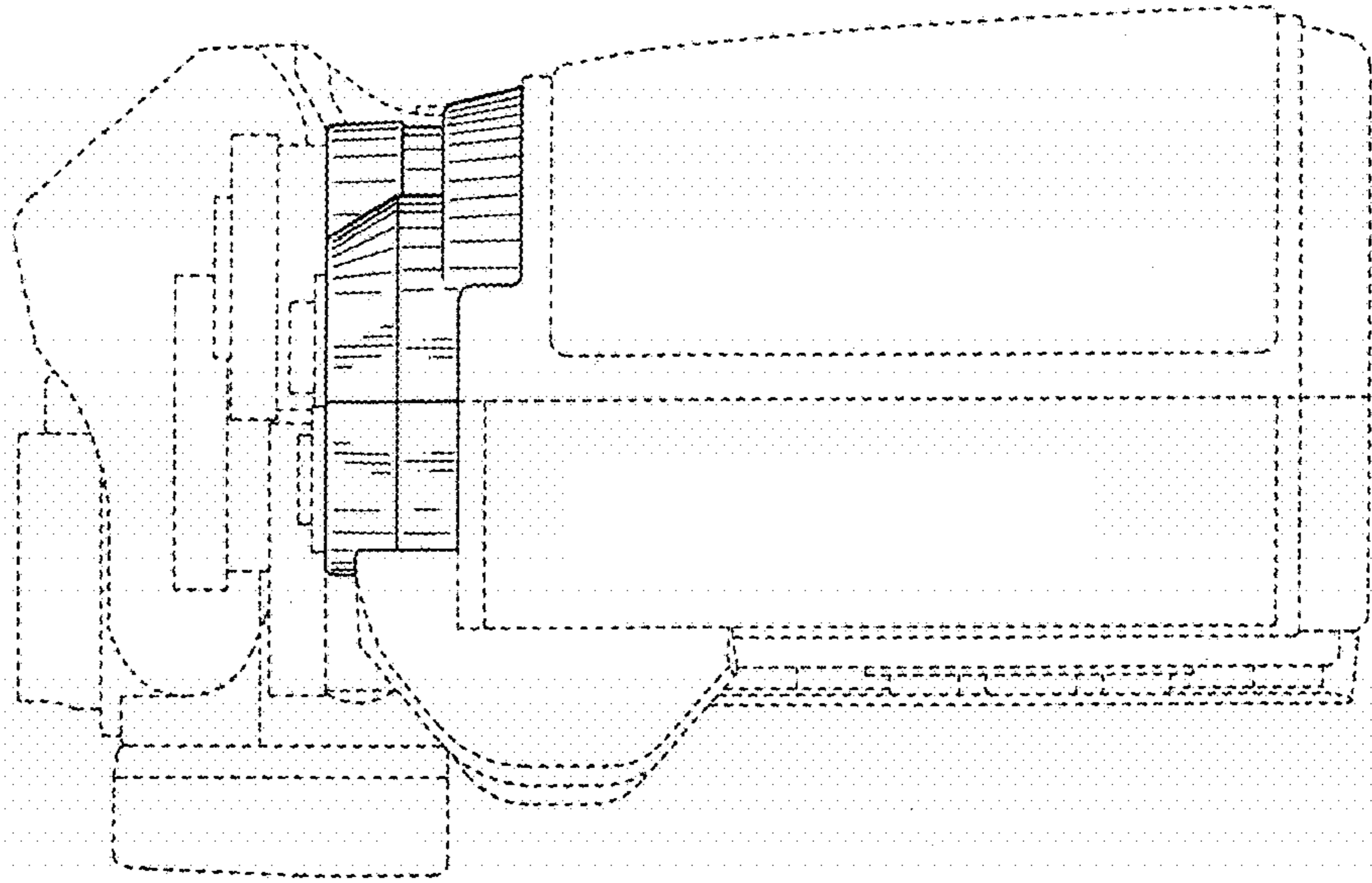


FIG.7

