



US00D849117S

(12) **United States Design Patent** (10) **Patent No.:** **US D849,117 S**  
**Sakai** (45) **Date of Patent:** **\*\* May 21, 2019**

(54) **DIGITAL CAMERA OF LENS REPLACING TYPE**

(71) Applicant: **OLYMPUS CORPORATION**,  
Hachioji-shi, Tokyo (JP)

(72) Inventor: **Koji Sakai**, Hachioji (JP)

(73) Assignee: **OLYMPUS CORPORATION**, Tokyo  
(JP)

(\*\*) Term: **15 Years**

(21) Appl. No.: **29/623,527**

(22) Filed: **Oct. 25, 2017**

(30) **Foreign Application Priority Data**

Jun. 7, 2017 (JP) ..... 2017-012215

(51) **LOC (11) Cl.** ..... **16-05**

(52) **U.S. Cl.**  
USPC ..... **D16/219**

(58) **Field of Classification Search**

USPC ..... D16/200, 202–205, 208, 209, 218, 219;  
348/373–376; 396/535, 538–541  
CPC ..... G03B 17/02; G03B 19/04; G03B 17/56;  
G03B 17/04; G03B 15/03; G03B 15/05;  
H04N 5/2251; H04N 5/2252; H04N  
5/2253; H04N 5/2254; H04N 2007/145;  
H04N 7/141; H04N 7/142; H04N 7/147;  
H04N 7/148; H04N 7/15; H04N 7/152  
See application file for complete search history.

(56) **References Cited**

**U.S. PATENT DOCUMENTS**

D609,730 S \* 2/2010 Nakamura ..... D16/202  
D681,090 S \* 4/2013 Tainaka ..... D16/200

D701,257 S \* 3/2014 Ogawa ..... D16/202  
D706,329 S \* 6/2014 Sakai ..... D16/202  
D724,643 S \* 3/2015 Kim ..... D16/219  
D738,418 S \* 9/2015 Imai ..... D16/202  
D754,771 S \* 4/2016 Nohara ..... D16/219  
D776,743 S \* 1/2017 Nohara ..... D16/219  
D816,147 S \* 4/2018 Sakai ..... D16/219

**OTHER PUBLICATIONS**

Related Design U.S. Appl. No. 29/623,536, filed Oct. 25, 2017, First  
Named Inventor: Koji Sakai, Title: “Digital Camera of Lens Replac-  
ing Type”.

\* cited by examiner

*Primary Examiner* — Ramzi S Almatrahi

(74) *Attorney, Agent, or Firm* — Holtz, Holtz & Volek PC

(57) **CLAIM**

The ornamental design for a digital camera of lens replacing  
type, as shown and described.

**DESCRIPTION**

FIG. 1 is a rear, top and right side perspective view of a  
digital camera of lens replacing type showing my new  
design;  
FIG. 2 is a front elevational view thereof;  
FIG. 3 is a rear elevational view thereof;  
FIG. 4 is a top plan view thereof;  
FIG. 5 is a bottom plan view thereof;  
FIG. 6 is a right side elevational view thereof; and,  
FIG. 7 is a left side elevational view thereof.  
The broken lines depict portions of a digital camera of lens  
replacing type in which the design is embodied and form no  
part of the claimed design.

**1 Claim, 6 Drawing Sheets**

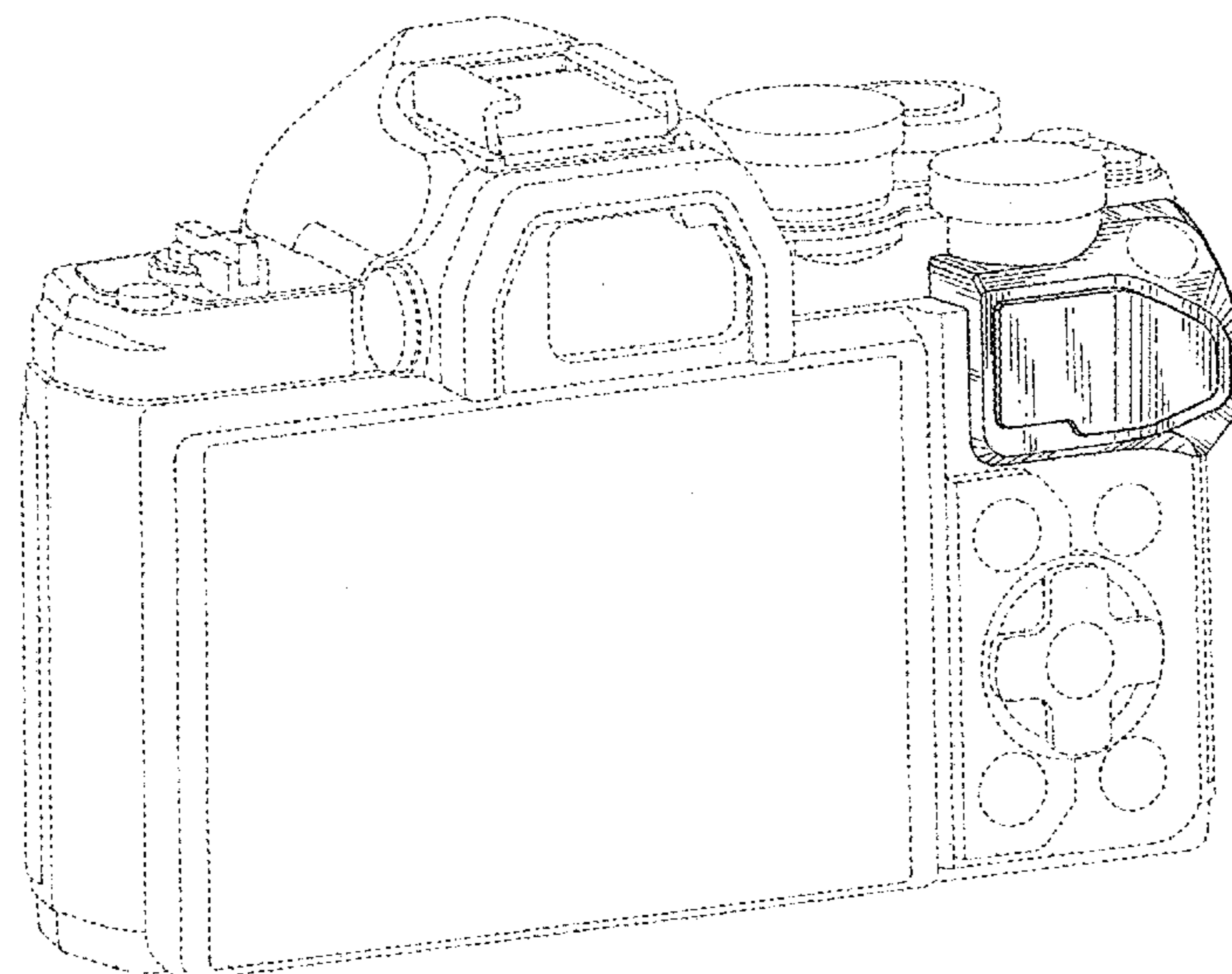
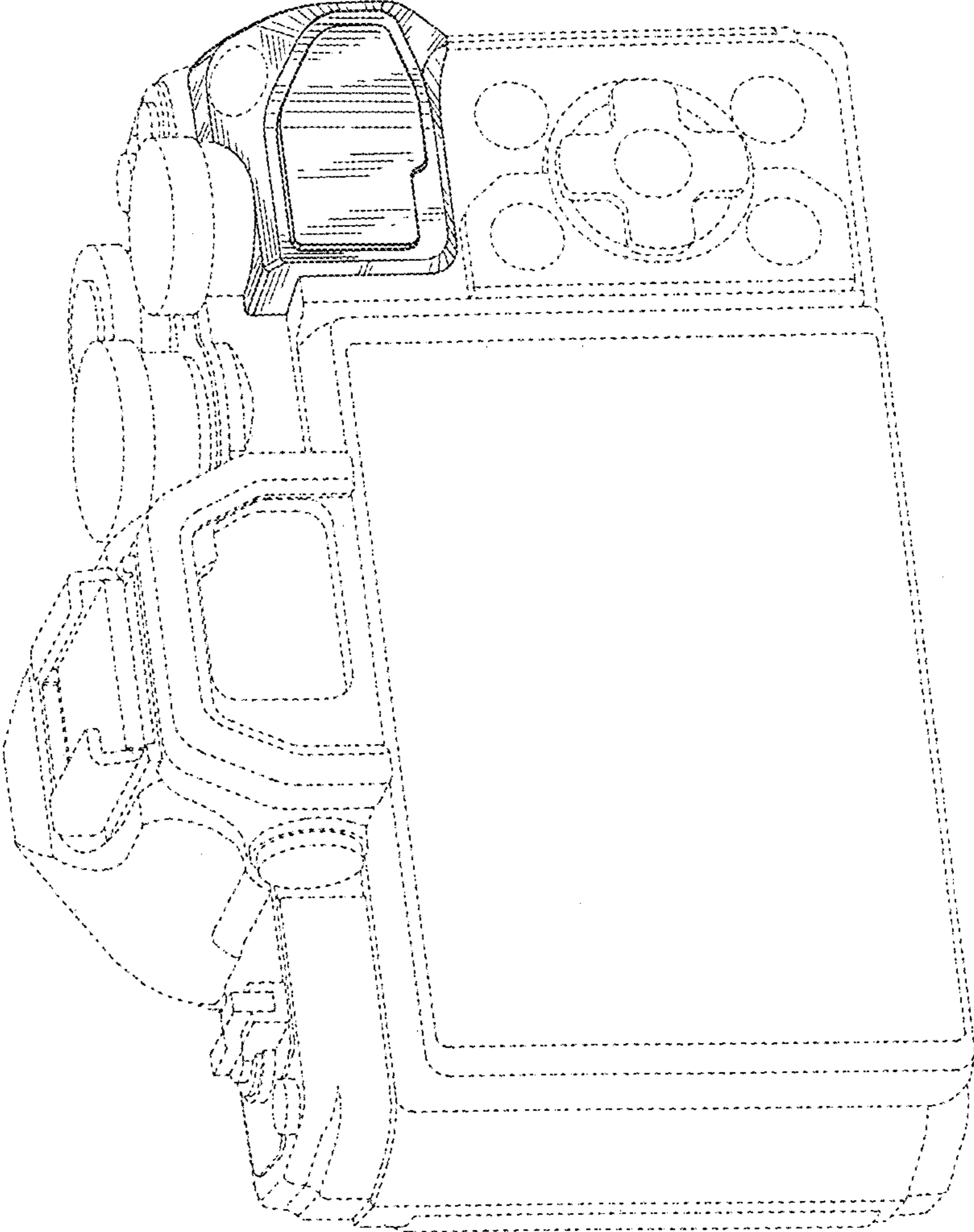


FIG.1



**FIG.2**

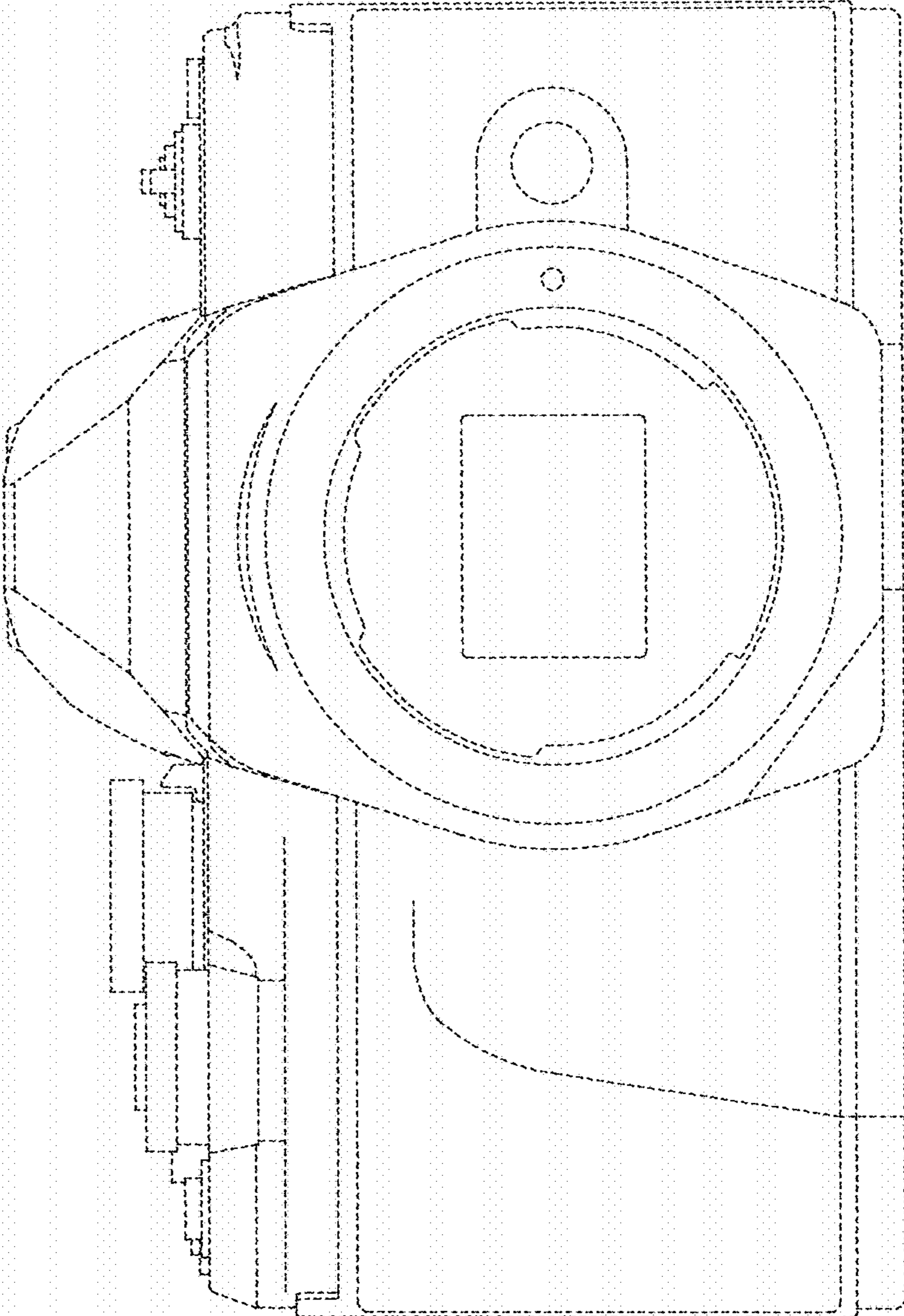


FIG. 3

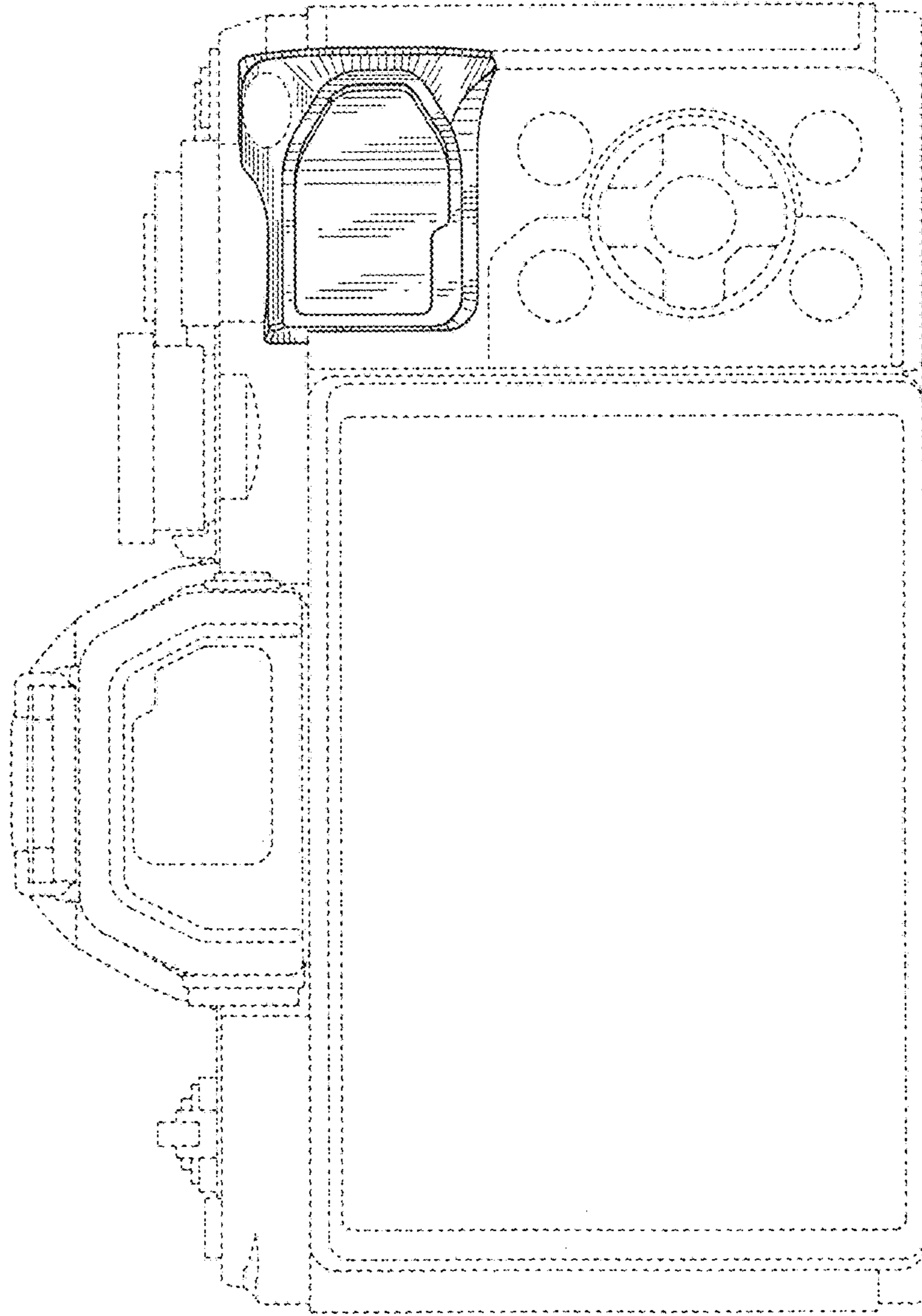


FIG.4

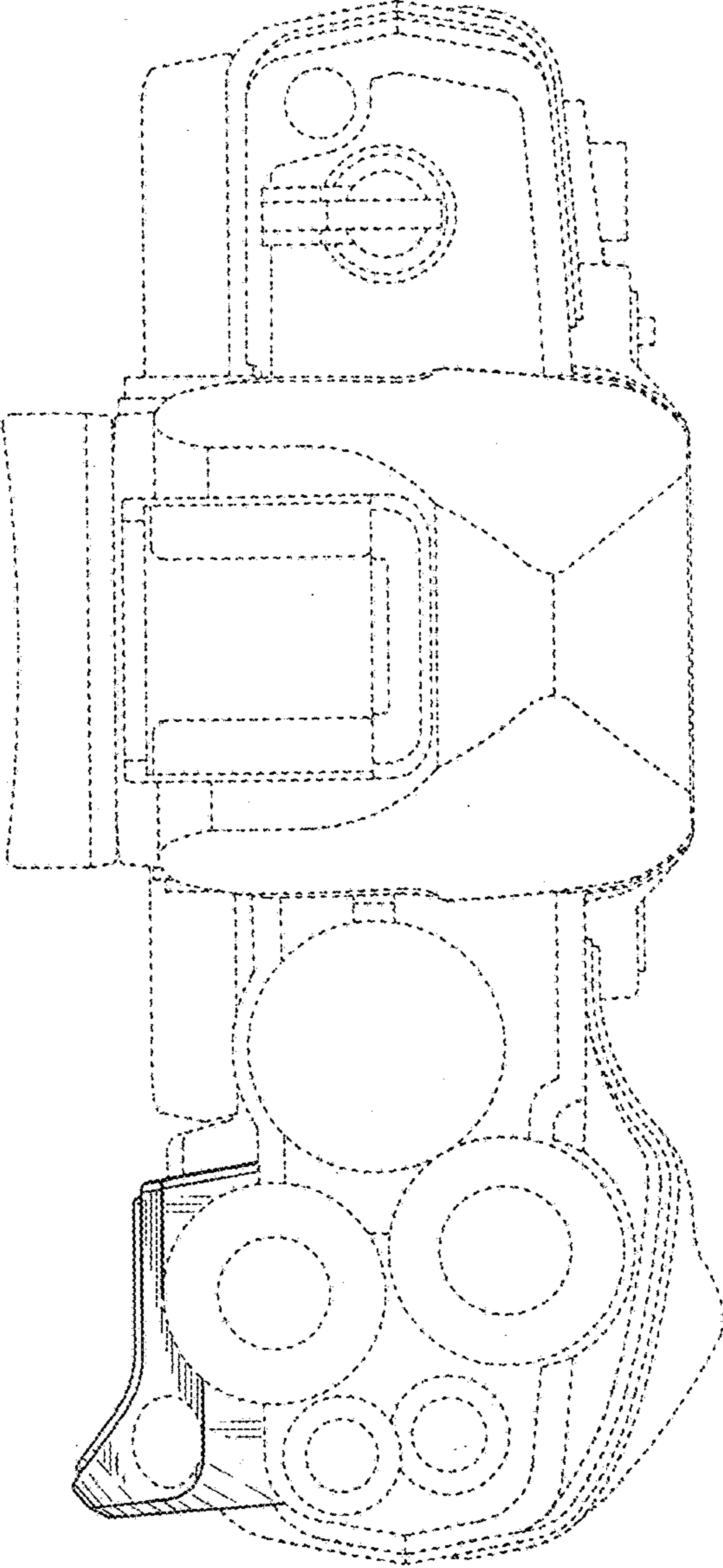


FIG.5

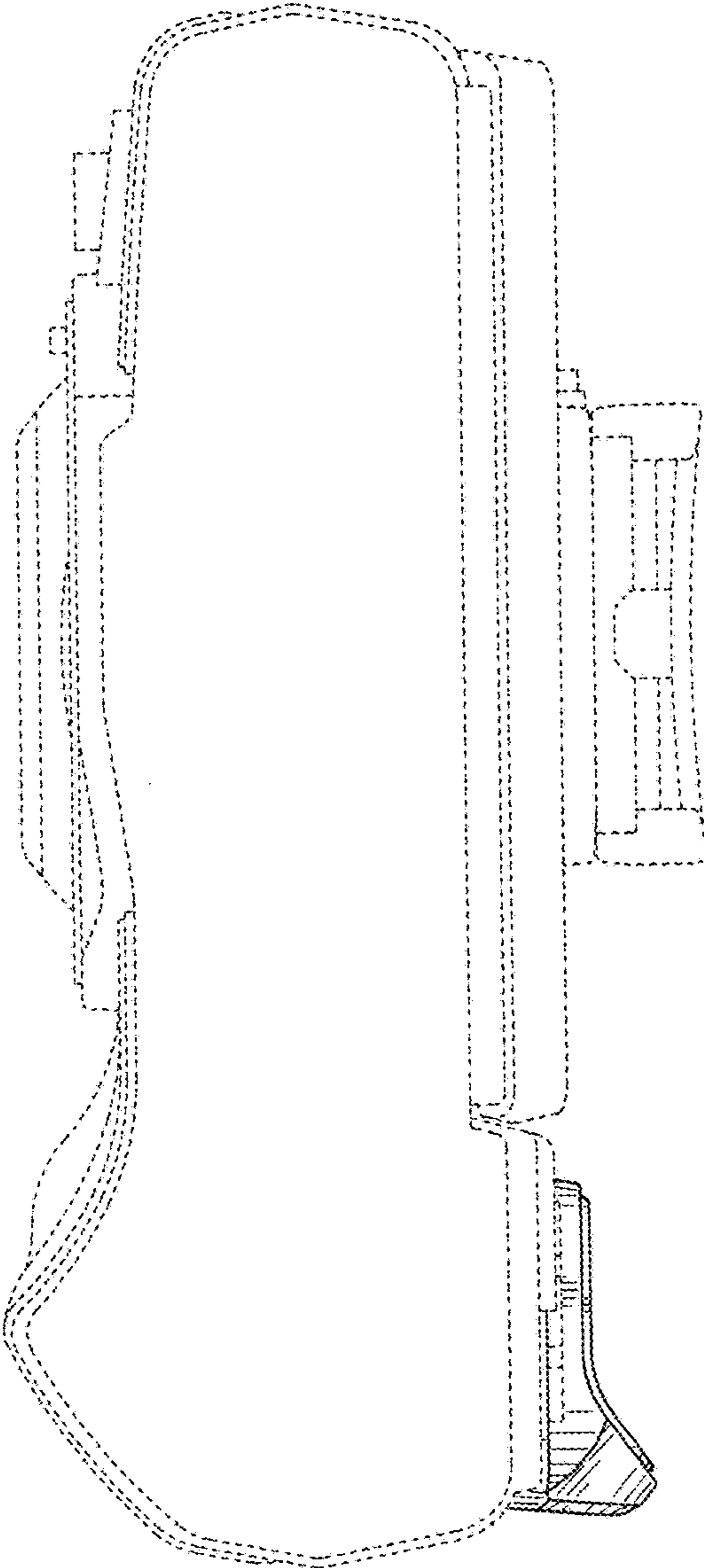


FIG.7

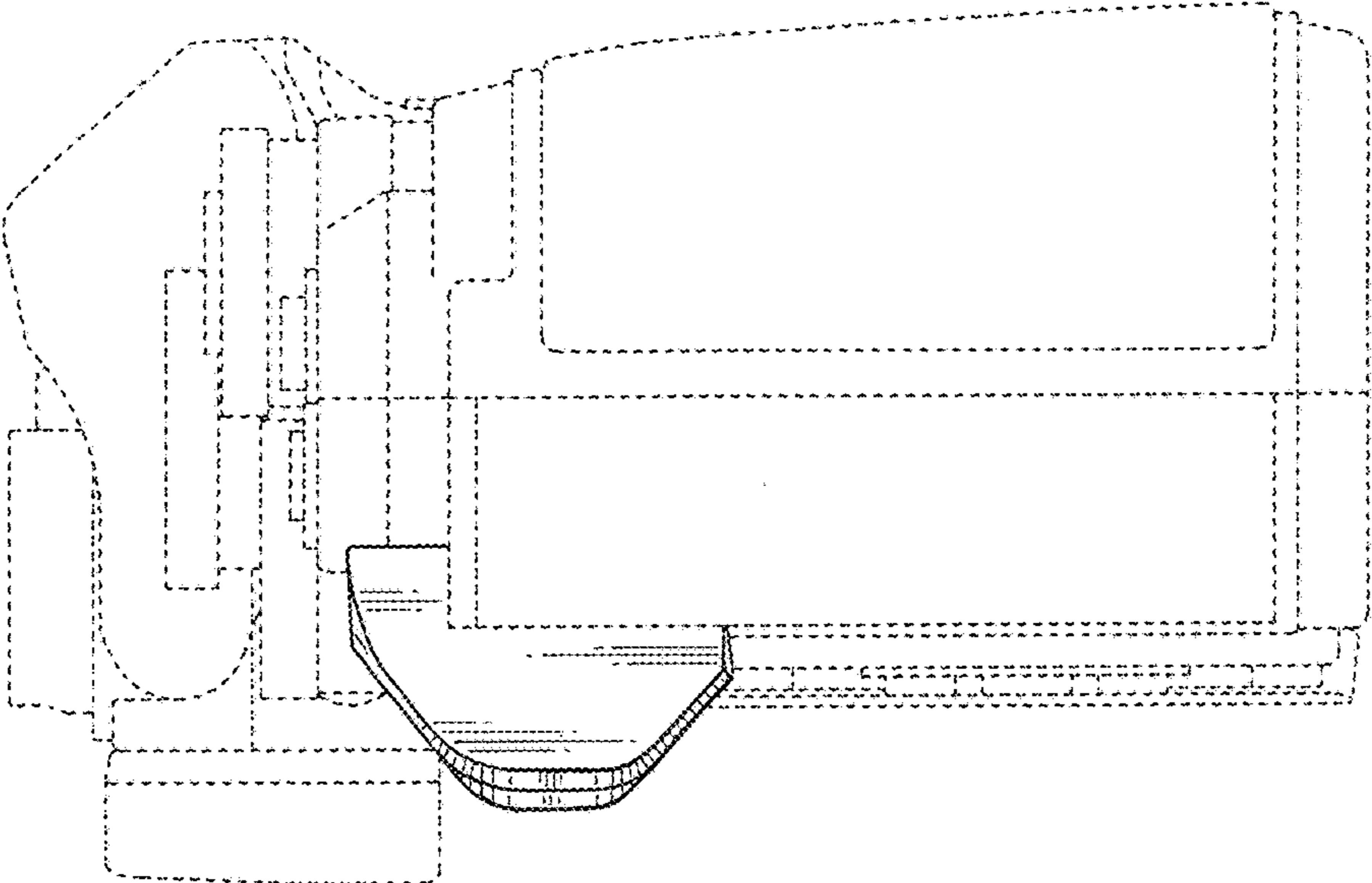


FIG.6

