



US00D849116S

(12) **United States Design Patent**
Lee

(10) **Patent No.:** **US D849,116 S**
(45) **Date of Patent:** **** May 21, 2019**

(54) **INTERCHANGEABLE LENS FOR CAMERA**

(71) Applicant: **SAMYANG OPTICS CO., LTD.**,
Gyeongsangnam-do (KR)

(72) Inventor: **Han Jea Lee**, Gyeongsangnam-do (KR)

(73) Assignee: **Samyang Optics Co., Ltd.**,
Changwon-si (KR)

(**) Term: **15 Years**

(21) Appl. No.: **29/614,697**

(22) Filed: **Aug. 22, 2017**

(30) **Foreign Application Priority Data**

Jul. 20, 2017 (KR) 30-2017-0033552

(51) **LOC (11) Cl.** **16-05**

(52) **U.S. Cl.**
USPC **D16/219**

(58) **Field of Classification Search**
USPC D16/134, 136, 200, 202–205, 218, 219,
D16/235, 242; 348/373–376;
359/826–828; 396/529–532, 535,
396/539–541

CPC G03B 17/02; G03B 19/04; G03B 17/56;
G03B 17/04; G03B 15/03; G03B 17/14;
H04N 5/2251; H04N 5/2252; H04N
5/2253; H04N 5/2254; G02B 7/02; G02B
7/04; G02B 7/14

See application file for complete search history.

(56) **References Cited**

U.S. PATENT DOCUMENTS

D251,669 S * 4/1979 Ueda D16/134
D562,862 S * 2/2008 Yasutomi D16/134

D562,863 S * 2/2008 Yasutomi D16/134
7,625,144 B2 * 12/2009 Kranz G02B 7/14
359/827
D684,208 S * 6/2013 Lee D16/219
D718,361 S * 11/2014 Noh D16/219
D718,362 S * 11/2014 Noh D16/219
D737,360 S * 8/2015 Jung D16/219
D763,942 S * 8/2016 Yoon D16/219
D768,224 S * 10/2016 Kim D16/219
D783,078 S * 4/2017 Kim D16/219
D783,700 S * 4/2017 Tagawa D16/219
D802,045 S * 11/2017 Chalenko D16/219

* cited by examiner

Primary Examiner — Ramzi S Almatrahi

(74) *Attorney, Agent, or Firm* — Social IP Law Group
LLP; Jonathan Pearce

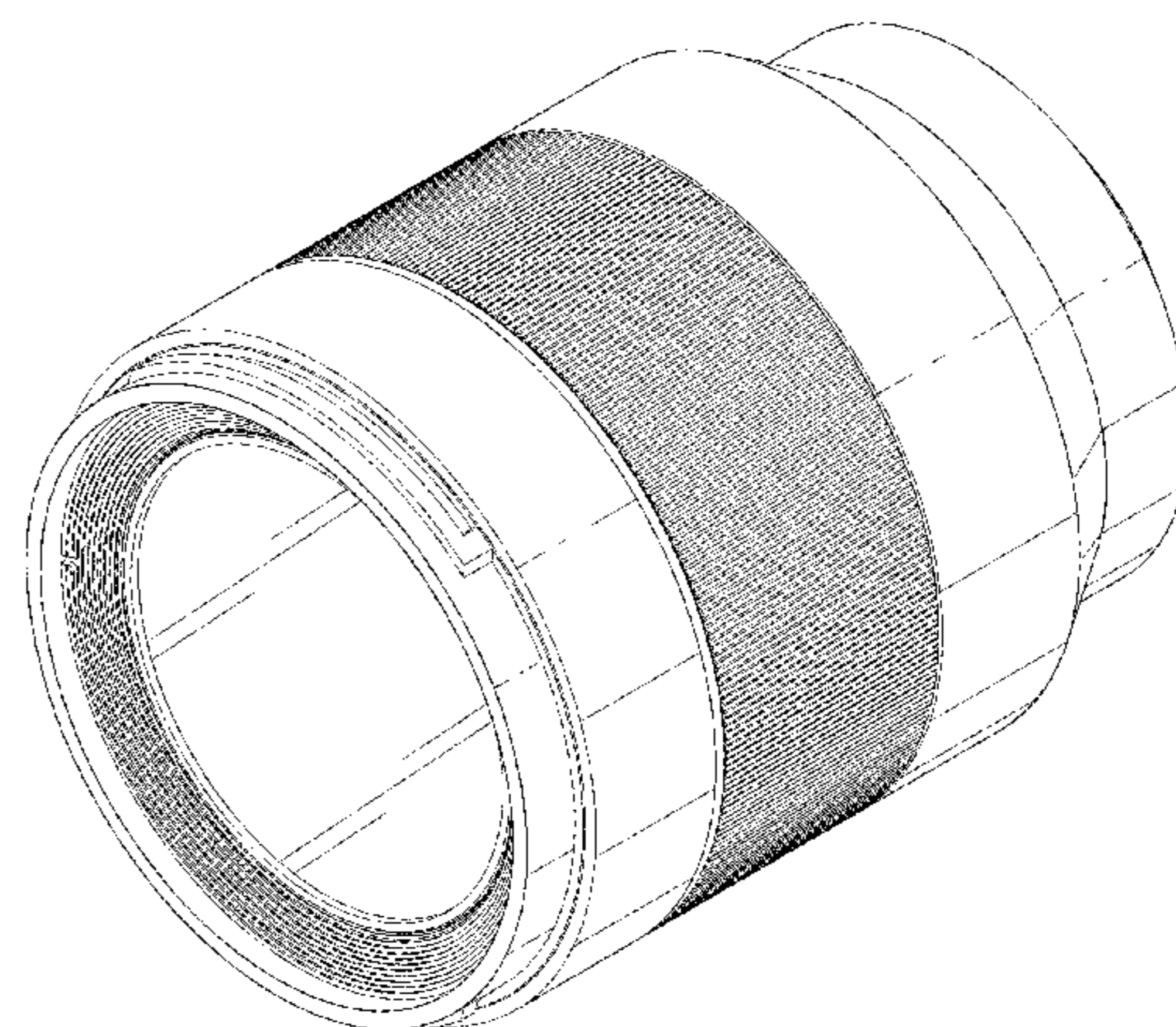
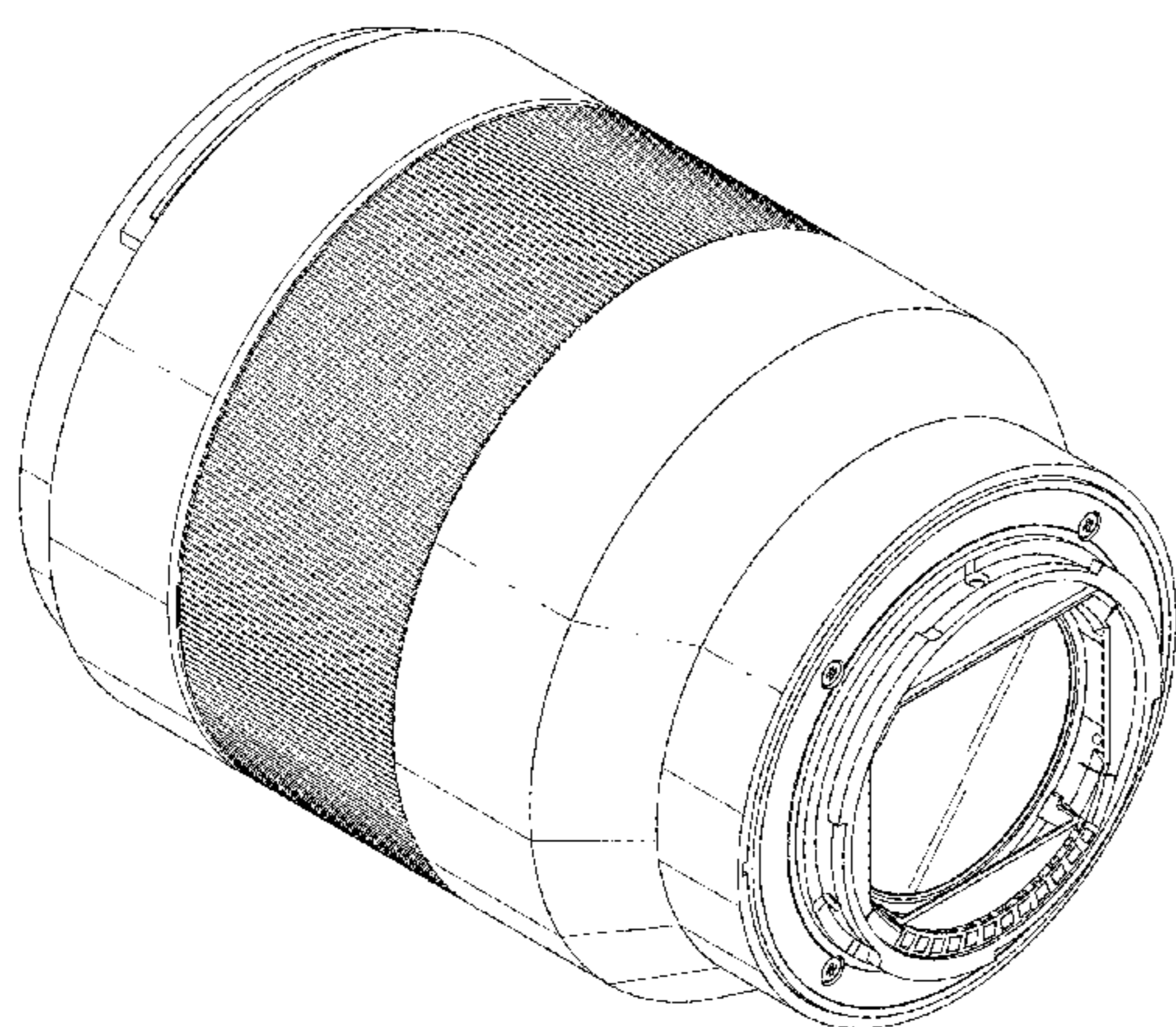
(57) **CLAIM**

The ornamental design for an interchangeable lens for a camera, as shown and described.

DESCRIPTION

FIG. 1 is a perspective view of the interchangeable lens for camera;
FIG. 2 is a front view thereof;
FIG. 3 is a rear view thereof;
FIG. 4 is a left side view thereof;
FIG. 5 is a right side view thereof
FIG. 6 is a top plan view thereof;
FIG. 7 is a bottom plan view thereof; and,
FIG. 8 is a rear perspective view thereof.

1 Claim, 8 Drawing Sheets



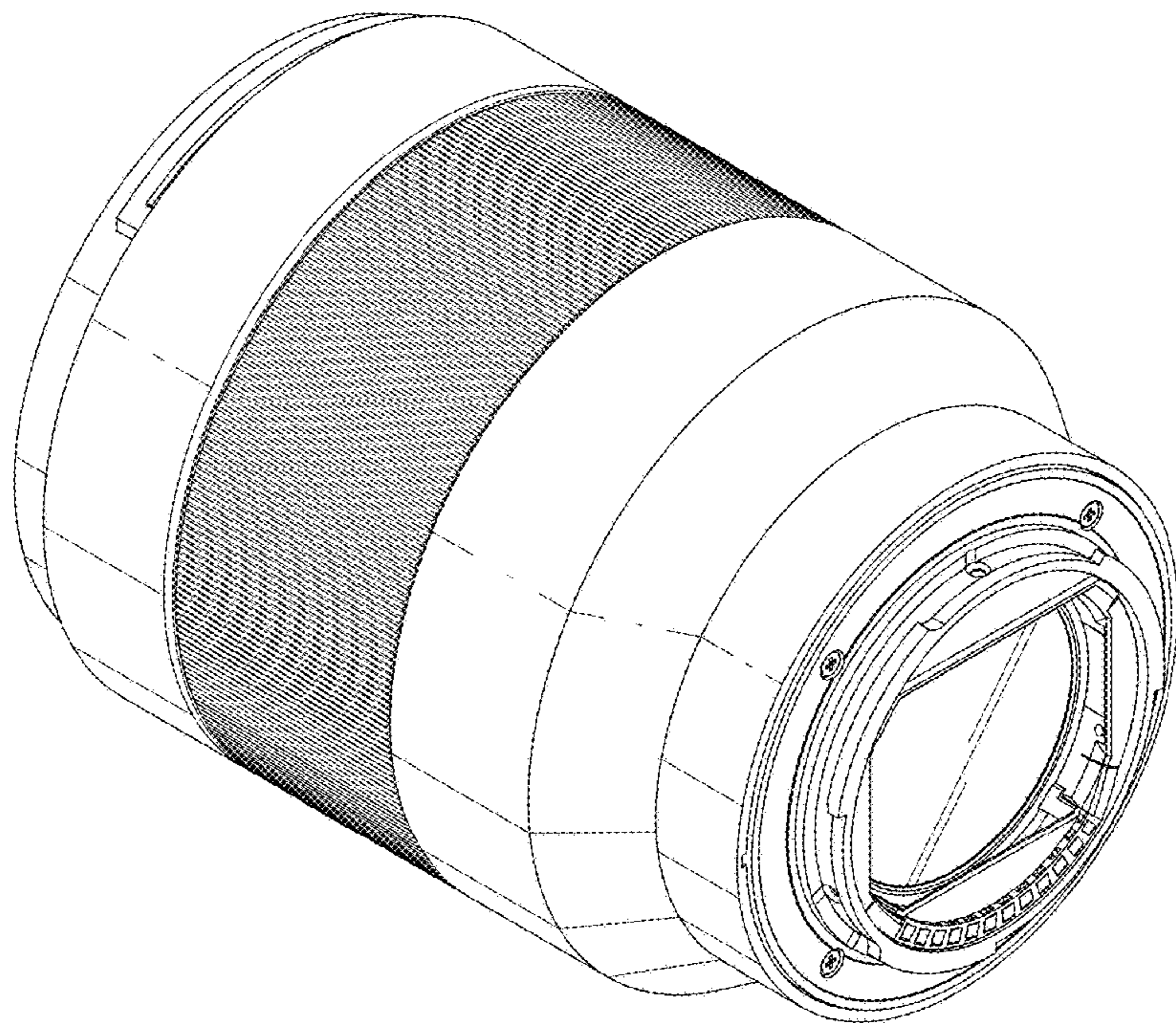


FIG. 1

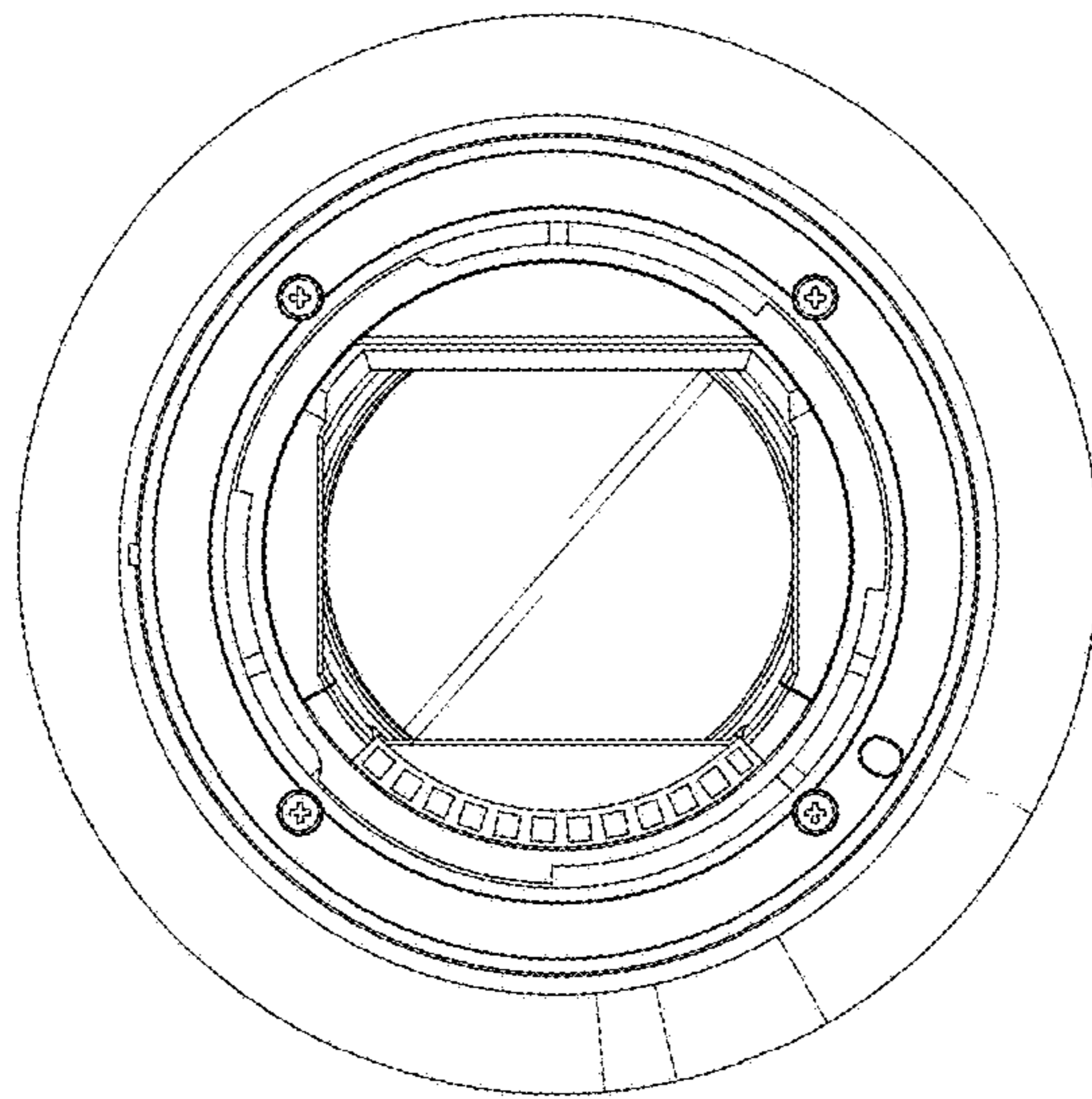


FIG. 2

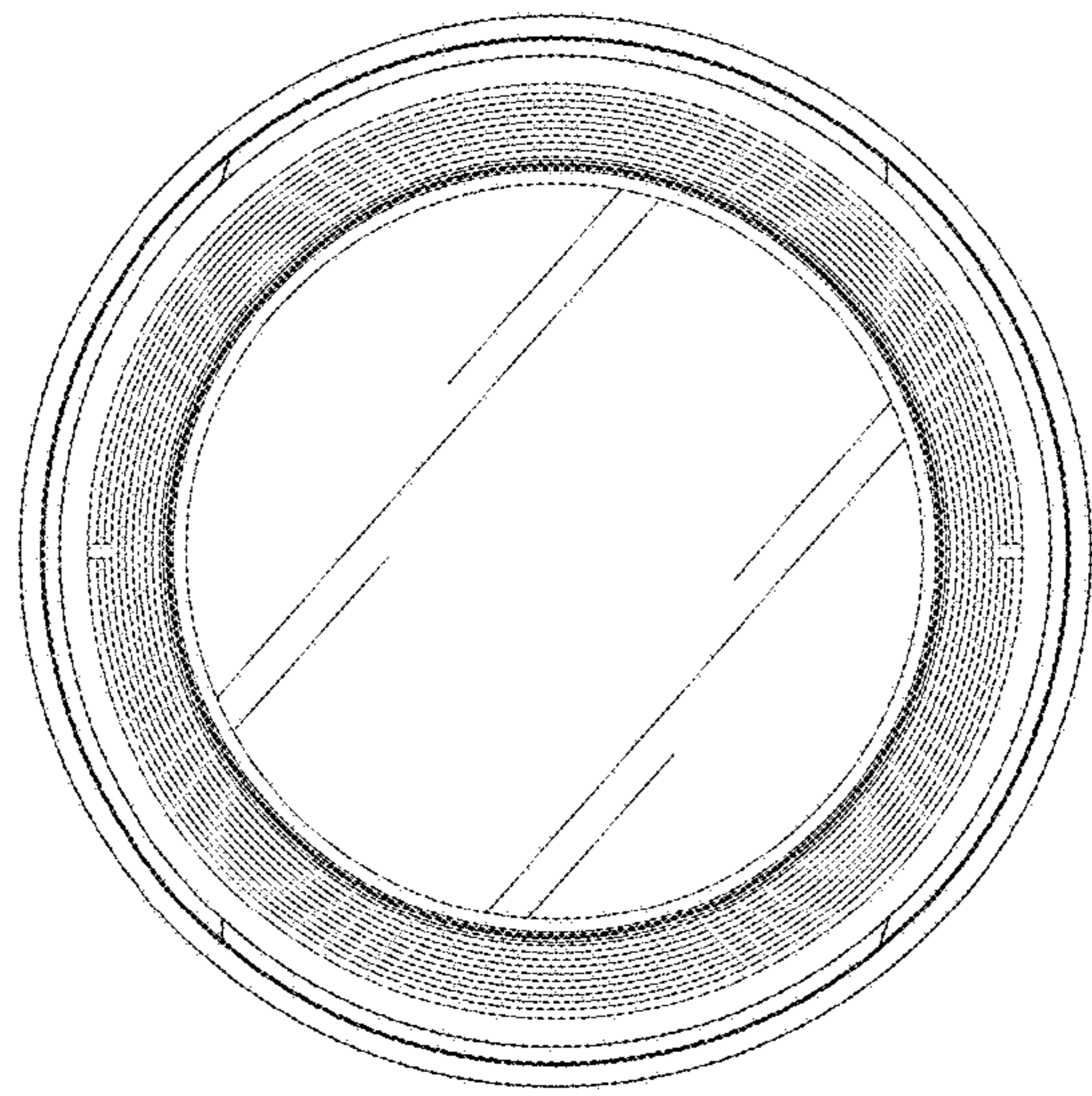


FIG. 3

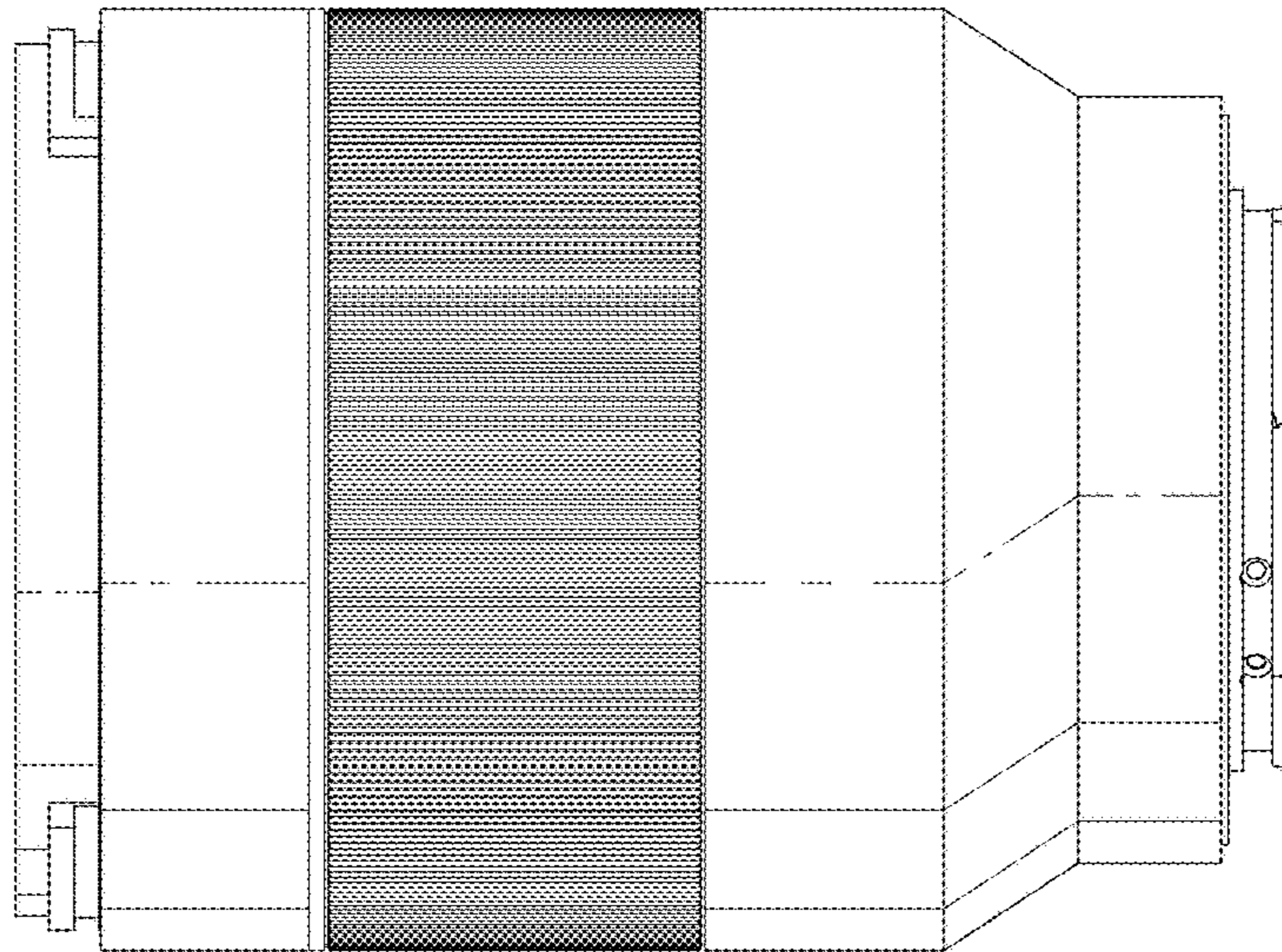


FIG. 4

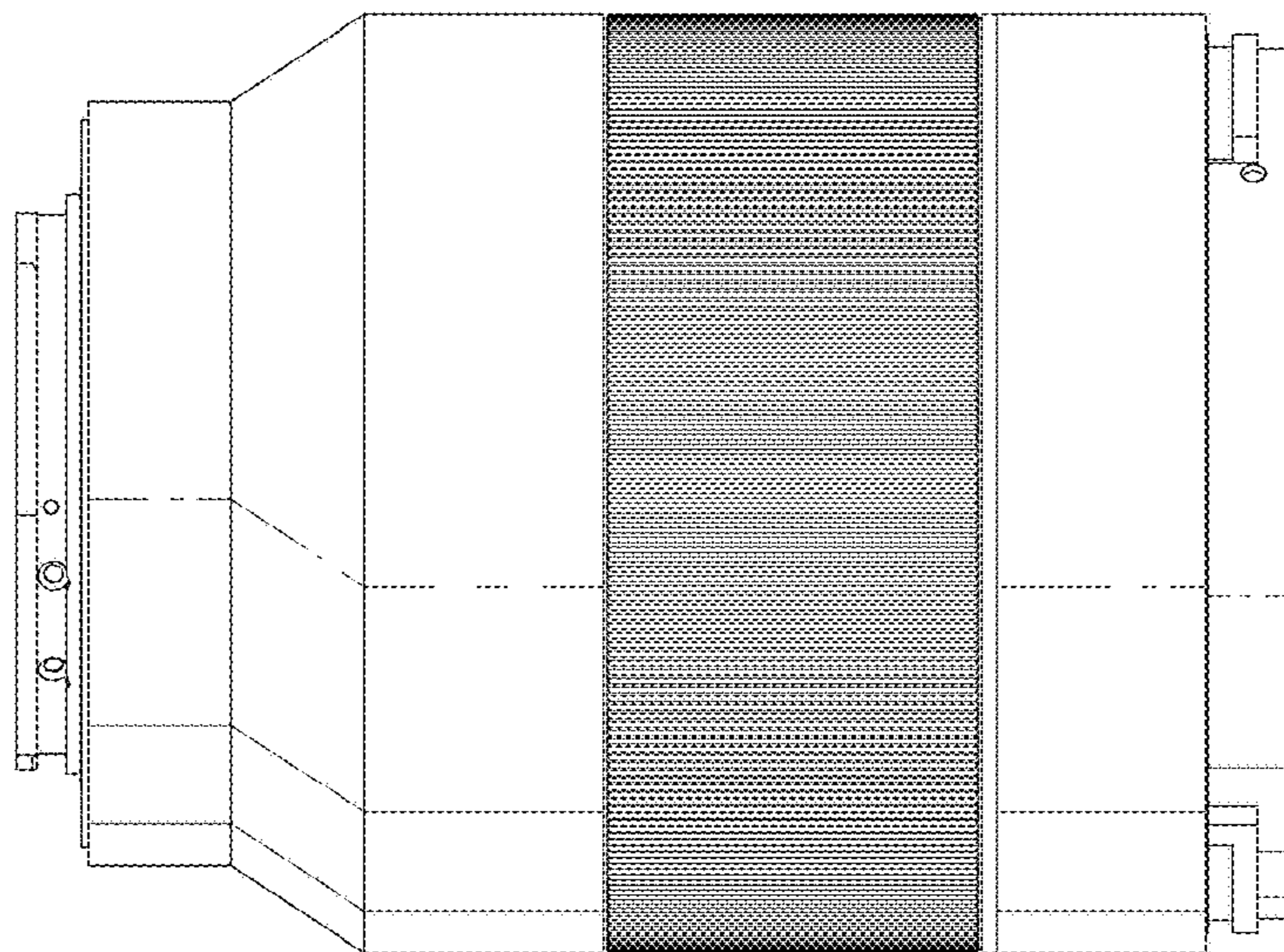


FIG. 5

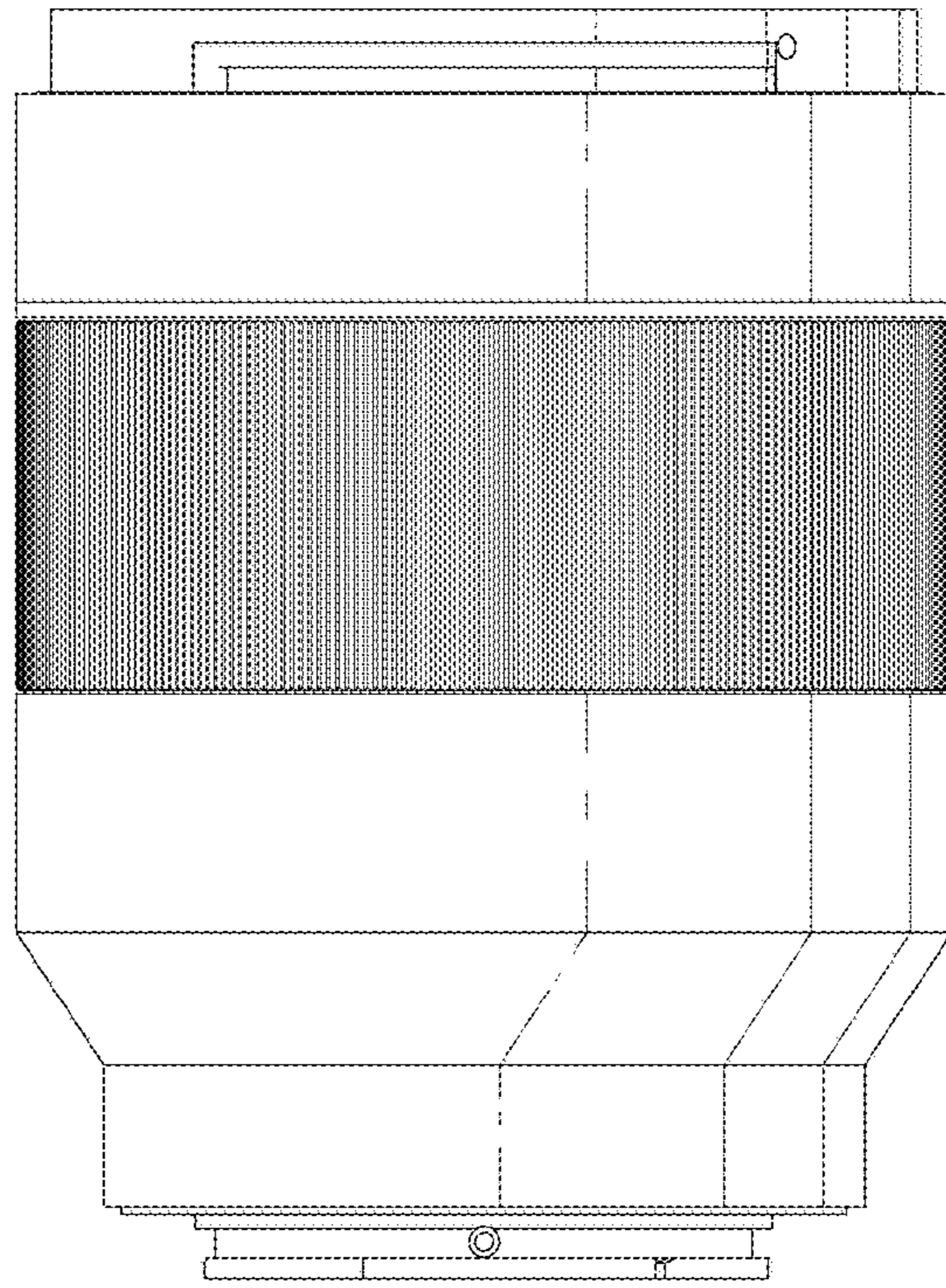


FIG. 6

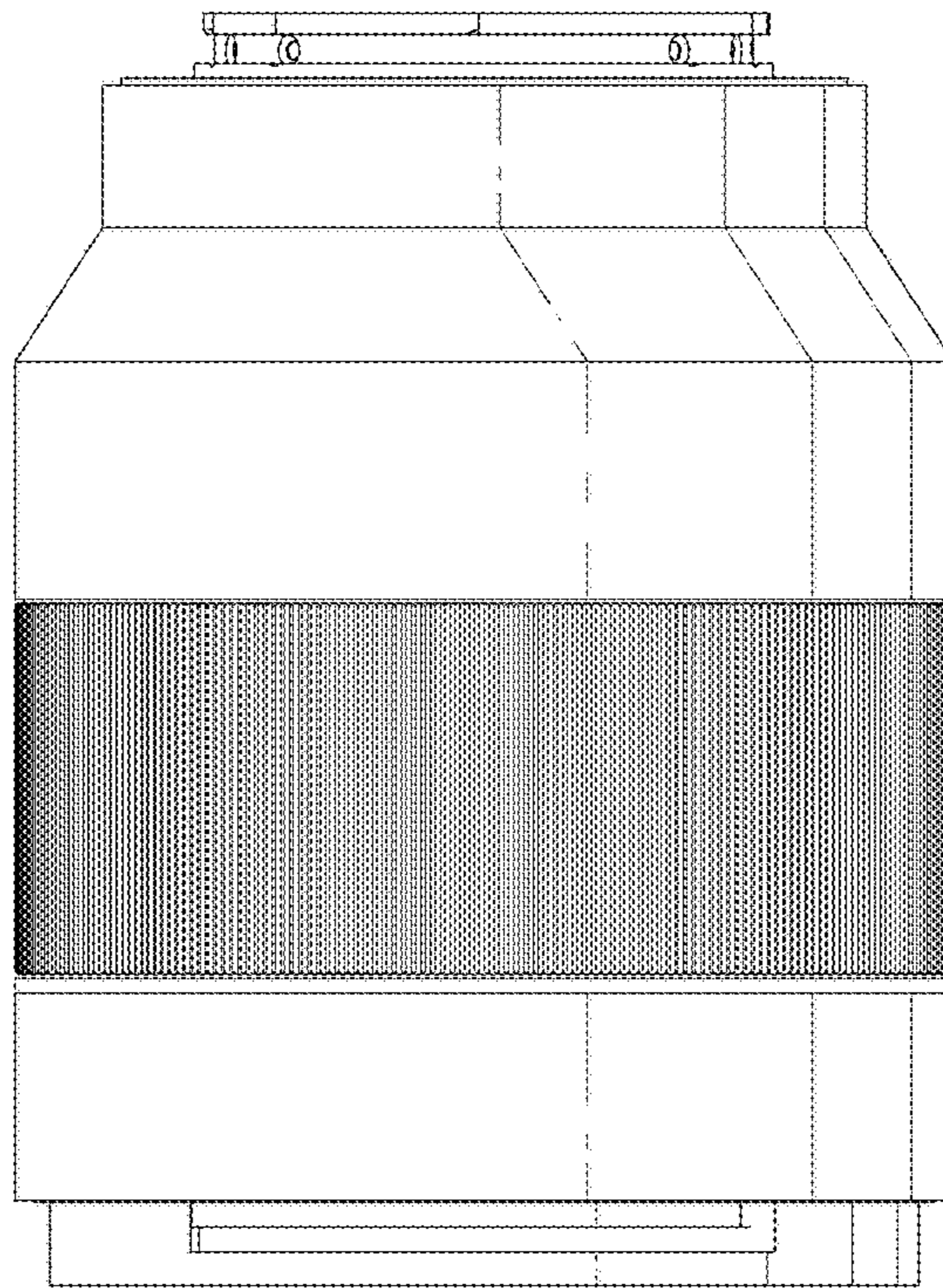


FIG. 7

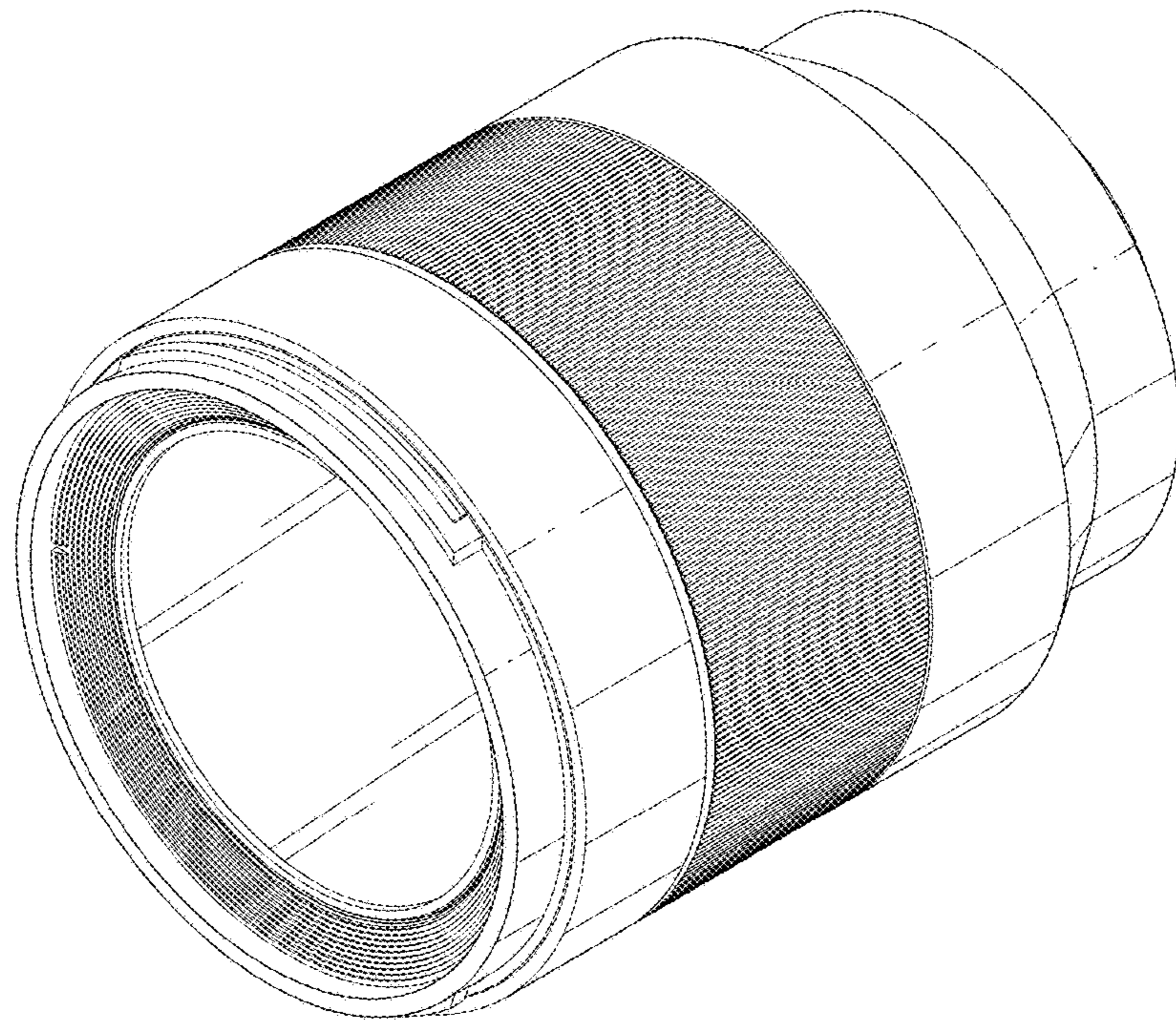


FIG. 8