



US00D849113S

(12) **United States Design Patent** (10) **Patent No.:** **US D849,113 S**
Li (45) **Date of Patent:** **** May 21, 2019**

(54) **LENS**

(71) Applicants: **Sintai Optical (Shenzhen) Co., Ltd.**,
Shenzhen, Guangdong Province (CN);
Asia Optical International Ltd.,
Tortola (GB)

(72) Inventor: **Gui-Feng Li**, Shenzhen (CN)

(73) Assignees: **SINTAI OPTICAL (SHENZHEN)**
CO., LTD., Shenzhen, Guangdong
Province (CN); **ASIA OPTICAL**
INTERNATIONAL LTD., Tortola
(VG)

(**) Term: **15 Years**

(21) Appl. No.: **29/543,494**

(22) Filed: **Oct. 26, 2015**

Related U.S. Application Data

(63) Continuation of application No. 29/500,315, filed on
Aug. 25, 2014, which is a continuation of application
No. 29/477,689, filed on Dec. 26, 2013, now Pat. No.
Des. 713,870.

(51) **LOC (11) Cl.** **16-05**

(52) **U.S. Cl.**
USPC **D16/219**

(58) **Field of Classification Search**
USPC D16/134, 136, 200, 202–205, 218, 219;
348/373–376; 359/826–828;
396/529–532, 535, 539–541
CPC G03B 17/02; G03B 19/04; G03B 17/56;
G03B 17/04; G03B 15/03; G03B 17/14;
H04N 5/2251; H04N 5/2252; H04N
5/2253; H04N 5/2254

See application file for complete search history.

(56) **References Cited**

U.S. PATENT DOCUMENTS

4,063,264 A	12/1977	Ando et al.	
D566,158 S	4/2008	Yasutomi	
D664,583 S	7/2012	Asano et al.	
D670,751 S	11/2012	Koyama et al.	
8,308,380 B2	11/2012	Youn	
D682,341 S	5/2013	Ono et al.	
D683,381 S	5/2013	Asano	
D693,869 S	11/2013	Asano	
D696,709 S	12/2013	Sato	
D709,119 S	7/2014	Kim et al.	
D718,361 S *	11/2014	Noh	D16/219
D718,362 S *	11/2014	Noh	D16/219
D721,120 S *	1/2015	Oh	D16/219
D722,100 S *	2/2015	Tsuge	D16/237
D741,936 S *	10/2015	Chu	D16/219
D744,024 S *	11/2015	Oh	D16/219
D750,688 S *	3/2016	Oh	D16/134
D783,078 S *	4/2017	Kim	D16/219

(Continued)

Primary Examiner — Ramzi S Almatrahi

(74) *Attorney, Agent, or Firm* — McClure, Qualey &
Rodack, LLP

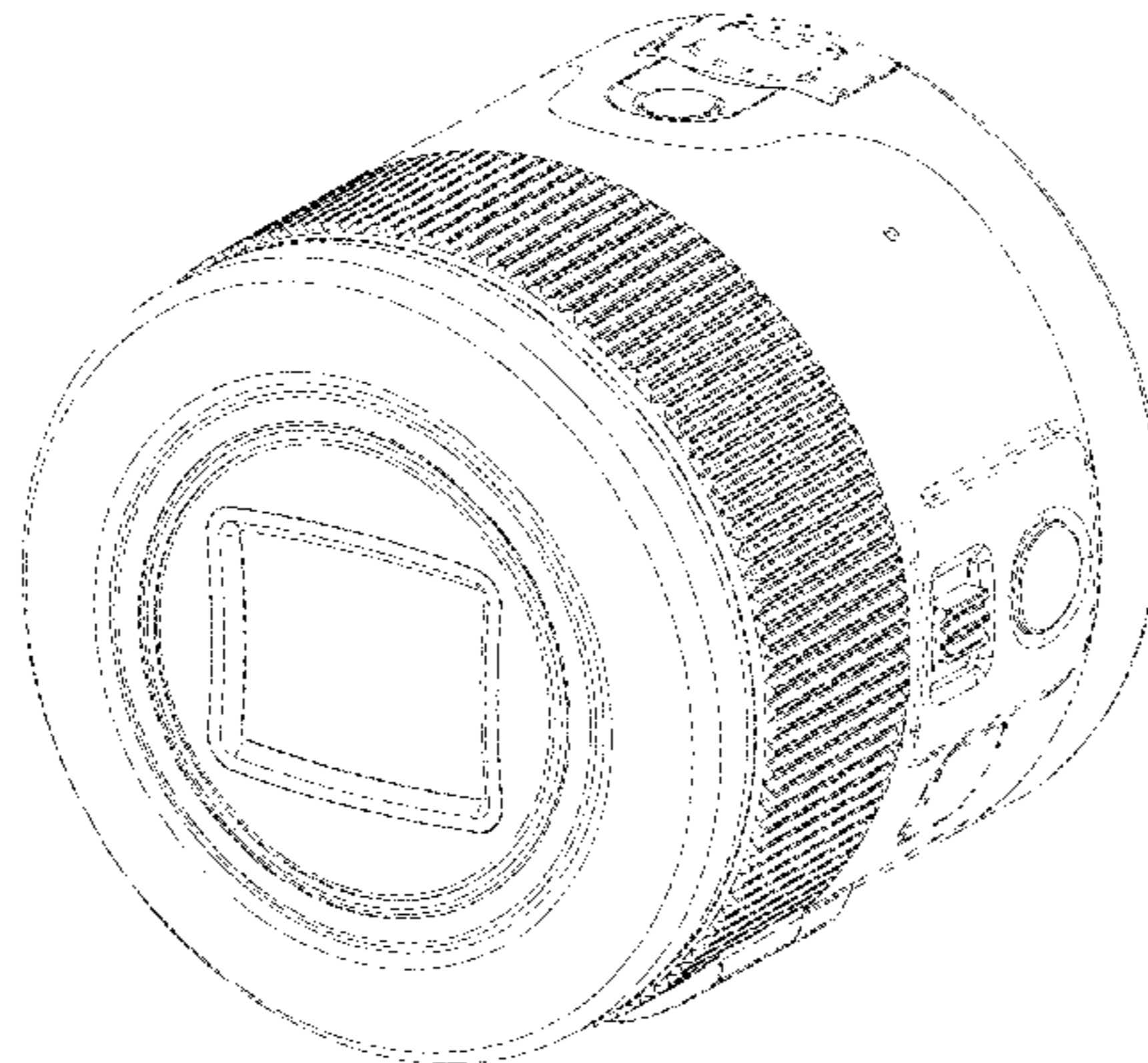
(57) **CLAIM**

The ornamental design for a lens, as shown and described.

DESCRIPTION

FIG. 1 is a front elevational view of a lens showing my new design;
FIG. 2 is a rear elevational view thereof;
FIG. 3 is a left side elevational view thereof;
FIG. 4 is a right side elevational view thereof;
FIG. 5 is a top plan view thereof;
FIG. 6 is a bottom plan view thereof; and,
FIG. 7 is a perspective view thereof.
The broken lines depict portions of the lens in which the design is embodied that form no part of the claimed design.

1 Claim, 4 Drawing Sheets



(56)

References Cited

U.S. PATENT DOCUMENTS

D783,700 S * 4/2017 Tagawa D16/219
D801,409 S * 10/2017 Tsuge D16/219

* cited by examiner

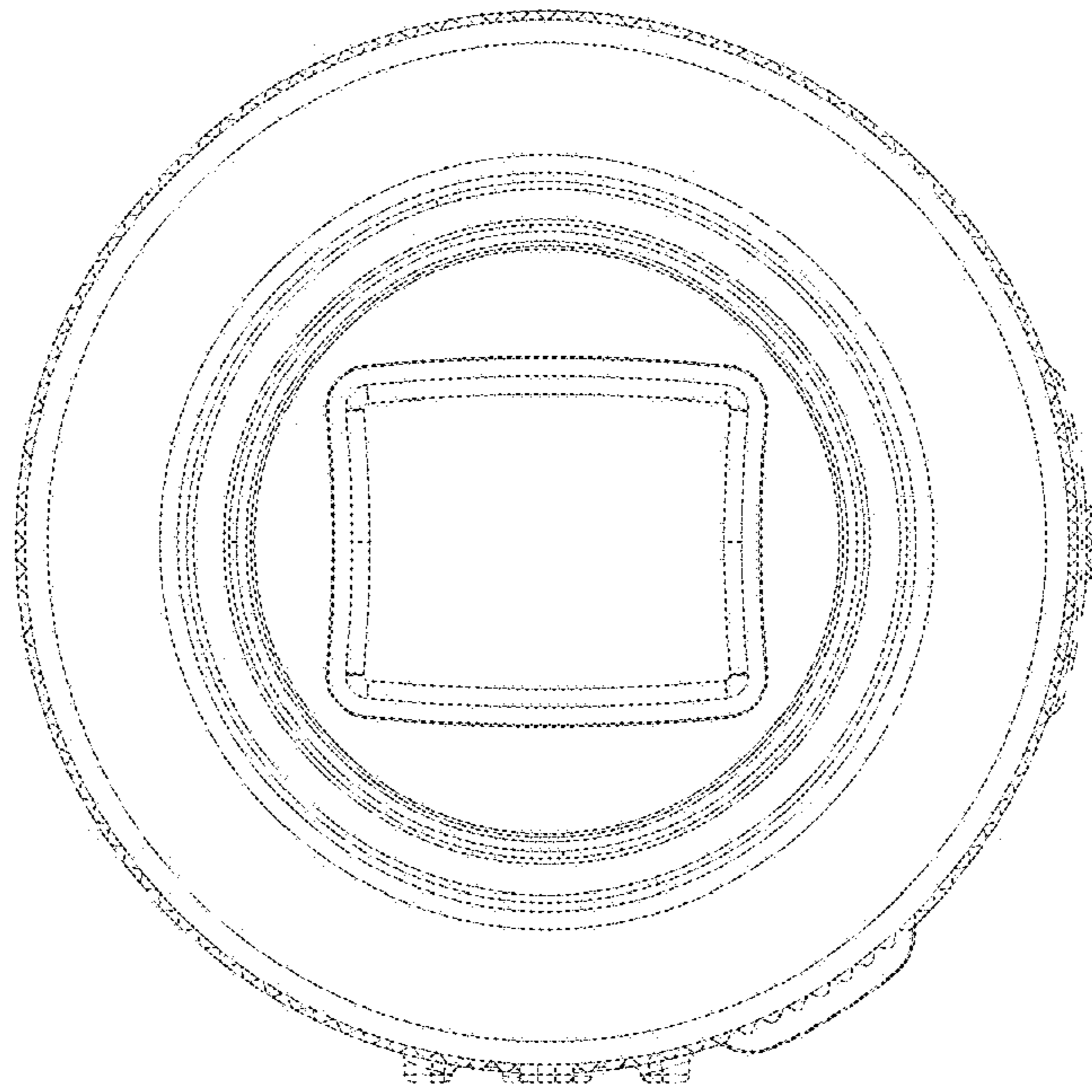


Fig. 1

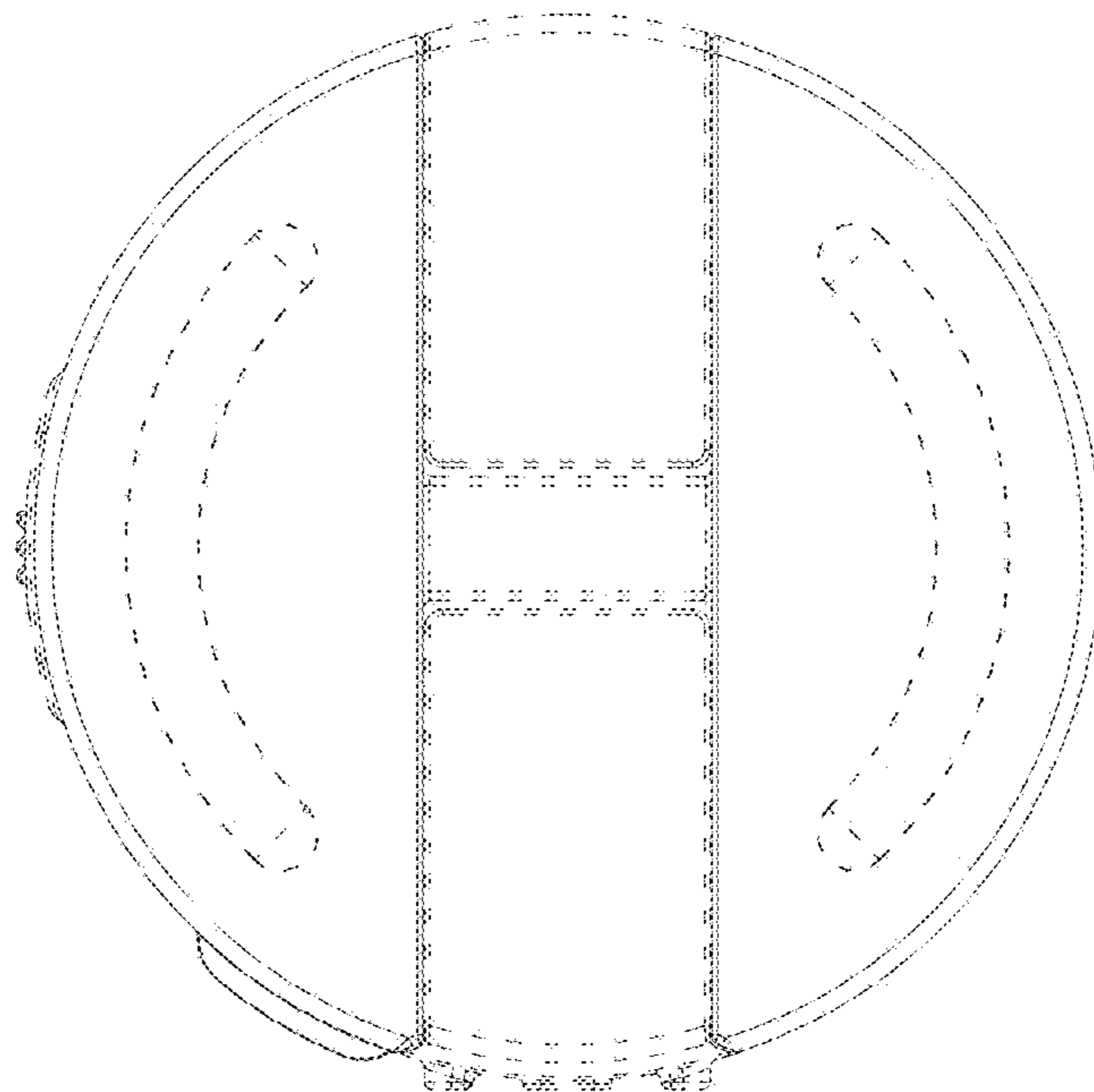


Fig. 2

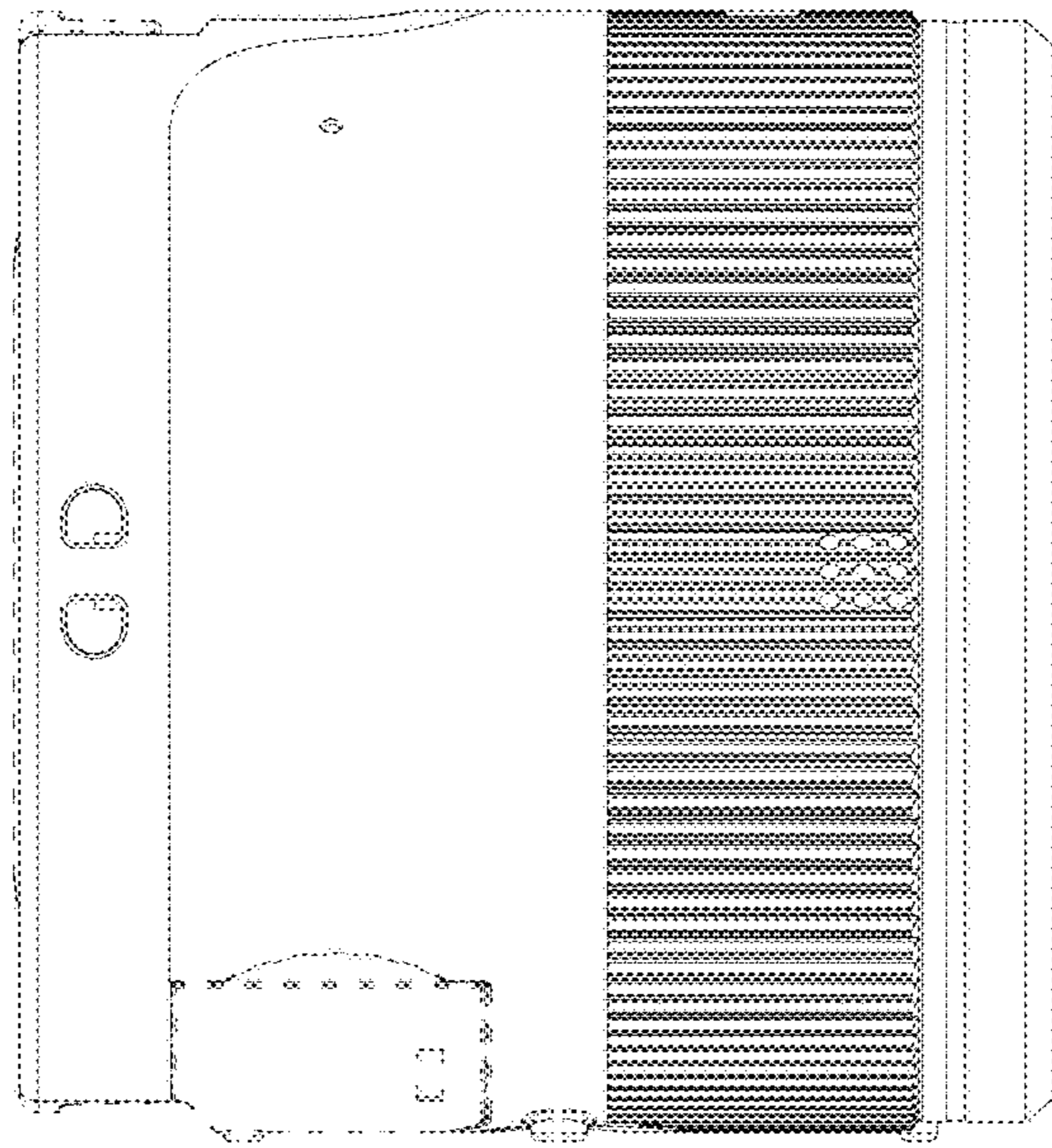


Fig. 3

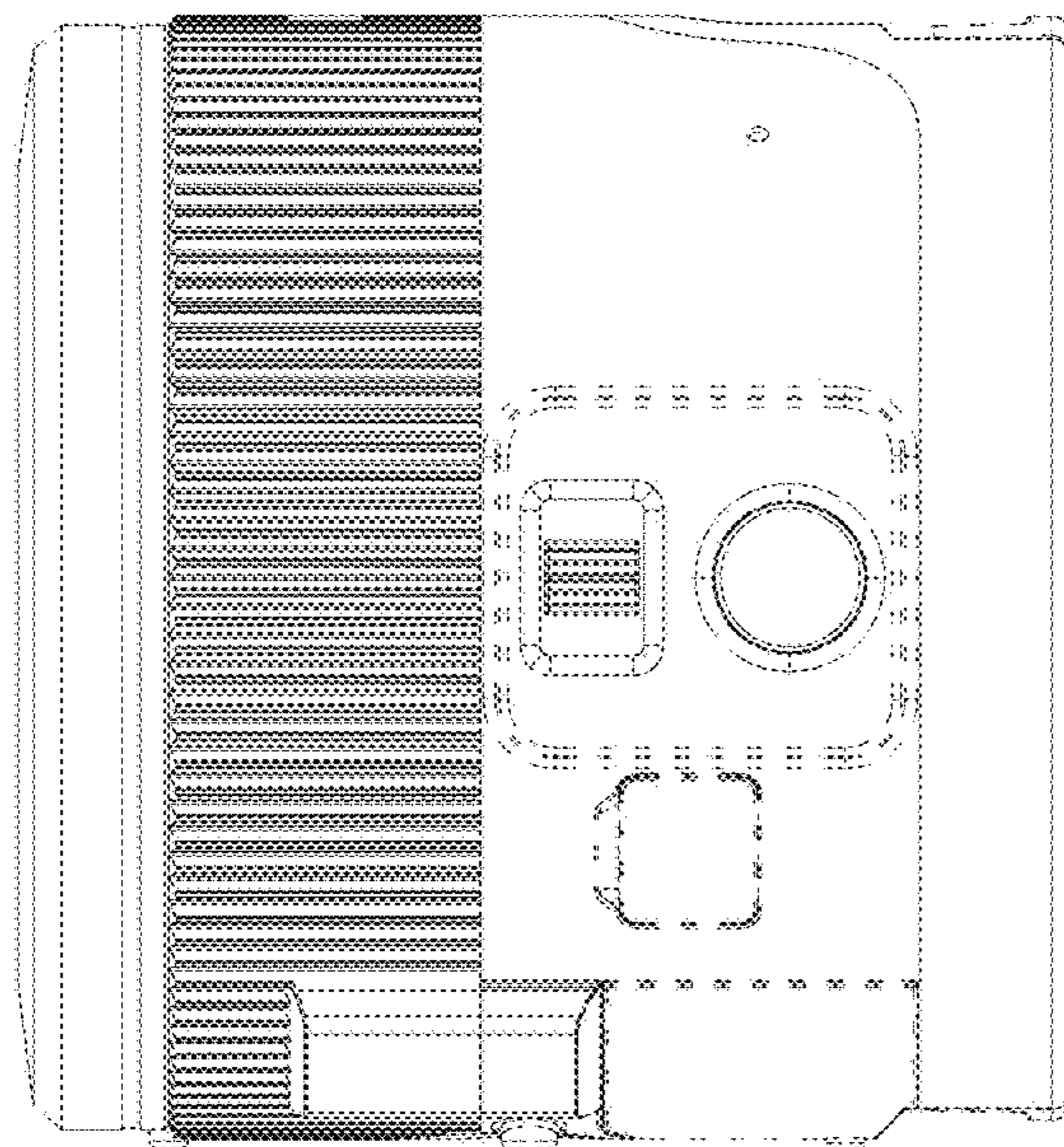


Fig. 4

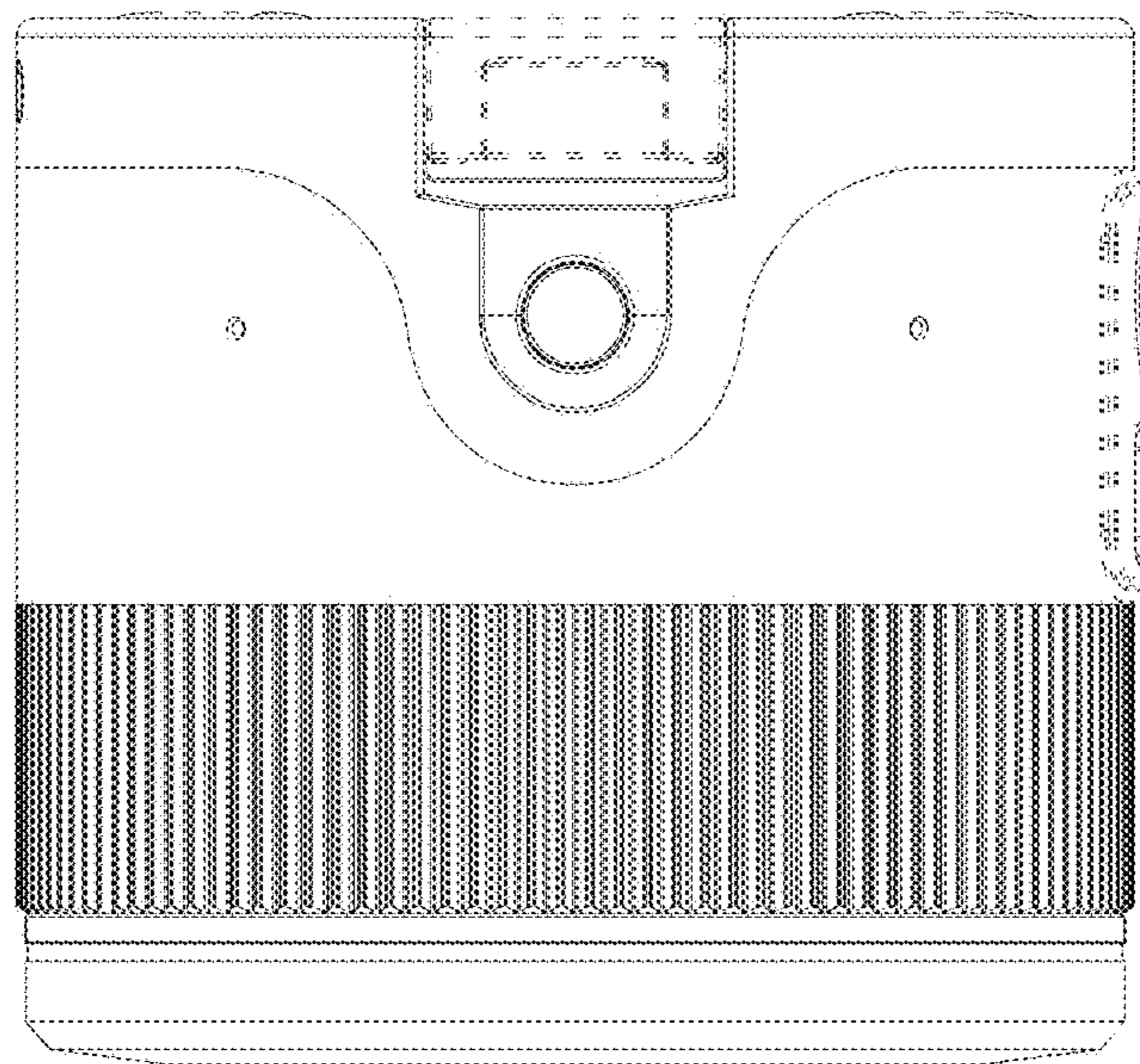


Fig. 5

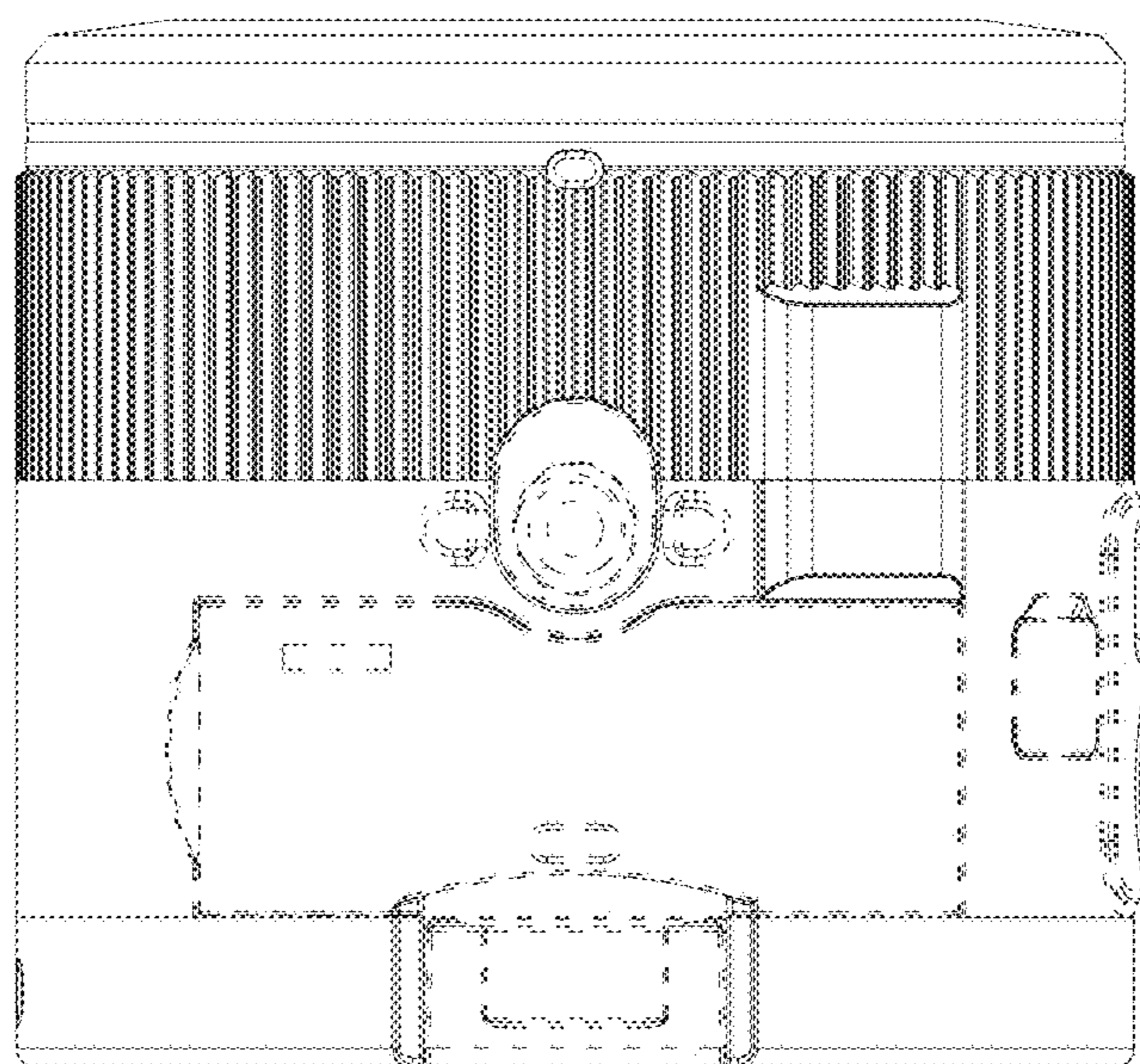


Fig. 6

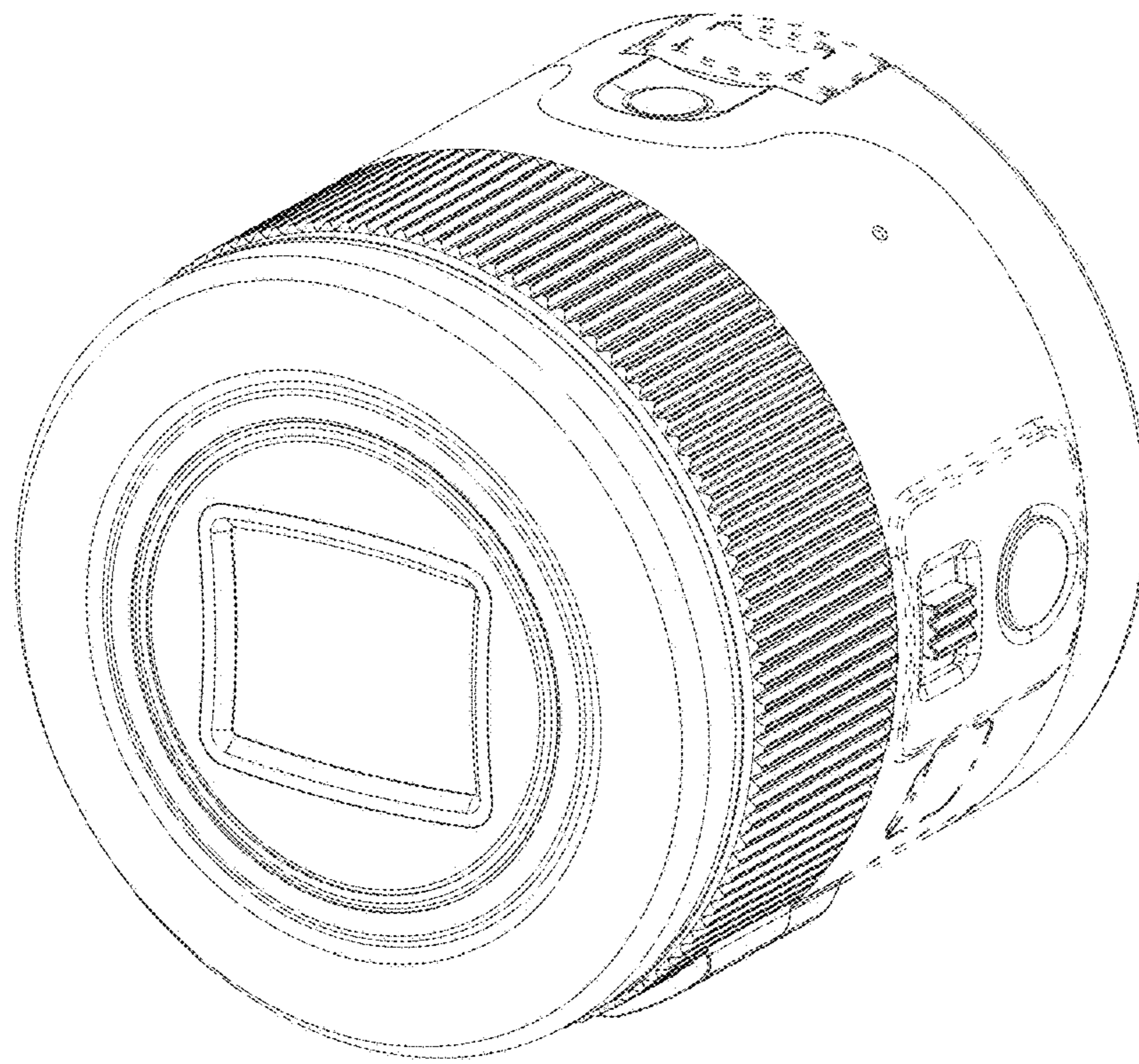


Fig. 7