



US00D849112S

(12) **United States Design Patent** (10) **Patent No.:** **US D849,112 S**
Katori (45) **Date of Patent:** **** May 21, 2019**

(54) **SURVEILLANCE CAMERA** 4,616,440 A * 10/1986 Millroy A01K 85/12
43/42.06
(71) Applicant: **Panasonic Intellectual Property** D363,139 S * 10/1995 Johnson D11/121
Management Co., Ltd., Osaka (JP) D400,292 S * 10/1998 Hoffbauer D26/135
D409,626 S * 5/1999 Hansen D15/5
(72) Inventor: **Takehito Katori, Kyoto (JP)** D419,716 S * 1/2000 Parrochia D26/118
D424,087 S * 5/2000 Frick 396/427
D473,887 S 4/2003 Jones et al.
(73) Assignee: **Panasonic Intellectual Property** D568,361 S * 5/2008 Arnold D16/202
Management Co., Ltd., Osaka (JP) D606,105 S 12/2009 Hinkel
D616,140 S * 5/2010 Habig D26/118
D667,860 S * 9/2012 Lee D16/203
(**) Term: **15 Years** D673,989 S 1/2013 Ying et al.
D701,258 S 3/2014 Huang
(21) Appl. No.: **29/530,207** D702,275 S * 4/2014 Ying D16/203
D717,992 S * 11/2014 Howard D26/125
(22) Filed: **Jun. 15, 2015** D753,753 S * 4/2016 Moon D16/203
D761,341 S * 7/2016 Katori D16/203

(30) **Foreign Application Priority Data**
Dec. 19, 2014 (JP) 2014-028484
(51) **LOC (11) Cl.** **16-05**
(52) **U.S. Cl.**
USPC **D16/219; D16/203**
(58) **Field of Classification Search**
USPC D16/200, 202–205, 208, 218, 219, 242;
348/14.01–14.06, 143, 148, 373–376;
396/419, 427, 535, 539–541
CPC G03B 17/02; G03B 19/04; G03B 17/56;
G03B 17/04; G03B 15/03; H04N 5/2251;
H04N 5/2252; H04N 5/2253; H04N
5/2254; H04N 2007/145; H04N 7/141;
H04N 7/142; H04N 7/147; H04N 7/148;
H04N 7/15; H04N 7/152
See application file for complete search history.

(56) **References Cited**
U.S. PATENT DOCUMENTS
3,447,712 A * 6/1969 Galasso B01L 3/5021
220/237
D246,397 S * 11/1977 Booty D26/135
D280,135 S * 8/1985 Cassai D28/7

* cited by examiner
Primary Examiner — Ramzi S Almatrahi
(74) *Attorney, Agent, or Firm* — Panasonic IP
Management; Kerry S. Culpepper

(57) **CLAIM**
I claim the ornamental design for a surveillance camera, as
shown and described.

DESCRIPTION
FIG. 1 is a front perspective view of a surveillance camera
of the present invention;
FIG. 2 is a front view thereof;
FIG. 3 is a rear view thereof;
FIG. 4 is a first side view thereof;
FIG. 5 is a second side view thereof;
FIG. 6 is a top view thereof; and,
FIG. 7 is a bottom view thereof.
The broken lines depict portions of the surveillance camera
in which the design is embodied that form no part of the
claimed design.

1 Claim, 7 Drawing Sheets

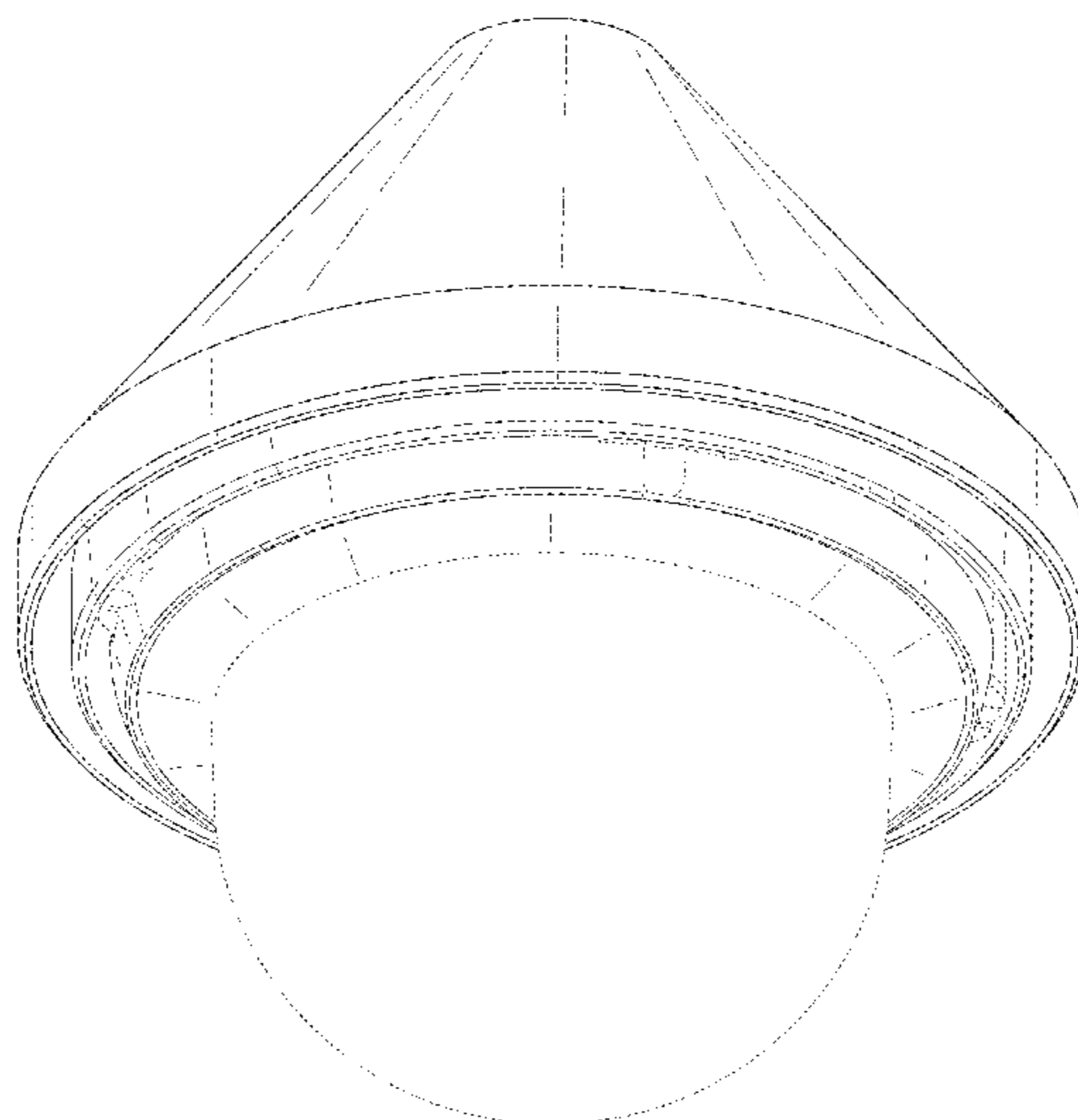


FIG. 1

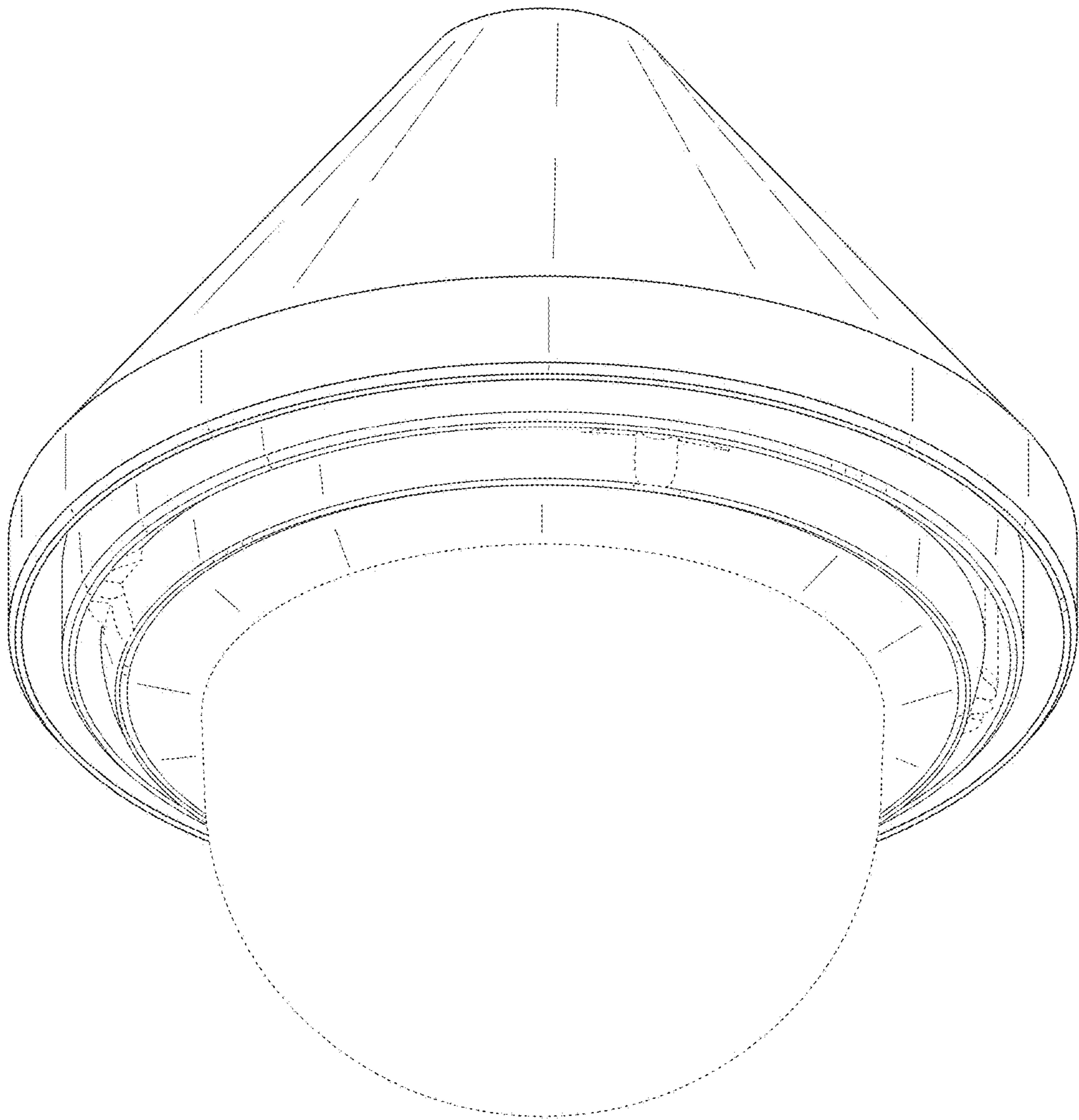


FIG. 2

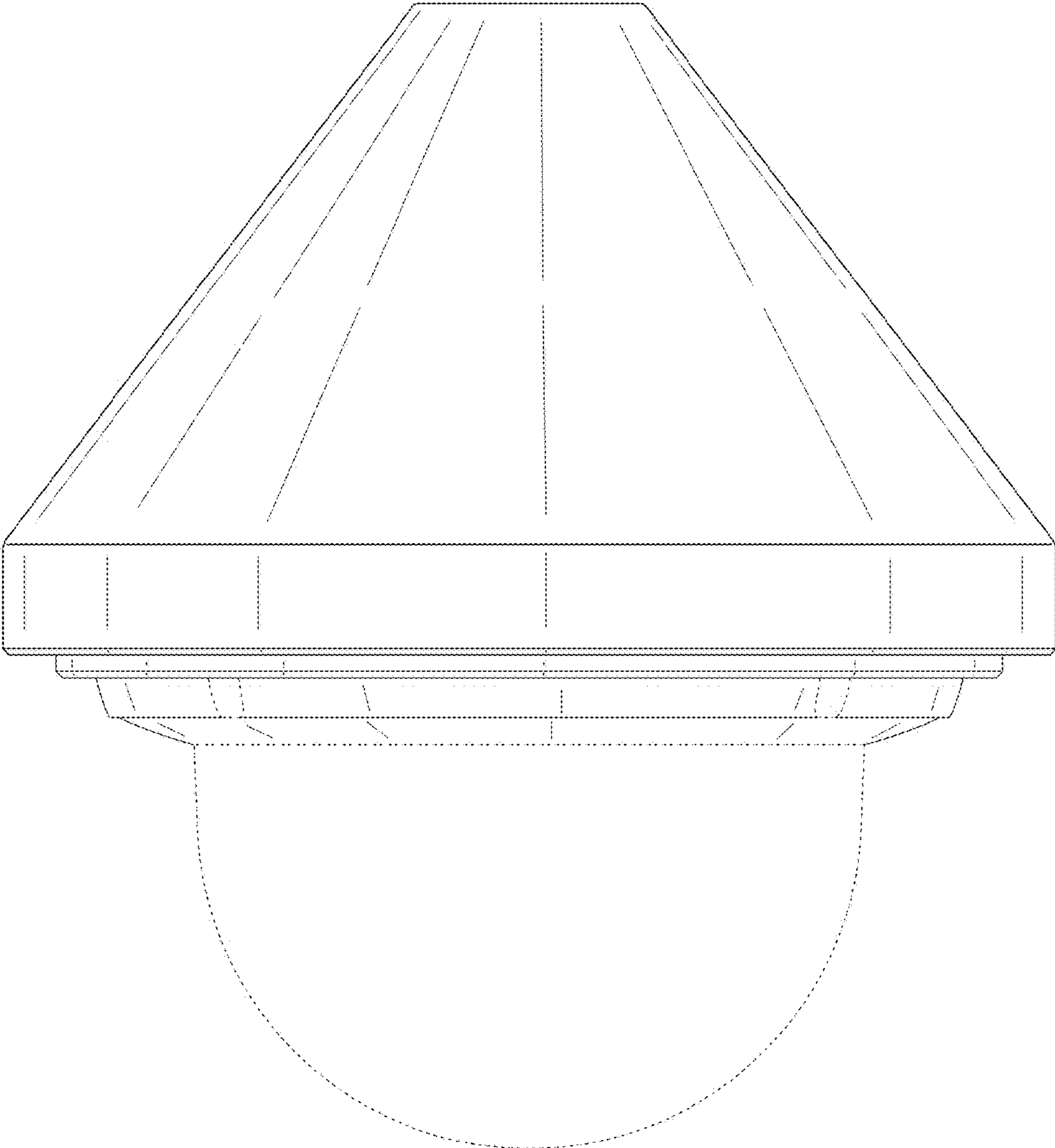


FIG. 3

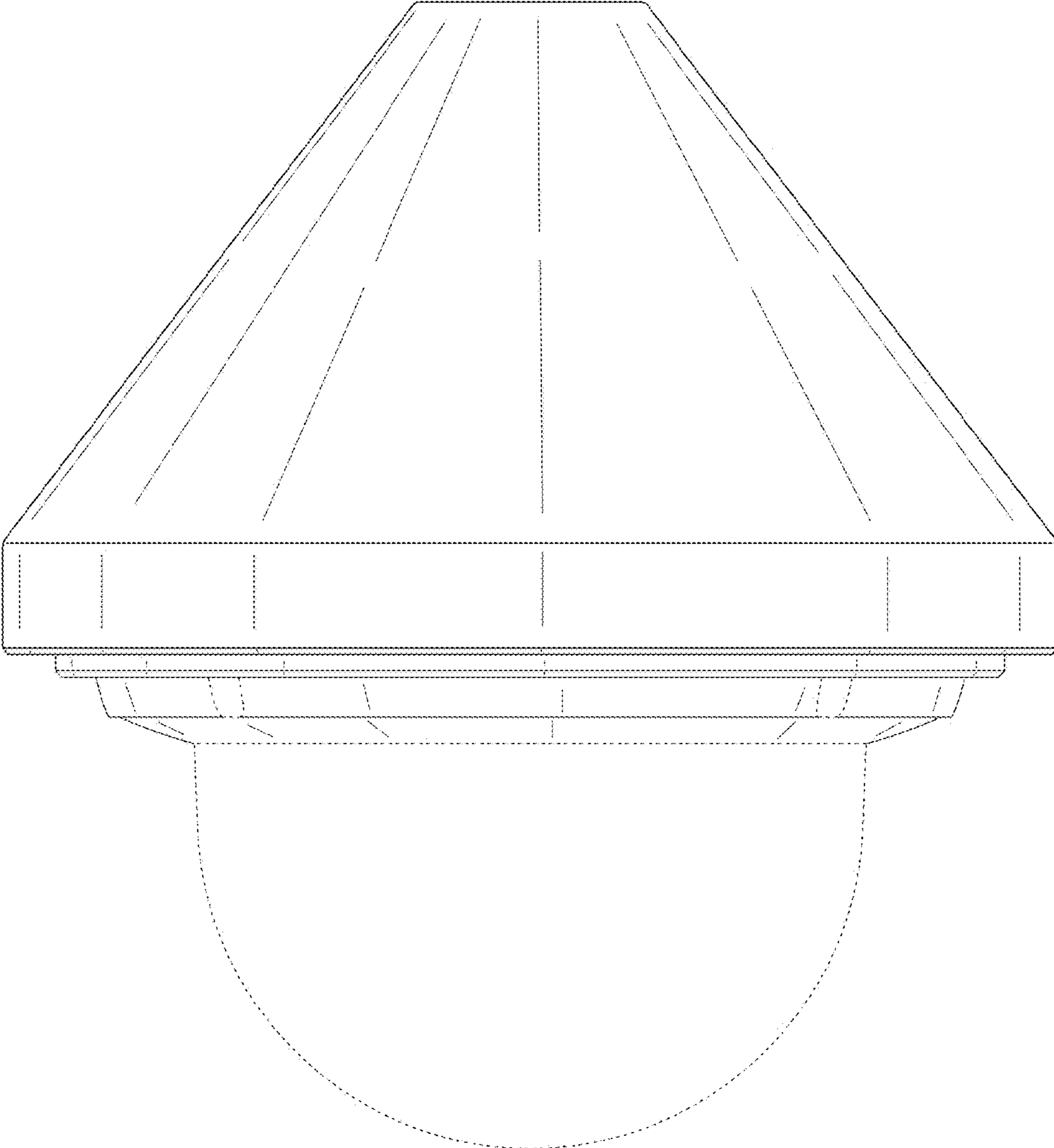


FIG. 4

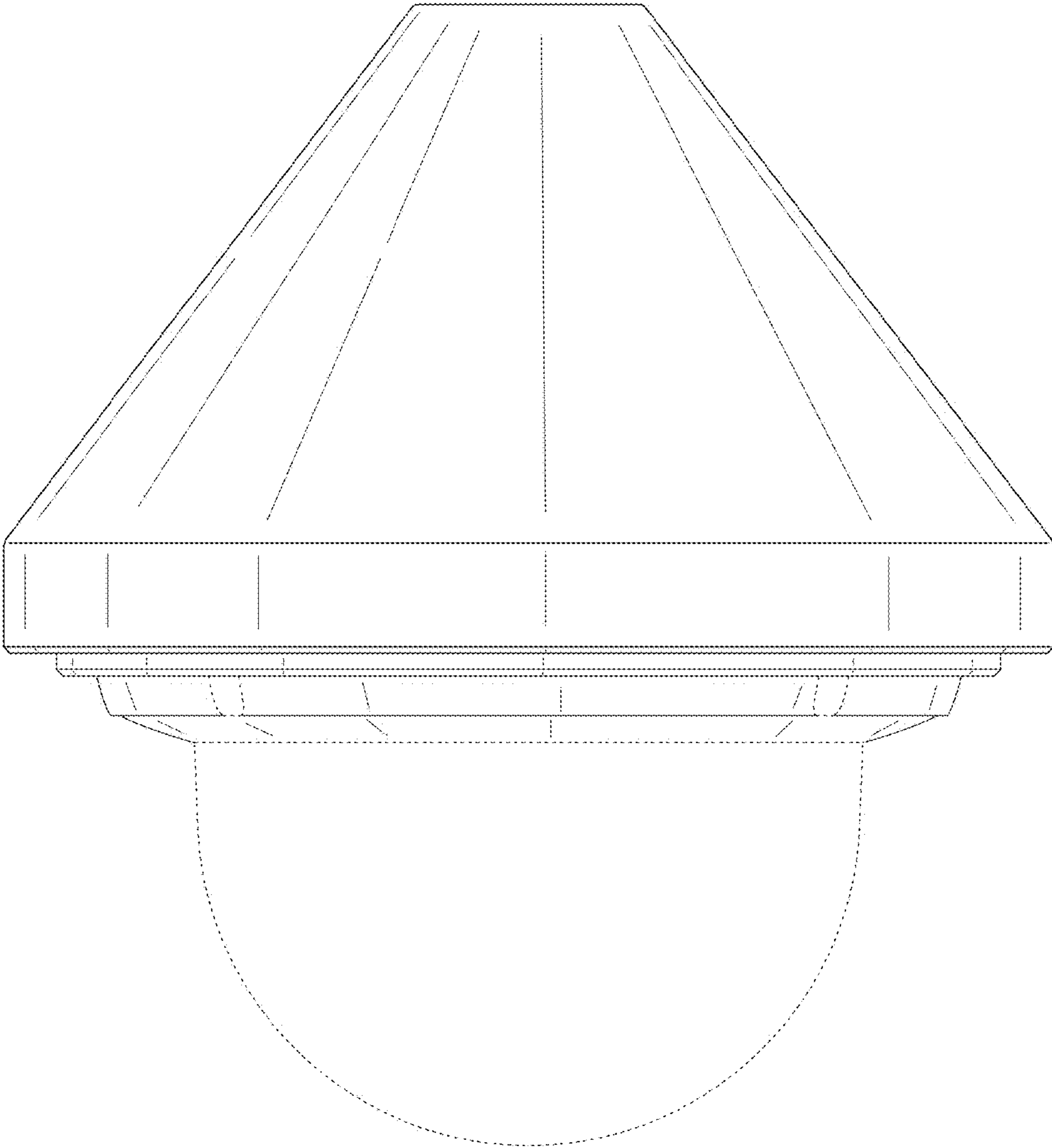


FIG. 5

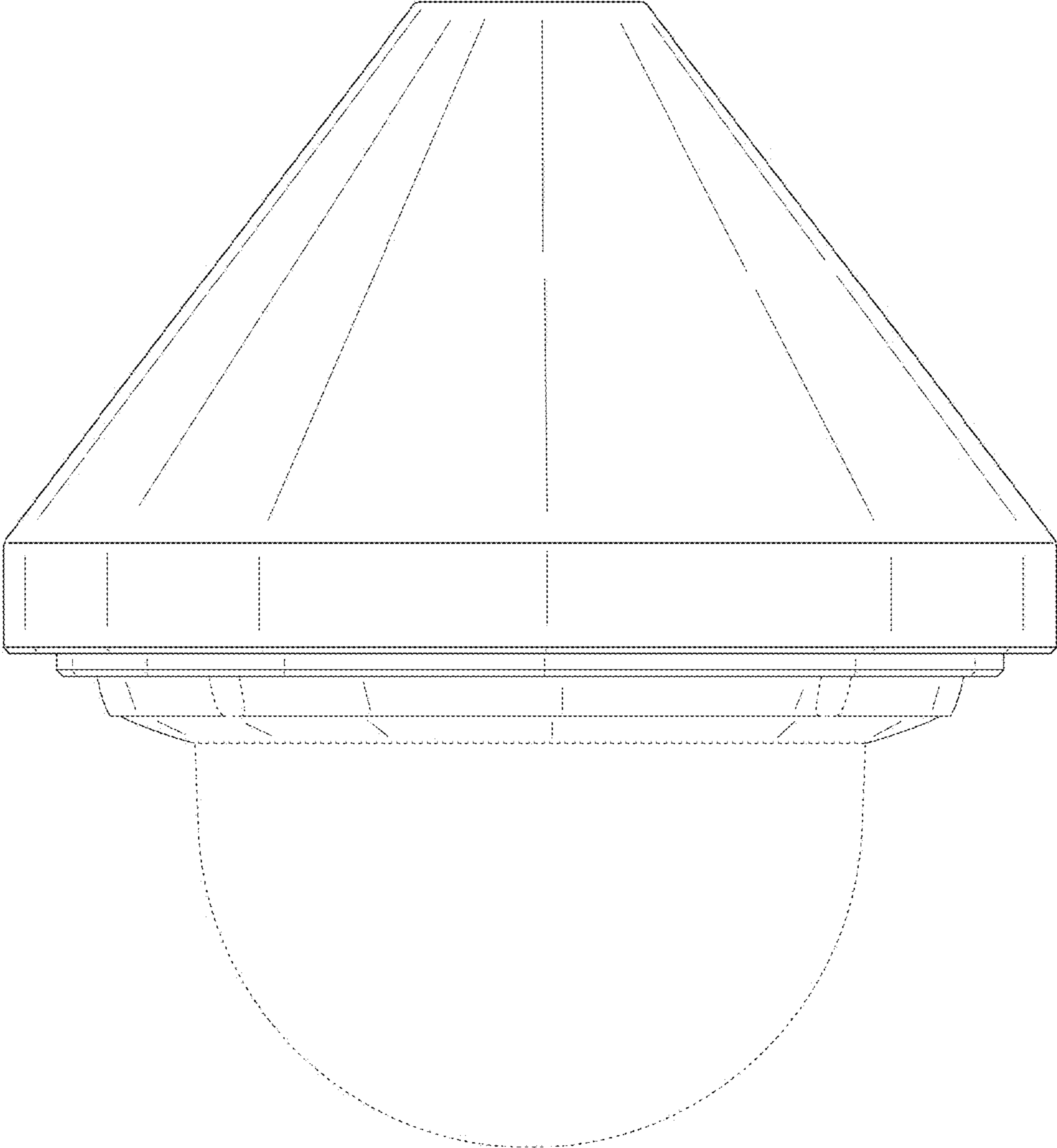


FIG. 6

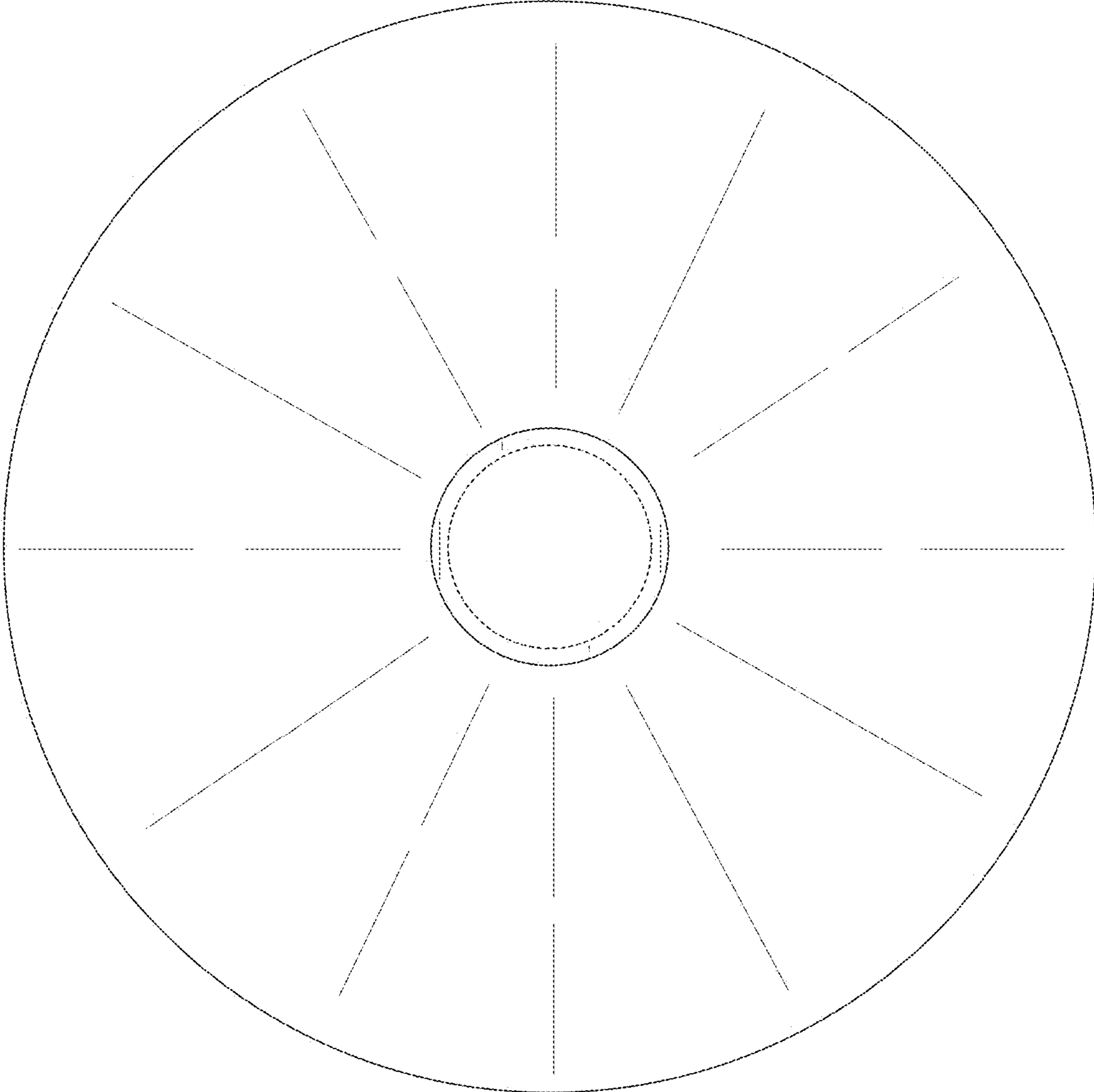


FIG. 7

