



US00D849111S

(12) **United States Design Patent**  
**Kamei**

(10) **Patent No.:** **US D849,111 S**

(45) **Date of Patent:** **\*\* May 21, 2019**

(54) **DIGITAL CAMERA**

(71) Applicant: **FUJIFILM Corporation**, Tokyo (JP)

(72) Inventor: **Keita Kamei**, Tokyo (JP)

(73) Assignee: **FUJIFILM Corporation**, Tokyo (JP)

(\*\*) Term: **14 Years**

(21) Appl. No.: **29/512,816**

(22) Filed: **Dec. 23, 2014**

(30) **Foreign Application Priority Data**

Jun. 23, 2014 (JP) ..... 2014-013590  
Jun. 23, 2014 (JP) ..... 2014-013591

(51) **LOC (11) Cl.** ..... **16-05**

(52) **U.S. Cl.**  
USPC ..... **D16/219**

(58) **Field of Classification Search**

USPC ..... D16/200, 202–206, 208, 218, 219;  
348/373–376; 396/177, 535, 539–541  
CPC ..... G03B 15/03; G03B 17/02; G03B 17/04;  
G03B 17/56; G03B 19/04; H04N 5/2251;  
H04N 5/2252; H04N 5/2253; H04N  
5/2254; H04N 2101/00

See application file for complete search history.

(56) **References Cited**

**U.S. PATENT DOCUMENTS**

D557,311 S \* 12/2007 Hanafusa ..... D16/202  
D596,218 S \* 7/2009 Kim ..... D16/202

D597,576 S \* 8/2009 Kim ..... D16/202  
D694,303 S \* 11/2013 Ham ..... D16/202  
D695,802 S \* 12/2013 Kim ..... D16/200  
D706,329 S \* 6/2014 Sakai ..... D16/202  
D719,599 S \* 12/2014 Fujita ..... D16/202  
D719,993 S \* 12/2014 Soejima ..... D16/202  
D720,786 S \* 1/2015 Imamizu ..... D16/202  
D722,332 S \* 2/2015 Kobayashi ..... D16/202  
D724,645 S \* 3/2015 Kim ..... D16/219  
D749,659 S \* 2/2016 Kamei ..... D16/202  
2011/0298970 A1\* 12/2011 Shinohara ..... G03B 17/14  
348/373

\* cited by examiner

*Primary Examiner* — Ramzi S Almatrahi

(74) *Attorney, Agent, or Firm* — Young & Thompson

(57) **CLAIM**

The ornamental design for a digital camera, as shown and described.

**DESCRIPTION**

FIG. 1 is a top, front and left side perspective view of a digital camera showing my new design;  
FIG. 2 is a top, rear and left side perspective view thereof;  
FIG. 3 is a front elevational view thereof;  
FIG. 4 is a rear elevational view thereof;  
FIG. 5 is a top plan view thereof;  
FIG. 6 is a bottom plan view thereof;  
FIG. 7 is a left side elevational view thereof; and,  
FIG. 8 is a right side elevational view thereof.  
The broken lines depict portions of the digital camera in which the design is embodied that form no part of the claimed design.

**1 Claim, 8 Drawing Sheets**

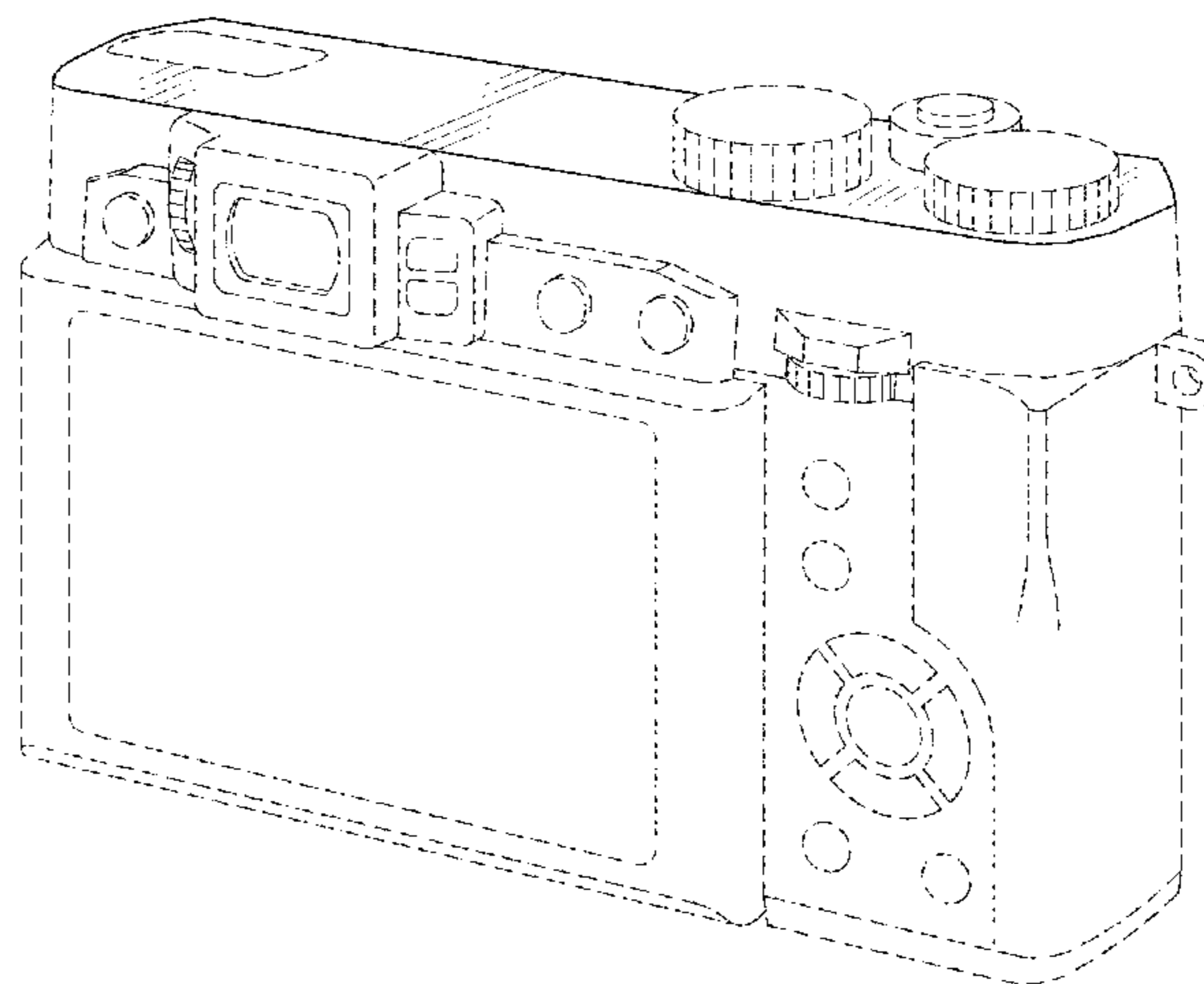
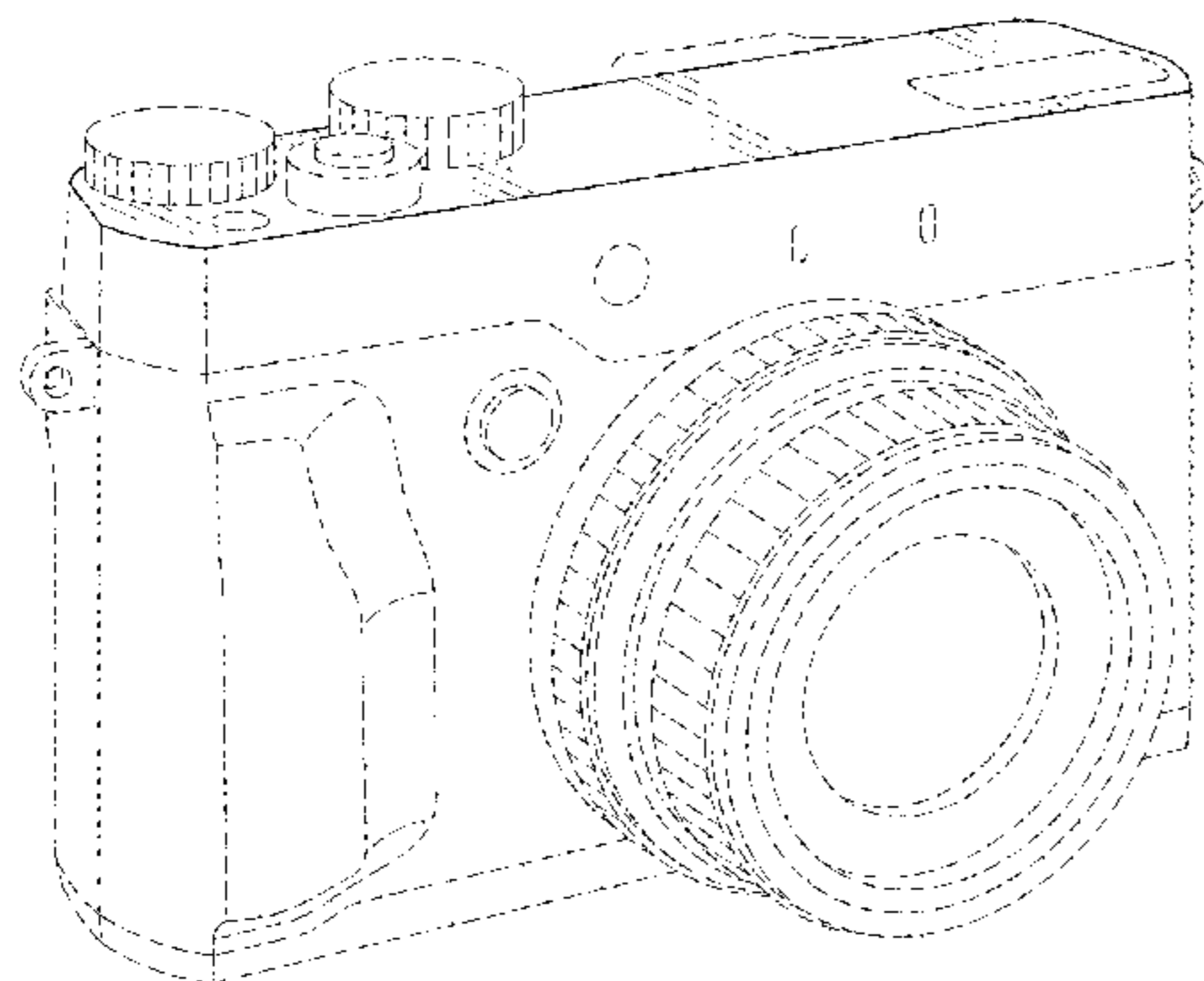


FIG. 1

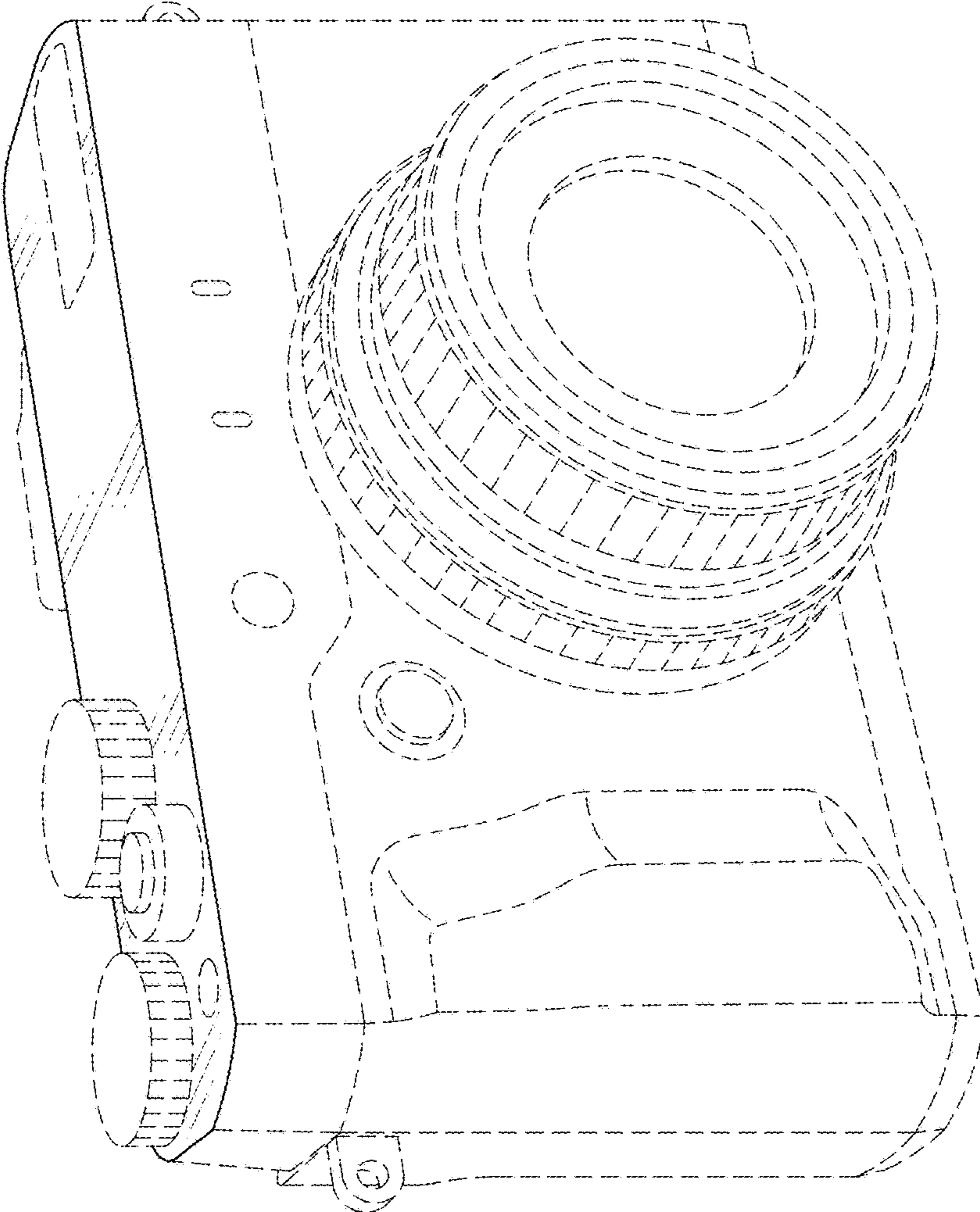


FIG. 2

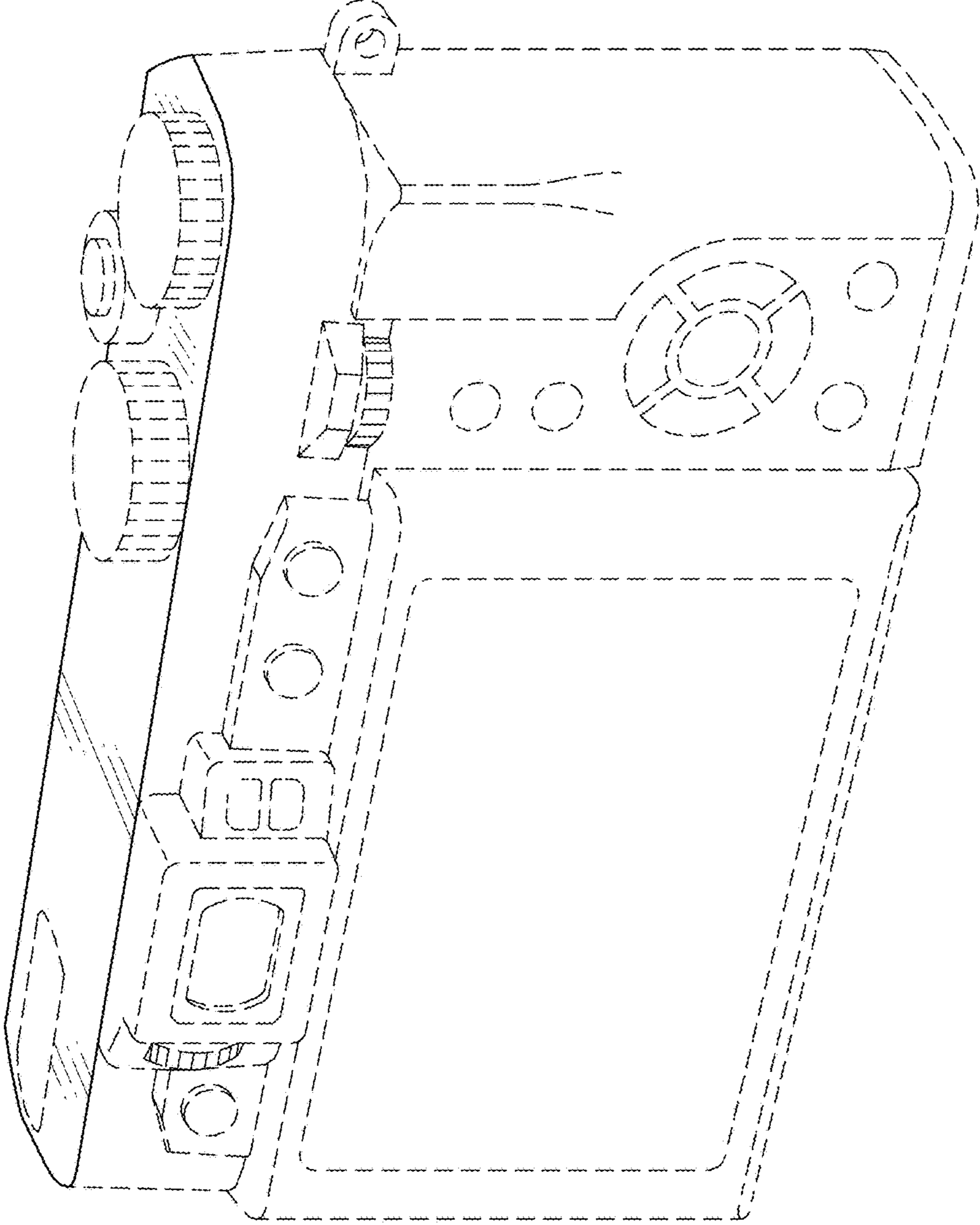


FIG. 3

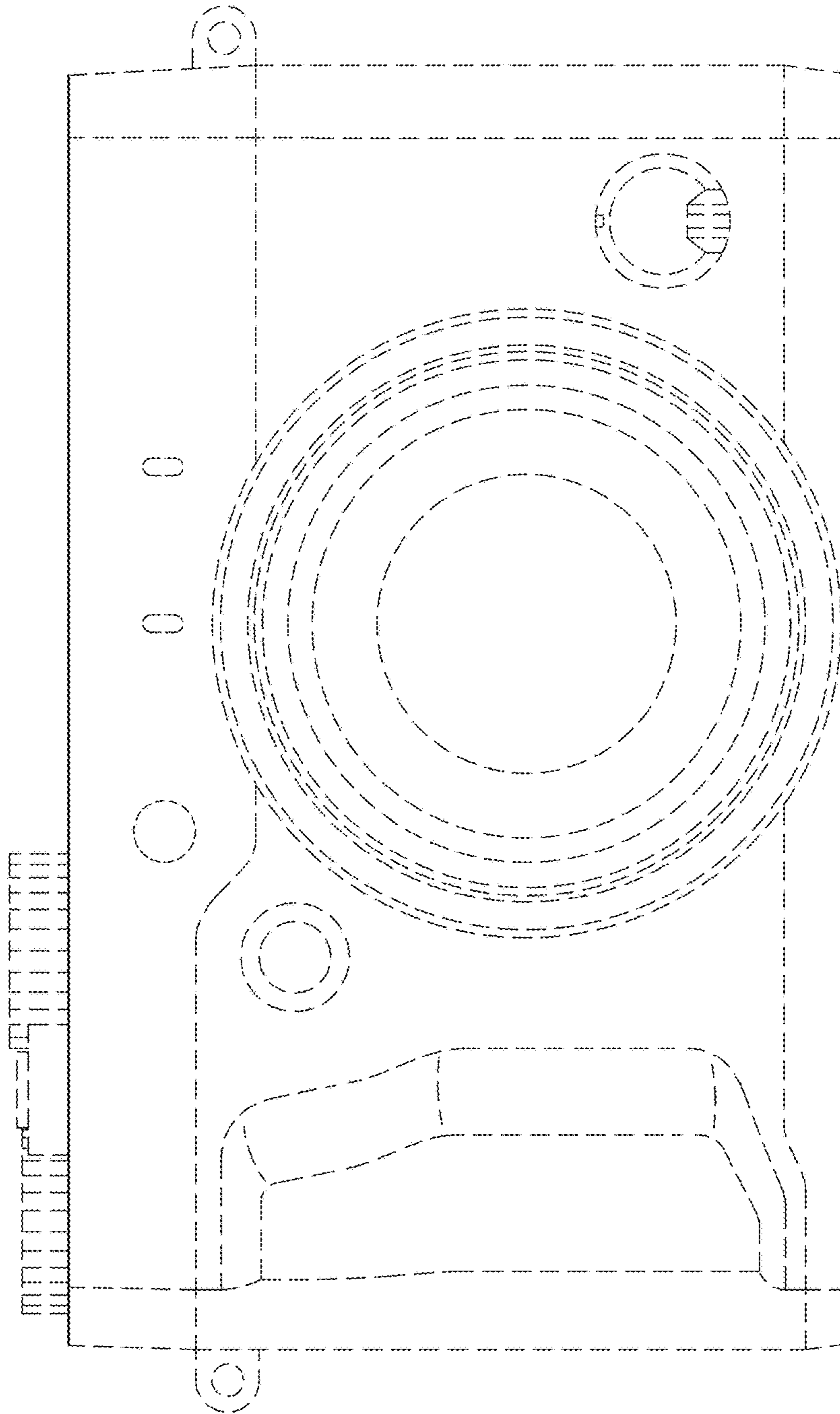




FIG. 4

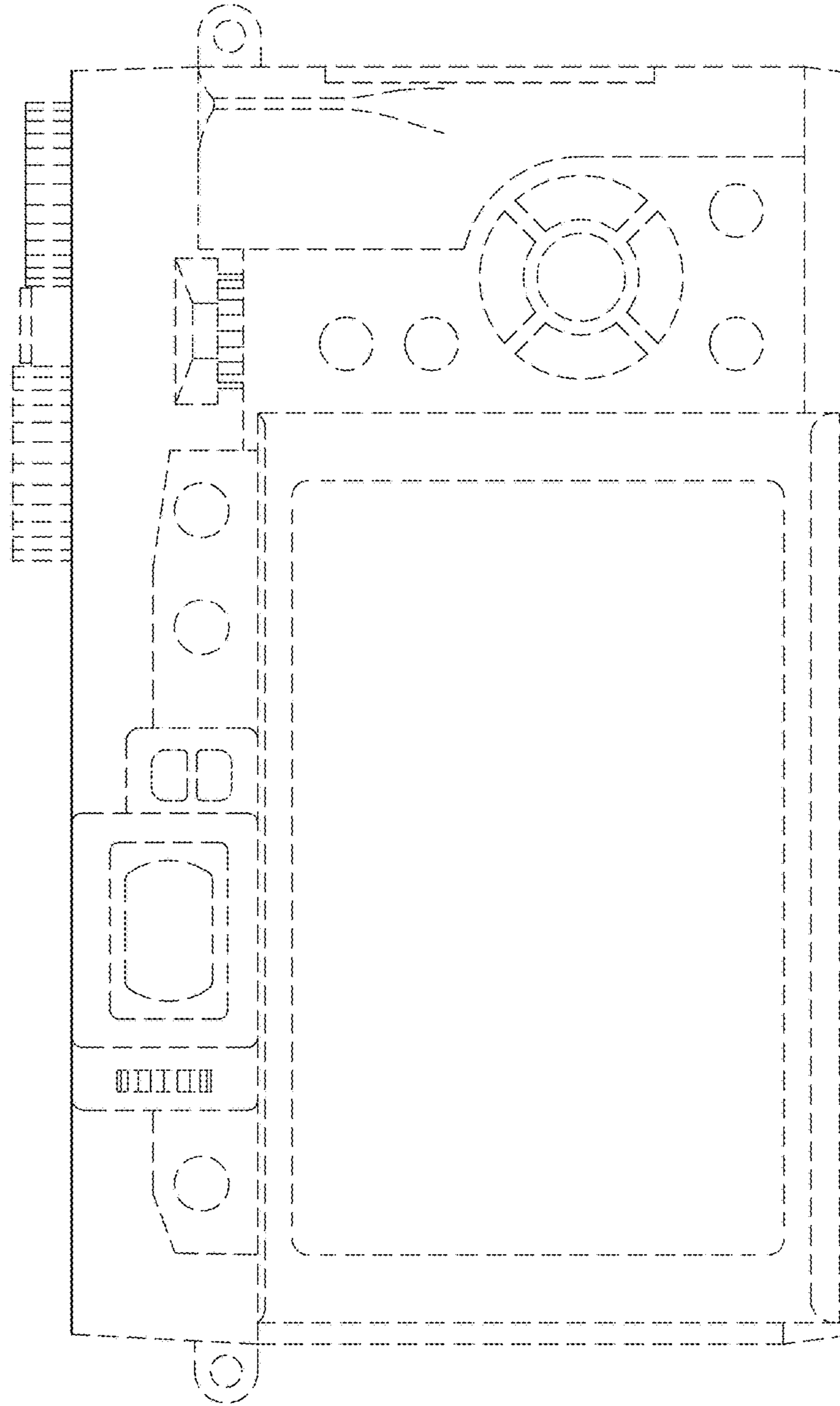


FIG. 5

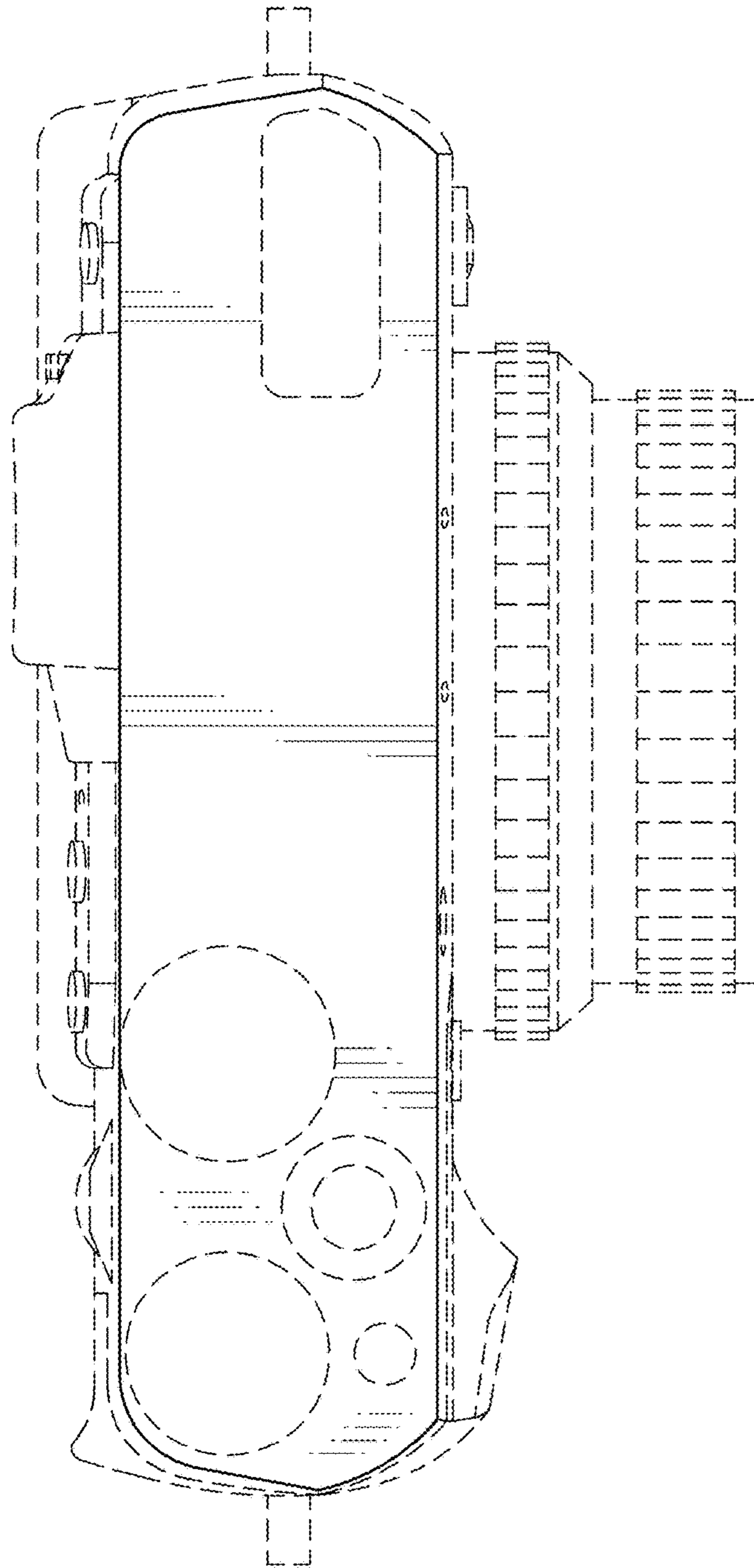


FIG. 6

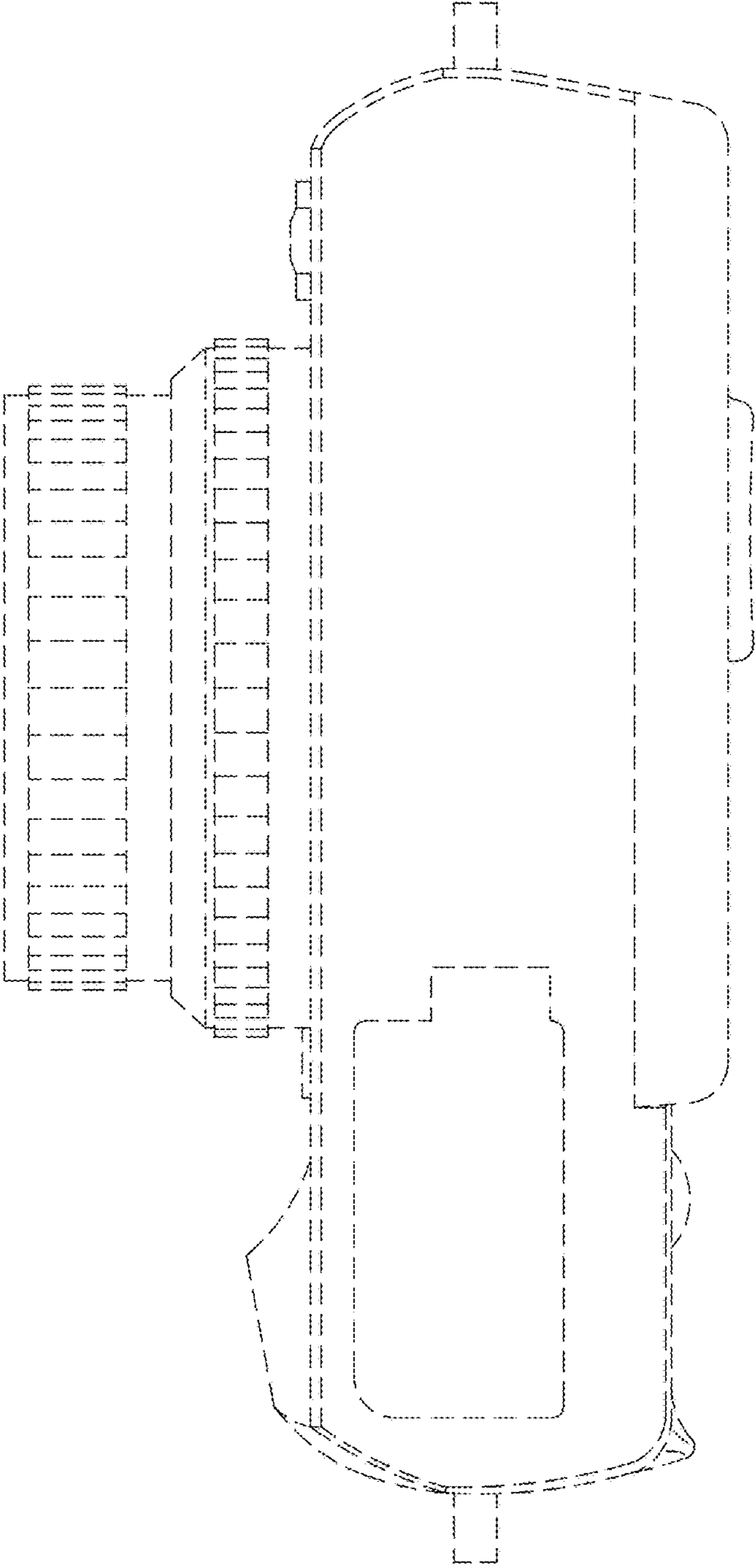


FIG. 7

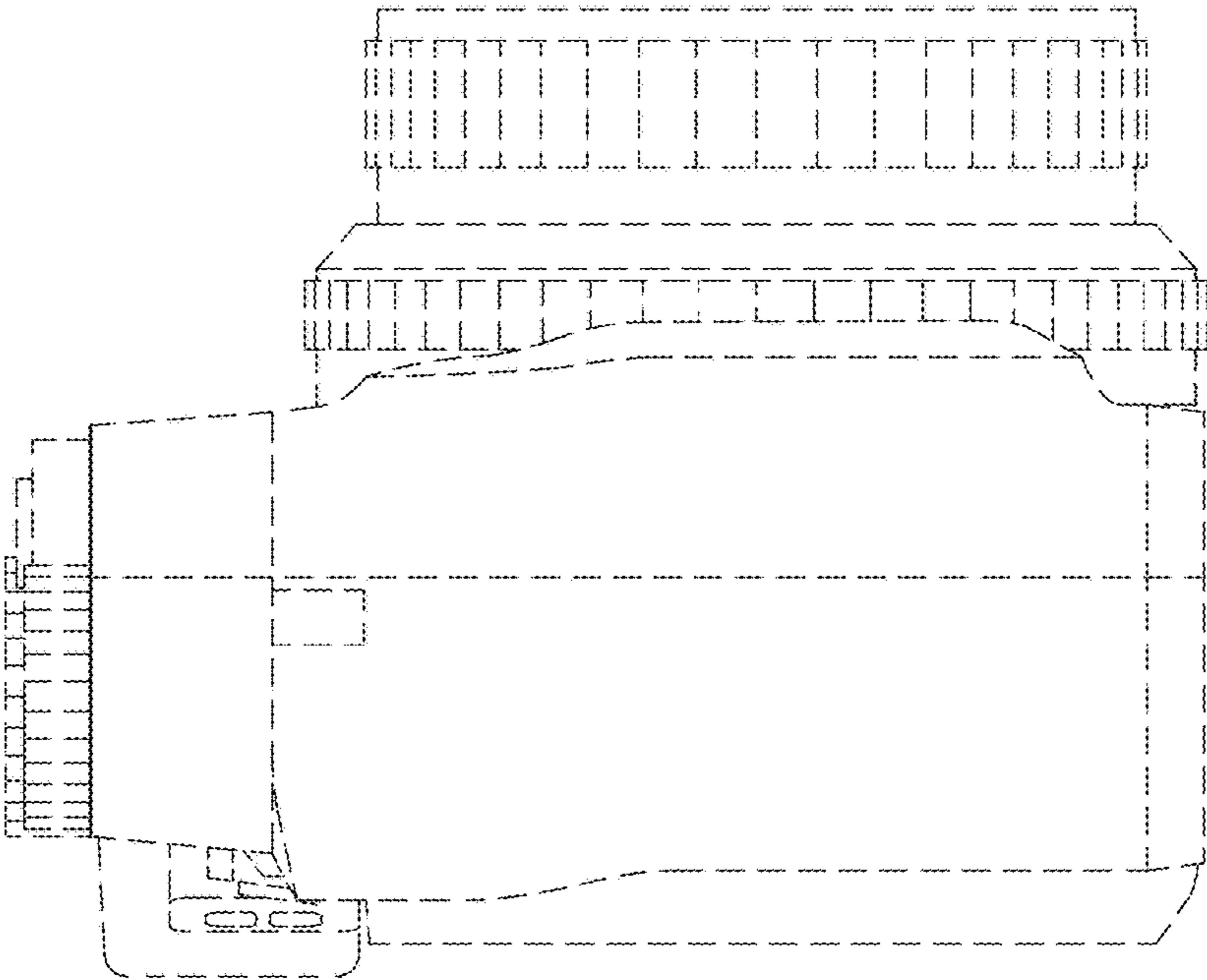




FIG. 8

