



US00D849110S

(12) **United States Design Patent**
Khubani

(10) **Patent No.:** **US D849,110 S**

(45) **Date of Patent:** **** May 21, 2019**

- (54) **CAMERA**
- (71) Applicant: **DaVinci II CSJ, LLC**, Fairfield, NJ (US)
- (72) Inventor: **Ajit Khubani**, Saddle River, NJ (US)
- (73) Assignee: **DaVinci II CSJ, LLC**, Fairfield, NJ (US)

8,467,675 B2 * 6/2013 Chen G03B 17/02
348/374
D713,868 S * 9/2014 Yang D16/202
D727,387 S * 4/2015 Hasegawa D16/203
D727,991 S * 4/2015 Hasegawa D16/203
D730,423 S 5/2015 Vandebussche
D745,589 S 12/2015 Lee et al.
D750,687 S 3/2016 Samuels et al.

(Continued)

(**) Term: **15 Years**

FOREIGN PATENT DOCUMENTS

CN 206922887 U 1/2018

(21) Appl. No.: **29/663,426**

OTHER PUBLICATIONS

(22) Filed: **Sep. 14, 2018**

Polaroid Cube+ Wi-Fi Lifestyle Action Camera, accessed on Sep. 7, 2018, available at <https://www.polaroid.com/products/cube-plus-action-camera>.

(51) **LOC (11) Cl.** **16-01**

(52) **U.S. Cl.**
USPC **D16/218**

(Continued)

(58) **Field of Classification Search**
USPC D16/200, 202–208, 218, 219; D14/167, D14/168, 170–172, 188, 194, 204, D14/210–216, 219, 221, 222, 224; 181/144, 148, 153, 157, 198; 369/6–12; 381/301–303, 306, 332, 334, 336, 345, 381/361–363
CPC G03B 17/02; G03B 19/04; G03B 17/56; G03B 17/04; G03B 15/03; H04N 5/2251; H04N 5/2252; H04N 5/2253; H04N 5/2254; H04N 7/181; H04N 7/183; H04N 7/18; G08B 13/1963; G08B 13/19619; G08B 13/19632

See application file for complete search history.

Primary Examiner — Ramzi S Almatrahi
(74) *Attorney, Agent, or Firm* — Cooper & Dunham, LLP

(56) **References Cited**

U.S. PATENT DOCUMENTS

4,646,141 A * 2/1987 Timmermans H01J 29/867
348/262
D339,365 S * 9/1993 Urcuilio D16/203
D441,386 S * 5/2001 Yamazaki D16/203
D442,982 S * 5/2001 Adachi D16/203
D504,904 S * 5/2005 Nagai D16/203
D616,480 S 5/2010 Ookawa et al.

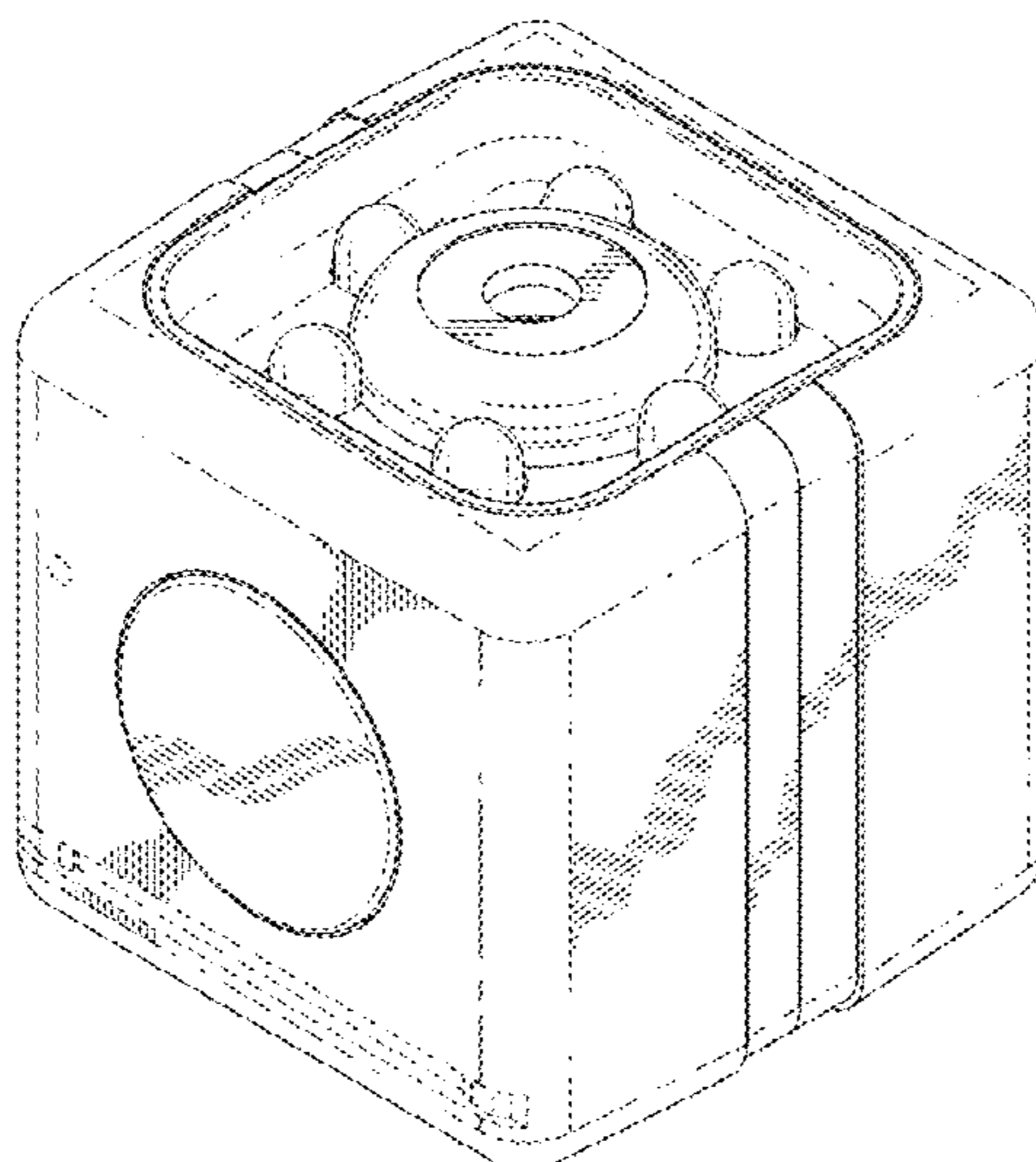
(57) **CLAIM**

The ornamental design for a camera, as shown and described.

DESCRIPTION

FIG. 1 is a perspective view of a camera in accordance with the present design;
FIG. 2 is a top view thereof;
FIG. 3 is a bottom view thereof;
FIG. 4 is a left view thereof;
FIG. 5 is a right view thereof;
FIG. 6 is a front view thereof; and,
FIG. 7 is a back view thereof.
The broken lines depict portions of the camera in which the design is embodied that form no part of the claimed design. The shading represents contour of the claimed design.

1 Claim, 7 Drawing Sheets



(56)

References Cited

U.S. PATENT DOCUMENTS

D762,759 S 8/2016 Wu et al.
9,661,195 B2 5/2017 Jing et al.
D788,835 S * 6/2017 Wu D16/218
2011/0216195 A1 * 9/2011 Tanaka H04N 5/2253
348/148
2011/0317065 A1 * 12/2011 Lin G03B 17/02
348/373

OTHER PUBLICATIONS

SQ11 Mini Camera HD Camcorder Night Vision 1080P Mini DV
Voice Video Recorder Black, accessed on Sep. 7, 2018, available at
[https://www.amazon.com/Camera-Camcorder-Night-Vision-Recorder/
dp/B074QLGS58](https://www.amazon.com/Camera-Camcorder-Night-Vision-Recorder/dp/B074QLGS58).

* cited by examiner

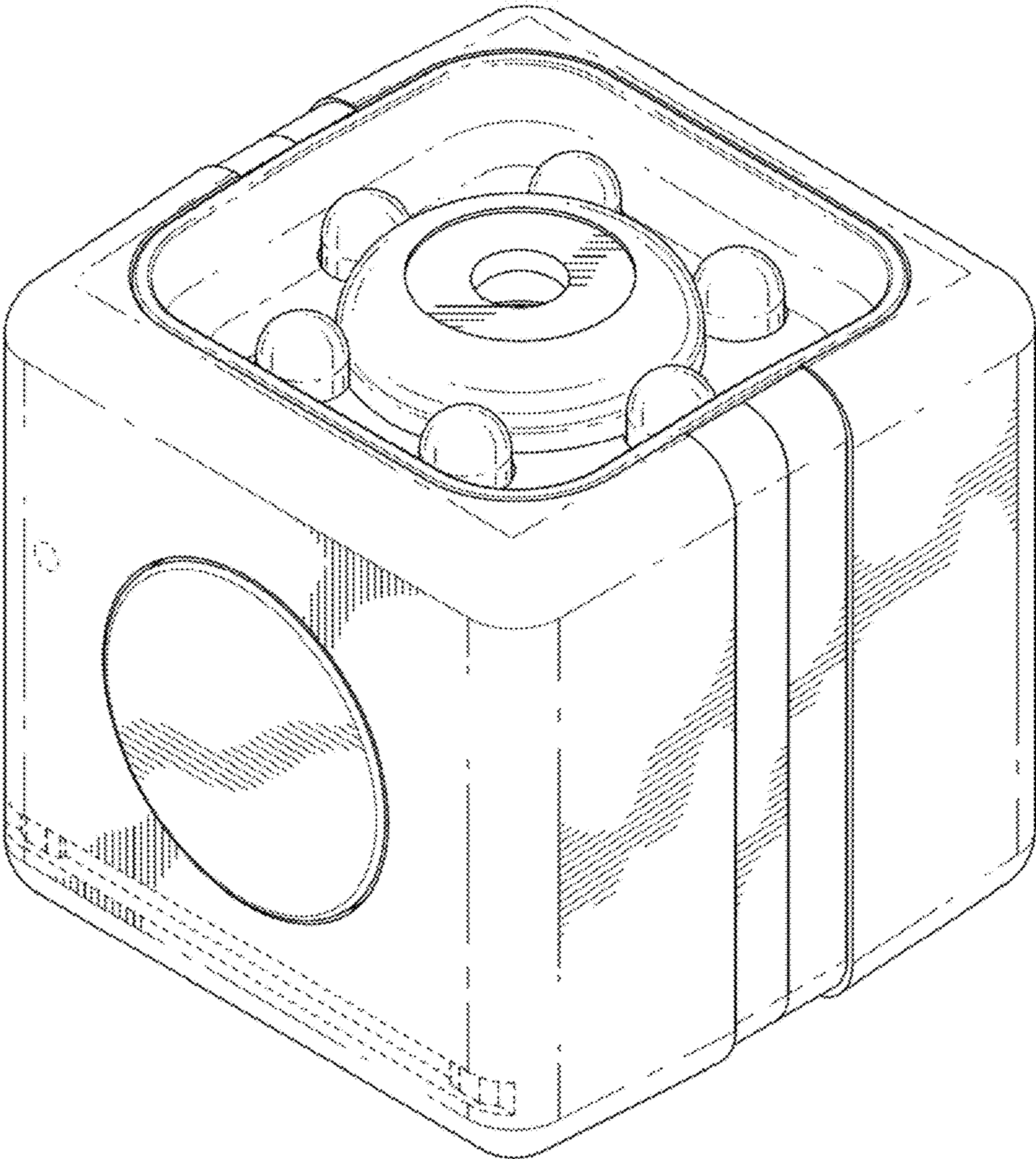


FIG. 1

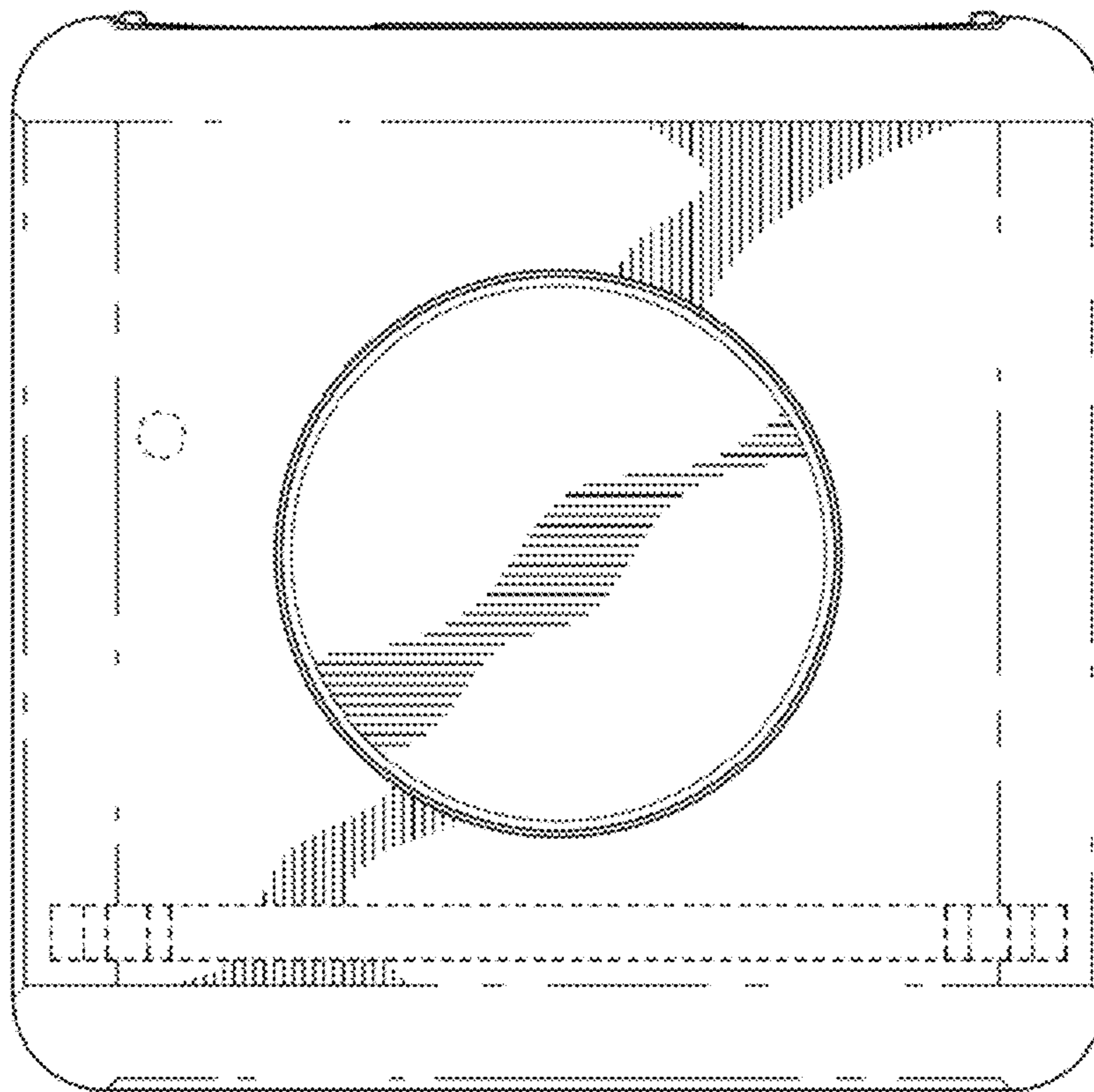


FIG. 2

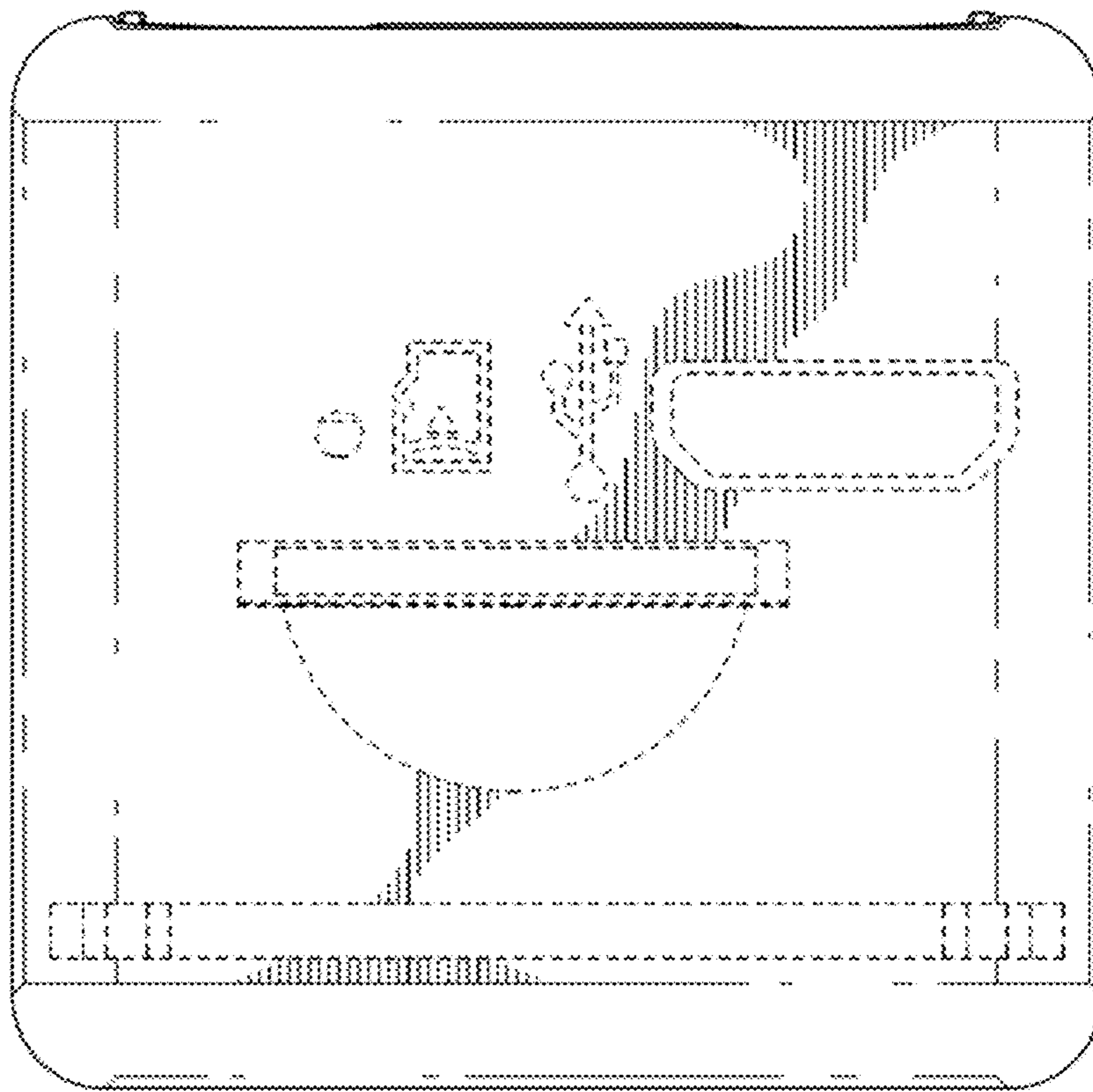


FIG. 3

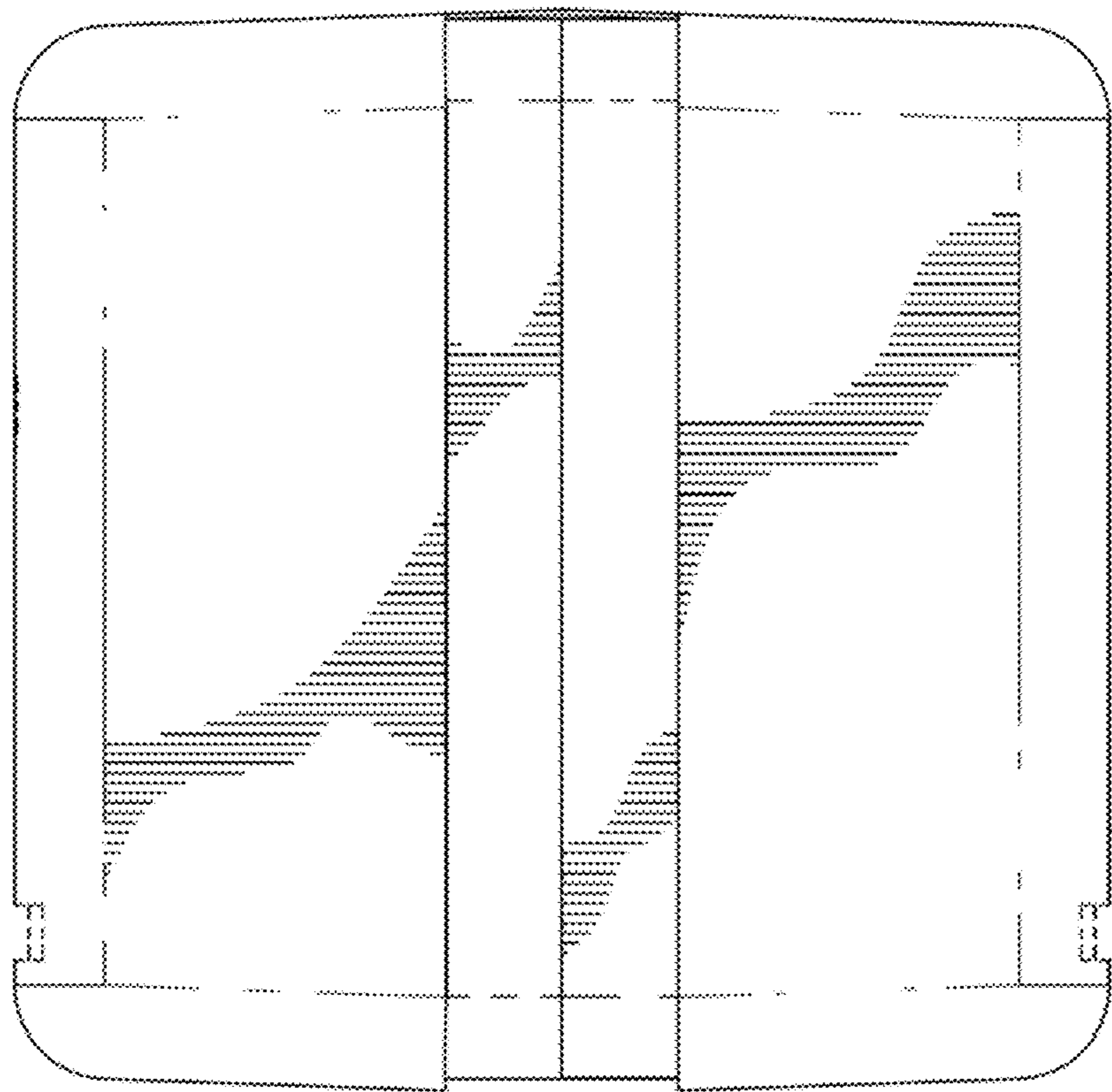


FIG. 4

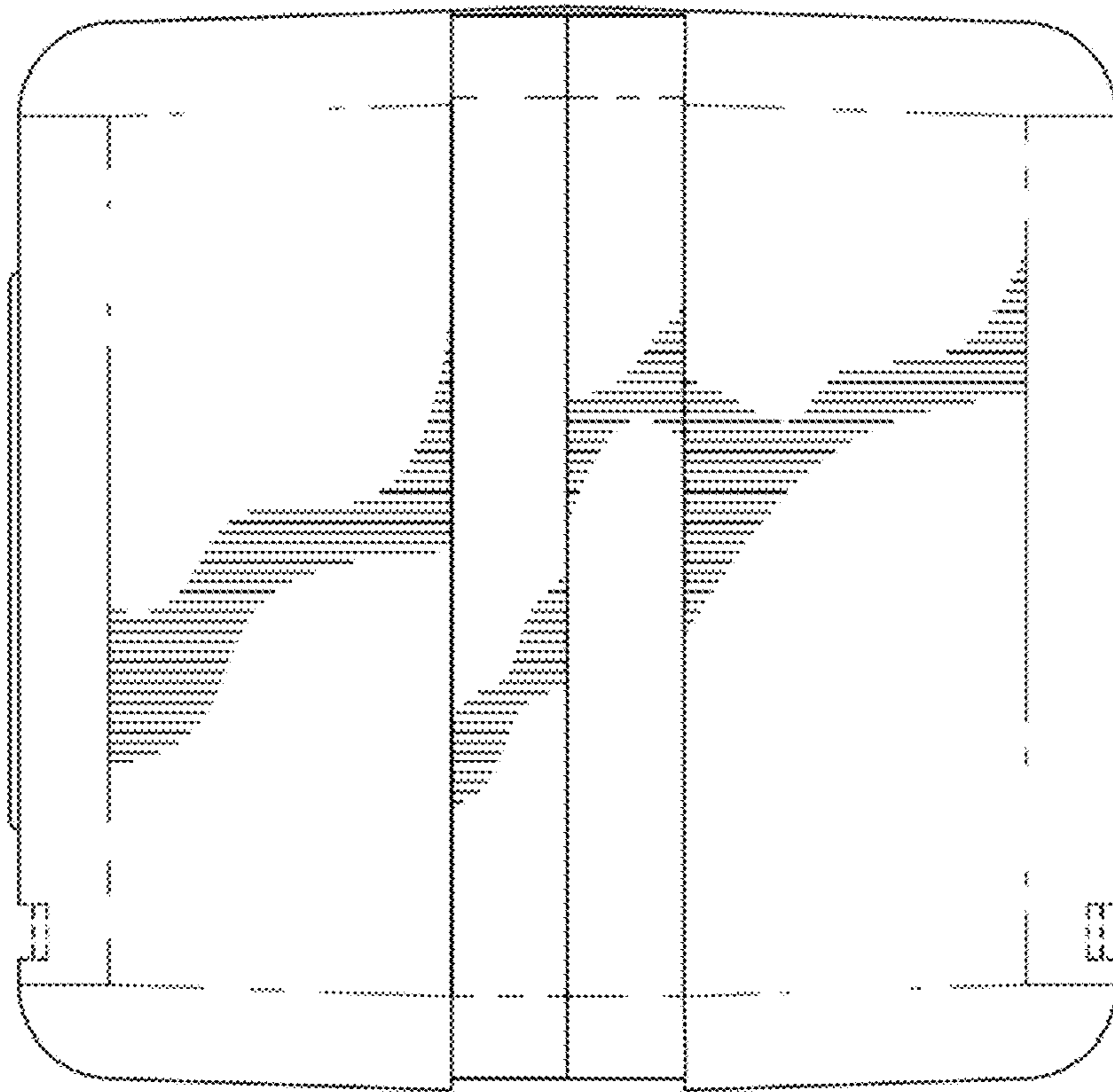


FIG. 5

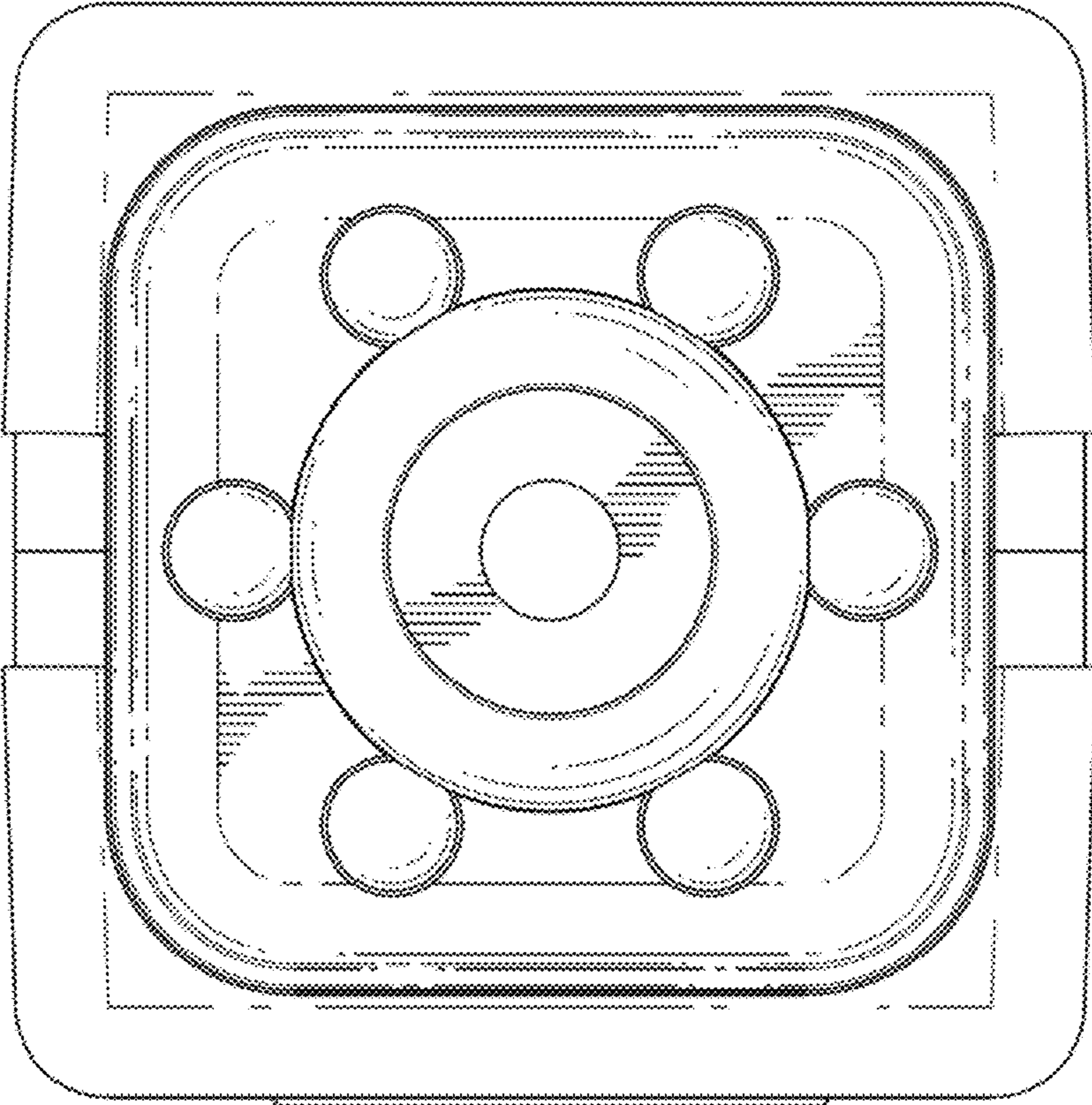


FIG. 6

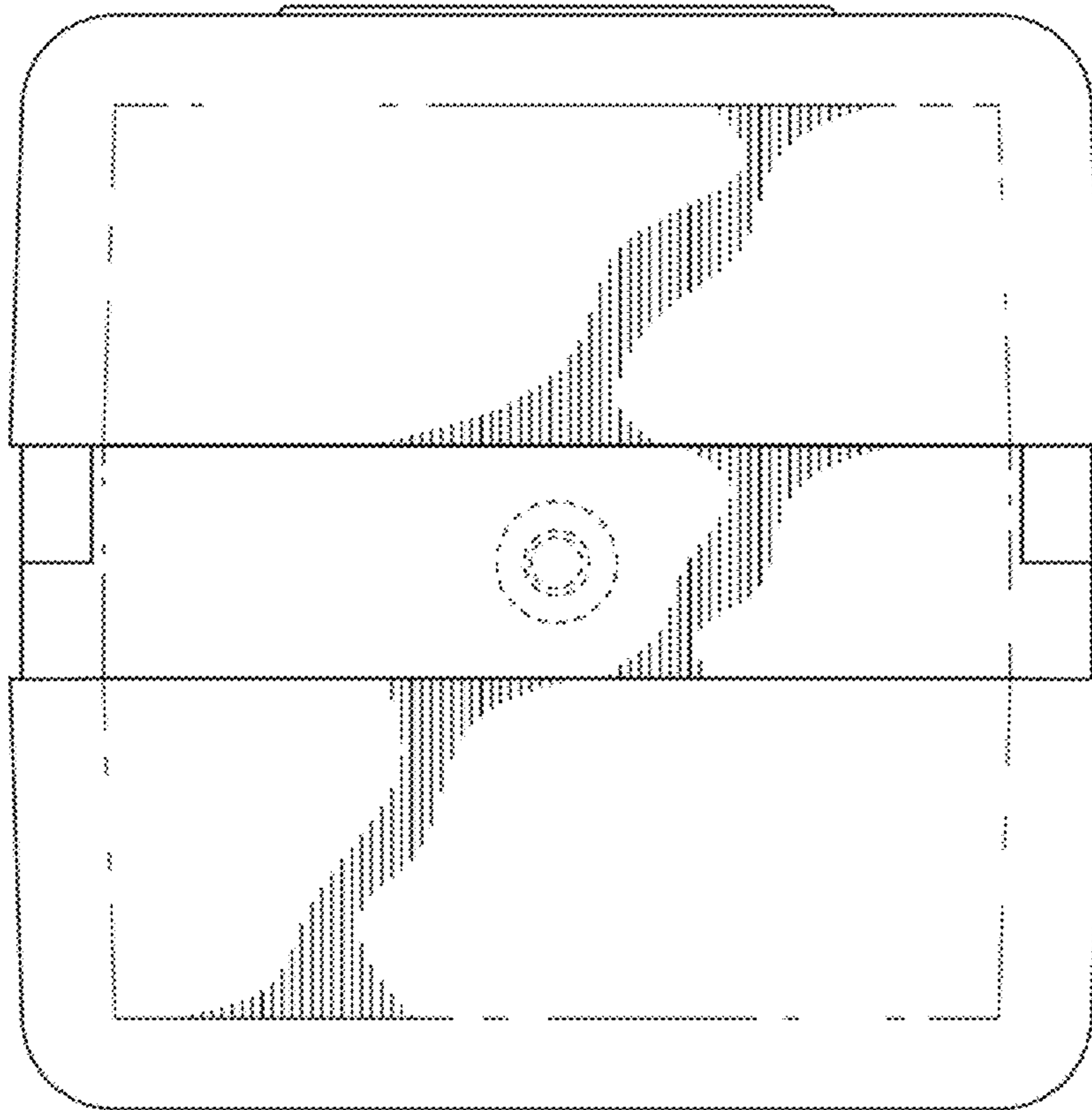


FIG. 7