



US00D849109S

(12) **United States Design Patent** (10) **Patent No.:** **US D849,109 S**
Tong (45) **Date of Patent:** **** May 21, 2019**

- (54) **CAMERA**
- (71) Applicant: **RAZER (ASIA-PACIFIC) PTE. LTD.,**
Singapore (SG)
- (72) Inventor: **Ien Yu Tong, Johor (MY)**
- (73) Assignee: **RAZER (ASIA-PACIFIC) PTE. LTD.,**
Singapore (SG)
- (**) Term: **15 Years**
- (21) Appl. No.: **29/660,717**
- (22) Filed: **Aug. 22, 2018**

Related U.S. Application Data

- (62) Division of application No. 29/614,407, filed on Aug. 18, 2017.
- (51) **LOC (11) Cl.** **16-01**
- (52) **U.S. Cl.**
USPC **D16/218**
- (58) **Field of Classification Search**
USPC D16/200, 202–206, 218, 219, 242;
D10/106.2, 106.3, 106.5, 118.1; 348/143,
348/148, 151, 373–376; 396/419, 427,
396/535, 539–541
CPC G03B 17/02; G03B 19/04; G03B 17/56;
G03B 17/04; G03B 15/03; H04N 5/2251;
H04N 5/2252; H04N 5/2253; H04N
5/2254; H04N 7/181; H04N 7/183; H04N
7/18; G08B 13/1963; G08B 13/19619;
G08B 13/19632
See application file for complete search history.

(56) **References Cited**

U.S. PATENT DOCUMENTS

- D566,158 S * 4/2008 Yasutomi D16/134
- 8,265,472 B2 * 9/2012 Masuki G03B 17/00
396/535
- D679,309 S * 4/2013 Park D16/218

- D693,869 S * 11/2013 Asano D16/219
- D716,361 S * 10/2014 Tsuge D16/218
- D718,362 S * 11/2014 Noh D16/219
- D730,422 S * 5/2015 Kim D16/218
- D748,709 S * 2/2016 Jeong D16/202
- D754,233 S * 4/2016 Du D16/211
- D776,182 S * 1/2017 Lagerstedt D16/218
- D796,569 S * 9/2017 Chang D16/218
- 2010/0284081 A1 * 11/2010 Gutierrez G02B 7/102
359/554
- 2013/0265662 A1 * 10/2013 Araie G02B 7/02
359/827

* cited by examiner

Primary Examiner — Ramzi S Almatrahi

(74) *Attorney, Agent, or Firm* — Polsinelli PC

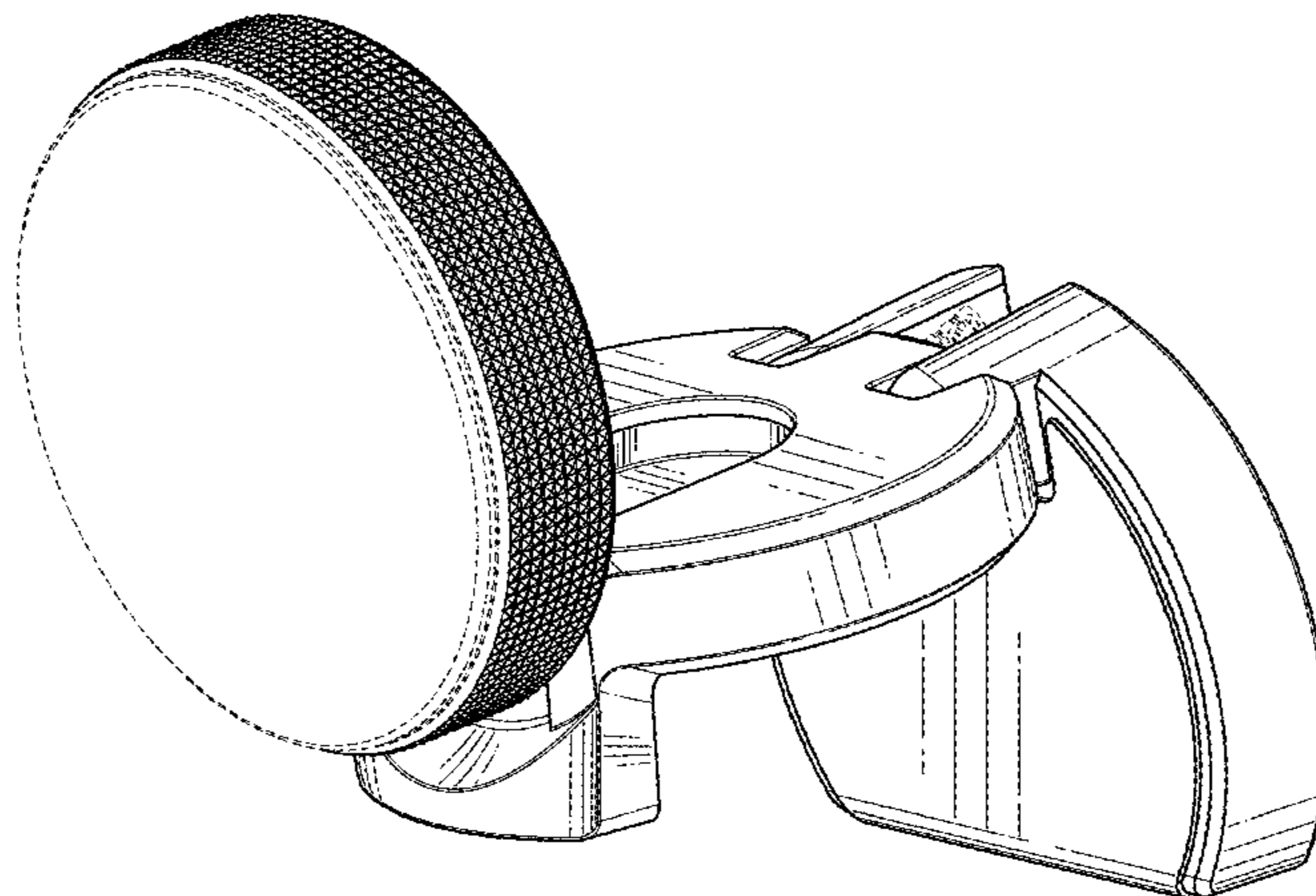
(57) **CLAIM**

I claim the ornamental design for a camera, as shown and described.

DESCRIPTION

FIG. 1 is a front perspective view of a camera showing my new design;
 FIG. 2 is a front elevational view thereof;
 FIG. 3 is a rear elevational view thereof;
 FIG. 4 is a right side elevational view thereof;
 FIG. 5 is a left side elevational view thereof;
 FIG. 6 is a top plan view thereof; and
 FIG. 7 is a bottom plan view thereof.
 FIG. 8 is a front perspective view thereof, shown in a closed configuration;
 FIG. 9 is a front elevational view thereof;
 FIG. 10 is a rear elevational view thereof;
 FIG. 11 is a right side elevational view thereof;
 FIG. 12 is a left side elevational view thereof;
 FIG. 13 is a top plan view thereof; and,
 FIG. 14 is a bottom plan view thereof.
 The broken lines depict portions of the camera which form no part of the claimed design.

1 Claim, 14 Drawing Sheets



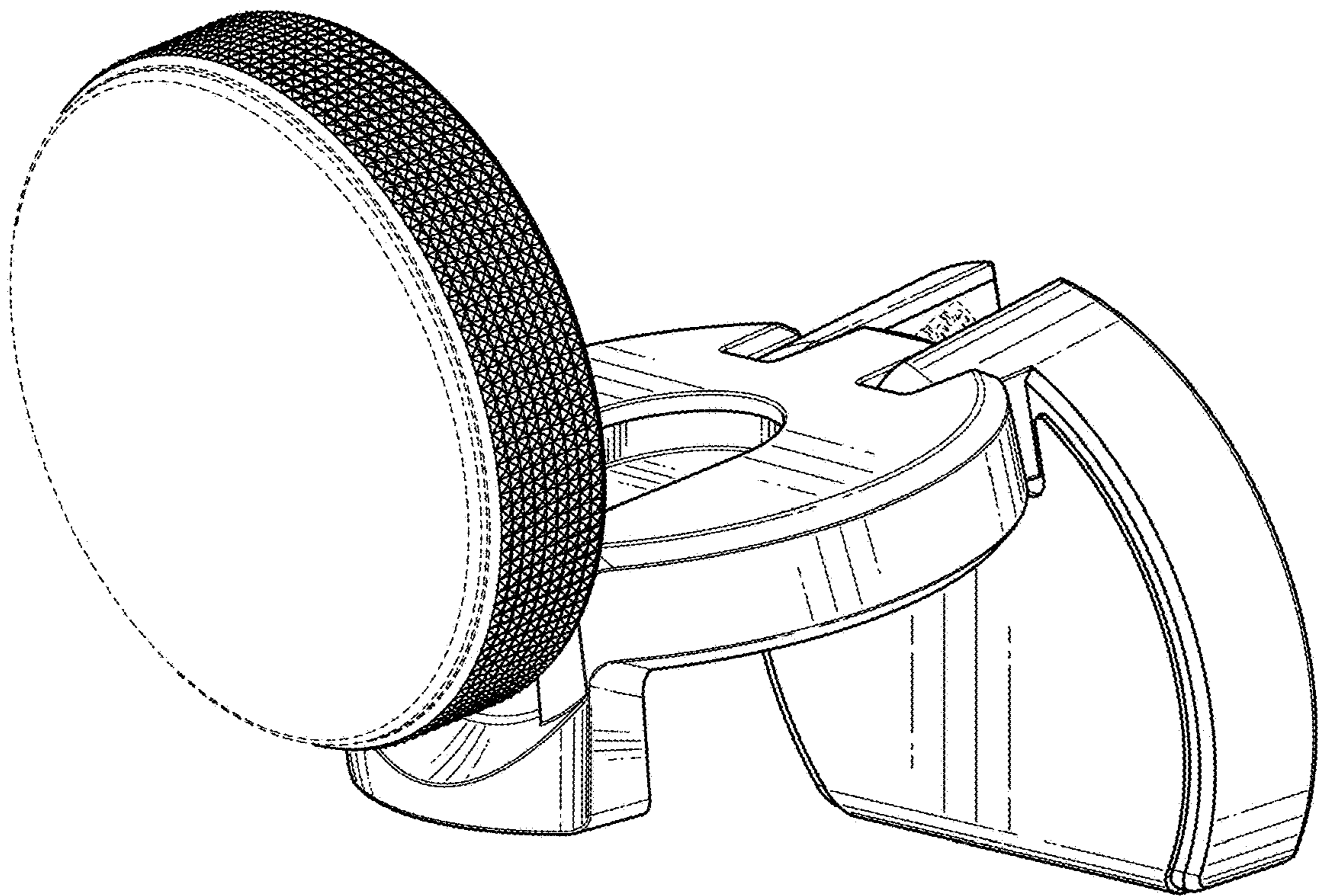


FIG. 1

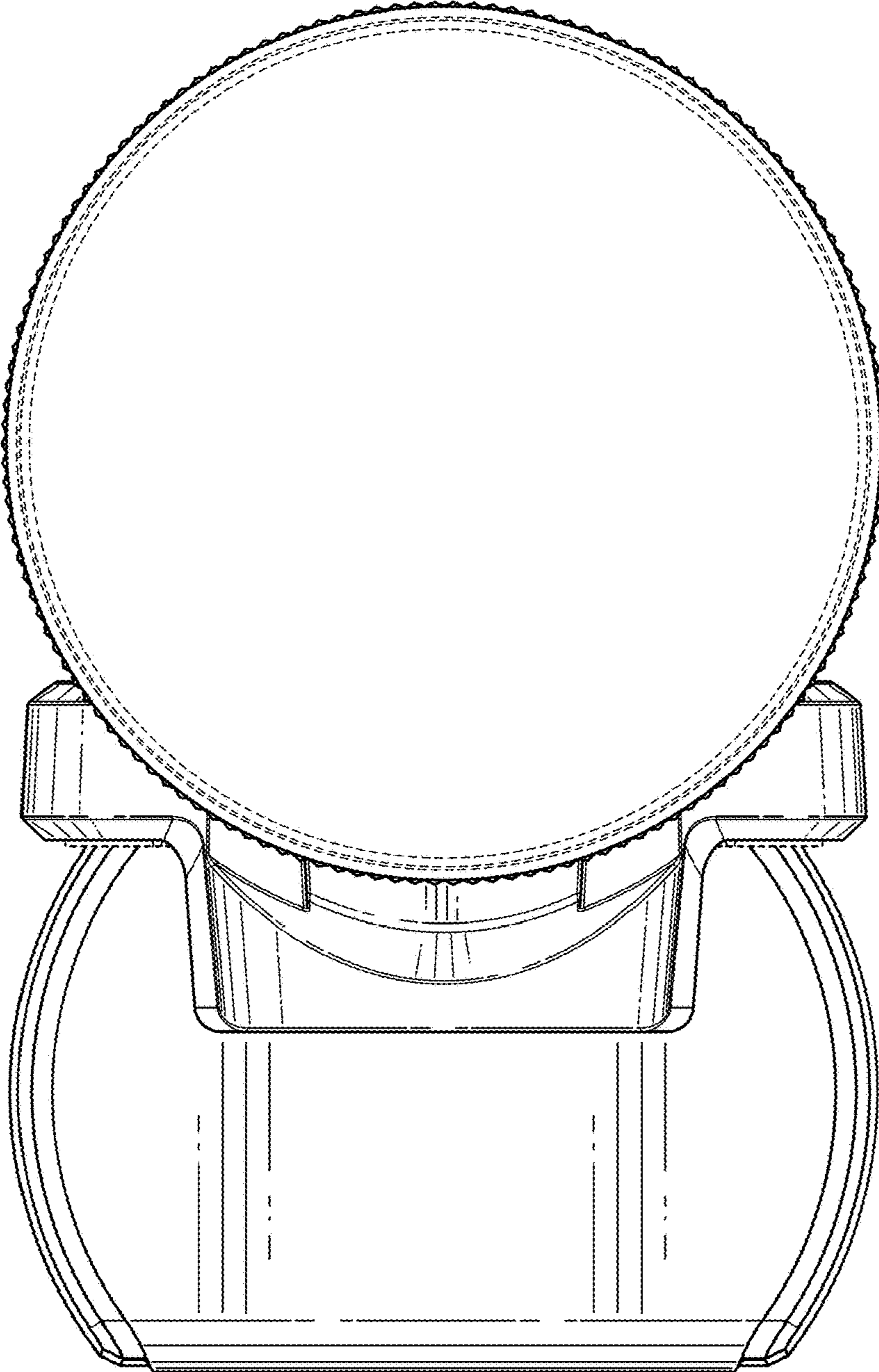


FIG. 2

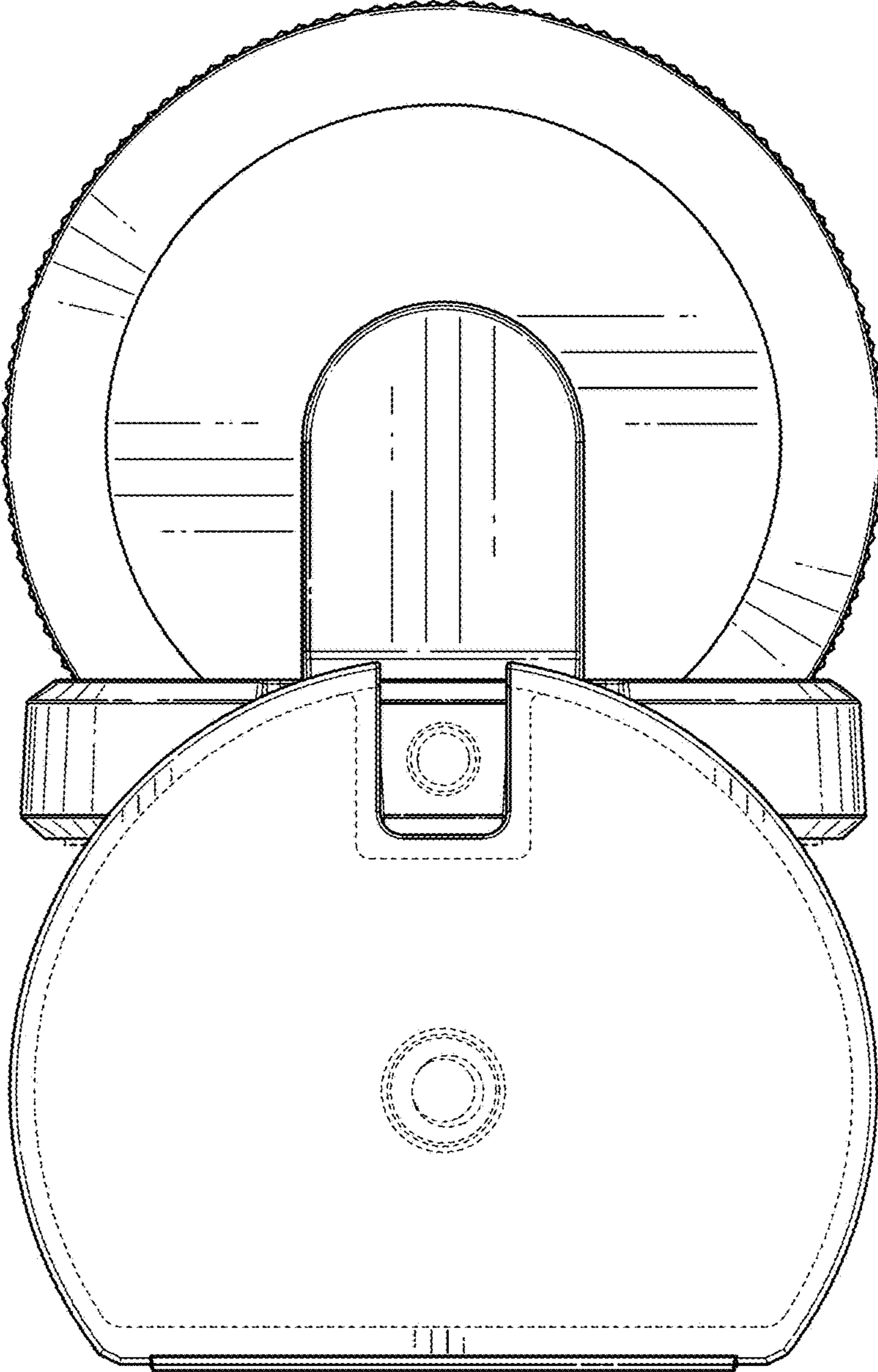


FIG. 3

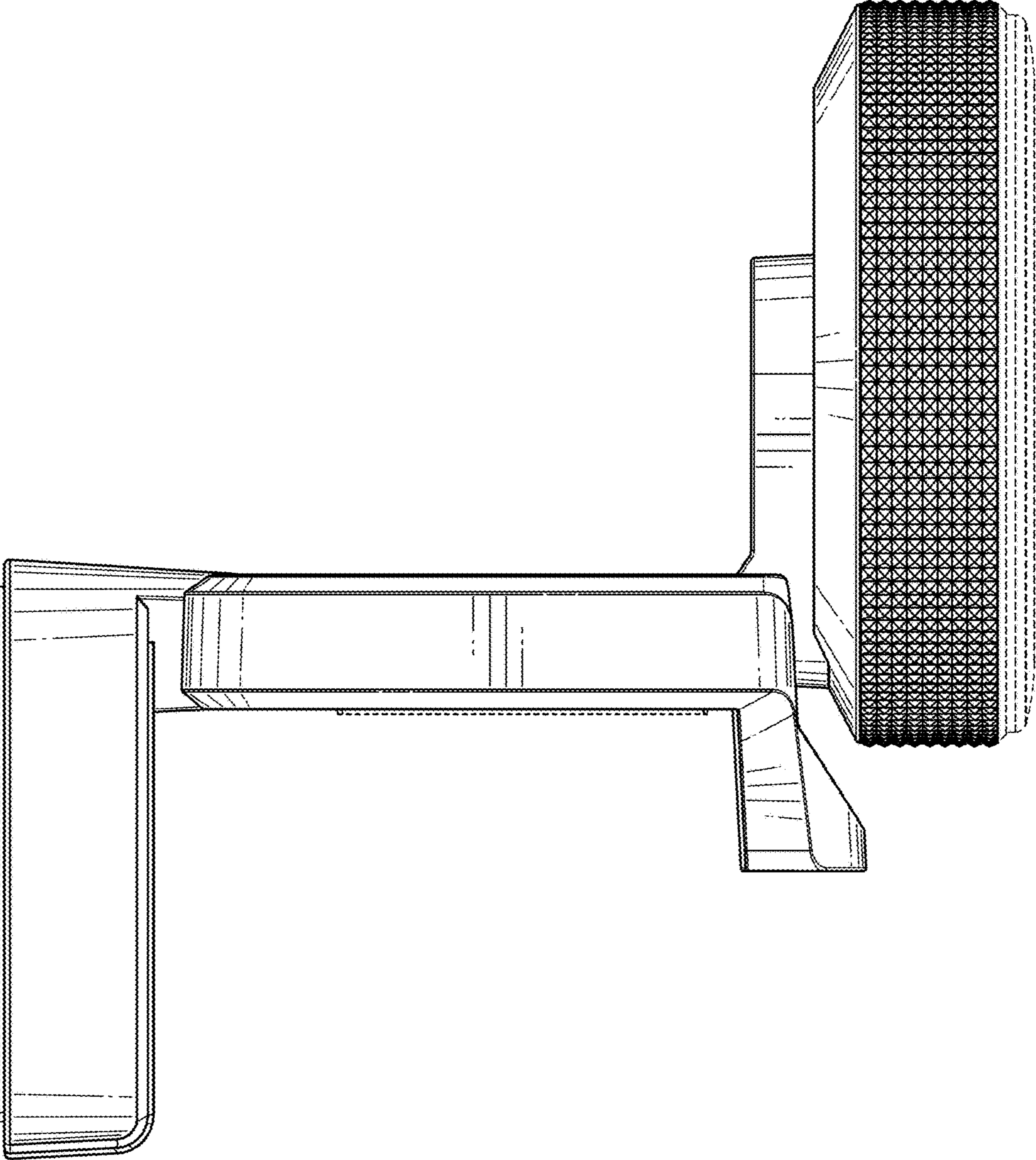


FIG. 4

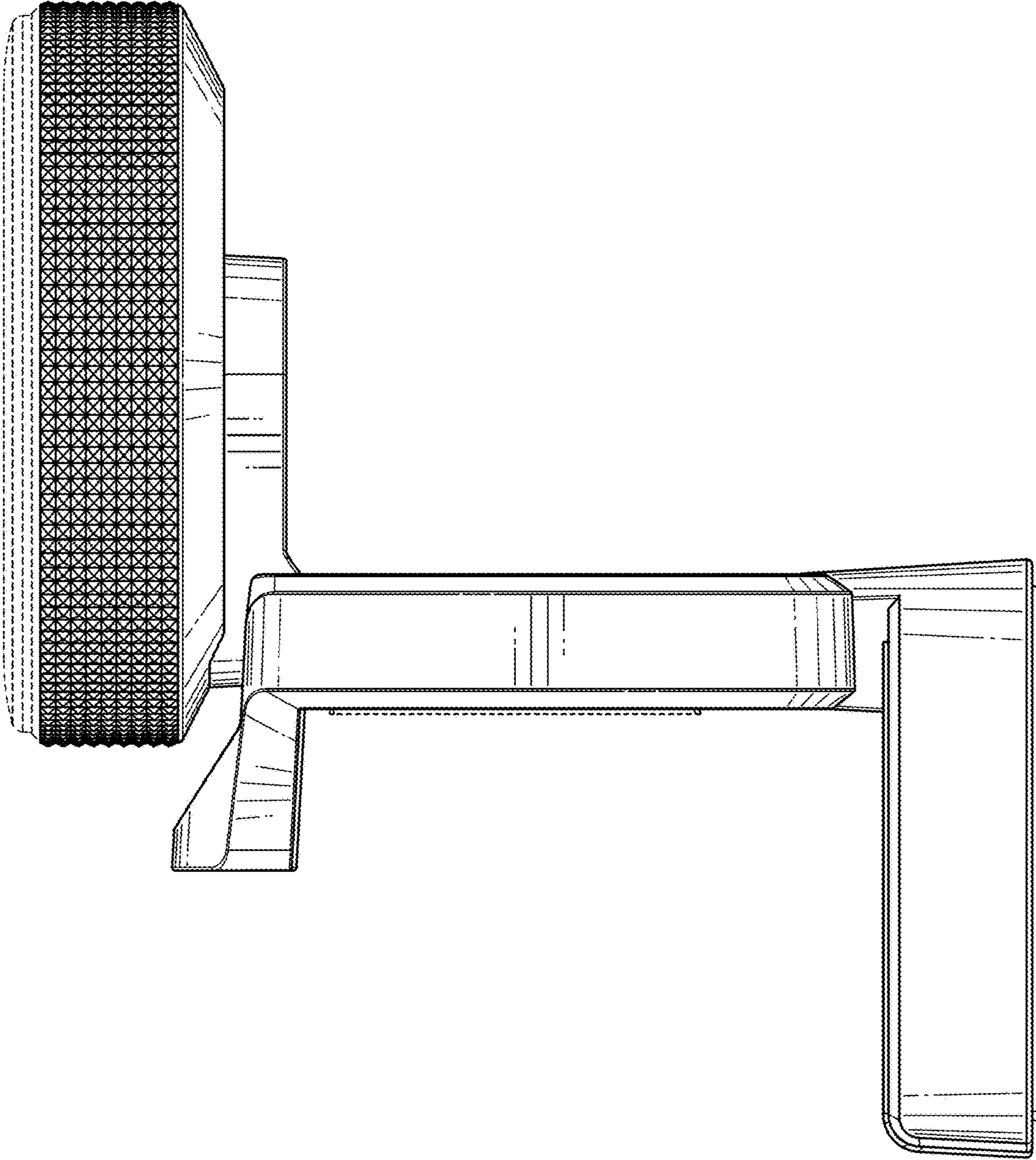


FIG. 5

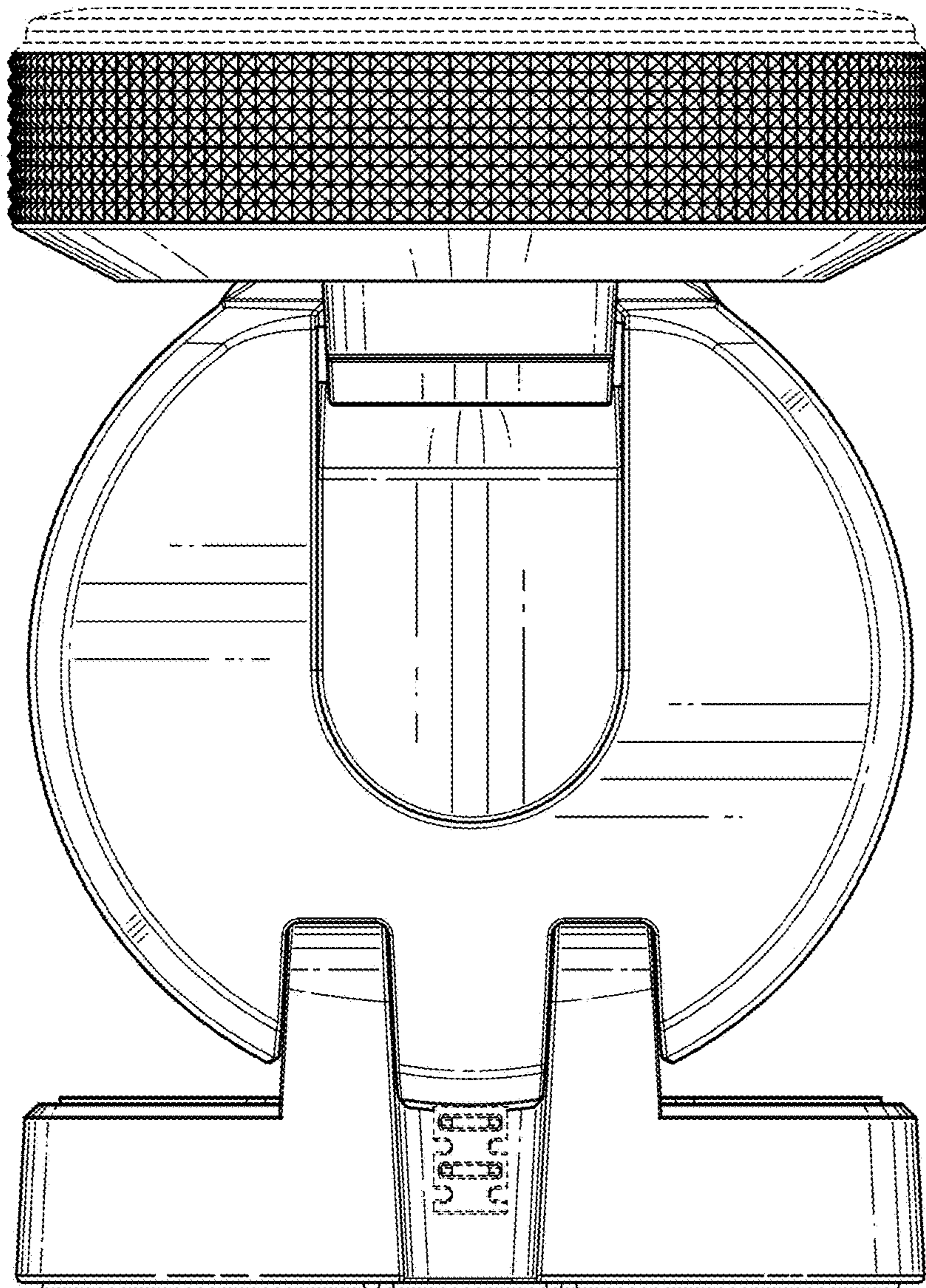


FIG. 6

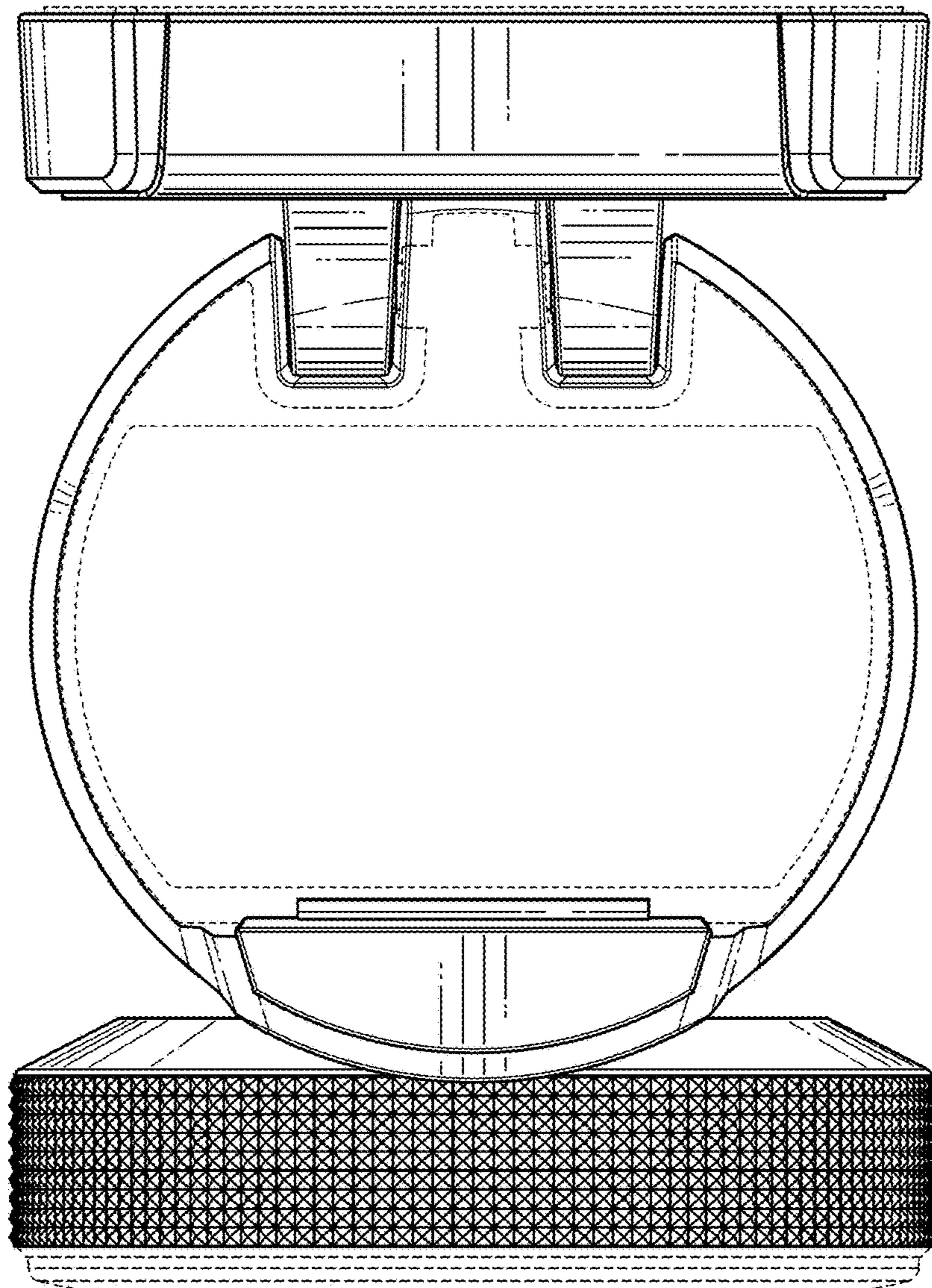


FIG. 7

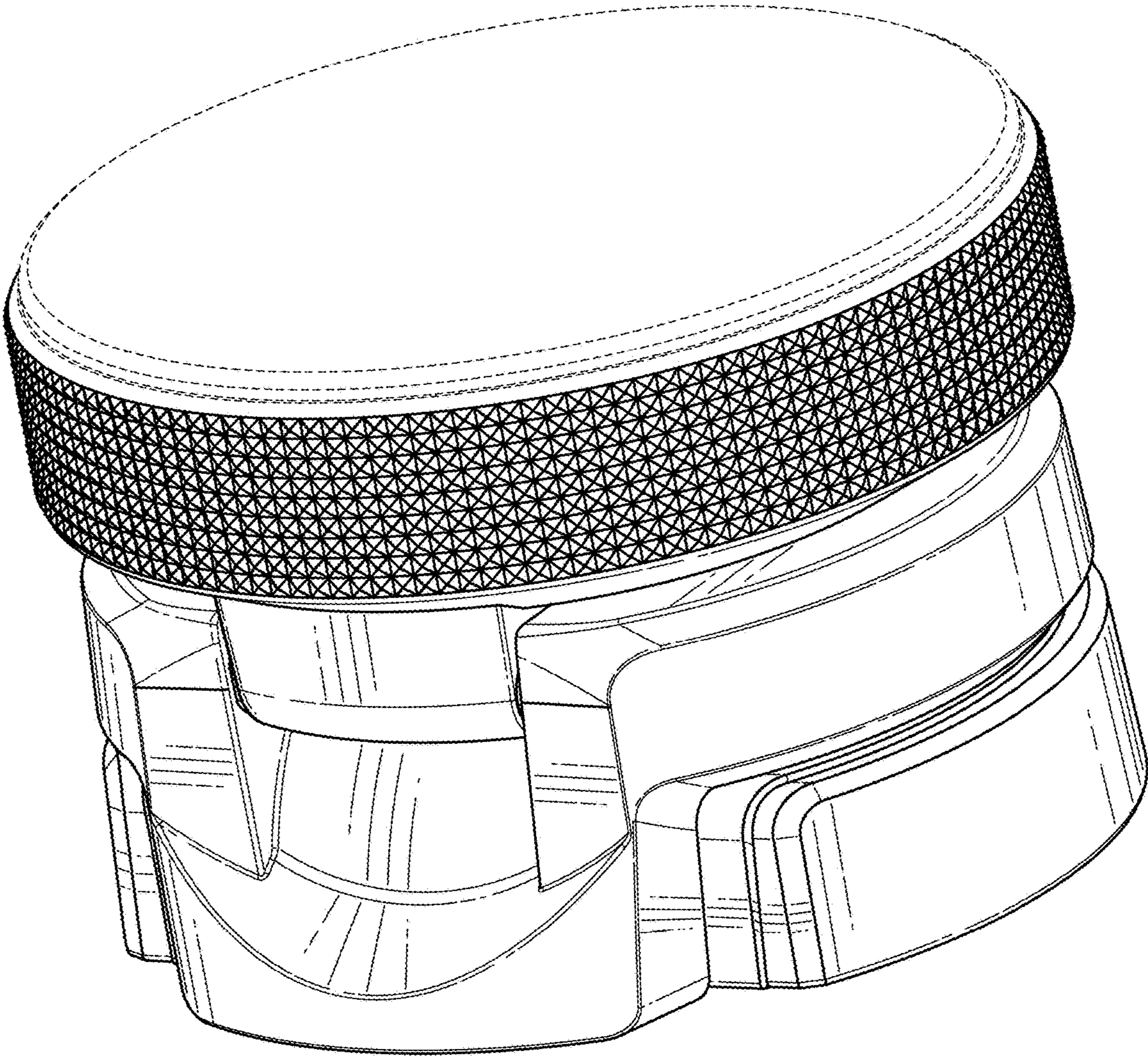


FIG. 8

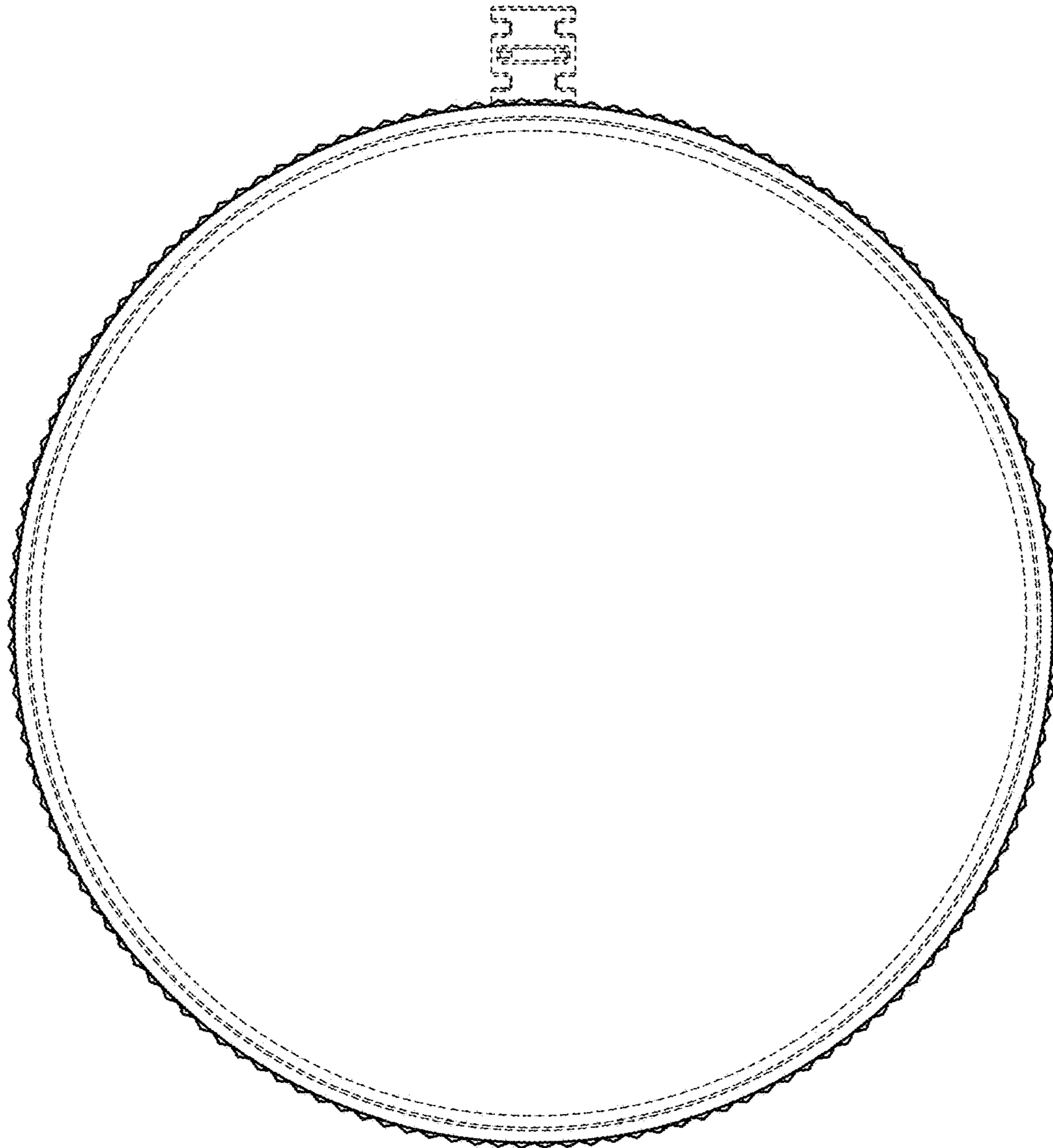


FIG. 9

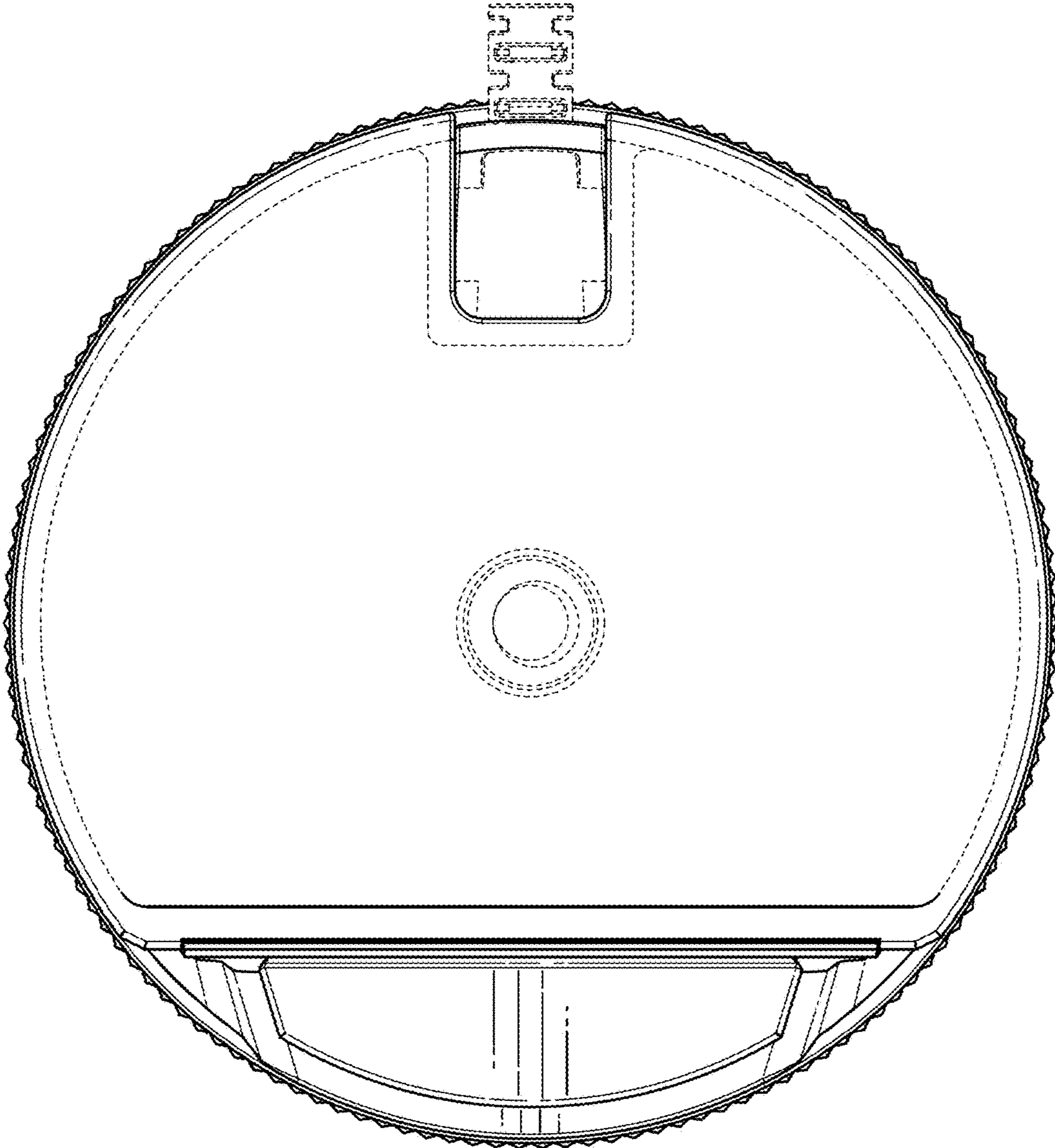


FIG. 10

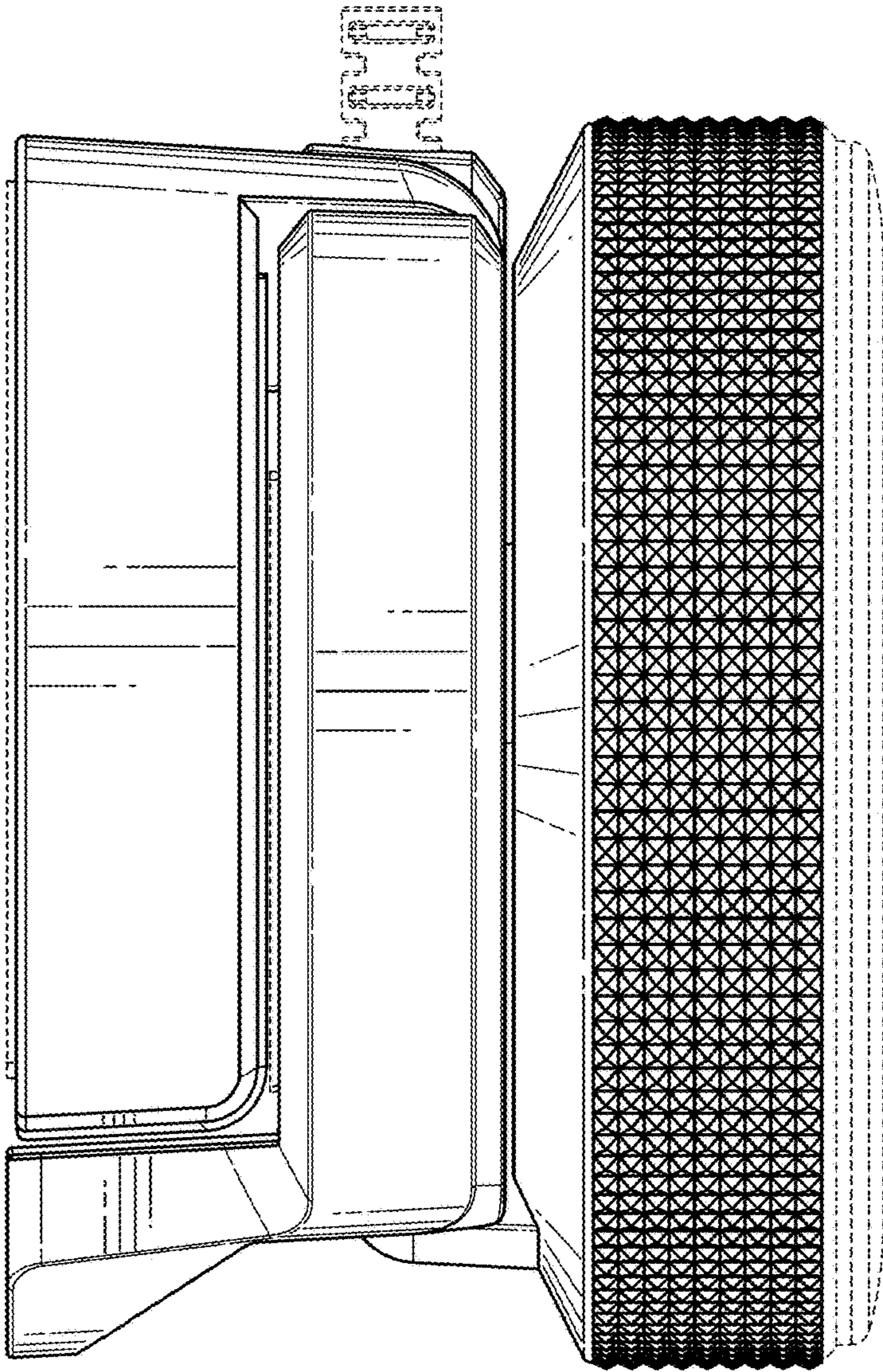


FIG. 11

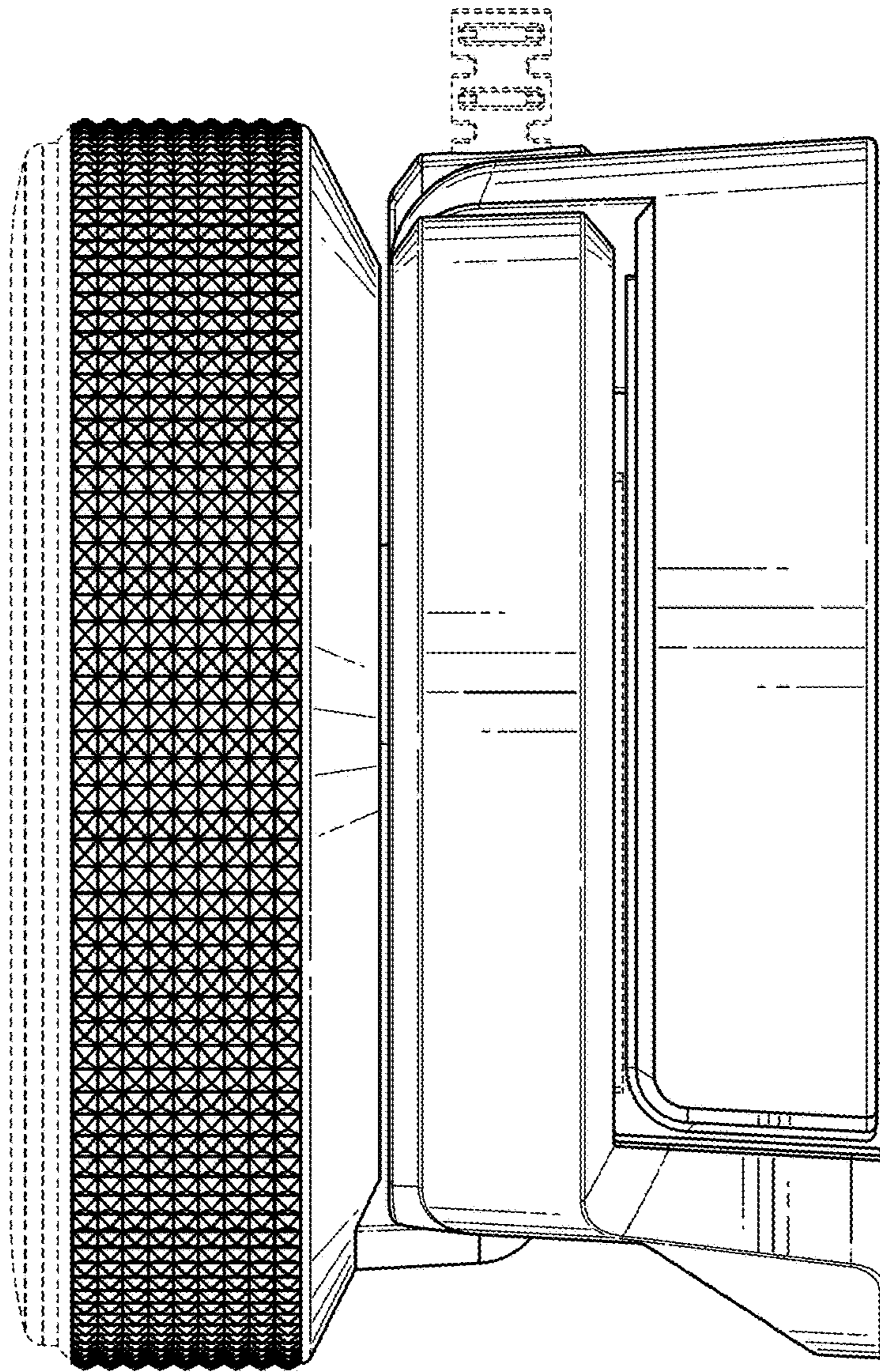


FIG. 12

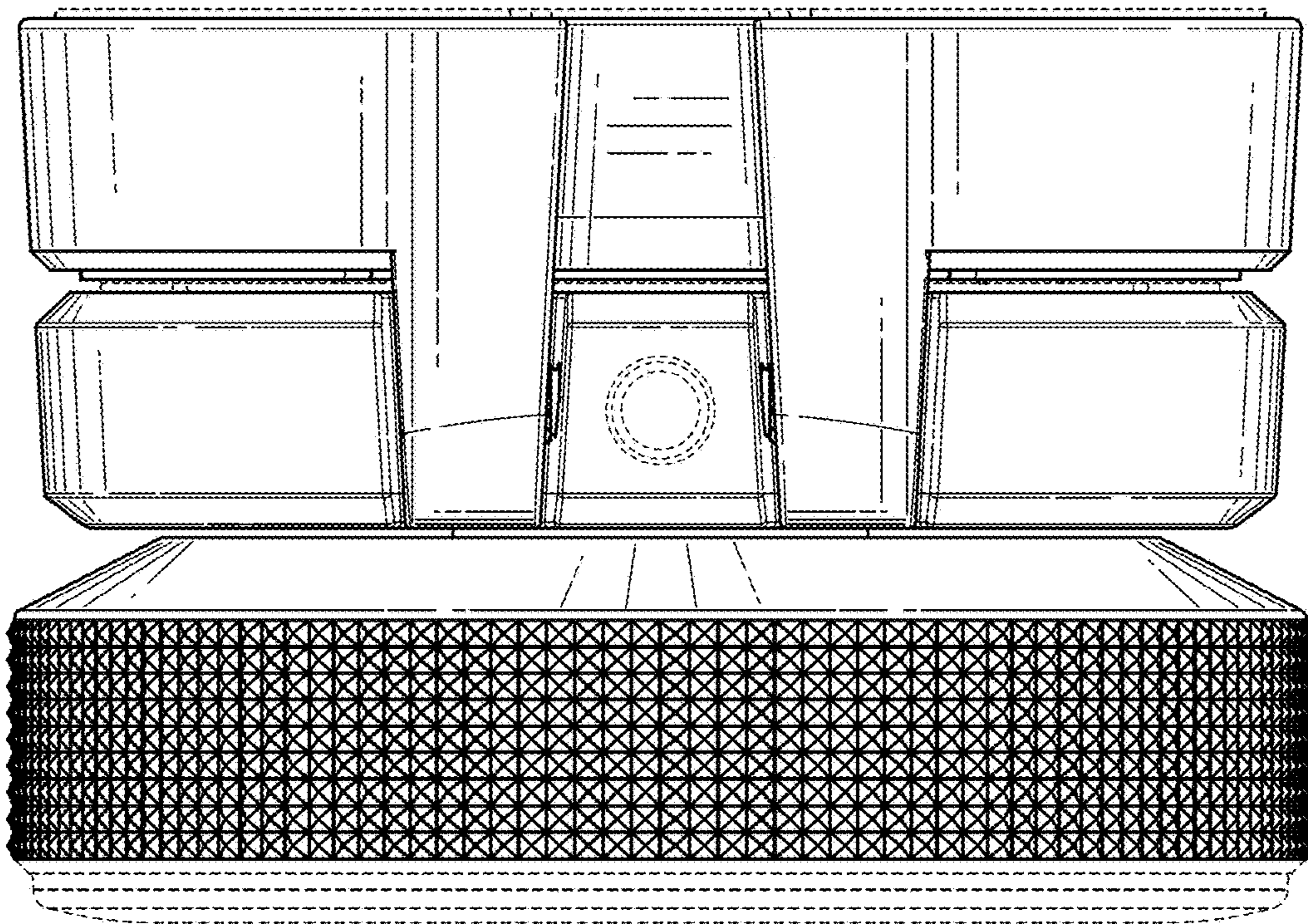


FIG. 13

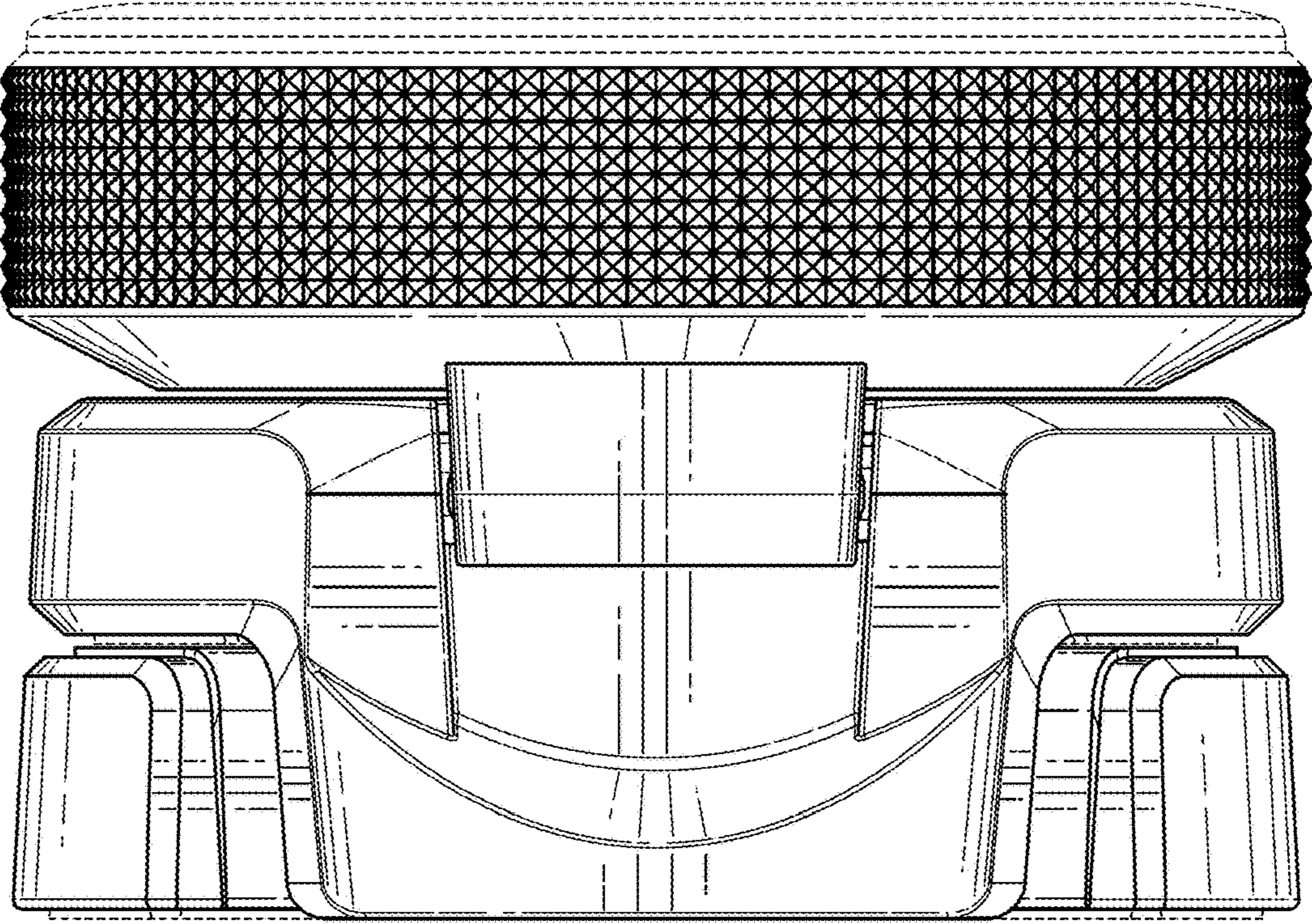


FIG. 14