



US00D849108S

(12) **United States Design Patent** (10) **Patent No.:** **US D849,108 S**  
**Huang** (45) **Date of Patent:** **\*\* May 21, 2019**

(54) **CAMERA DEVICE**  
(71) Applicant: **VIA TECHNOLOGIES, INC.**, New Taipei (TW)  
(72) Inventor: **Chih-Wei Huang**, New Taipei (TW)  
(73) Assignee: **VIA TECHNOLOGIES, INC.**, New Taipei (TW)  
(\*\*) Term: **15 Years**

6,718,129 B1 \* 4/2004 Cornell ..... G03B 17/02  
396/176  
D496,674 S \* 9/2004 Hayashi ..... D16/202  
D531,199 S \* 10/2006 Matsuda ..... D16/202  
D594,047 S \* 6/2009 Lee ..... D16/202  
D692,042 S \* 10/2013 Dawes ..... D16/203  
D755,271 S \* 5/2016 Patulski ..... D16/202  
D755,274 S \* 5/2016 Lee ..... D16/218  
D764,559 S \* 8/2016 Luo ..... D16/202  
D791,211 S \* 7/2017 Fujita ..... D16/219  
2014/0160349 A1 \* 6/2014 Huang ..... H04N 5/2251  
348/375

(21) Appl. No.: **29/617,360**  
(22) Filed: **Sep. 13, 2017**

**FOREIGN PATENT DOCUMENTS**

TW D 182150 A 4/2017  
TW D 182150 S 4/2017

(30) **Foreign Application Priority Data**

\* cited by examiner

Jul. 18, 2017 (CN) ..... 2017 3 0316679

*Primary Examiner* — Ramzi S Almatrahi  
(74) *Attorney, Agent, or Firm* — McClure, Qualey & Rodack, LLP

(51) **LOC (11) Cl.** ..... **16-01**  
(52) **U.S. Cl.**  
USPC ..... **D16/218**

(57) **CLAIM**

(58) **Field of Classification Search**  
USPC ..... D16/200, 202–207, 208–210, 212, 218,  
D16/219; 348/373–376; 396/448, 535,  
396/539–541  
CPC ..... G03B 15/03; G03B 17/02; G03B 17/04;  
G03B 17/56; G03B 19/04; H04N 5/2251;  
H04N 5/2252; H04N 5/2253; H04N  
5/2254; H04N 2101/00  
See application file for complete search history.

The ornamental design for a camera device, as shown and described.

**DESCRIPTION**

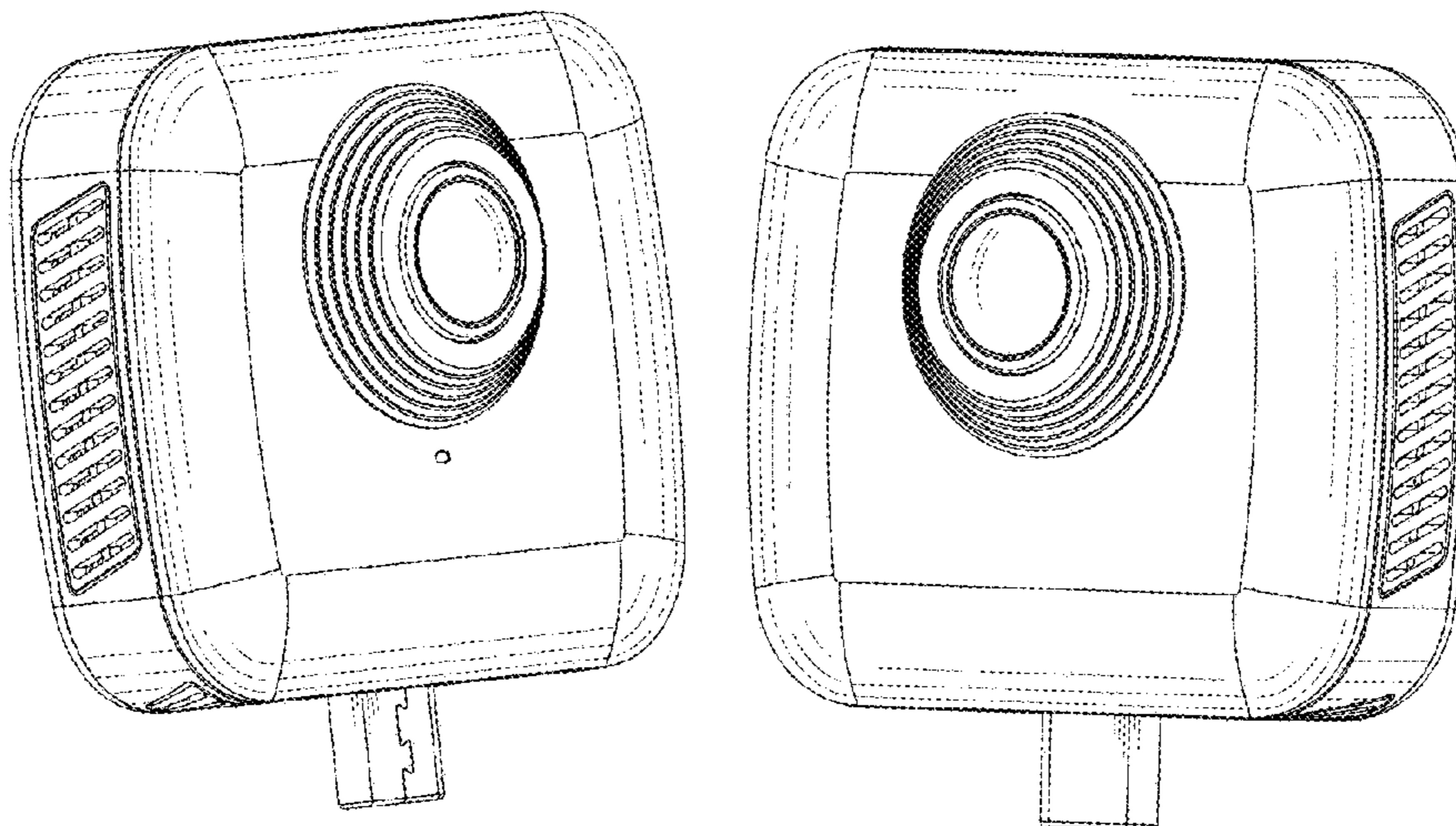
(56) **References Cited**

FIG. 1 is a front perspective view of a camera device in accordance with our new design;  
FIG. 2 is a front view thereof;  
FIG. 3 is a rear thereof;  
FIG. 4 is a left side view thereof;  
FIG. 5 is a right side view thereof;  
FIG. 6 is a top plan view thereof;  
FIG. 7 is a bottom plan view thereof; and,  
FIG. 8 is a rear perspective view thereof.

**U.S. PATENT DOCUMENTS**

D455,768 S \* 4/2002 Tsang ..... D16/202  
D465,504 S \* 11/2002 Van Klinken ..... D16/203  
D480,741 S \* 10/2003 Berger ..... D16/202

**1 Claim, 5 Drawing Sheets**



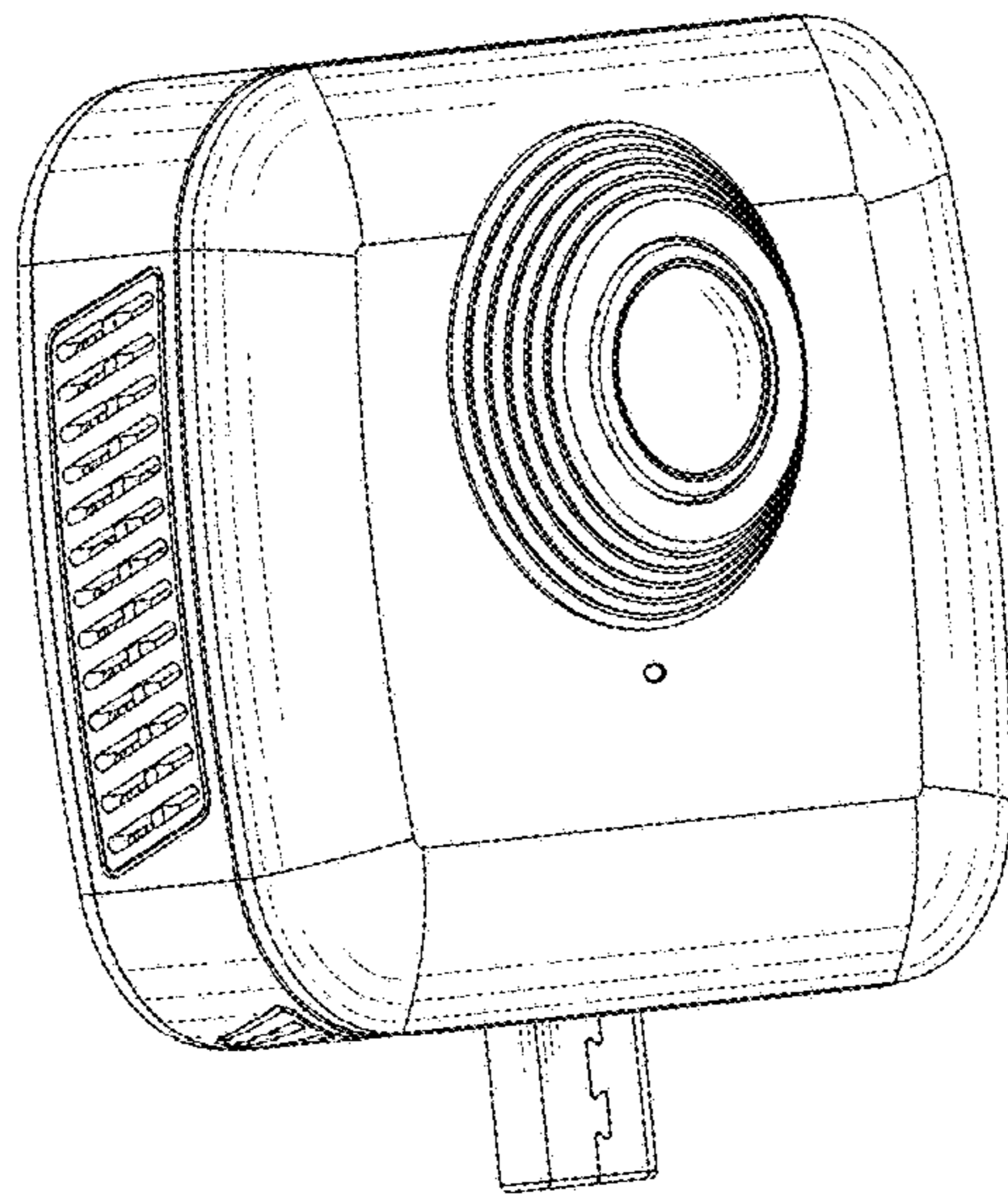


FIG. 1

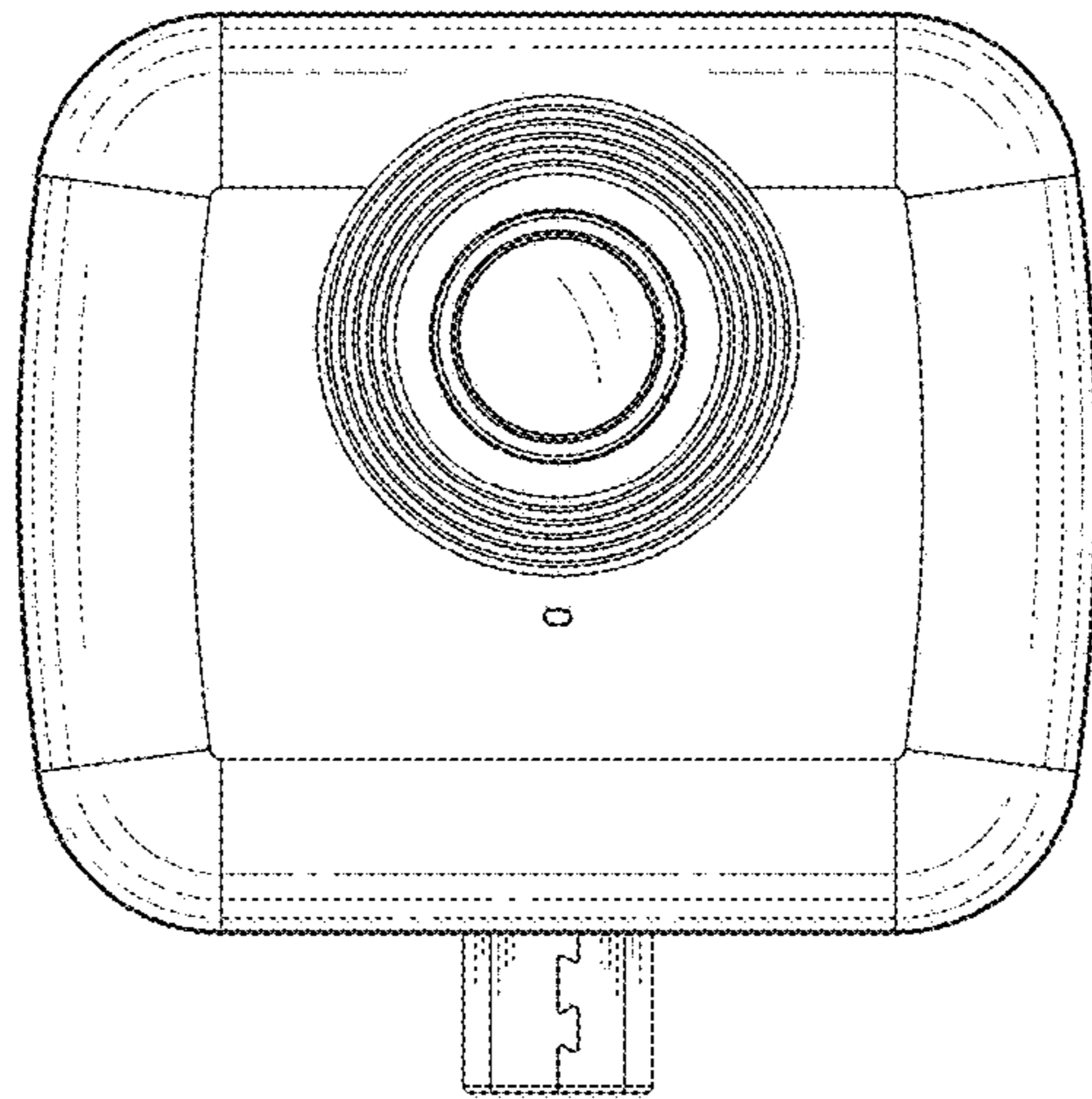


FIG. 2

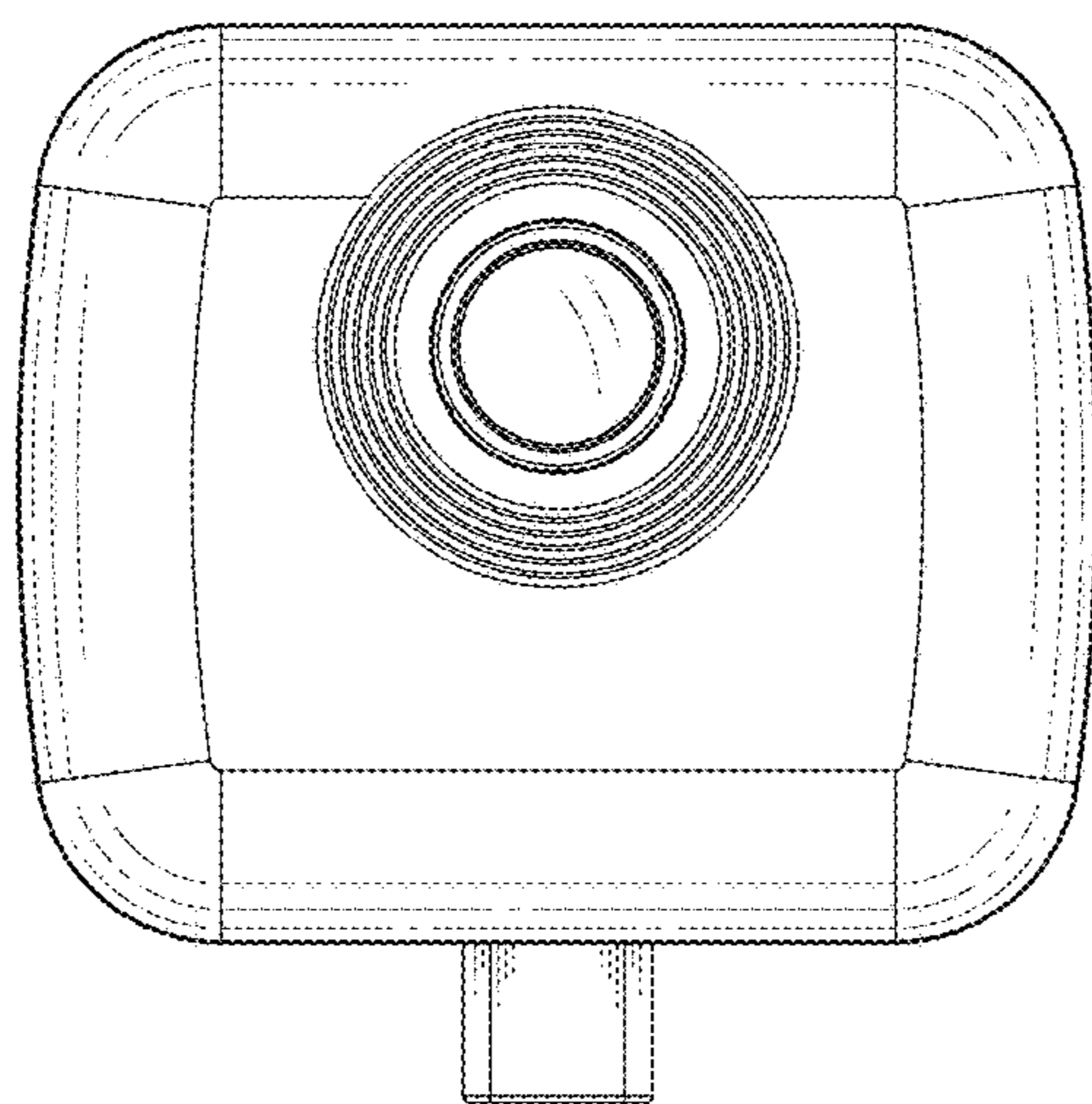


FIG. 3

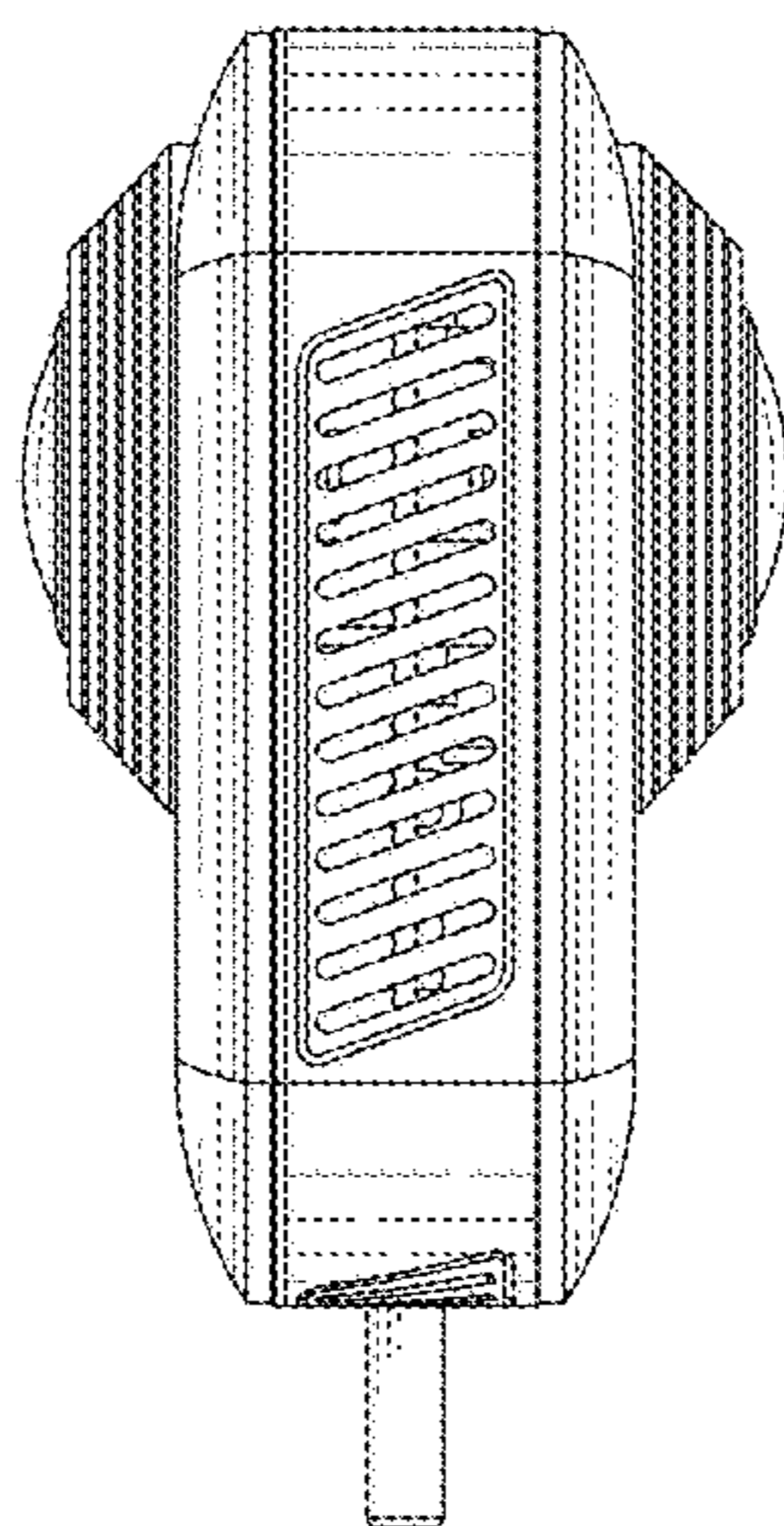


FIG. 4

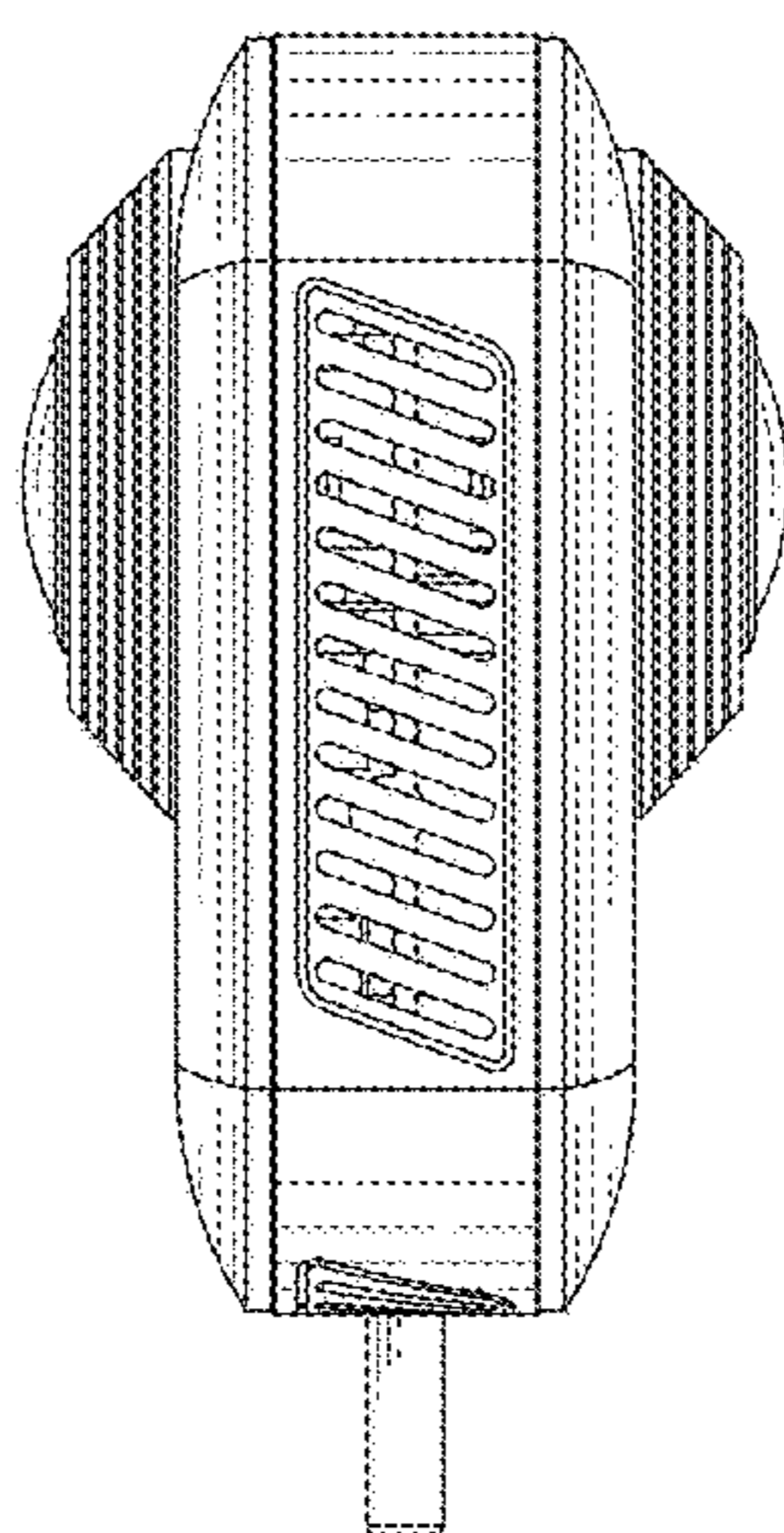


FIG. 5



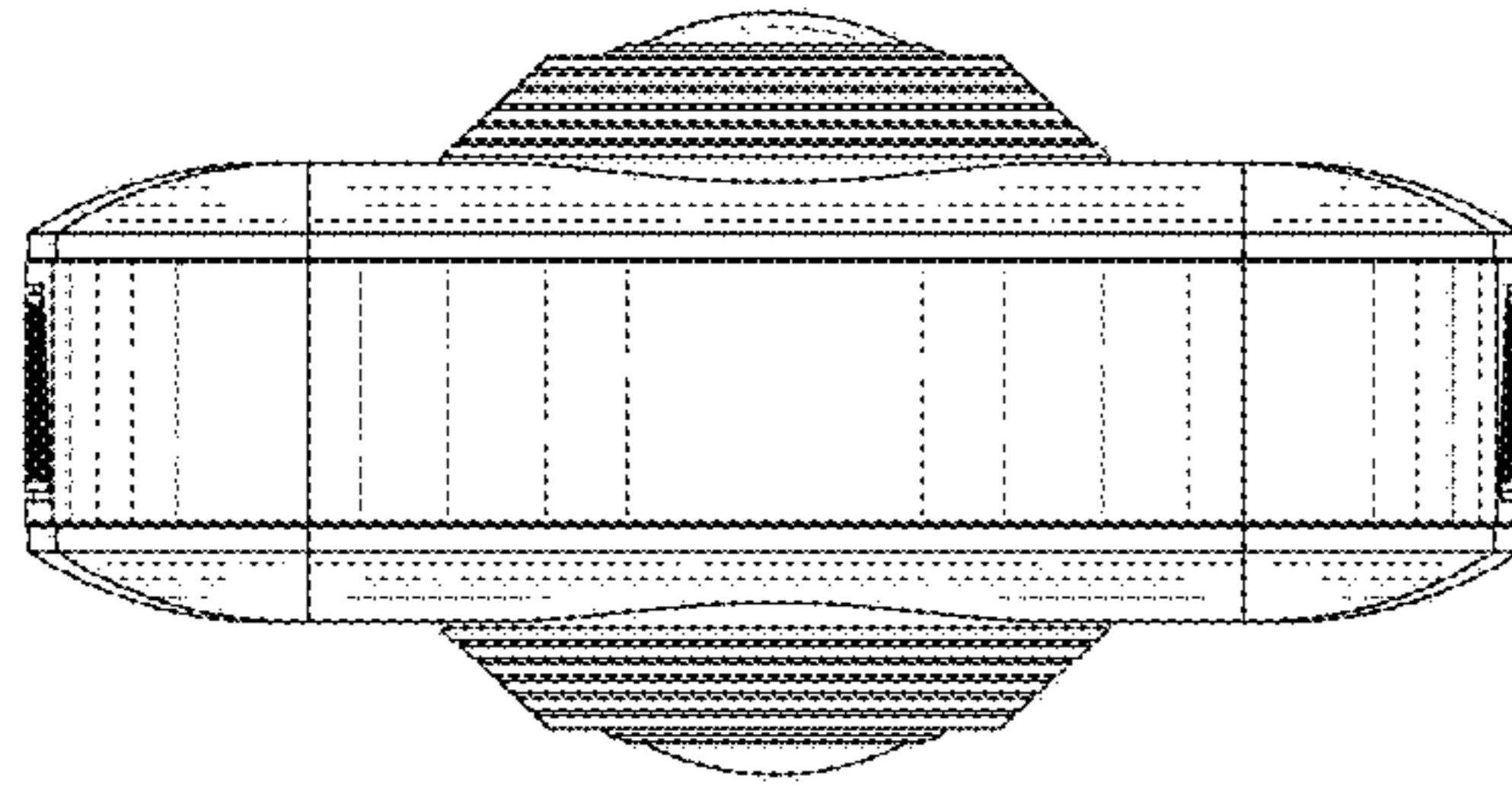


FIG. 6

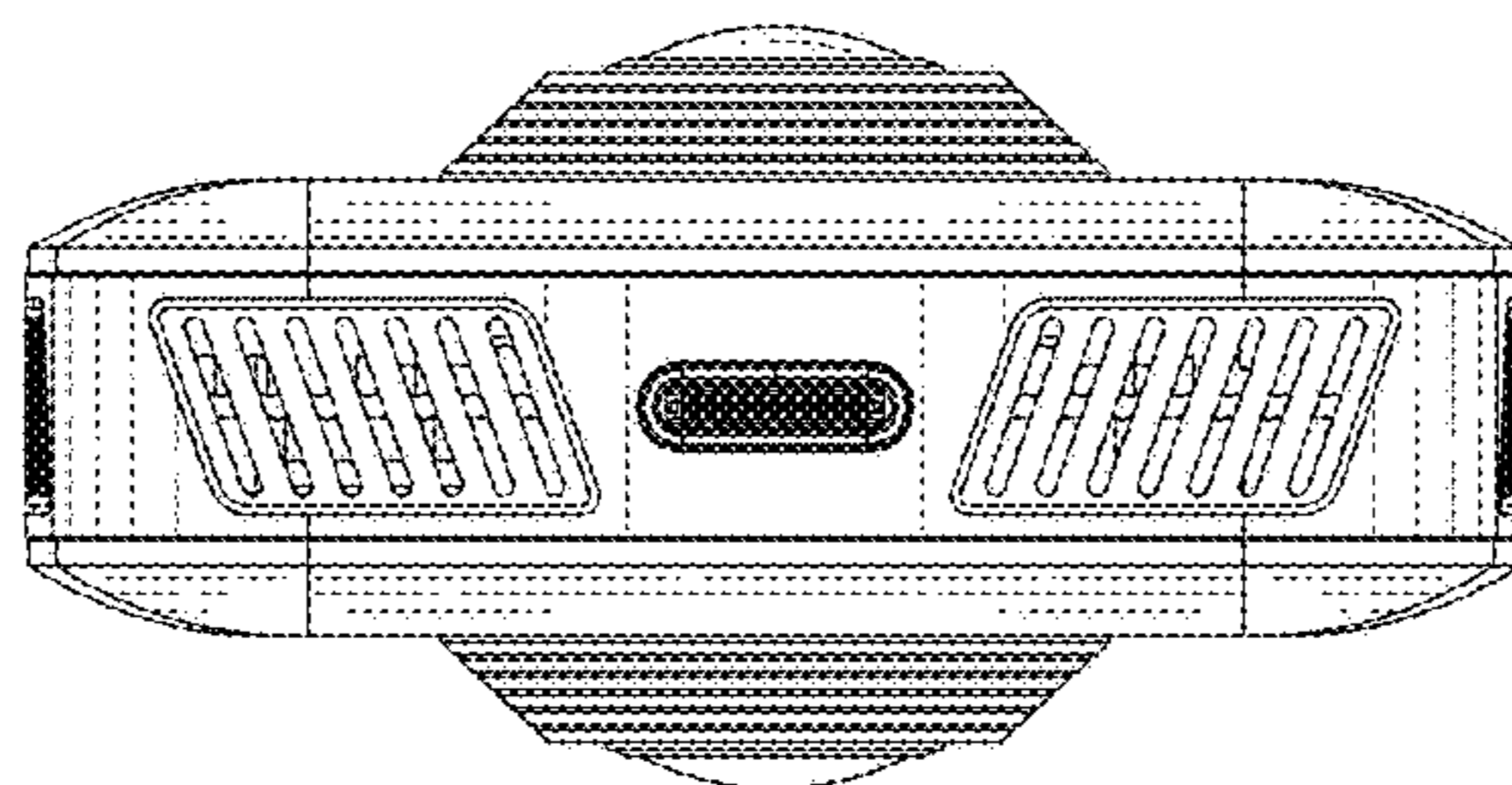


FIG. 7

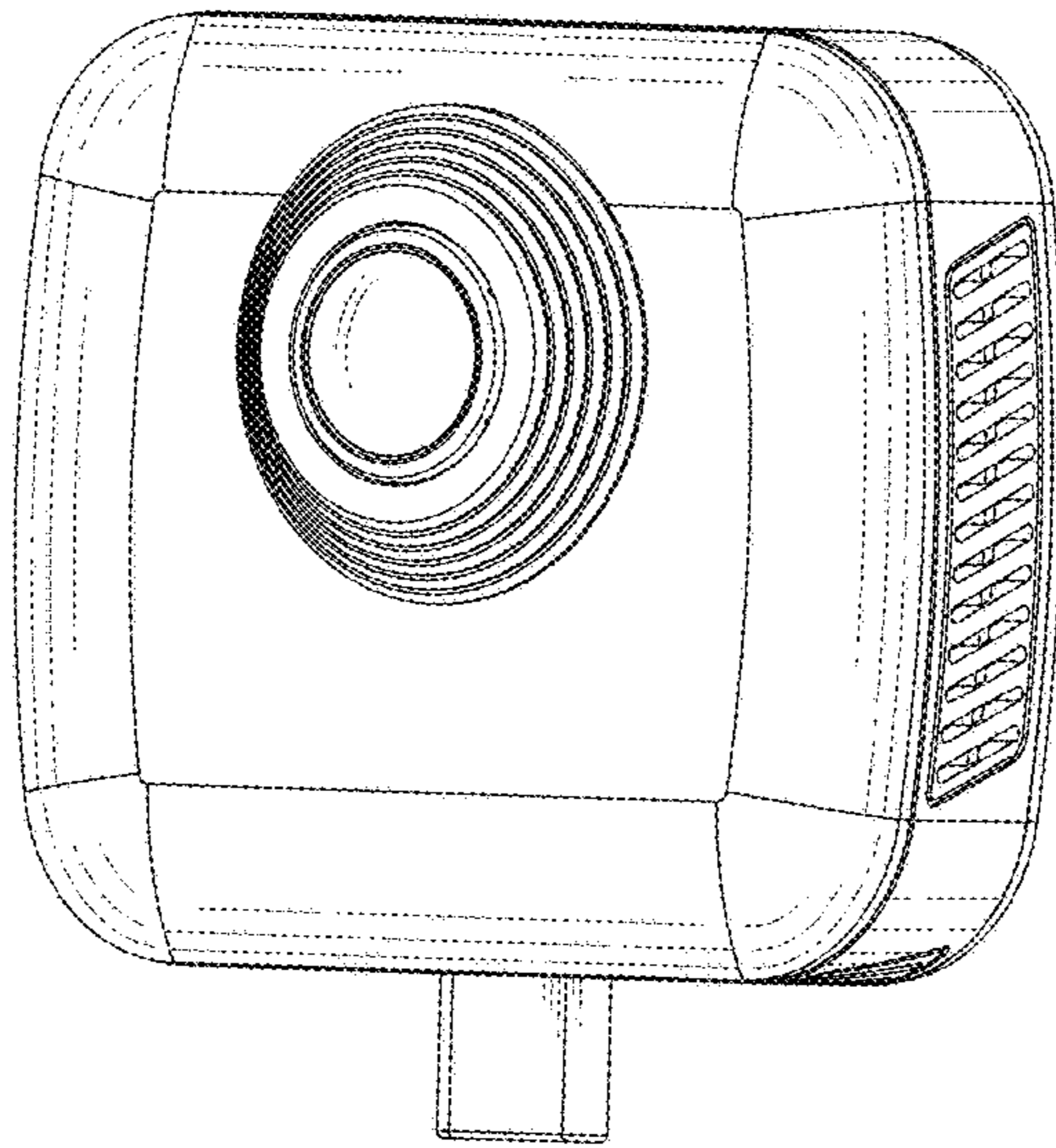


FIG. 8