



US00D849107S

(12) **United States Design Patent**  
**Huang**

(10) **Patent No.:** **US D849,107 S**

(45) **Date of Patent:** **\*\* May 21, 2019**

(54) **CAMERA DEVICE**

(71) Applicant: **VIA TECHNOLOGIES, INC.**, New Taipei (TW)

(72) Inventor: **Chih-Wei Huang**, New Taipei (TW)

(73) Assignee: **VIA TECHNOLOGIES, INC.**, New Taipei (TW)

(\*\*) Term: **15 Years**

(21) Appl. No.: **29/617,354**

(22) Filed: **Sep. 13, 2017**

(30) **Foreign Application Priority Data**

Jul. 18, 2017 (CN) ..... 2017 3 0316618

(51) **LOC (11) Cl.** ..... **16-01**

(52) **U.S. Cl.**  
USPC ..... **D16/218; D16/202**

(58) **Field of Classification Search**  
USPC ..... D16/134, 136, 200, 202–206, 208, 218,  
D16/219, 237, 242; D14/203.3, 203.4,  
D14/250, 345, 440, 449; 348/373–376;  
396/535, 539–541

CPC ..... G03B 15/03; G03B 17/02; G03B 17/04;  
G03B 17/56; G03B 19/04; H04N 5/2251;  
H04N 5/2252; H04N 5/2253; H04N  
5/2254; H04N 2101/00

See application file for complete search history.

(56) **References Cited**

**U.S. PATENT DOCUMENTS**

D349,907 S \* 8/1994 Allmendinger ..... D16/202  
D389,500 S \* 1/1998 Krekelberg ..... D16/202

D394,868 S \* 6/1998 Lee ..... D16/202  
D398,018 S \* 9/1998 Lee ..... D16/202  
D486,509 S \* 2/2004 Suzuki ..... D16/202  
D544,513 S \* 6/2007 Hayashi ..... D16/202  
D659,732 S \* 5/2012 Kim ..... D16/202  
D708,247 S \* 7/2014 Ookawa ..... D16/203  
D732,594 S \* 6/2015 Kawa ..... D16/202  
D747,383 S \* 1/2016 Li ..... D16/203  
9,454,066 B2 \* 9/2016 O’Neill ..... G03B 17/565  
D824,988 S \* 8/2018 Boling ..... D16/218  
2005/0012853 A1 \* 1/2005 Wang ..... H04N 1/00204  
348/376

**FOREIGN PATENT DOCUMENTS**

CN 303979376 S 12/2016

\* cited by examiner

*Primary Examiner* — Ramzi S Almatrahi

(74) *Attorney, Agent, or Firm* — McClure, Qualey & Rodack, LLP

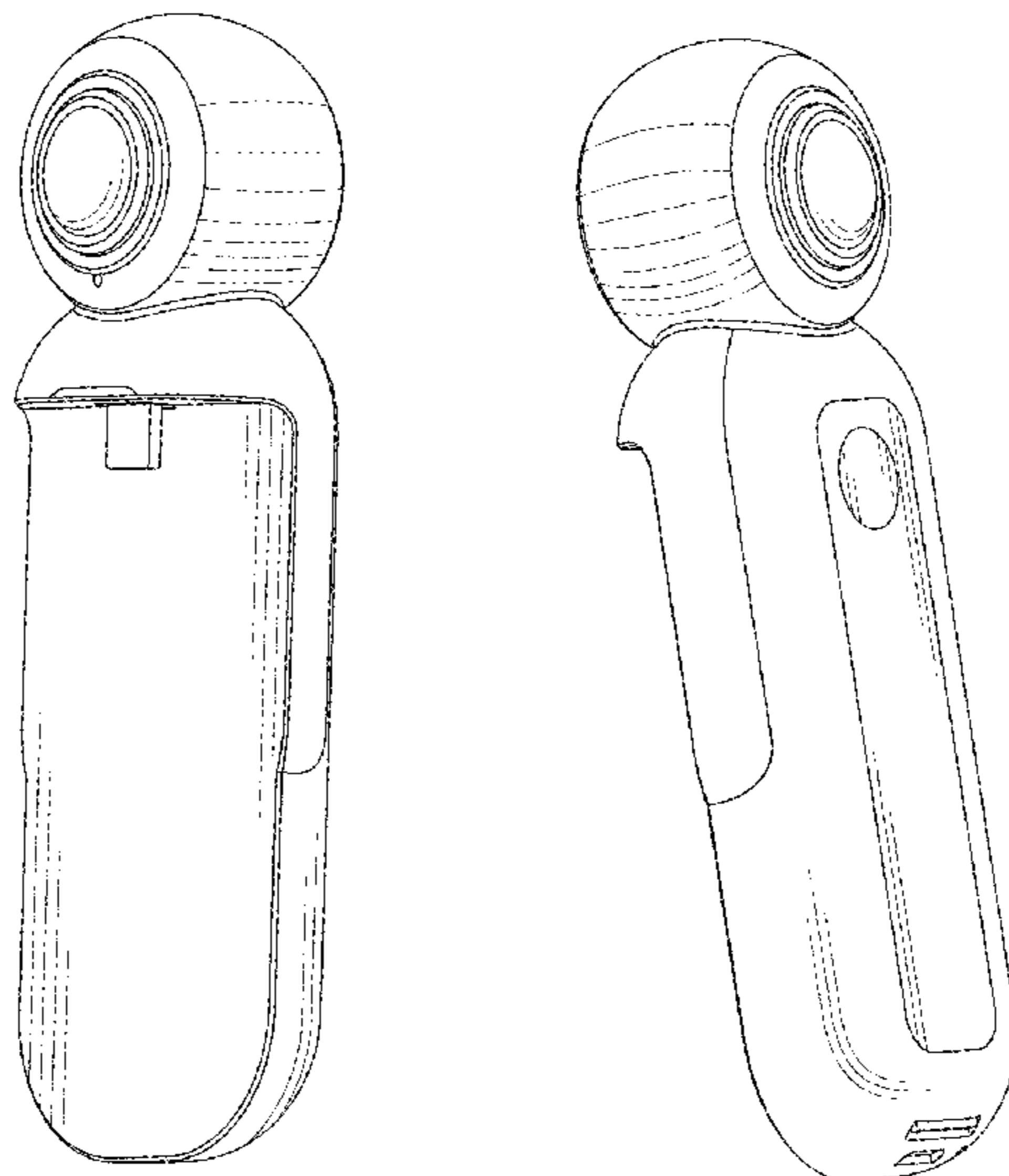
(57) **CLAIM**

The ornamental design for a camera device, as shown and described.

**DESCRIPTION**

FIG. 1 is a front perspective view of a first embodiment of a camera device in accordance with our new design; FIG. 2 is a rear perspective view thereof; FIG. 3 is a front view thereof; FIG. 4 is a rear view thereof; FIG. 5 is a left side view thereof; FIG. 6 is a right side view thereof; FIG. 7 is a top plan view thereof; and, FIG. 8 is a bottom plan view thereof.

**1 Claim, 7 Drawing Sheets**



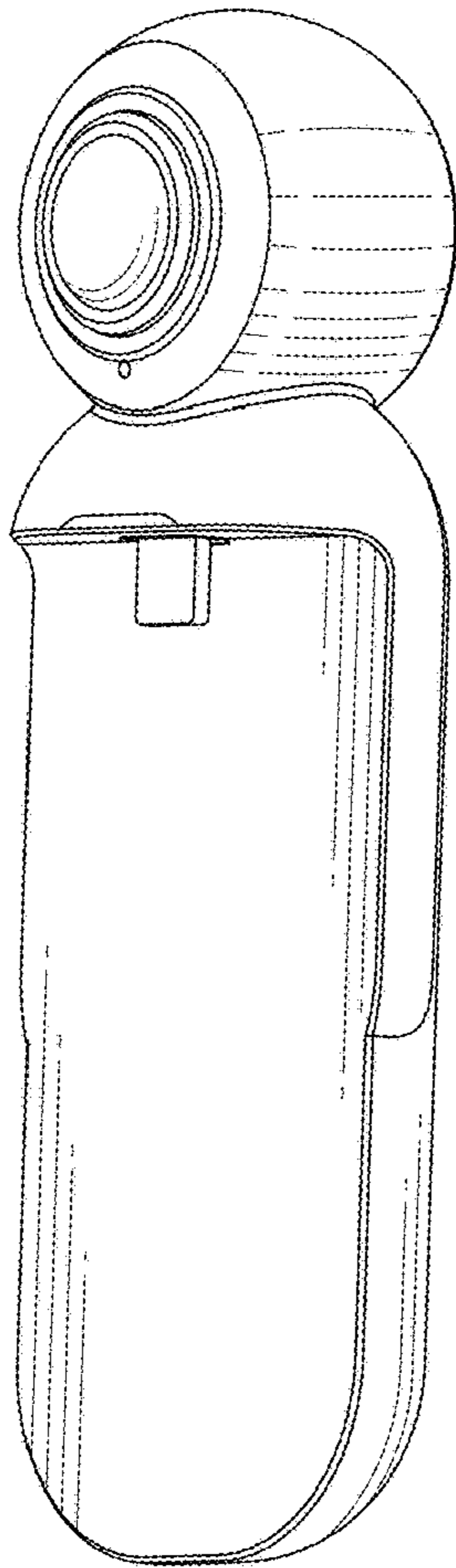


FIG. 1

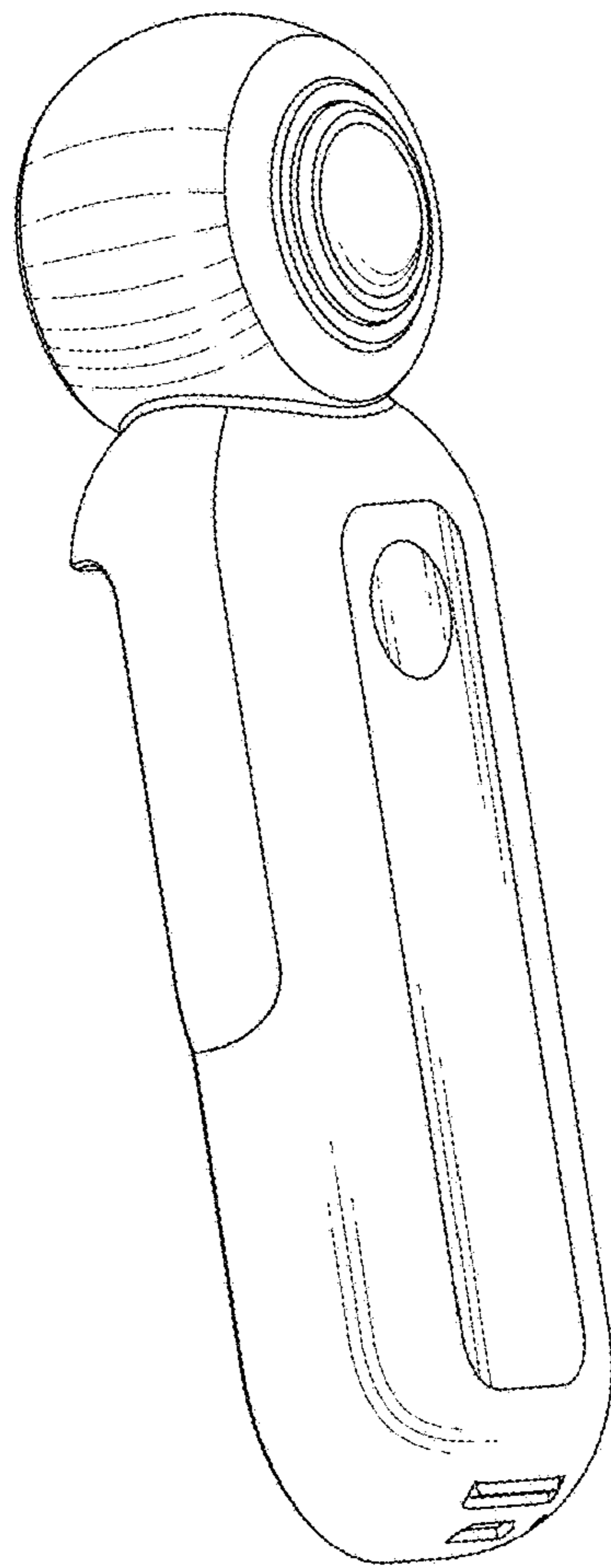


FIG. 2

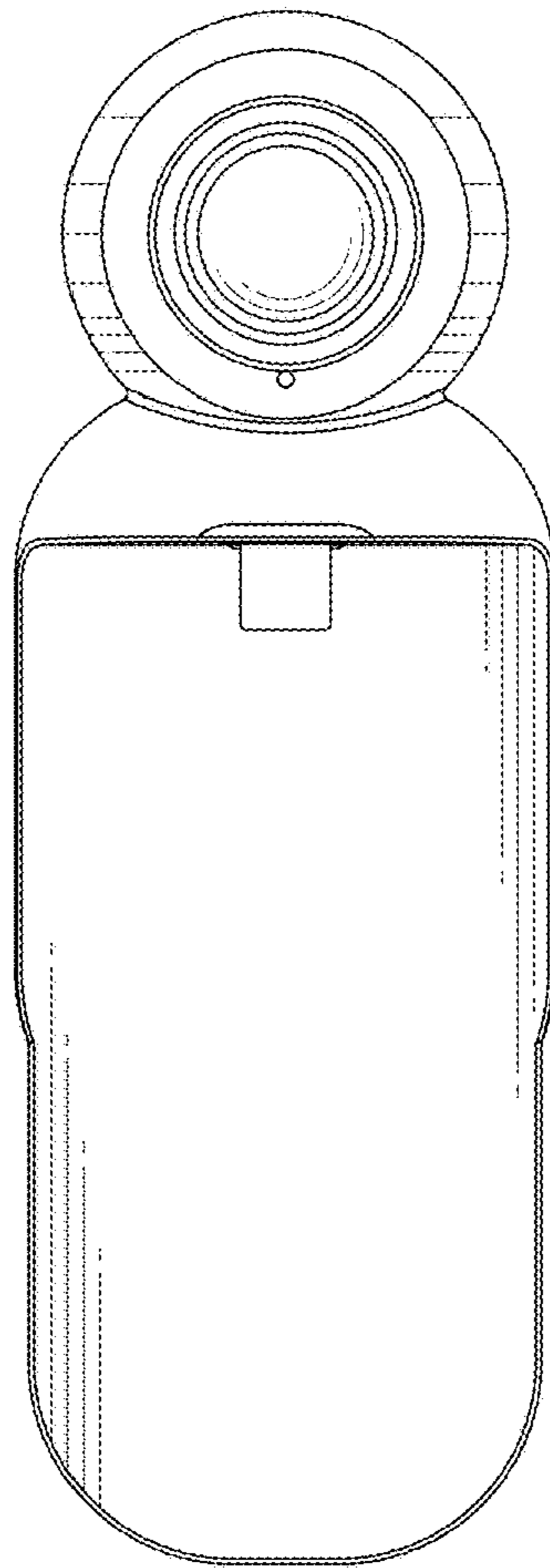


FIG. 3

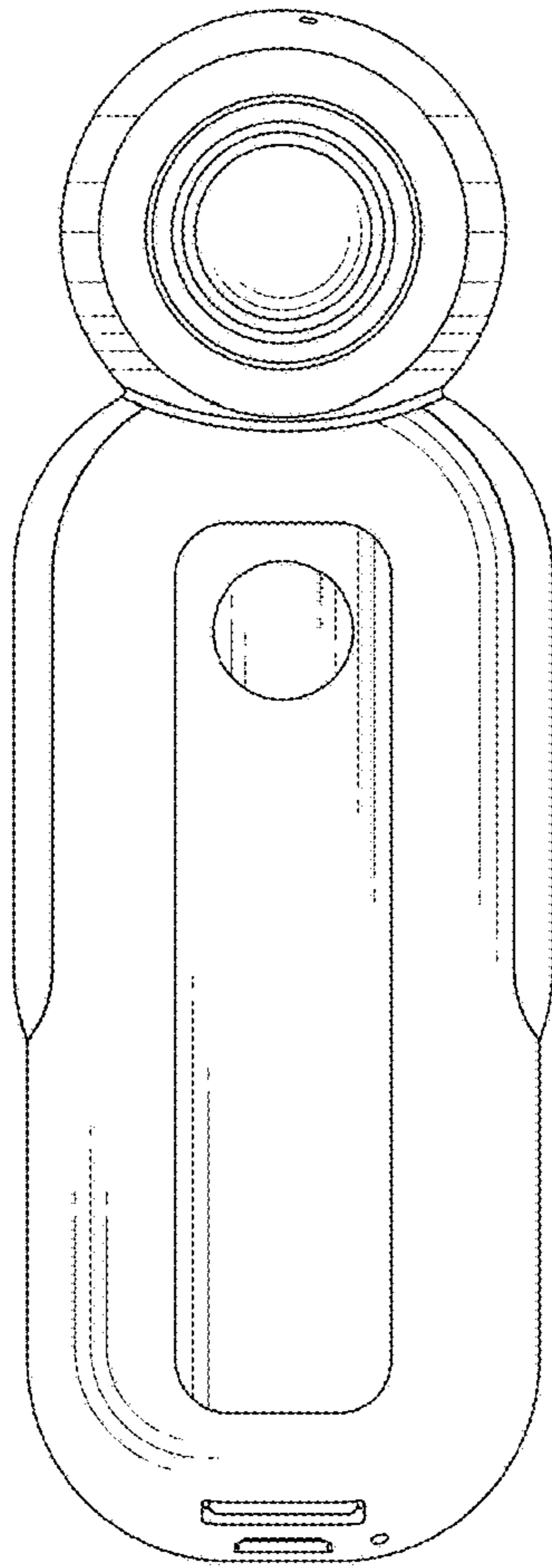


FIG. 4

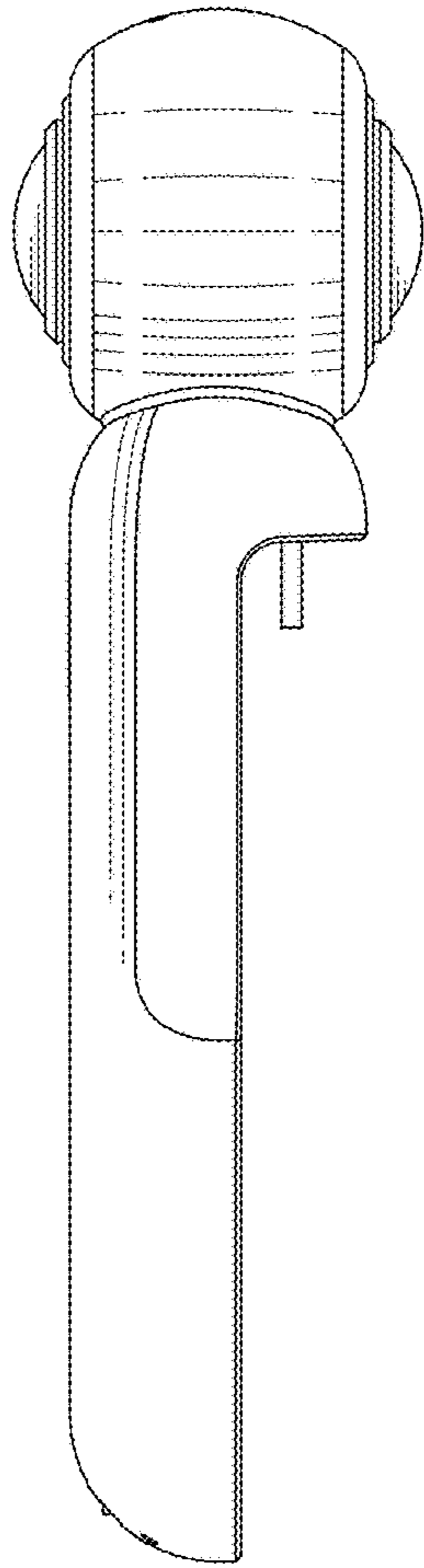


FIG. 5

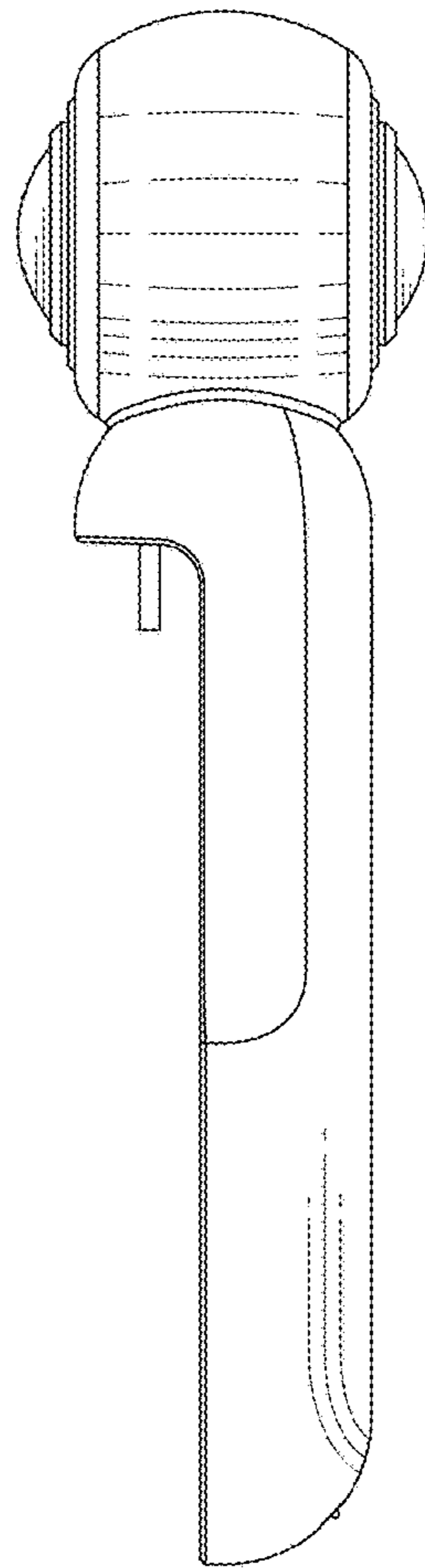


FIG. 6

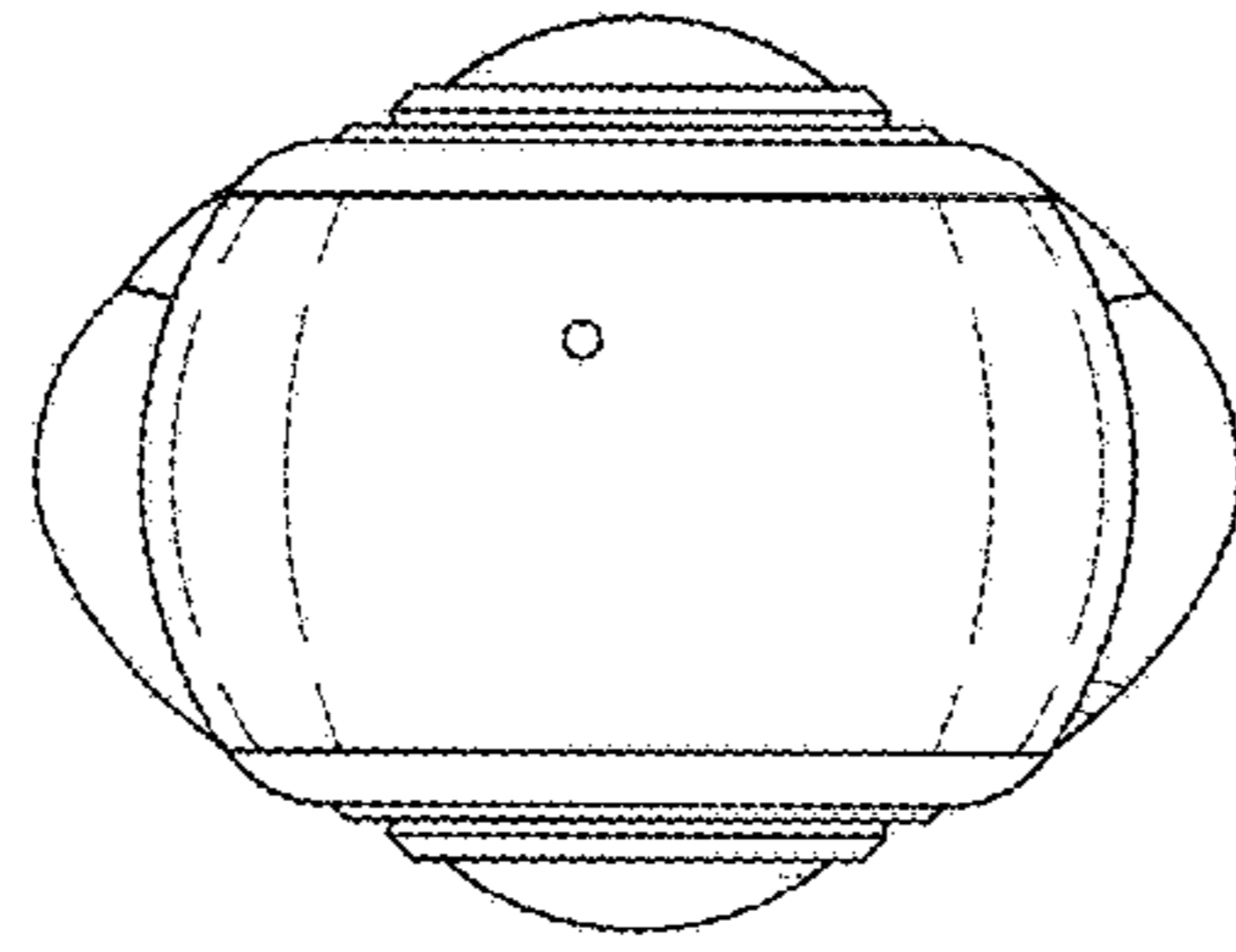


FIG. 7

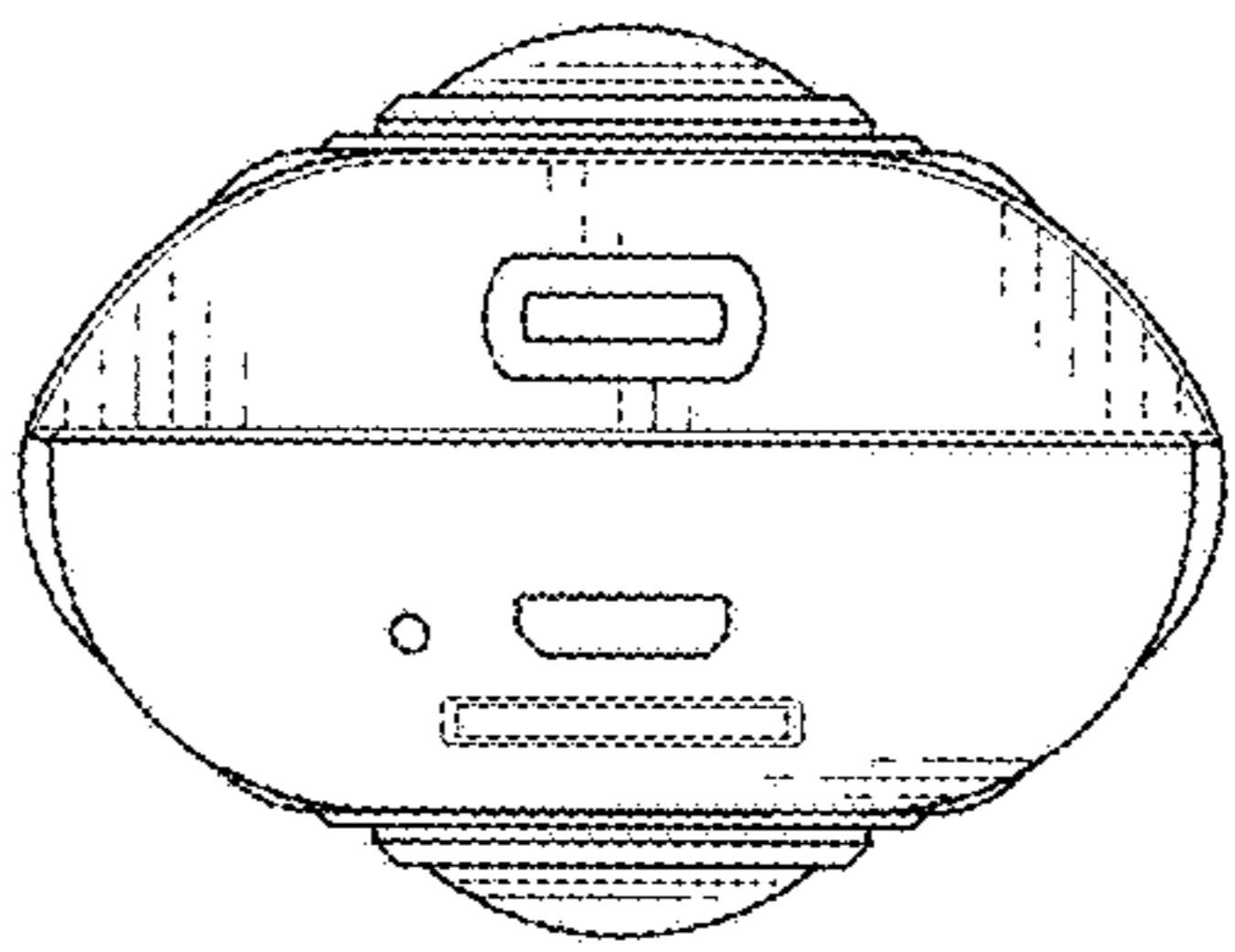


FIG. 8