

US00D849105S

(12) **United States Design Patent**  
**Högstedt et al.**

(10) **Patent No.:** **US D849,105 S**

(45) **Date of Patent:** **\*\* May 21, 2019**

(54) **CAMERA**

(71) Applicant: **FLIR Systems AB**, Täby (SE)

(72) Inventors: **Christian Högstedt**, Nacka (SE);  
**Anton Hoffman**, Bromma (SE); **Niklas Briheim**, Stockholm (SE); **Markus Stridsberg**, Stockholm (SE)

(73) Assignee: **FLIR SYSTEMS AB**, Taby (SE)

(\*\*) Term: **15 Years**

(21) Appl. No.: **29/597,277**

(22) Filed: **Mar. 15, 2017**

(51) **LOC (11) Cl.** ..... **16-01**

(52) **U.S. Cl.**  
USPC ..... **D16/218**

(58) **Field of Classification Search**

USPC ..... D16/200, 202–206, 208, 217, 218, 219;  
348/340, 373–376; 396/89, 176–178,  
396/535, 539–541

CPC ..... G03B 15/03; G03B 17/02; G03B 17/04;  
G03B 17/56; G03B 19/04; H04N 5/2251;  
H04N 5/2252; H04N 5/2253; H04N  
5/2254; H04N 2101/00

See application file for complete search history.

(56) **References Cited**

**U.S. PATENT DOCUMENTS**

5,032,857 A *	7/1991	Miki	.....	G03B 7/091
				396/539
D404,413 S *	1/1999	Ida	.....	D16/202
D557,308 S *	12/2007	Matsuda	.....	D16/202
D564,560 S *	3/2008	Funakoshi	.....	D16/200
D570,891 S *	6/2008	Miyahara	.....	D16/202
D579,475 S *	10/2008	Aronsson	.....	D16/218
D598,038 S *	8/2009	Takahashi	.....	D16/200

(Continued)

**OTHER PUBLICATIONS**

Flir Systems AB, "Camera Module", U.S. Appl. No. 29/525,225 Apr. 28, 2015, 19 pages.

*Primary Examiner* — Ramzi S Almatrahi

(74) *Attorney, Agent, or Firm* — Haynes and Boone, LLP

(57) **CLAIM**

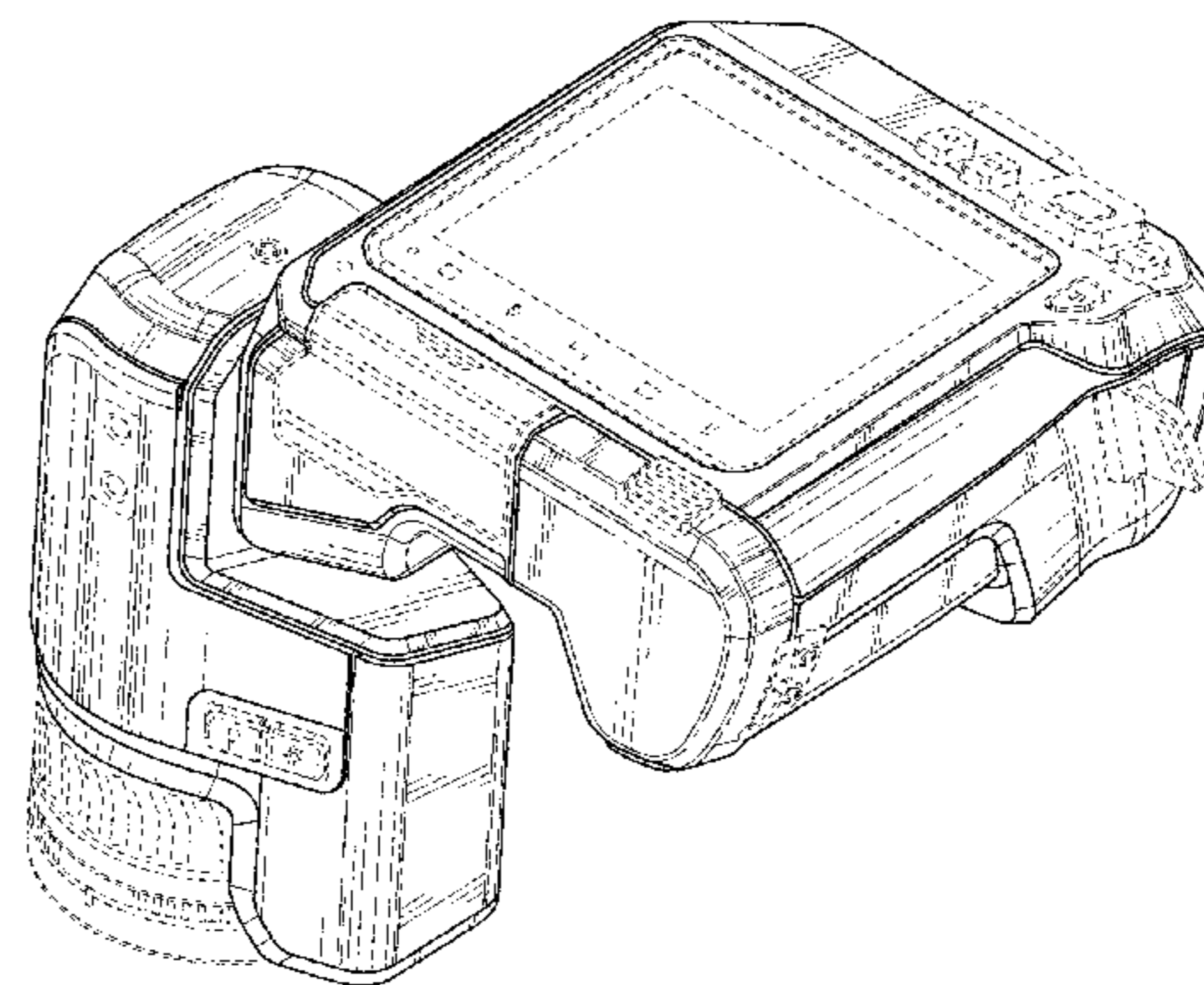
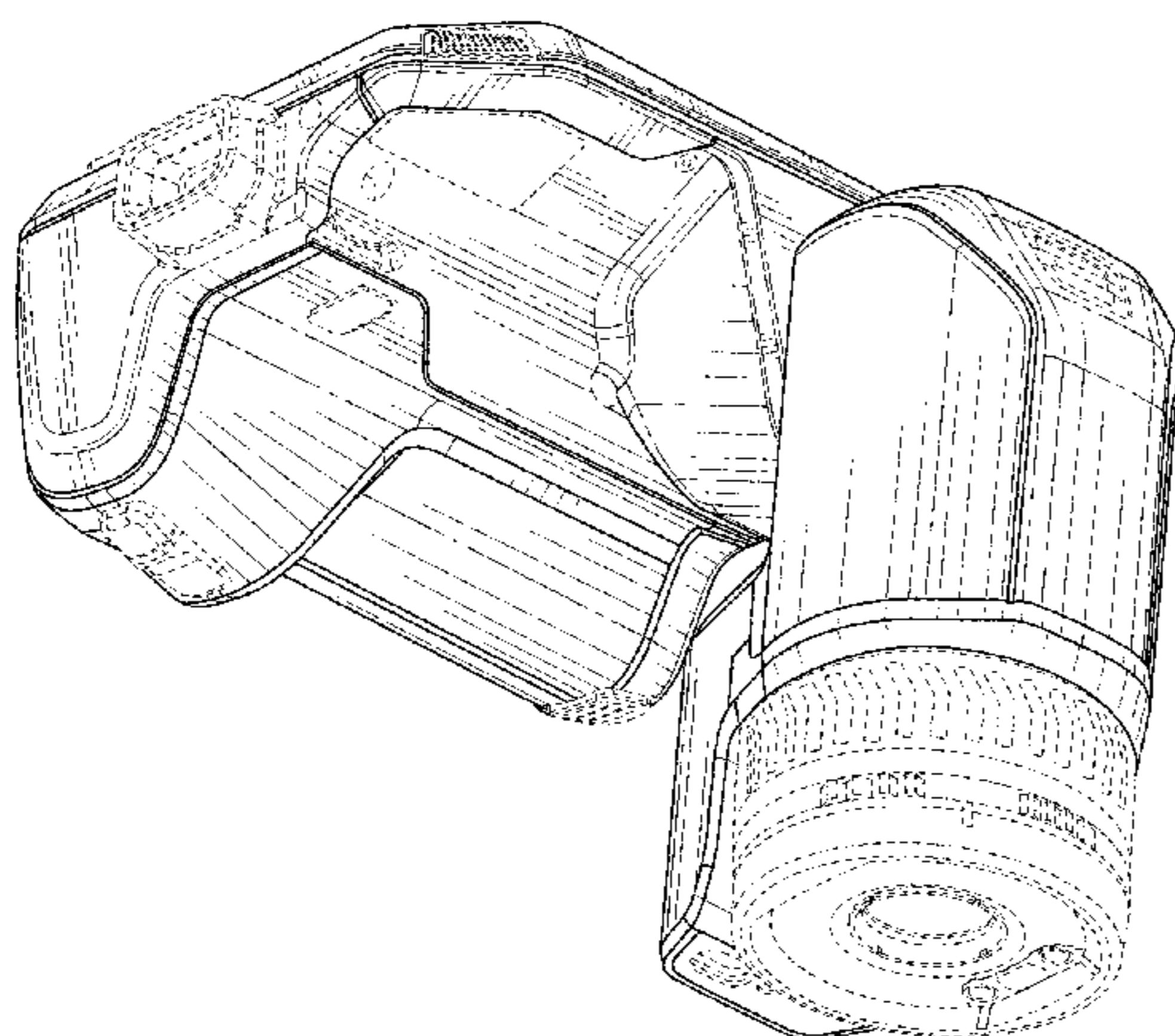
The ornamental design for a camera, as shown and described.

**DESCRIPTION**

FIG. 1 is a front, left, and top perspective view of a camera showing the new design illustrated in a first orientation; FIG. 2 is a front elevational view thereof; FIG. 3 is a rear elevational view thereof; FIG. 4 is a right side view thereof; FIG. 5 is a left side view thereof; FIG. 6 is a top plan view thereof; FIG. 7 is a bottom plan view thereof; and FIG. 8 is a rear, right, and bottom perspective view thereof. FIG. 9 is a rear, left, and top perspective view of the camera illustrated in a second orientation, wherein a first portion of the camera (e.g., a lens assembly), may be selectively moved to one or more positions relative to a second portion of the camera (e.g., an interactive user interface); FIG. 10 is a front elevational view thereof; FIG. 11 is a rear elevational view thereof; FIG. 12 is a right side view thereof; FIG. 13 is a left side view thereof; FIG. 14 is a top plan view thereof; FIG. 15 is a bottom plan view thereof; and, FIG. 16 is a front, right, and bottom side elevational view thereof.

The broken lines depict portions of the camera in which the design is embodied that form no part of the claimed design.

**1 Claim, 14 Drawing Sheets**



(56)

**References Cited**

U.S. PATENT DOCUMENTS

7,924,312 B2 *	4/2011	Packard	.....	H04N 5/2258	348/164
D665,004 S *	8/2012	Lofgren	.....	D16/206	
D718,801 S *	12/2014	Zetterlund	.....	D16/218	
D753,208 S *	4/2016	Elrod	.....	D16/208	
D758,468 S *	6/2016	Darty	.....	D16/207	
2005/0200746 A1 *	9/2005	Ahn	.....	G03B 17/02	348/373

\* cited by examiner

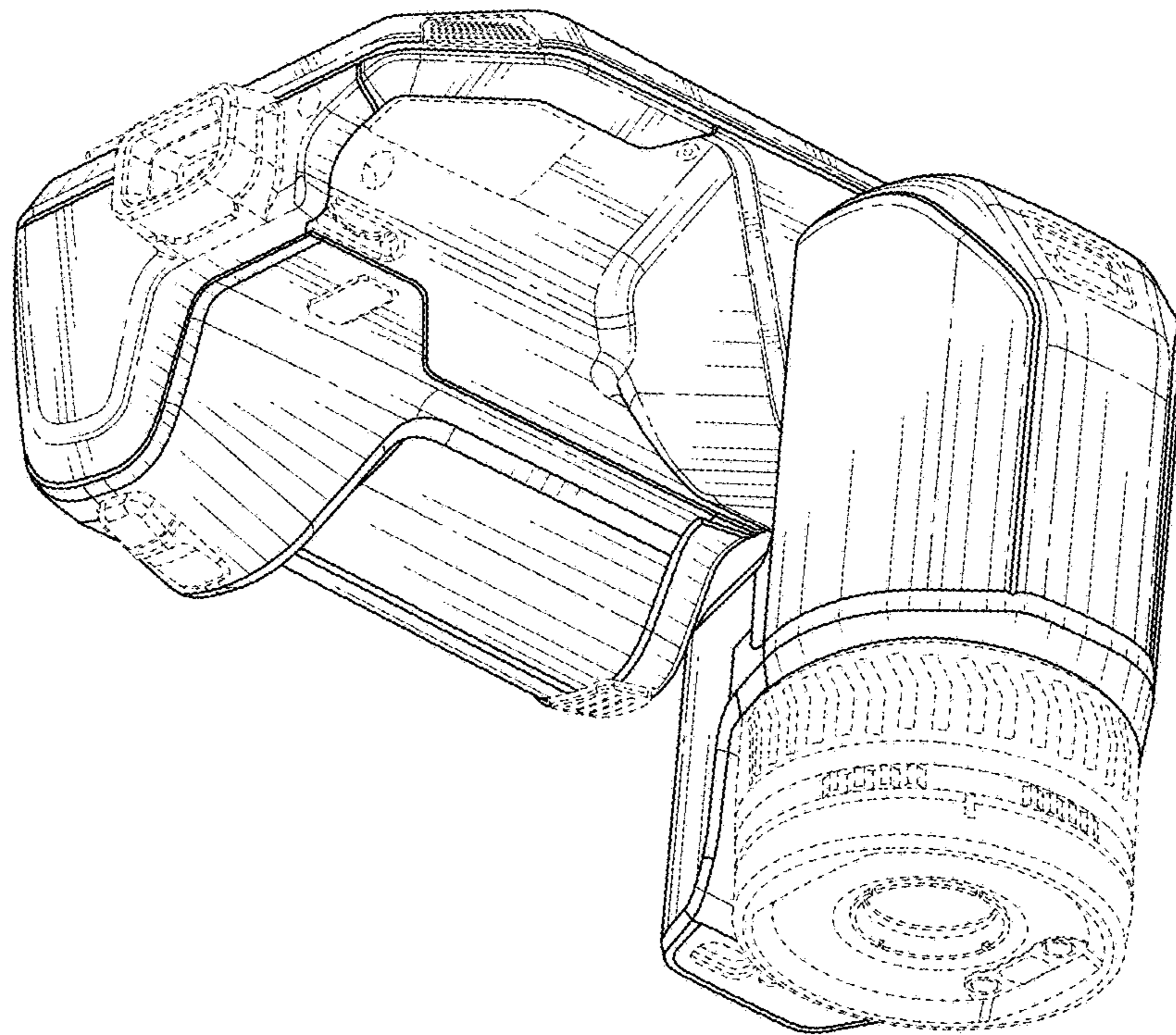


FIG. 1

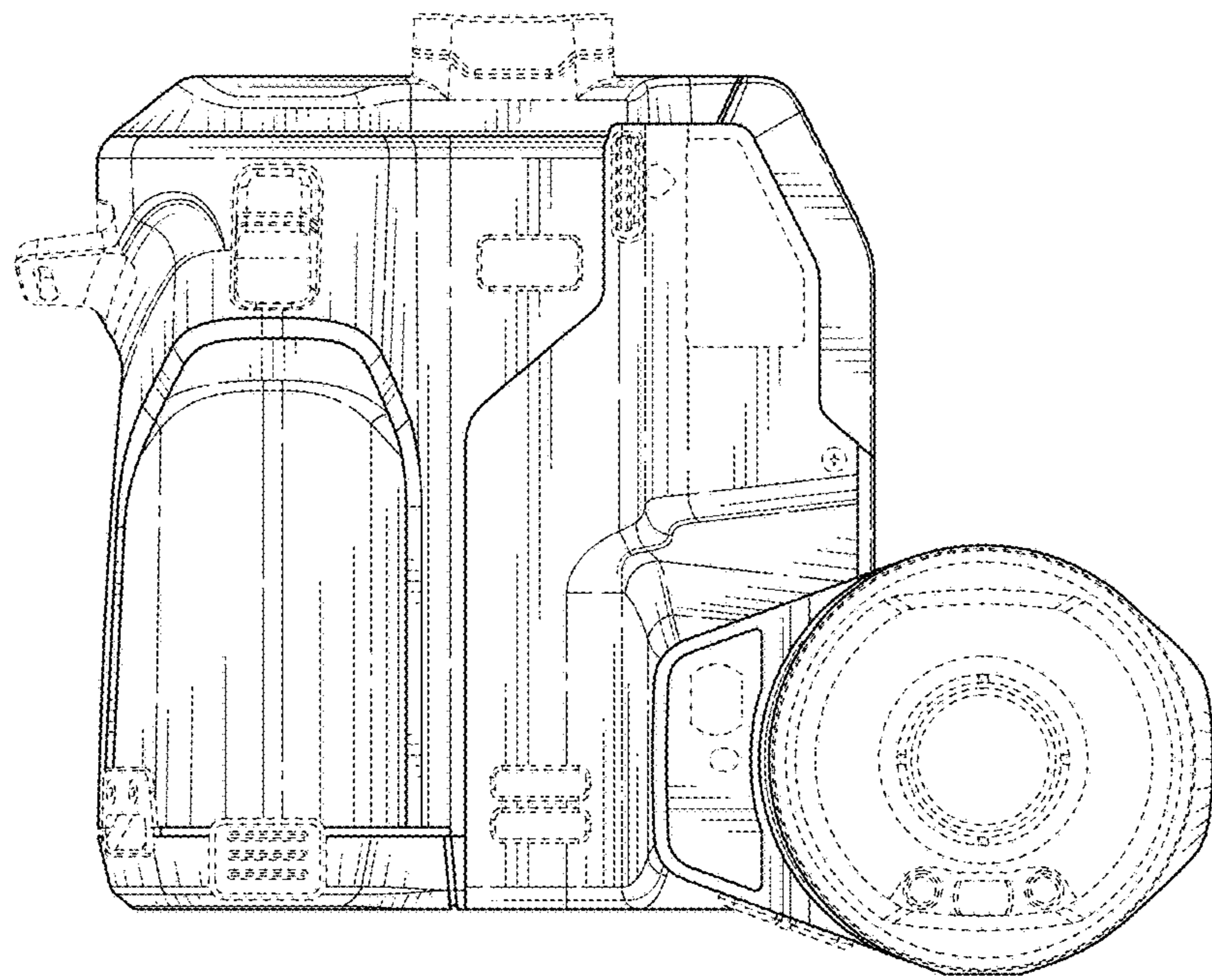


FIG. 2

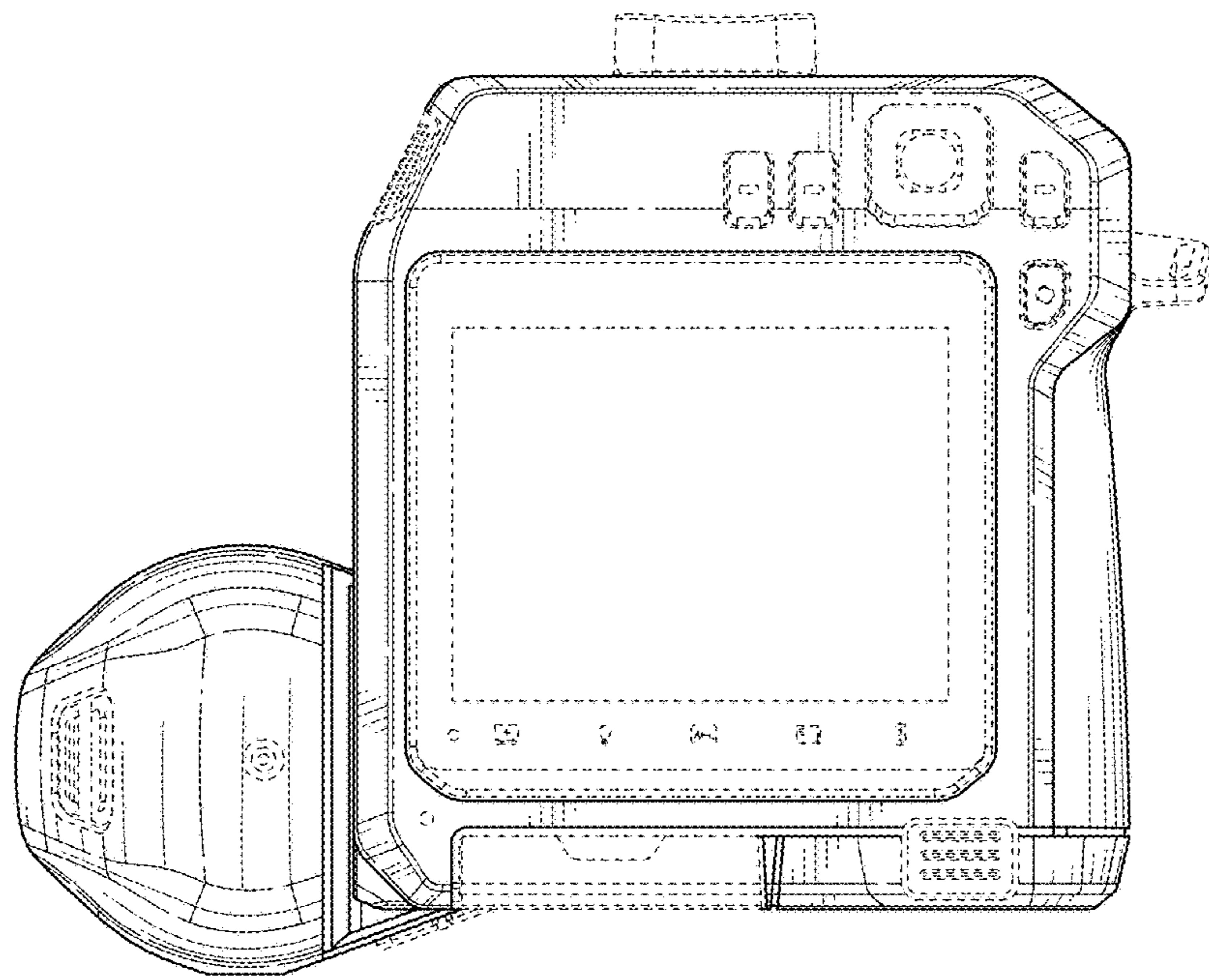


FIG. 3

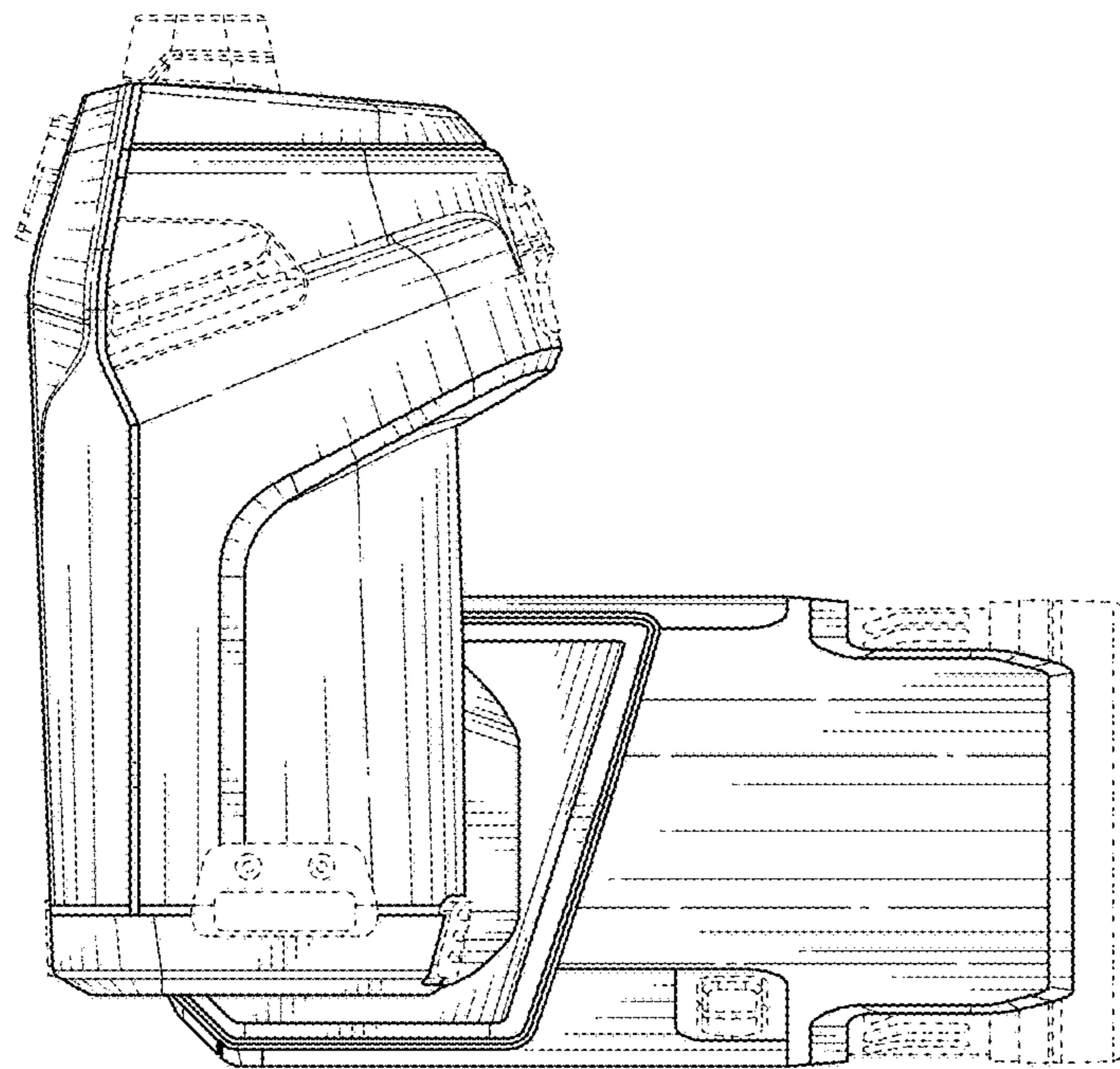


FIG. 4

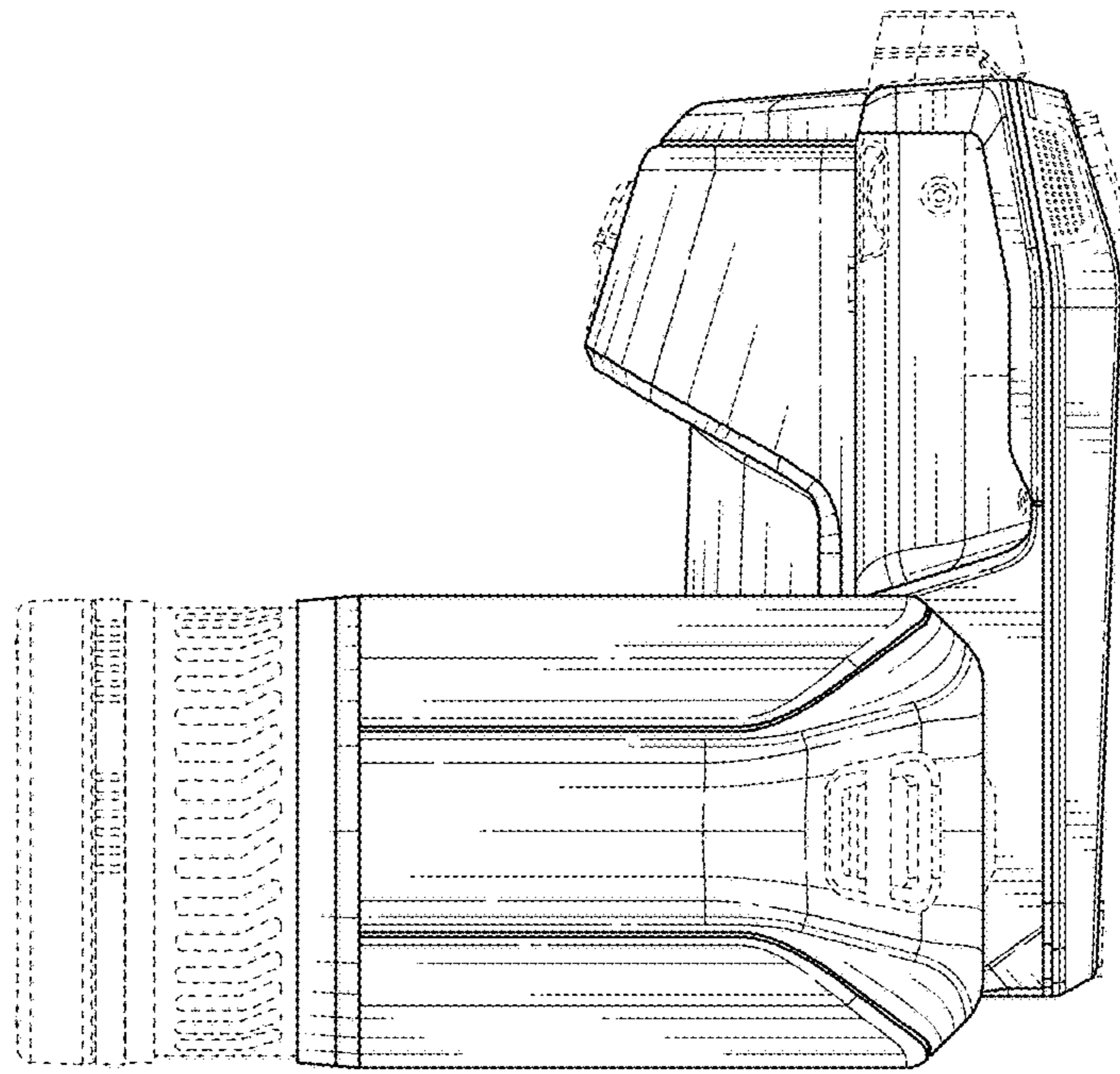


FIG. 5

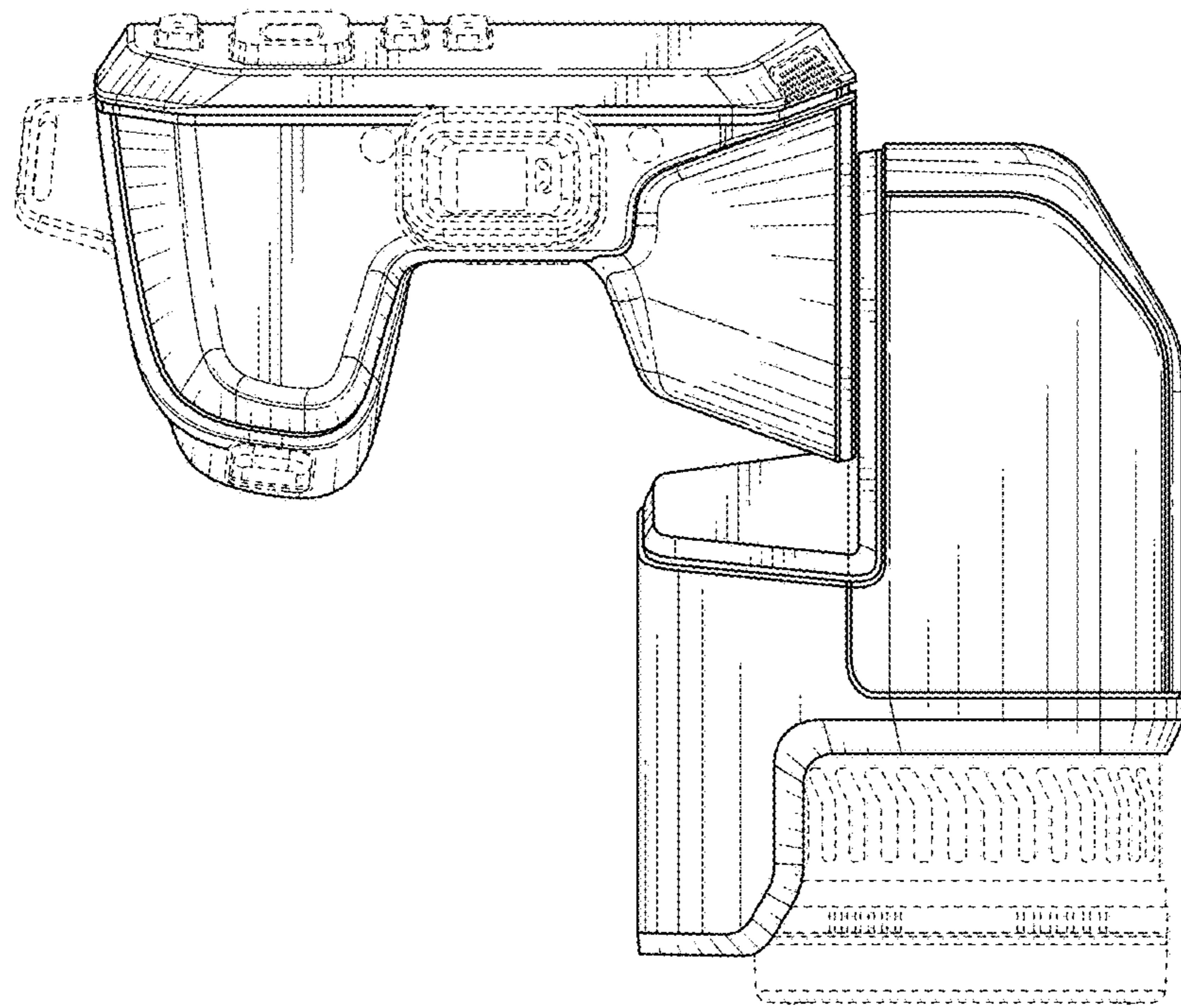


FIG. 6



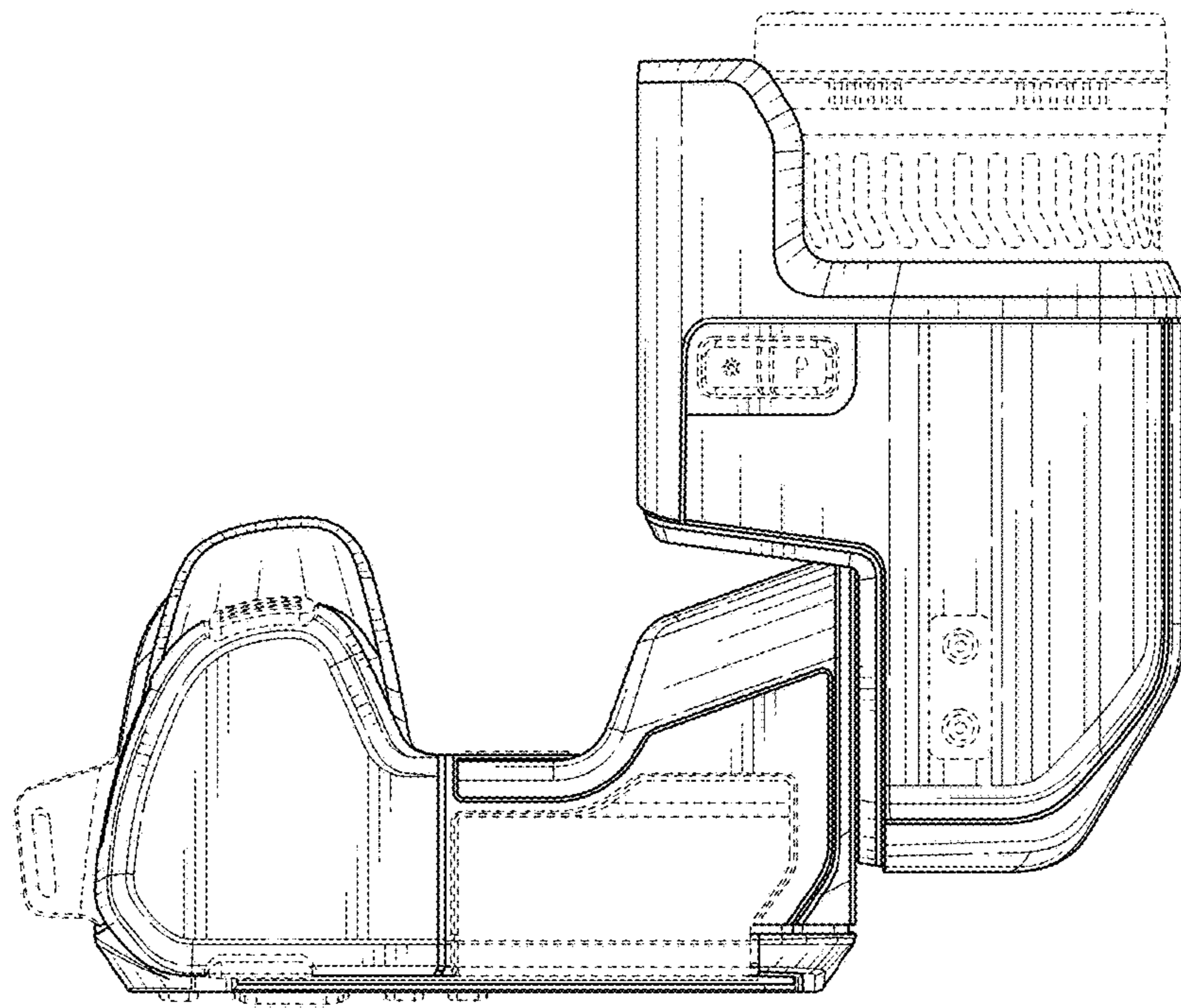


FIG. 7

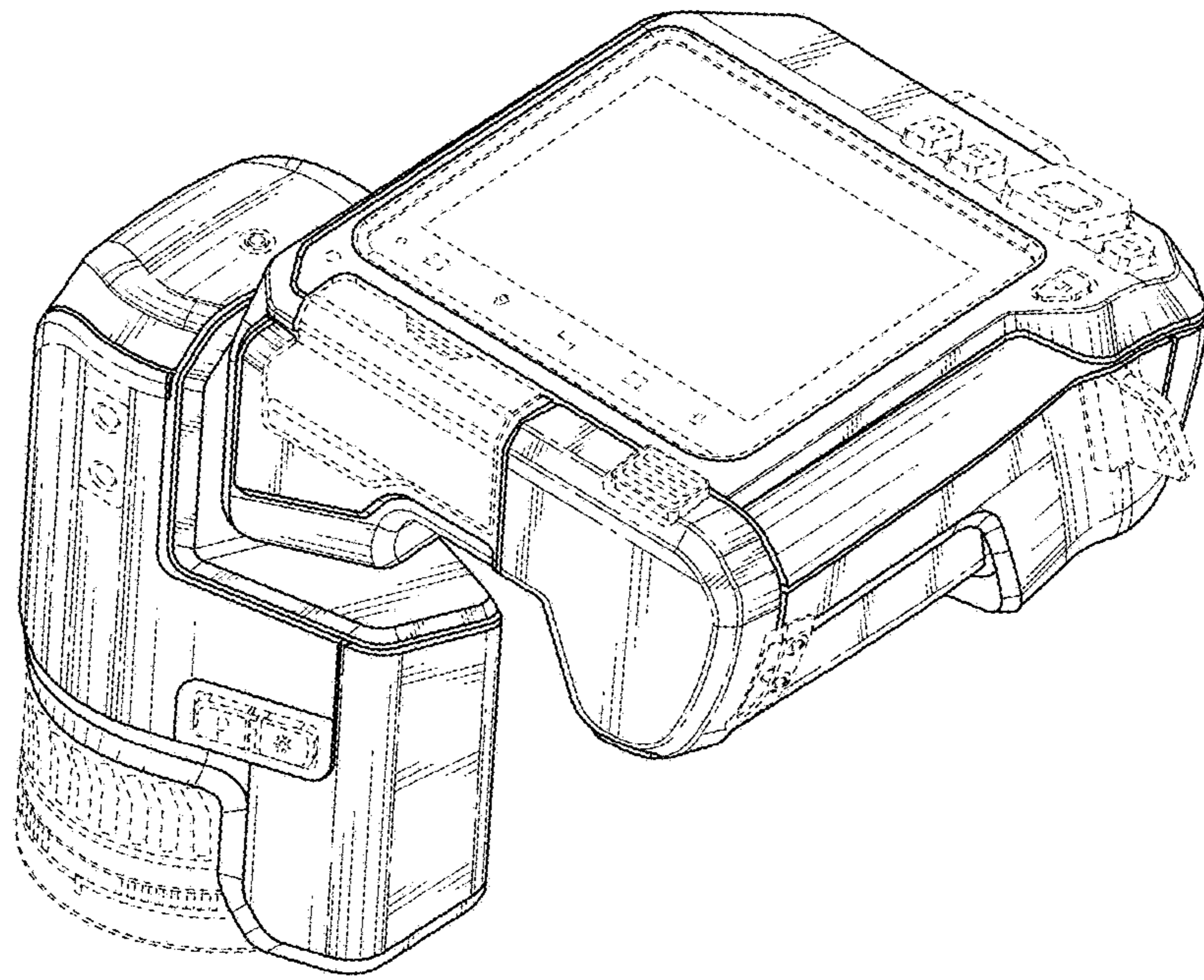


FIG. 8

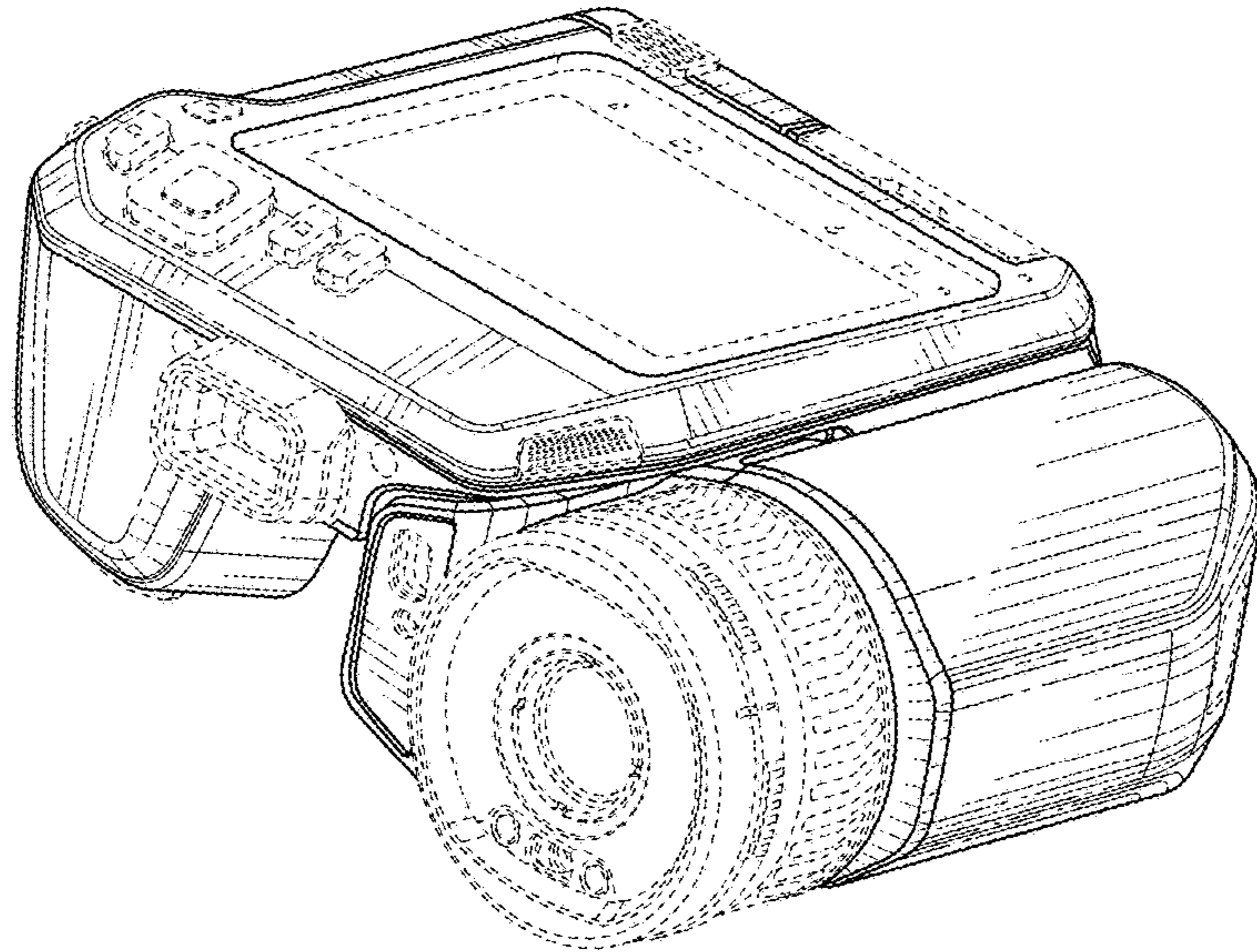


FIG. 9

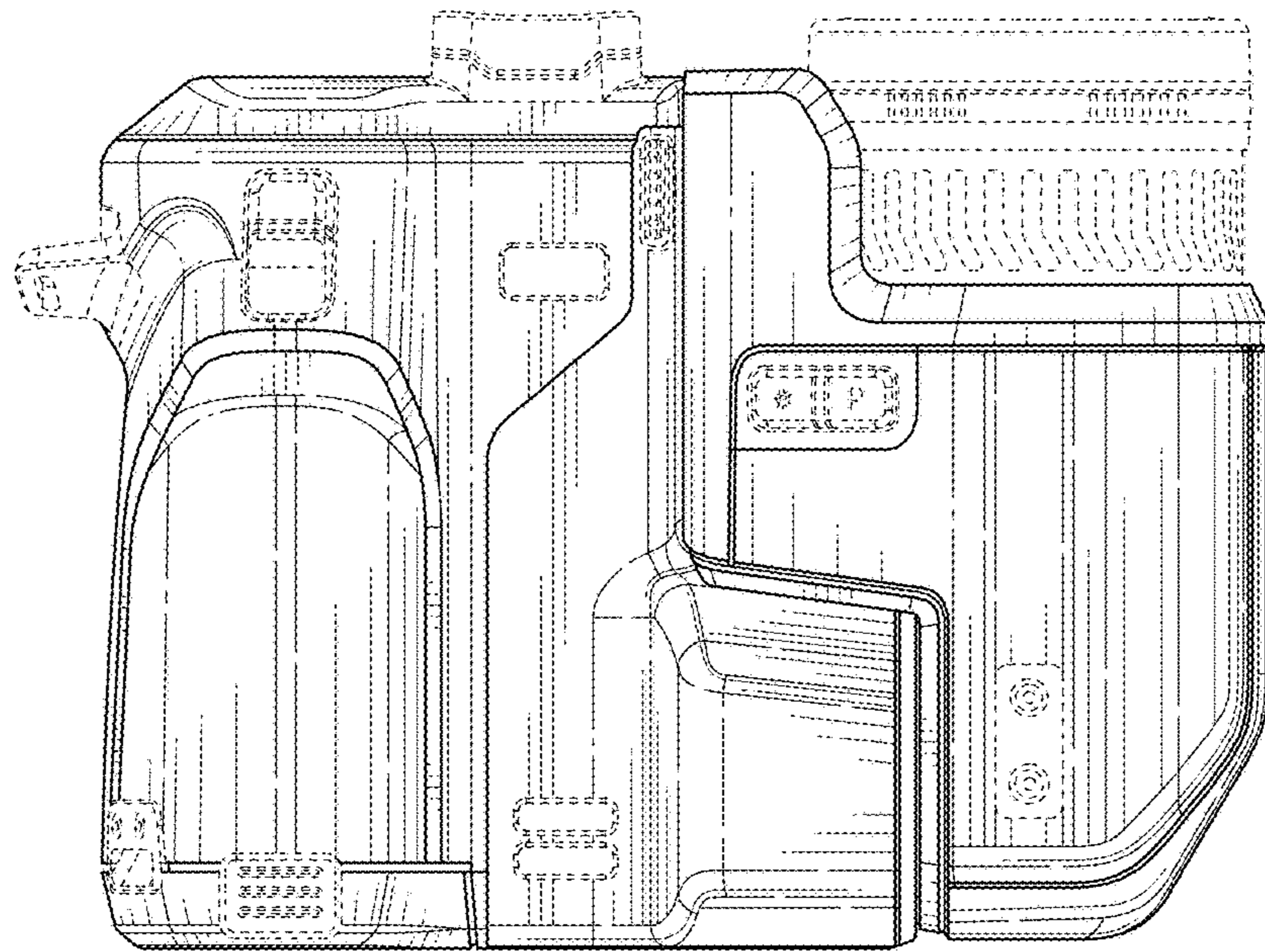


FIG. 10

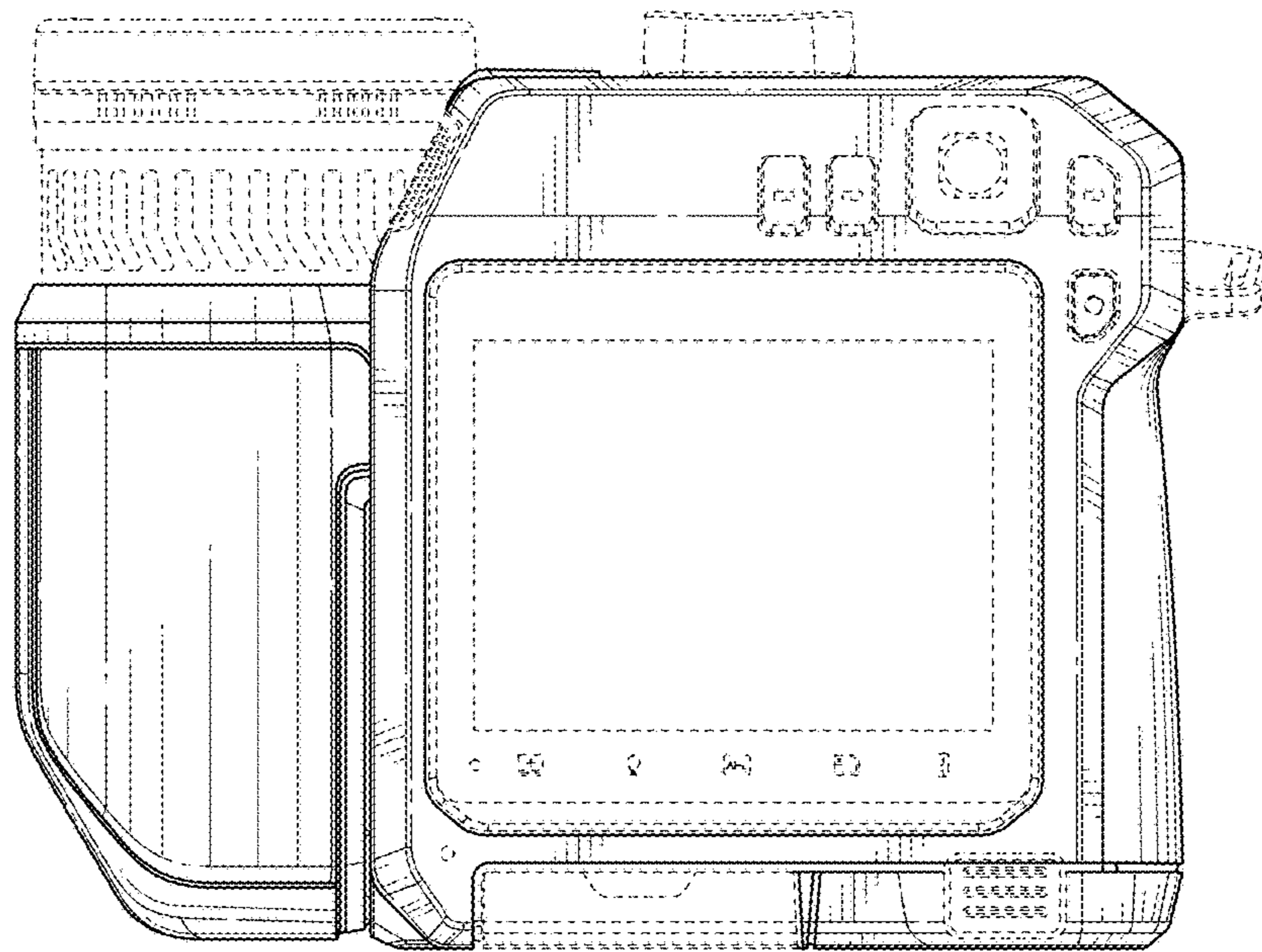


FIG. 11

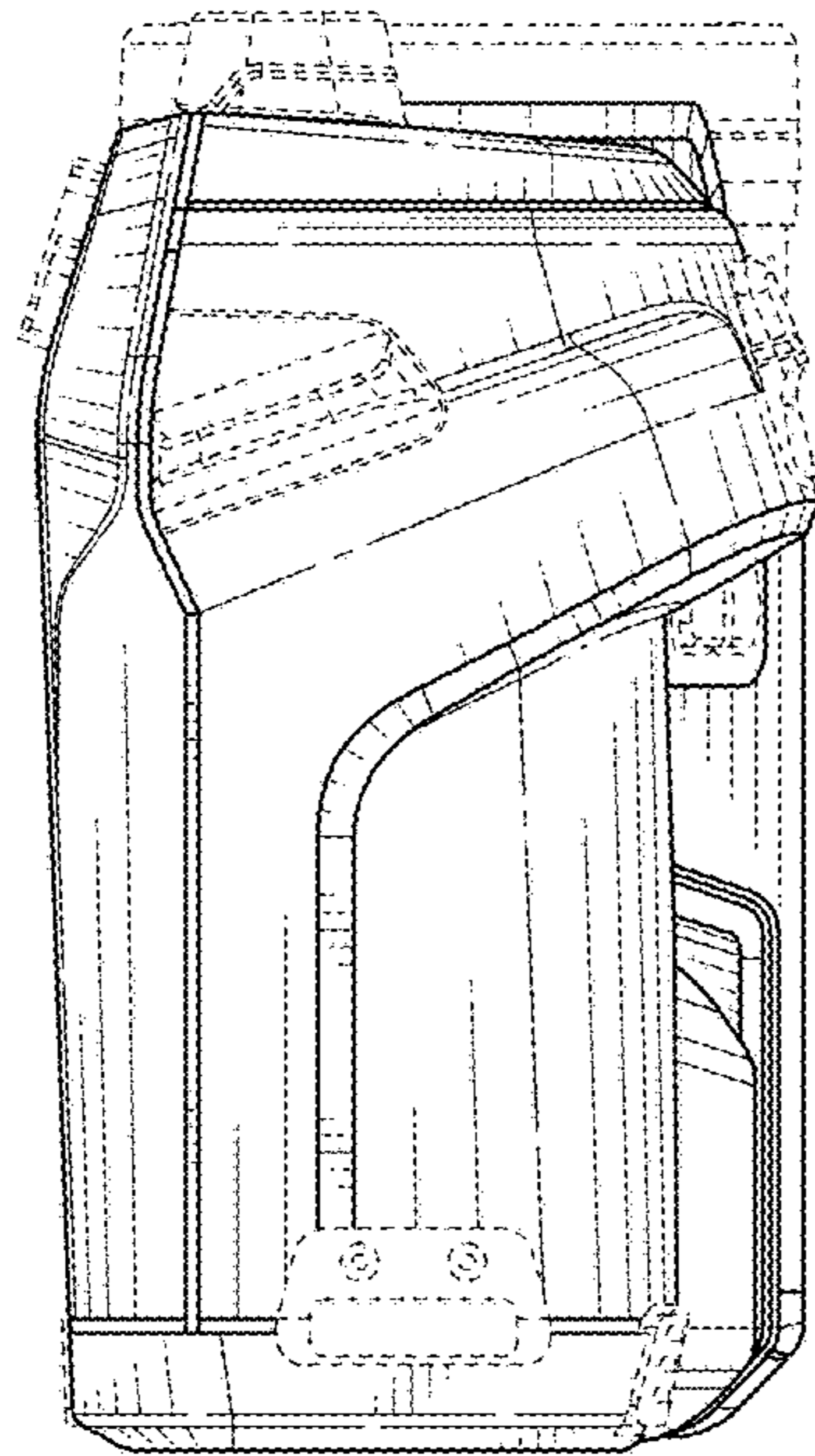


FIG. 12

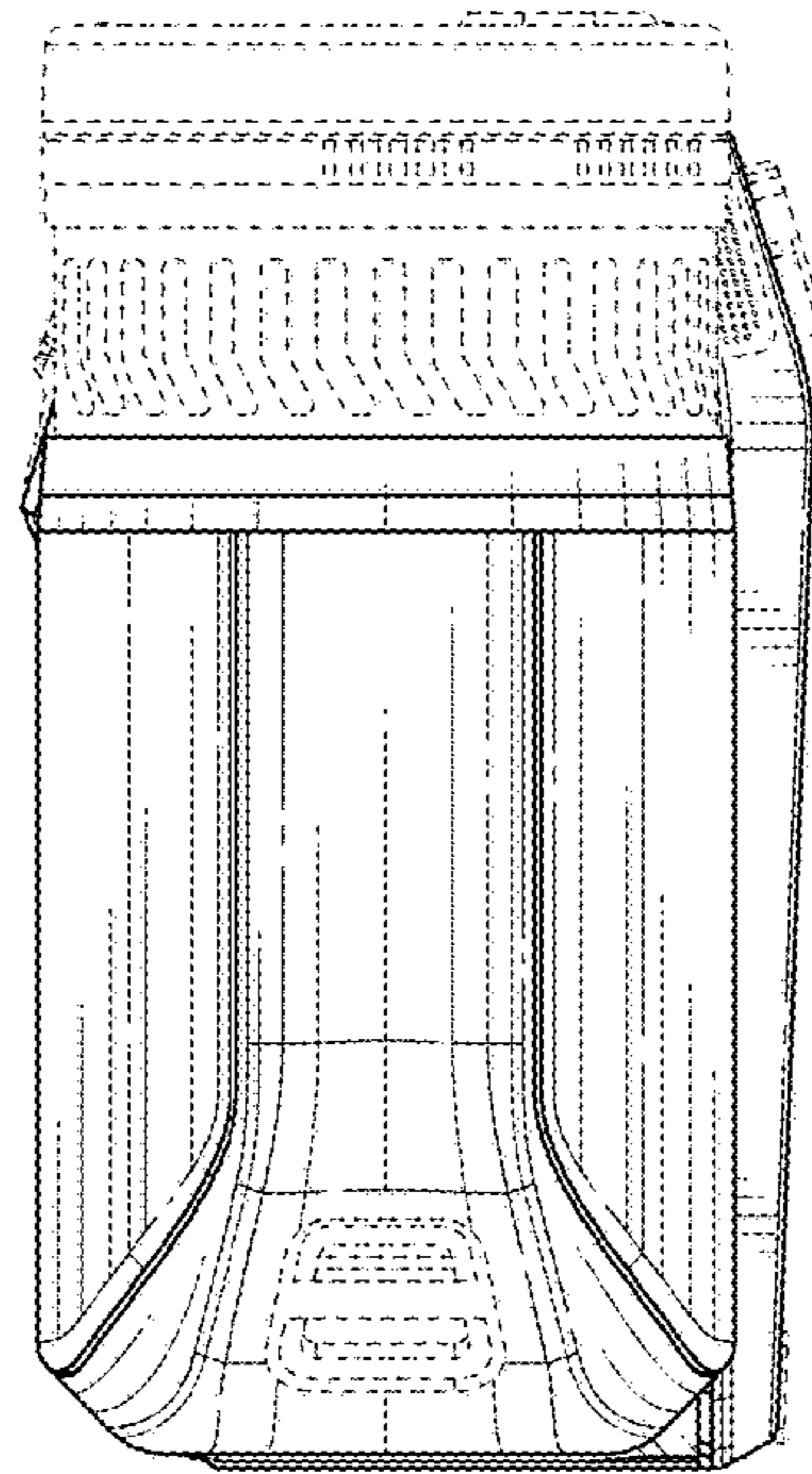


FIG. 13

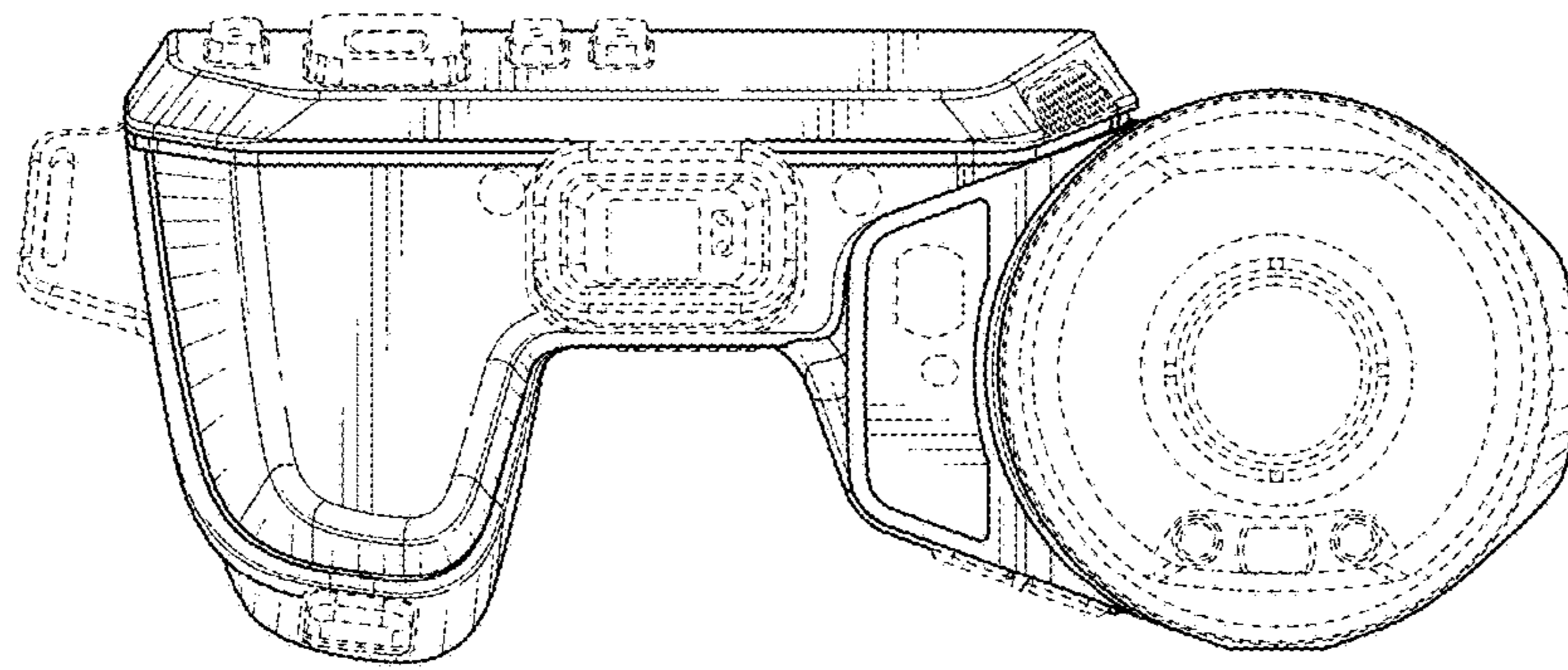


FIG. 14

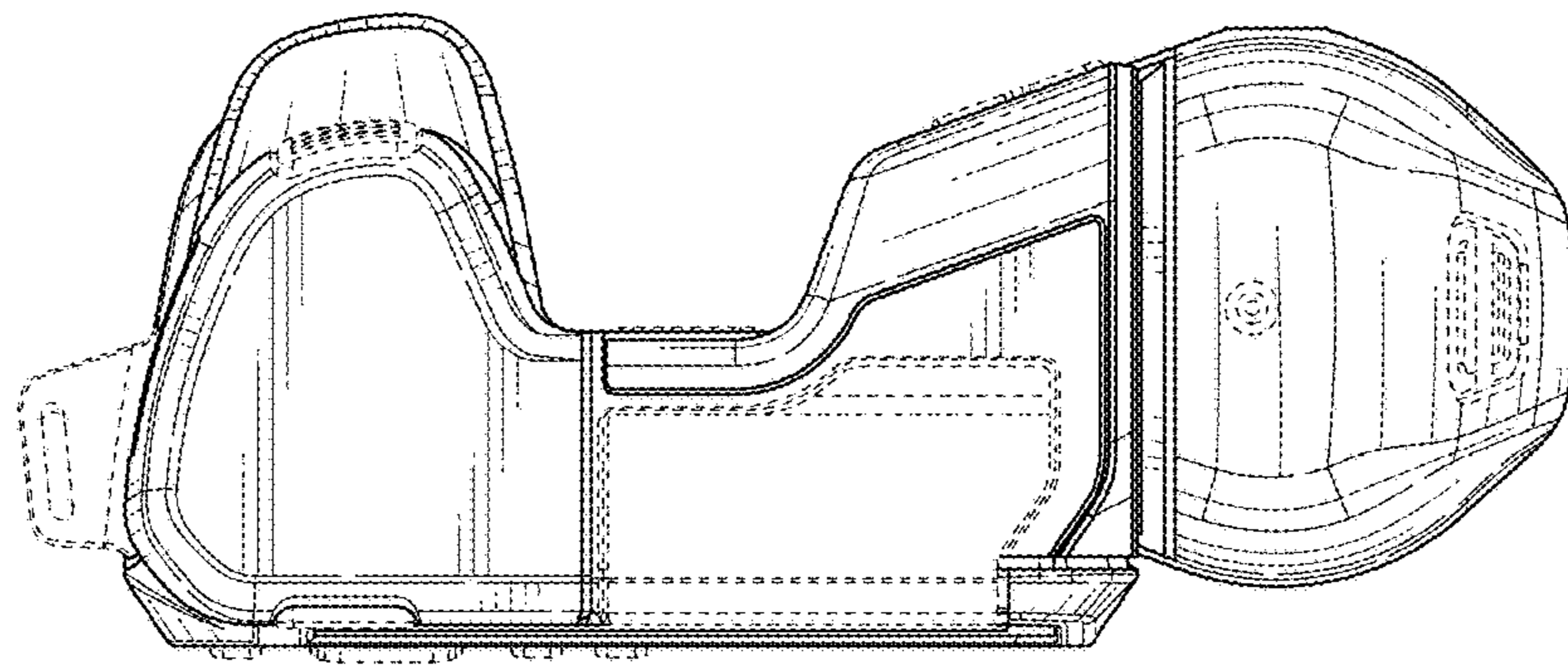


FIG. 15

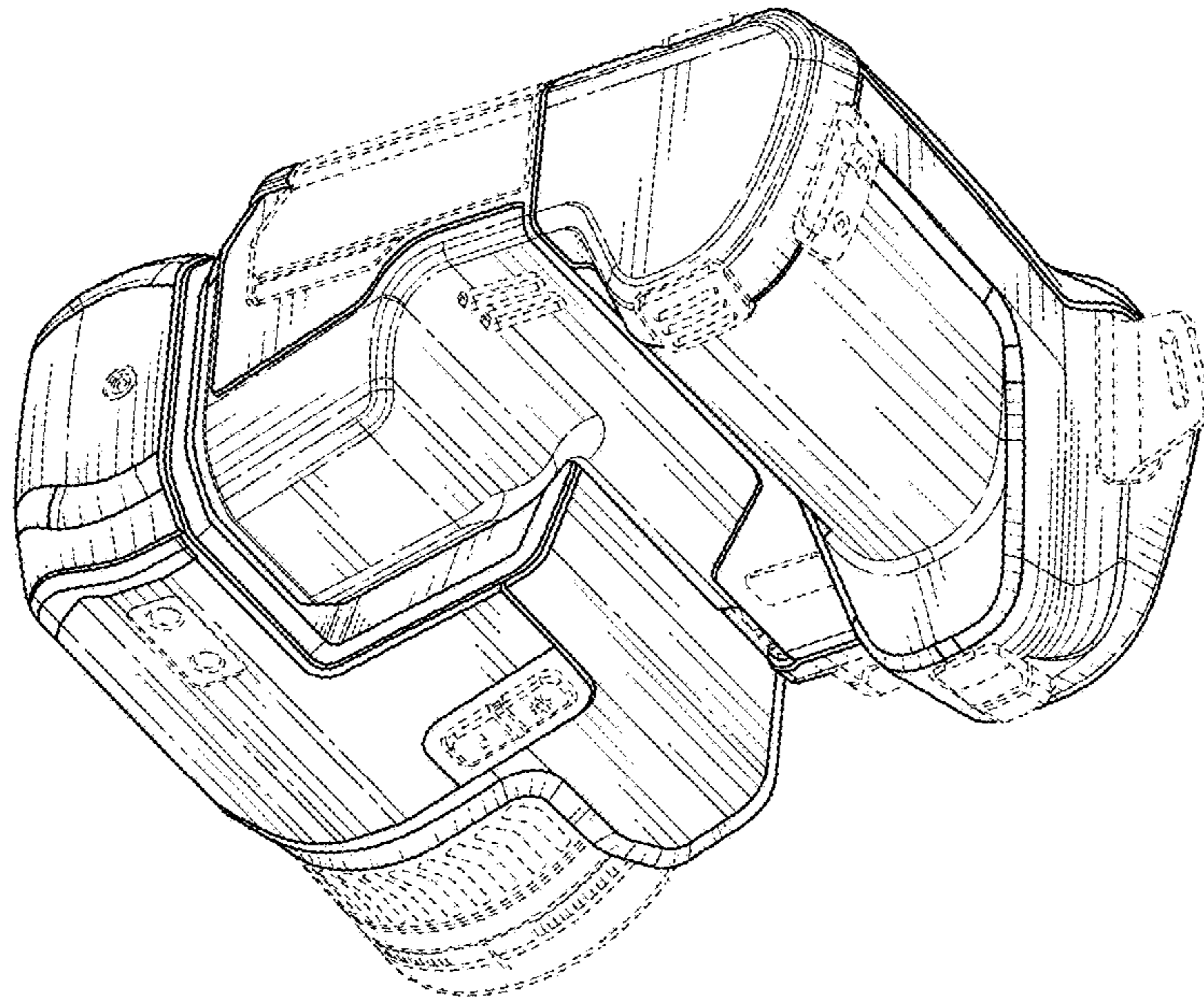


FIG. 16