

US00D849104S

(12) **United States Design Patent**
Wong et al.

(10) **Patent No.:** **US D849,104 S**

(45) **Date of Patent:** **** May 21, 2019**

(54) **PHOTO BOOTH**

(71) Applicant: **Photobooth Supply Co.**, Lake Forest, CA (US)

(72) Inventors: **Brandon Wong**, Lake Forest, CA (US); **Vincent Cordero**, Cypress, CA (US); **Matthew Sommerfield**, Allentown, PA (US); **Brendan Haentjens**, Bethlehem, PA (US); **Scott Doty**, Birmingham, AL (US)

(73) Assignee: **Photobooth Supply Co.**, Lake Forest, CA (US)

(**) Term: **15 Years**

(21) Appl. No.: **29/623,755**

(22) Filed: **Oct. 26, 2017**

(51) **LOC (11) Cl.** **16-01**

(52) **U.S. Cl.**

USPC **D16/215**

(58) **Field of Classification Search**

USPC D16/200, 202–206, 214–216, 218, 219, D16/229, 239, 240, 242, 244; D25/16; 52/27.5, 29, 36.1; 348/373–376; 396/2, 396/3, 5, 419, 427, 429, 535, 539–541
CPC G03B 15/00; G03B 15/03; G03B 15/06; G03B 17/02; G03B 17/04; G03B 17/53; G03B 17/56; G03B 19/04; H04N 5/2251; H04N 5/2252; H04N 5/2253; H04N 5/2254; H04N 2101/00

See application file for complete search history.

(56) **References Cited**

U.S. PATENT DOCUMENTS

D228,578 S * 10/1973 Glaros D16/214
6,415,106 B2 * 7/2002 Hayashi H04N 5/2251
348/376

7,646,425 B2 * 1/2010 Bohaker H04N 1/00127
348/156
D633,933 S * 3/2011 Van Schalkwyk D16/214
D655,736 S * 3/2012 Barley D16/203
D705,445 S * 5/2014 Bolos D25/16
D721,757 S * 1/2015 Shepard D16/214
D727,992 S * 4/2015 Tu D16/215
D729,296 S * 5/2015 Shelton D16/202
D731,575 S * 6/2015 Moss D16/215
D752,127 S * 3/2016 Inagaki D16/215

(Continued)

OTHER PUBLICATIONS

Photobooth Supply Co. Basic Photobooth. On sale more than one year prior to filing date of application.

(Continued)

Primary Examiner — Ramzi S Almatrahi

(74) *Attorney, Agent, or Firm* — Design IP

(57) **CLAIM**

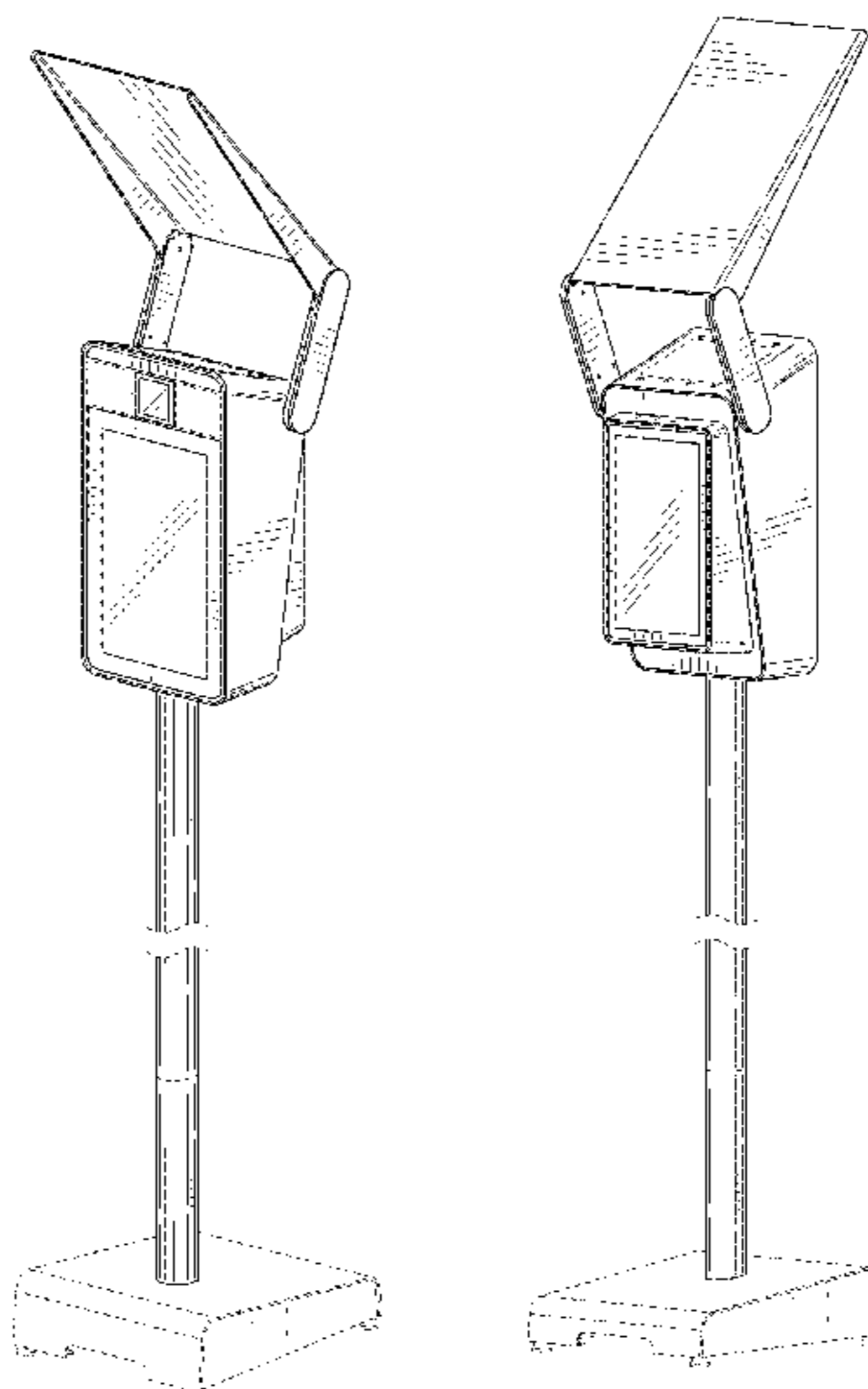
The ornamental design for a photo booth, as shown and described.

DESCRIPTION

FIG. 1 is a front perspective view of a photo booth showing our new design;
FIG. 2 is a front view thereof;
FIG. 3 is a rear view thereof;
FIG. 4 is a right side view thereof;
FIG. 5 is a left side view thereof;
FIG. 6 is a top view thereof;
FIG. 7 is a rear perspective view thereof; and,
FIG. 8 is a bottom view thereof.

The broken lines depict portions of the photo booth in which the design is embodied that form no part of the claimed design. Additionally, the separations on the vertical pole depicted by the broken lines indicate break lines for indeterminate length. Any portion of the article between the break lines form no part of the claimed design.

1 Claim, 5 Drawing Sheets



(56)

References Cited

U.S. PATENT DOCUMENTS

D755,876 S * 5/2016 Moss D16/214
D785,694 S * 5/2017 Fujii D16/214

OTHER PUBLICATIONS

LA Photo Party Infinite Photobooth. On sale prior to filing date of application.

* cited by examiner

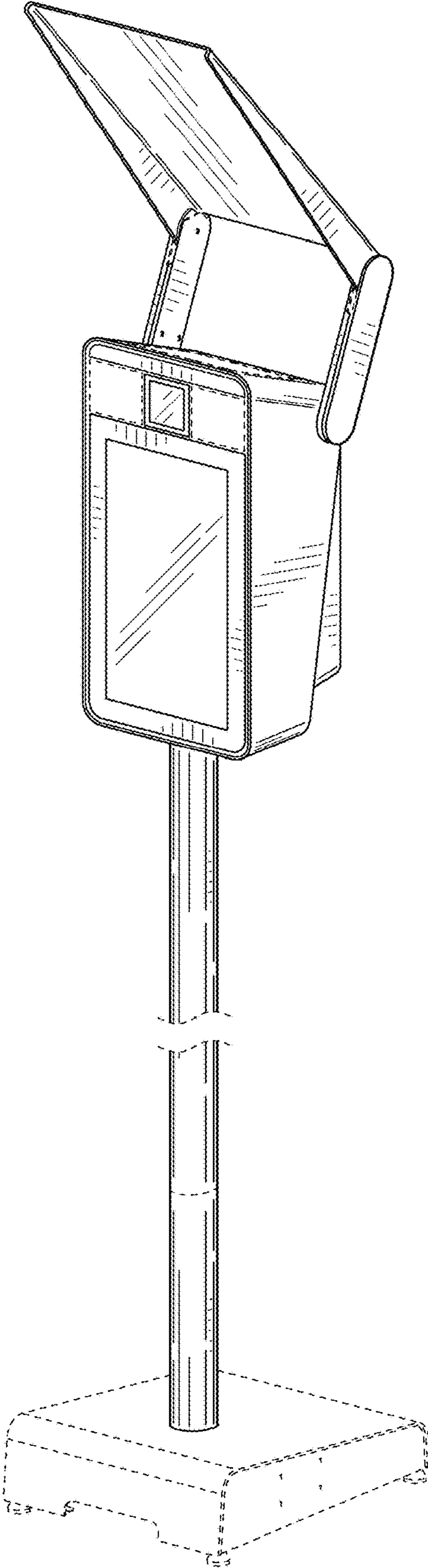


FIG. 1

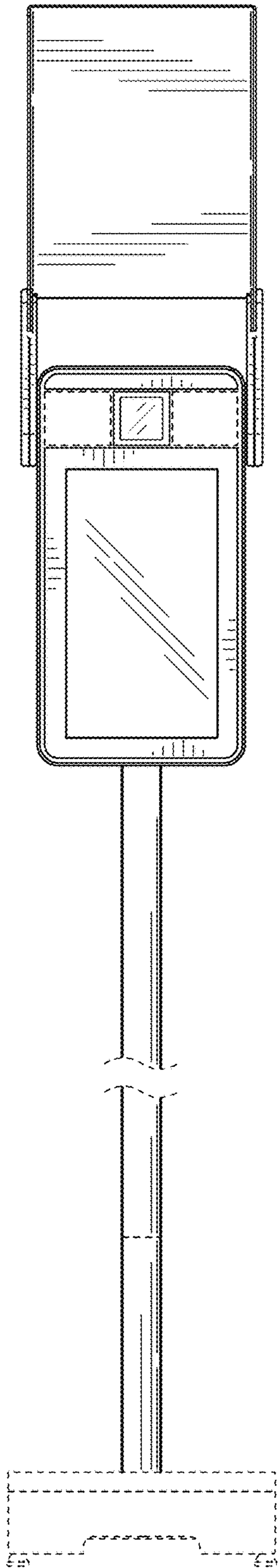


FIG. 2

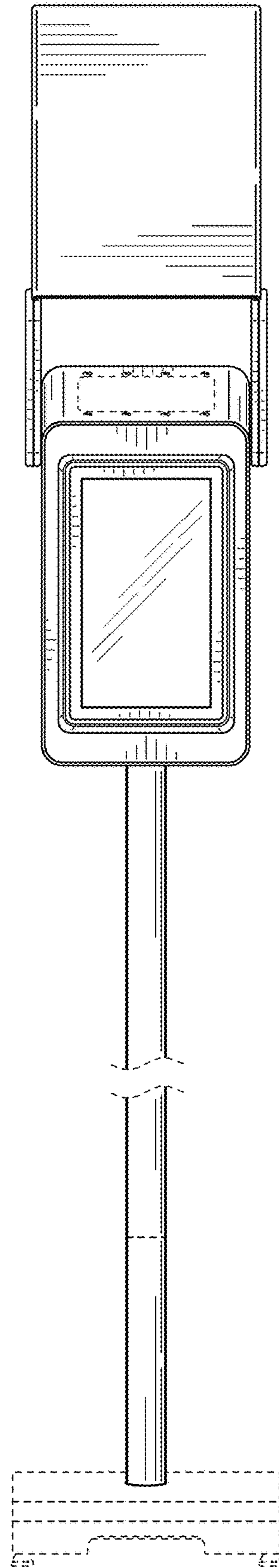


FIG. 3

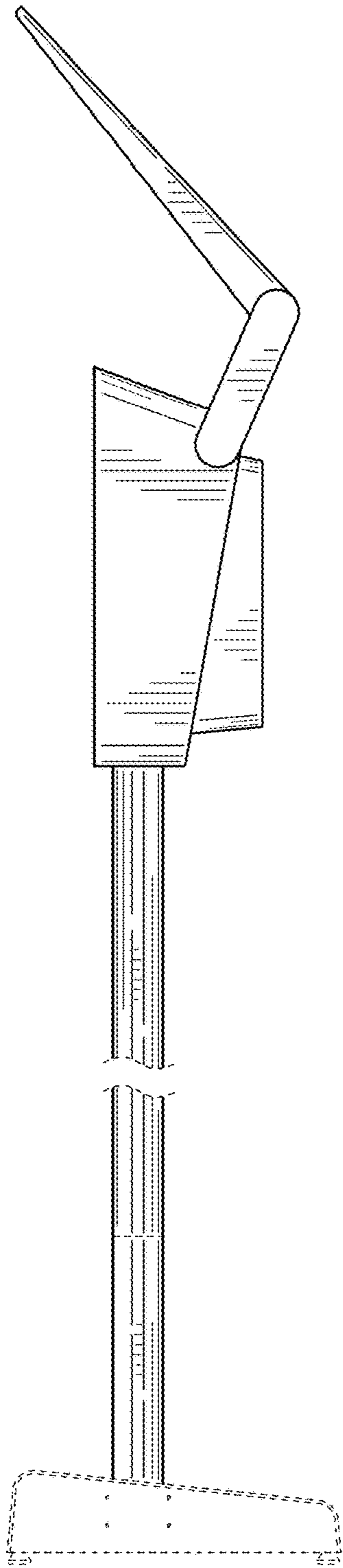


FIG. 4

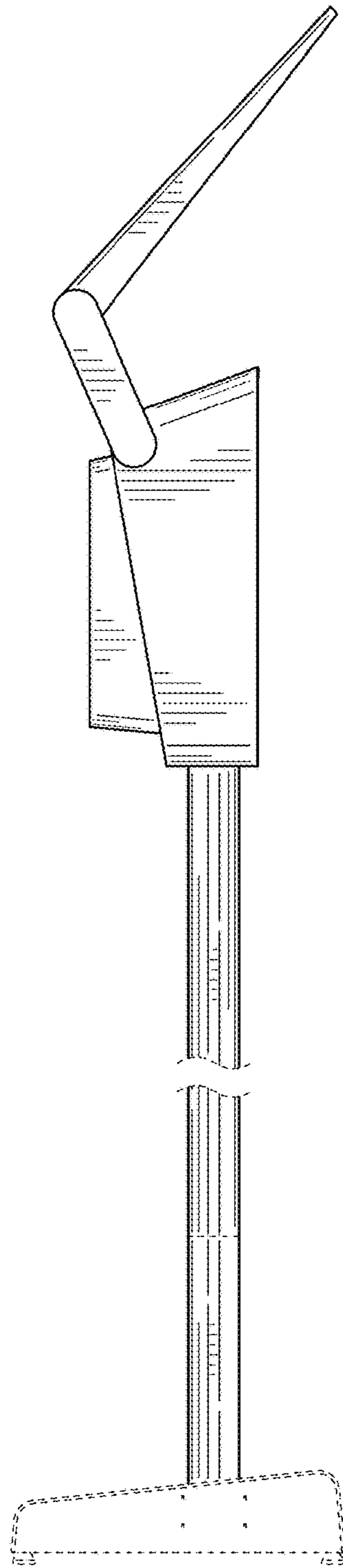


FIG. 5

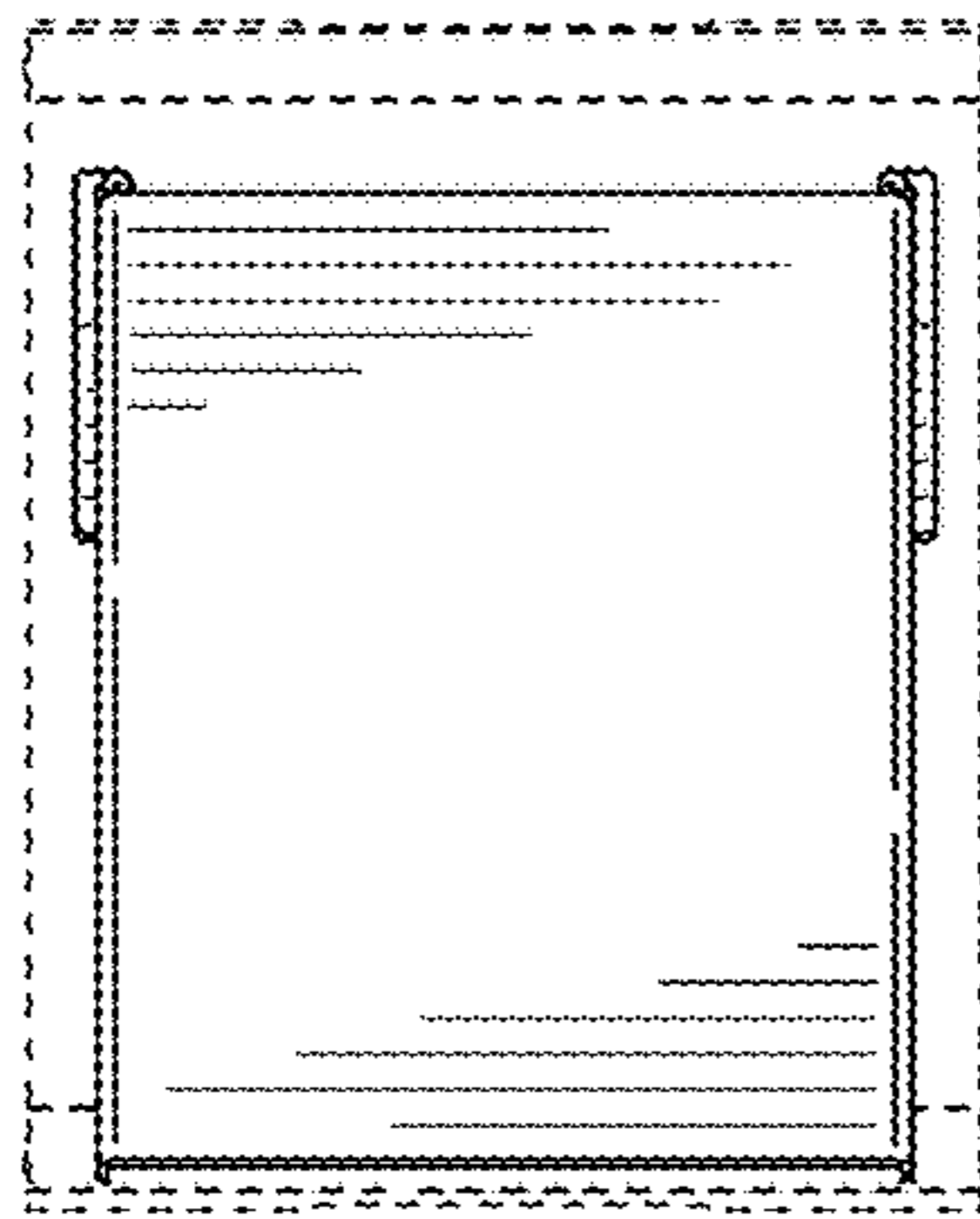


FIG. 6

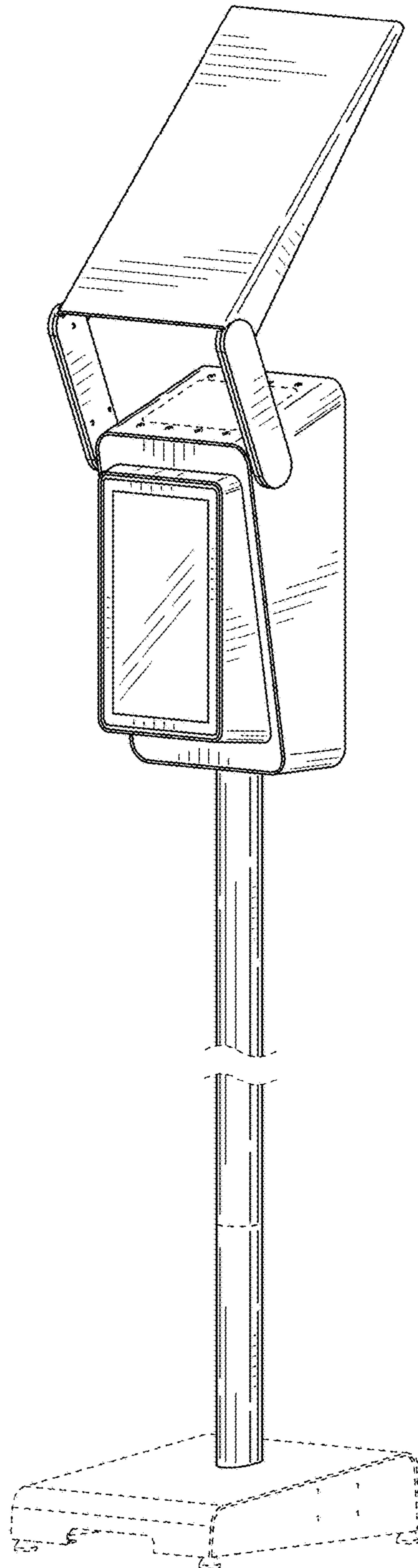


FIG. 7

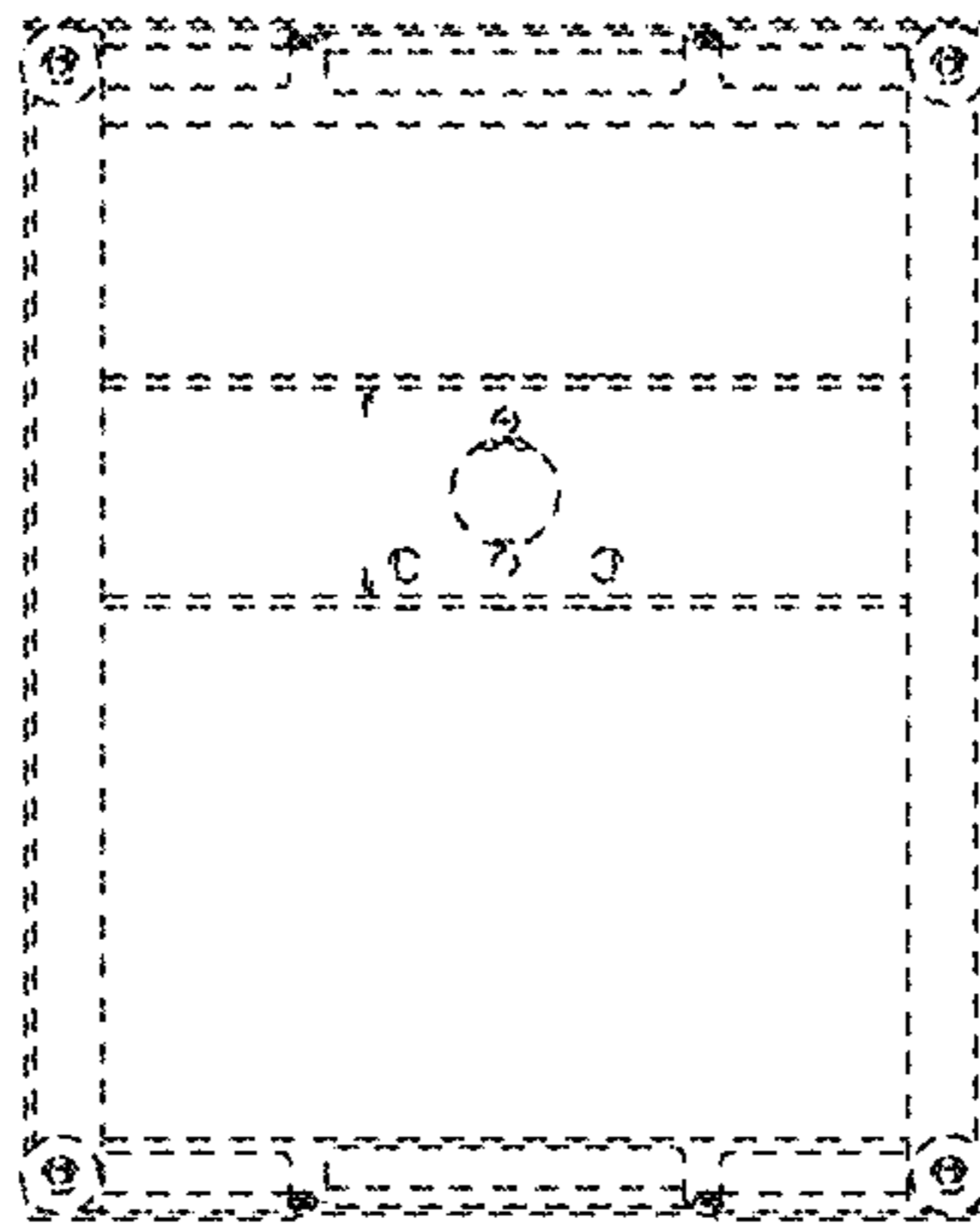


FIG. 8