



US00D849103S

(12) **United States Design Patent** (10) **Patent No.:** **US D849,103 S**
Winata et al. (45) **Date of Patent:** **** May 21, 2019**

(54) **PHOTO BOOTH**

(71) Applicants: **Caroline Winata**, Sacramento, CA
 (US); **Josh Daniels**, Sacramento, CA
 (US); **Brian Schmitt**, Sacramento, CA
 (US)

(72) Inventors: **Caroline Winata**, Sacramento, CA
 (US); **Josh Daniels**, Sacramento, CA
 (US); **Brian Schmitt**, Sacramento, CA
 (US)

(**) Term: **15 Years**

(21) Appl. No.: **29/607,170**

(22) Filed: **Jun. 10, 2017**

(51) **LOC (11) Cl.** **16-01**

(52) **U.S. Cl.**
USPC **D16/215**

(58) **Field of Classification Search**
 USPC D16/200, 202–206, 214–216, 218, 219,
 D16/229, 239, 240, 242, 244; D14/175,
 D14/178, 184; D25/16; 52/27.5, 29,
 52/36.1; 348/373–376; 396/2, 3, 5, 419,
 396/427, 429, 535, 539–541
 CPC G03B 15/00; G03B 15/03; G03B 15/06;
 G03B 17/02; G03B 17/04; G03B 17/53;
 G03B 17/56; G03B 19/04; H04N 5/2251;
 H04N 5/2252; H04N 5/2253; H04N
 5/2254; H04N 2101/00

See application file for complete search history.

(56) **References Cited**

U.S. PATENT DOCUMENTS

D228,578 S	*	10/1973	Glaros et al.	D16/214
D421,446 S	*	3/2000	Tringali	396/5
D433,695 S	*	11/2000	Smart	D16/215
D647,938 S	*	11/2011	Geddes	D16/215
D692,474 S	*	10/2013	Thorpe	D16/215
D705,445 S	*	5/2014	Bolos	D25/16
D721,757 S	*	1/2015	Shepard	D16/214
D727,992 S	*	4/2015	Tu	D16/215
D731,575 S	*	6/2015	Moss	D16/215
D752,127 S	*	3/2016	Inagaki	D16/215
D782,559 S	*	3/2017	Sebring	D16/215
D785,694 S	*	5/2017	Fujii	D16/214

* cited by examiner

Primary Examiner — Ramzi S Almatrahi
 (74) *Attorney, Agent, or Firm* — O’Banion & Ritchey
 LLP; John P. O’Banion

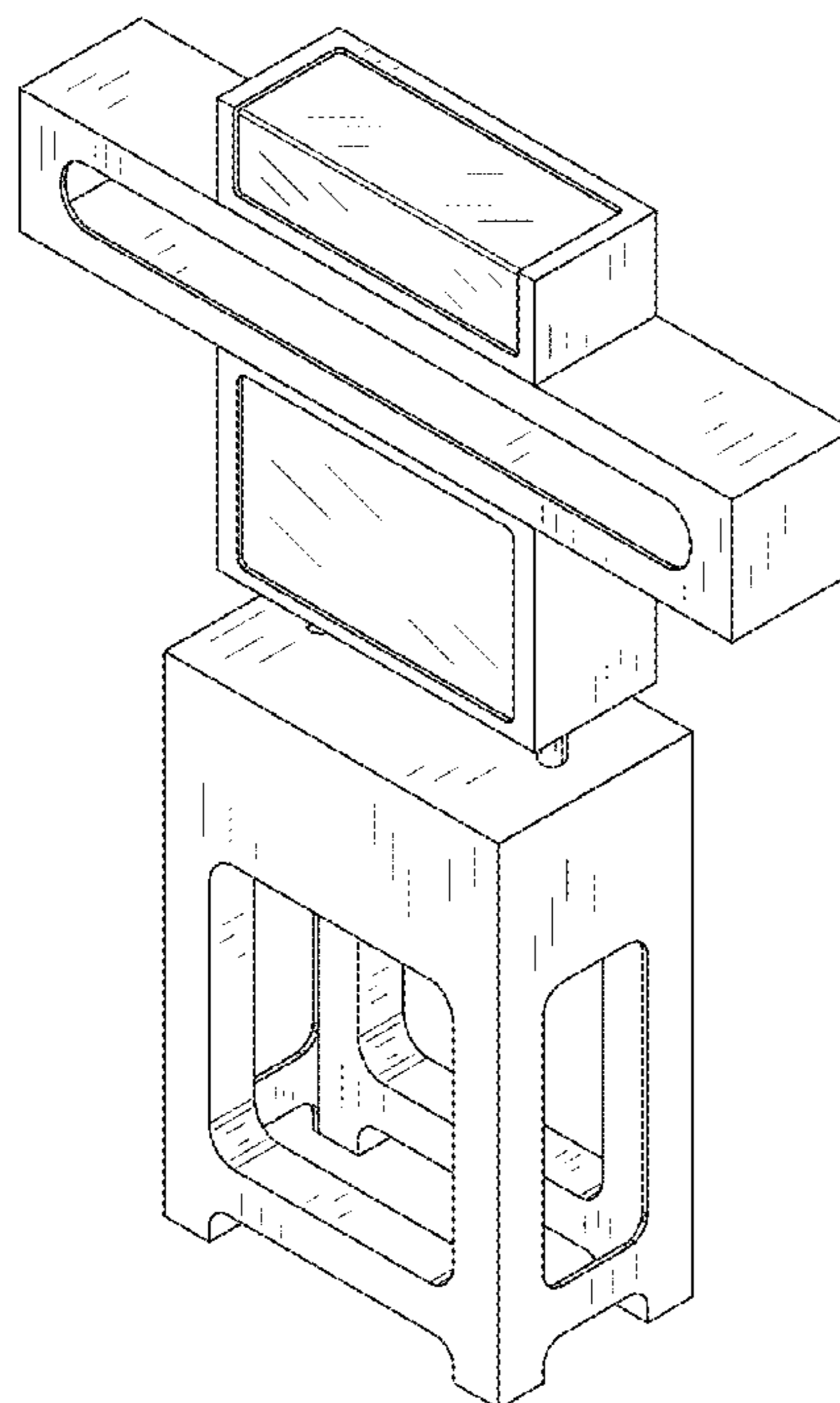
(57) **CLAIM**

The ornamental design for a photo booth, as shown and described.

DESCRIPTION

FIG. 1 is a perspective view of a photo booth showing our design.
 FIG. 2 is a front elevational view thereof.
 FIG. 3 is a rear elevational thereof.
 FIG. 4 is a right side elevational view thereof, the left side elevational view being a mirror image thereof.
 FIG. 5 is a bottom plan view thereof; and,
 FIG. 6 is a top plan view thereof.

1 Claim, 3 Drawing Sheets



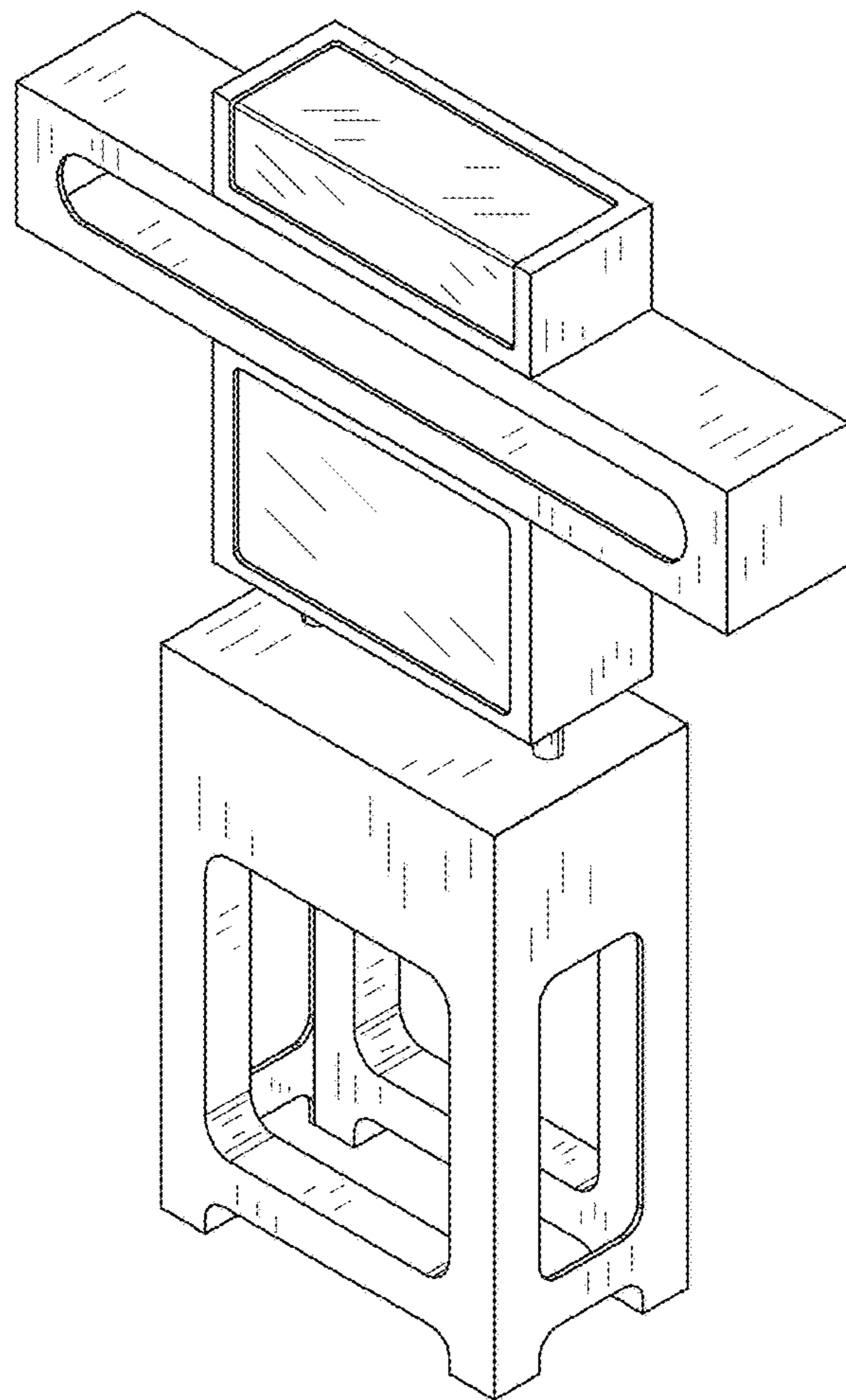


FIG. 1

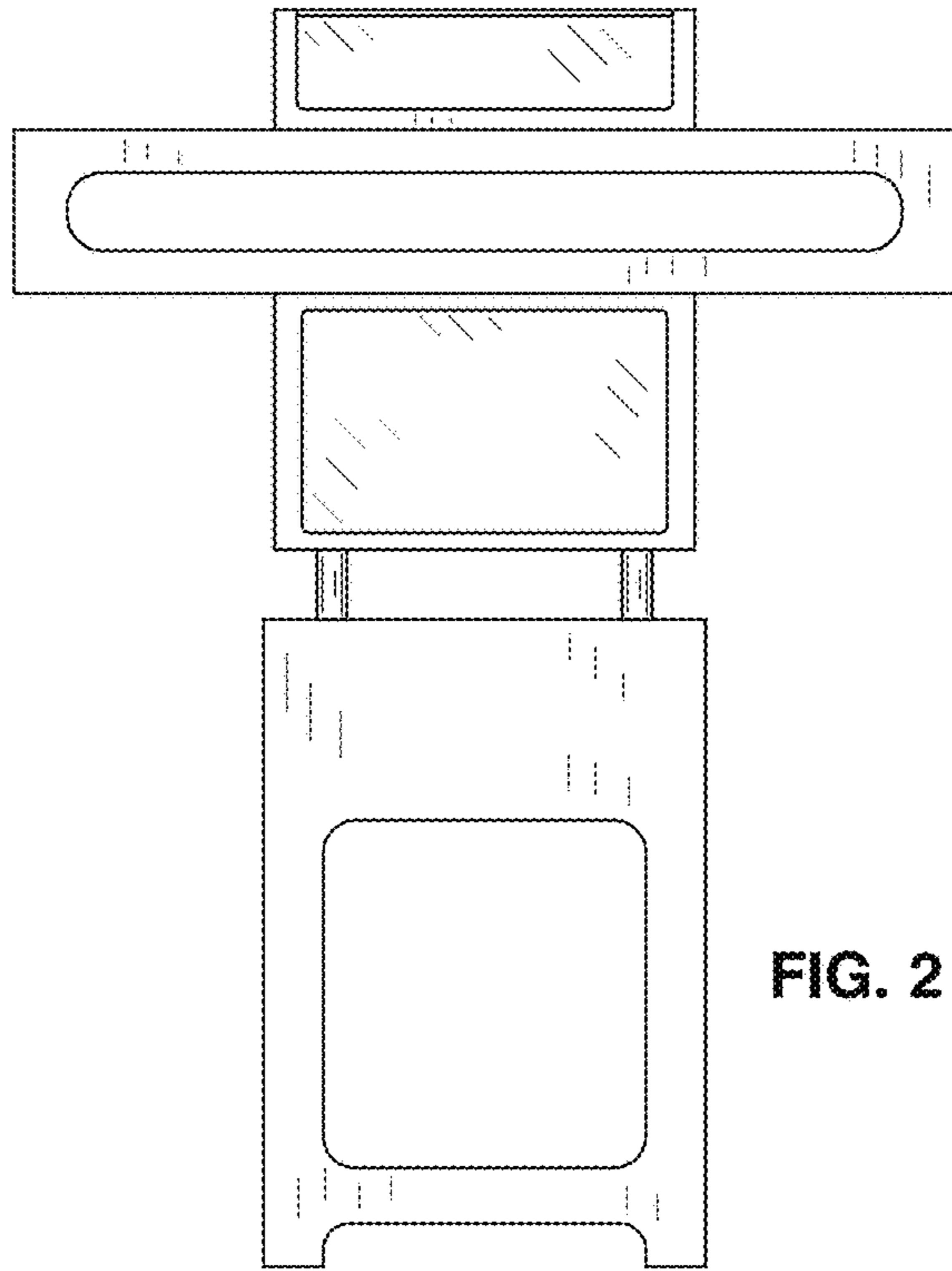


FIG. 2

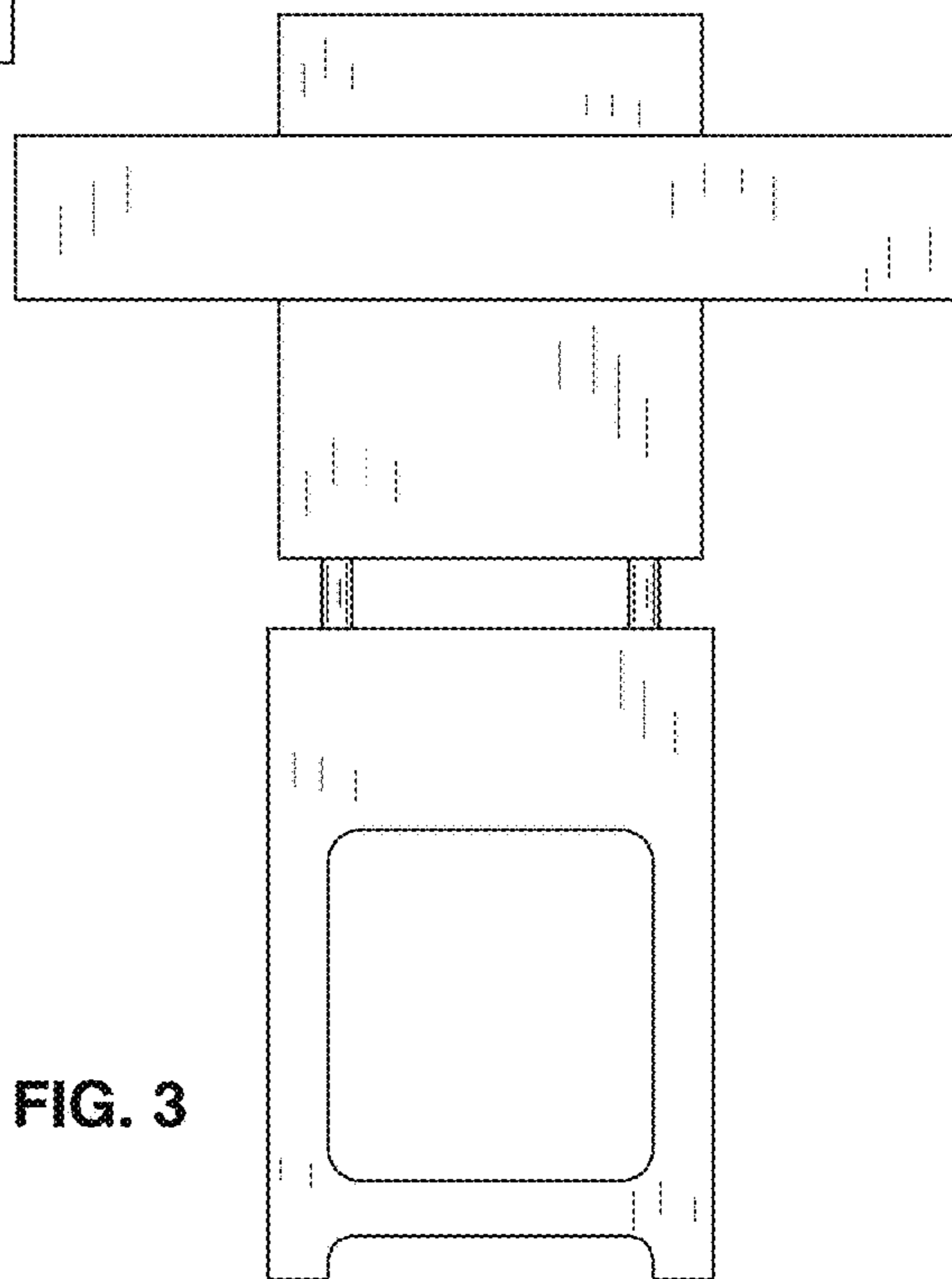


FIG. 3

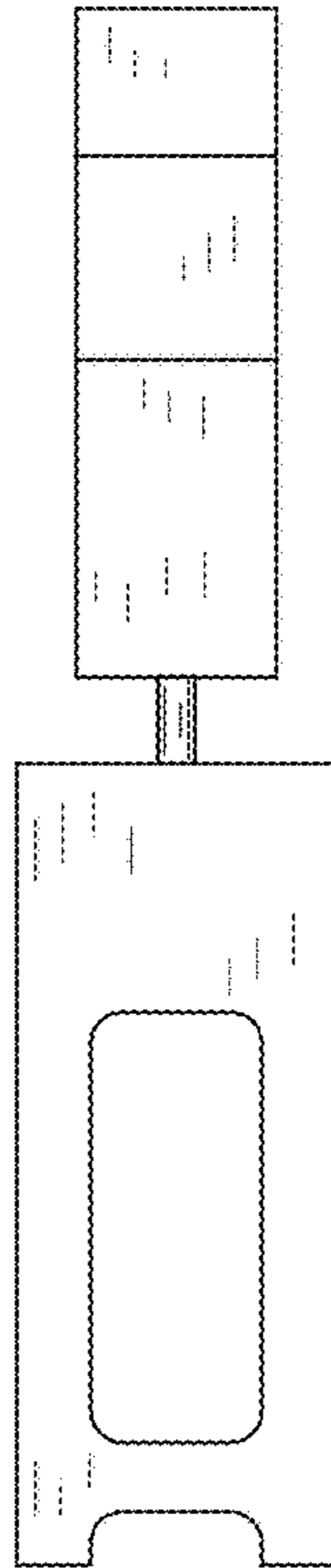


FIG. 4

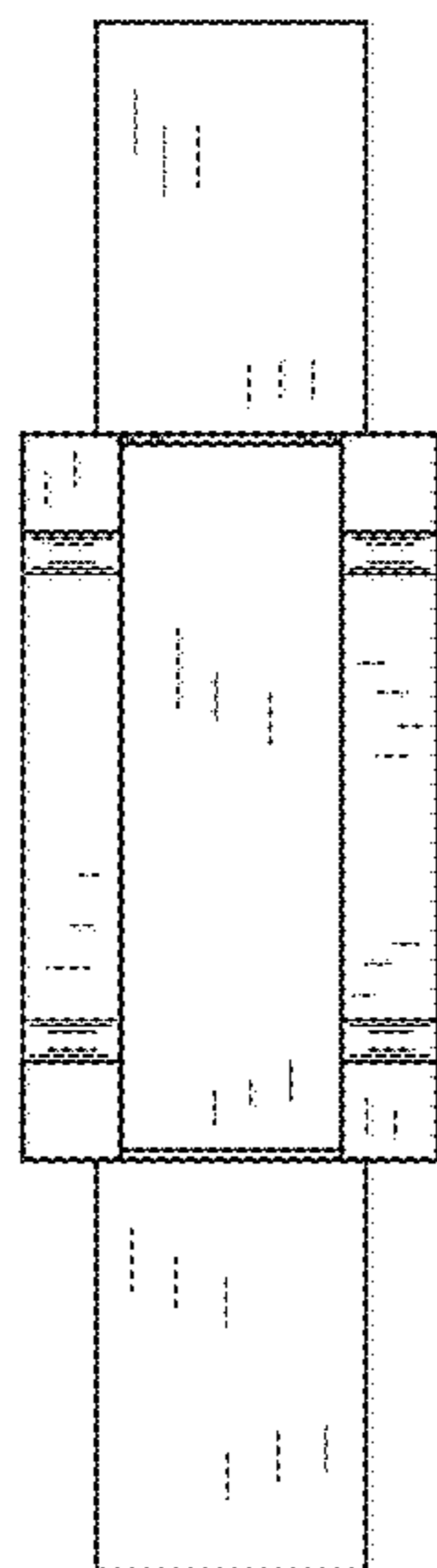


FIG. 5

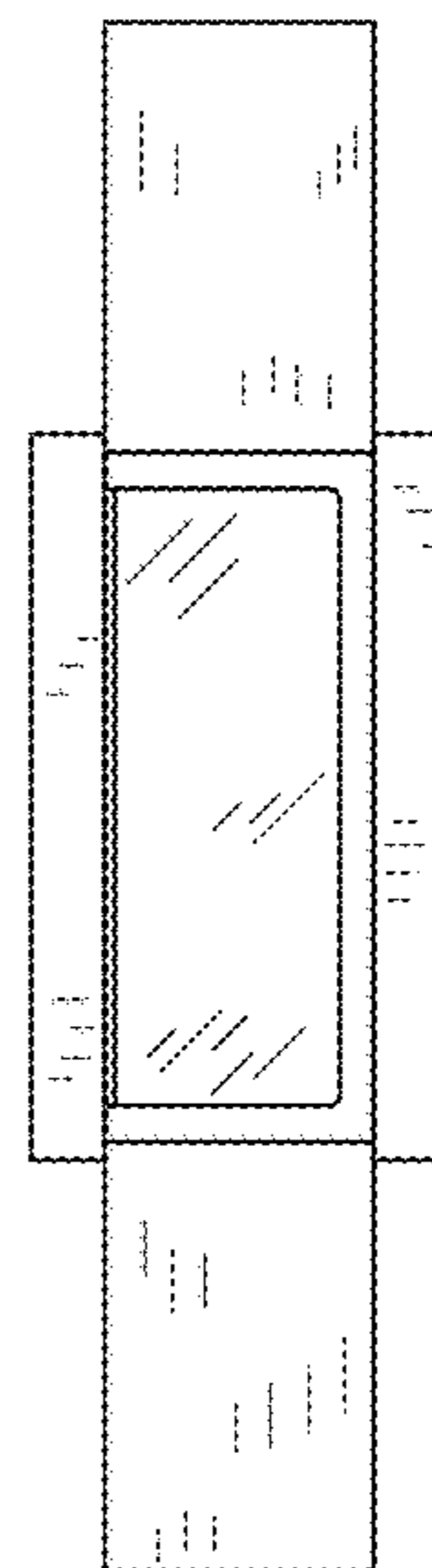


FIG. 6