



US00D849102S

(12) **United States Design Patent** (10) **Patent No.:** **US D849,102 S**  
**Marx** (45) **Date of Patent:** **\*\* \*May 21, 2019**

(54) **VIDEO CENTRATION APPARATUS** D505,439 S \* 5/2005 Liiv ..... D16/202  
7,646,425 B2 \* 1/2010 Bohaker ..... H04N 1/00127  
348/156  
(71) Applicant: **Carl Zeiss Vision International GmbH**, Aalen (DE) D685,015 S \* 6/2013 Wang ..... D16/202  
D687,082 S \* 7/2013 Wang ..... D16/202  
(72) Inventor: **Matthias Marx**, Gschwend (DE) D711,949 S \* 8/2014 Koenck ..... D16/130  
D721,757 S \* 1/2015 Shepard ..... D16/214  
D745,586 S \* 12/2015 Chou ..... D16/202  
(73) Assignee: **Carl Zeiss Vision International GmbH**, Aalen (DE) D755,876 S \* 5/2016 Moss ..... D16/214  
2013/0215322 A1 \* 8/2013 Haler ..... H04N 5/232  
348/373

(\*) Notice: This patent is subject to a terminal disclaimer.

\* cited by examiner

(\*\*) Term: **15 Years**

Primary Examiner — Ramzi S Almatrahi

(21) Appl. No.: **29/611,709**

(74) Attorney, Agent, or Firm — Ewers & Hasselmann PLLC

(22) Filed: **Jul. 25, 2017**

(30) **Foreign Application Priority Data**

Jan. 27, 2017 (EM) ..... 003718162-0003  
Jan. 27, 2017 (EM) ..... 003718162-0006

(51) **LOC (11) Cl.** ..... **16-01**

(52) **U.S. Cl.**  
USPC ..... **D16/214**; D16/202

(58) **Field of Classification Search**  
USPC ..... D16/200, 202–206, 208, 209, 218, 219;  
348/294, 373–376; 359/826; 396/6, 301,  
396/529, 535, 539–541  
CPC ..... G03B 15/03; G03B 17/02; G03B 17/04;  
G03B 17/56; G03B 19/04; H04N 5/2251;  
H04N 5/2252; H04N 5/2253; H04N  
5/2254; H04N 2101/00  
See application file for complete search history.

(56) **References Cited**

U.S. PATENT DOCUMENTS

5,808,663 A \* 9/1998 Okaya ..... H04N 7/142  
348/14.1  
D475,385 S \* 6/2003 Christianson ..... D16/202

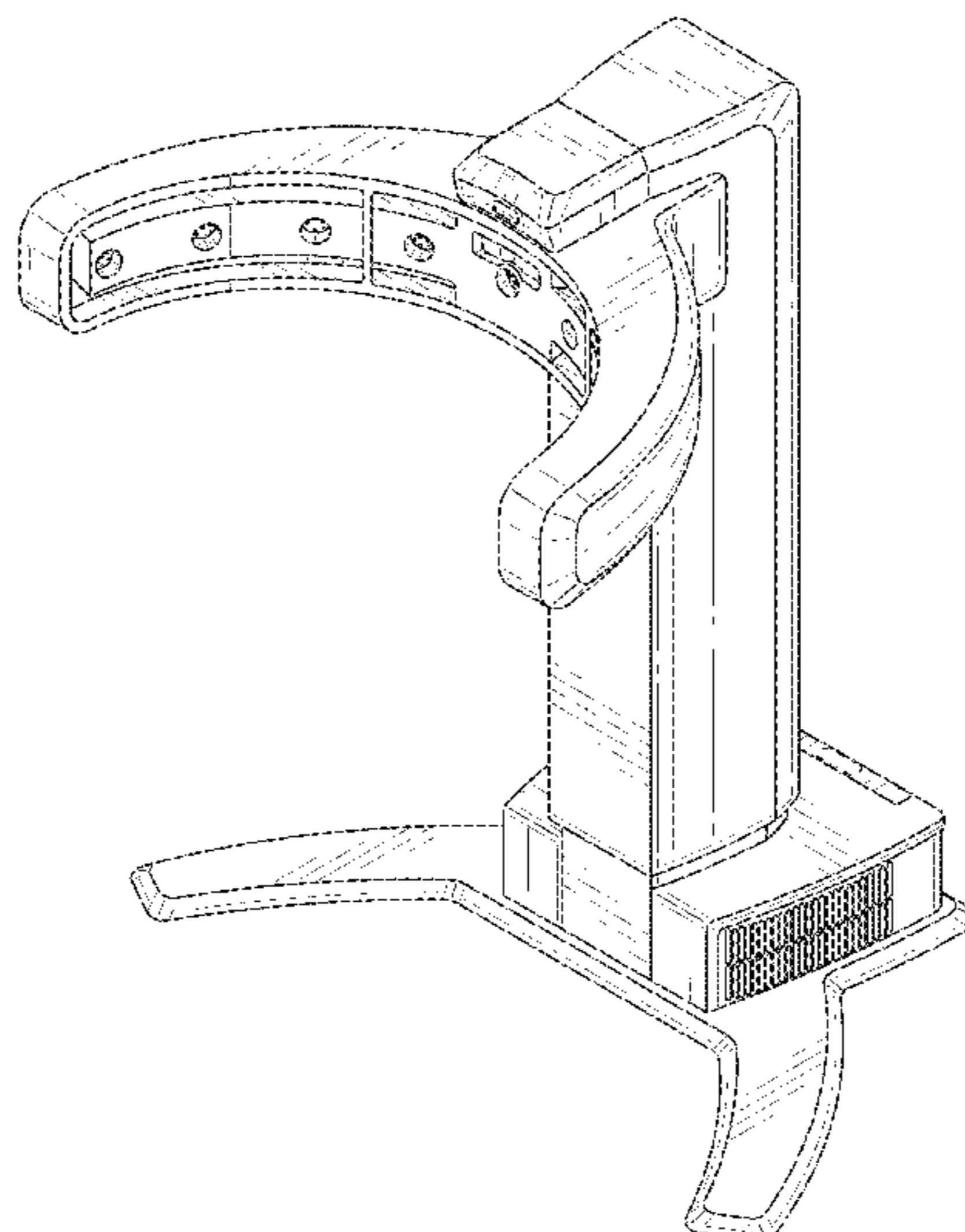
(57) **CLAIM**

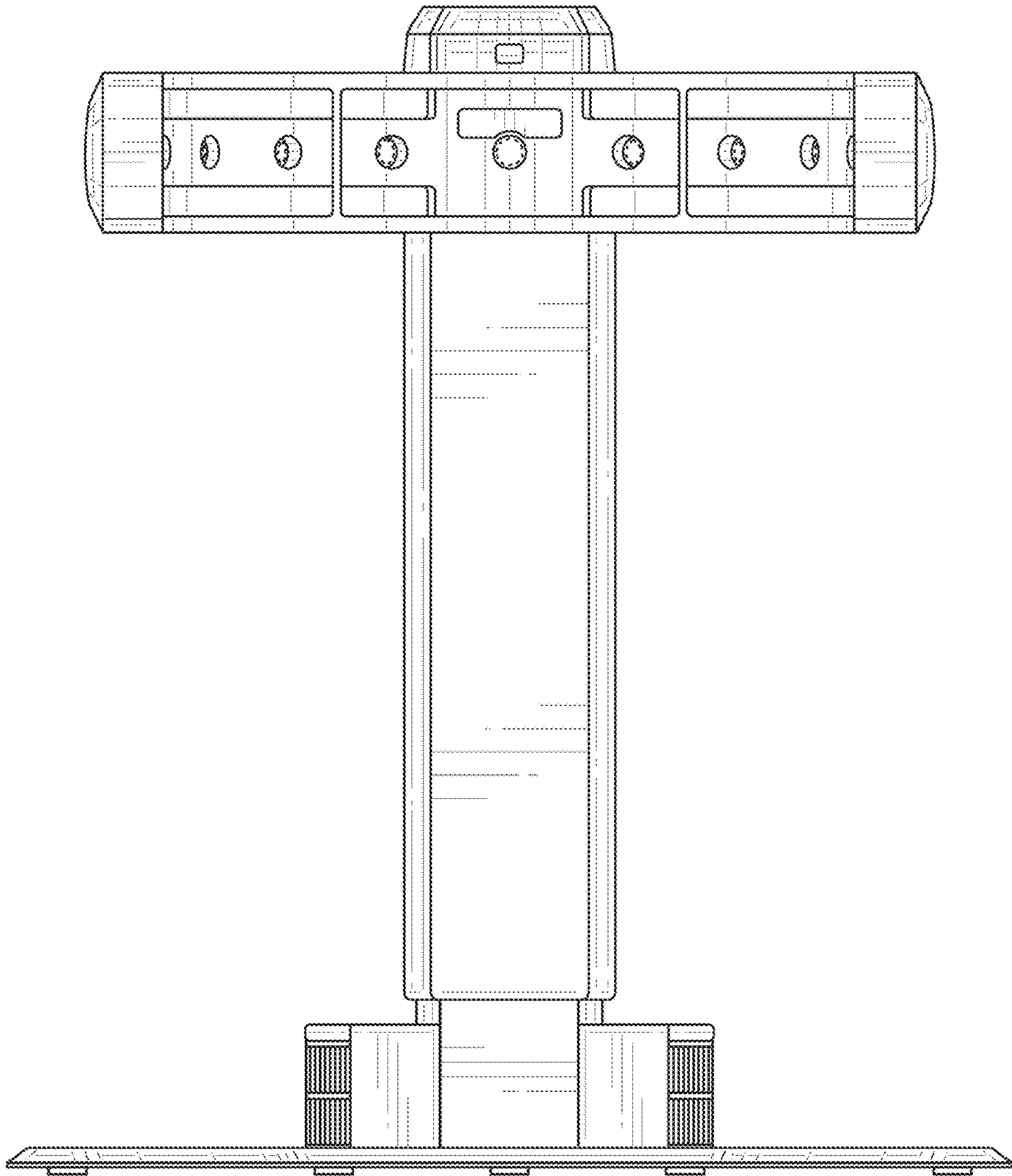
The ornamental design for a video centration apparatus, as shown and described.

**DESCRIPTION**

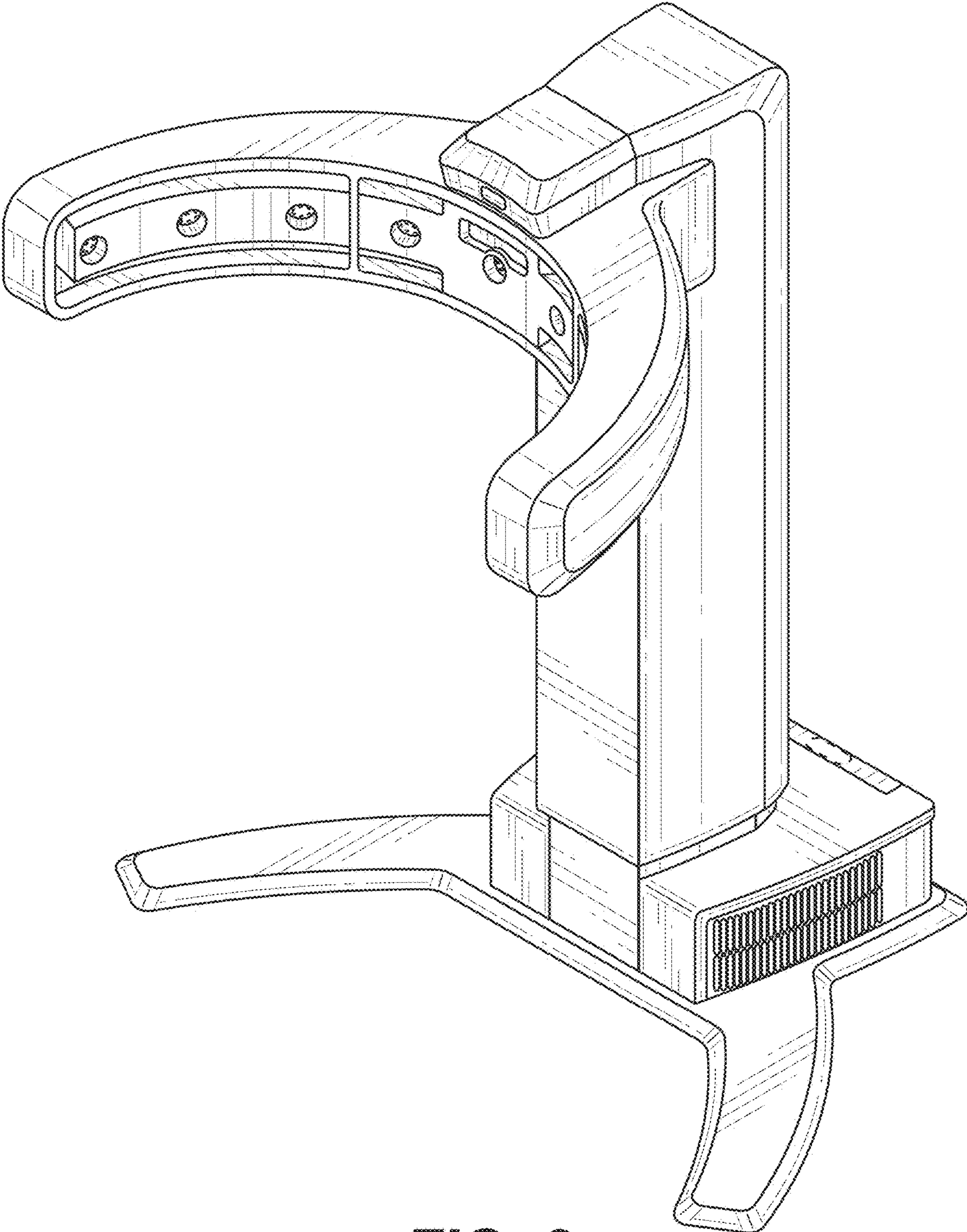
FIG. 1 is a front elevation view of a video centration apparatus;  
FIG. 2 is a front perspective view thereof;  
FIG. 3 is a left side elevation view thereof;  
FIG. 4 is a right side elevation view thereof;  
FIG. 5 is a rear elevation view thereof;  
FIG. 6 is a top plan view thereof; and,  
FIG. 7 is a bottom plan view thereof.  
The broken lines depict portions of the video centration apparatus in which the design is embodied that form no part of the claimed design.

**1 Claim, 7 Drawing Sheets**

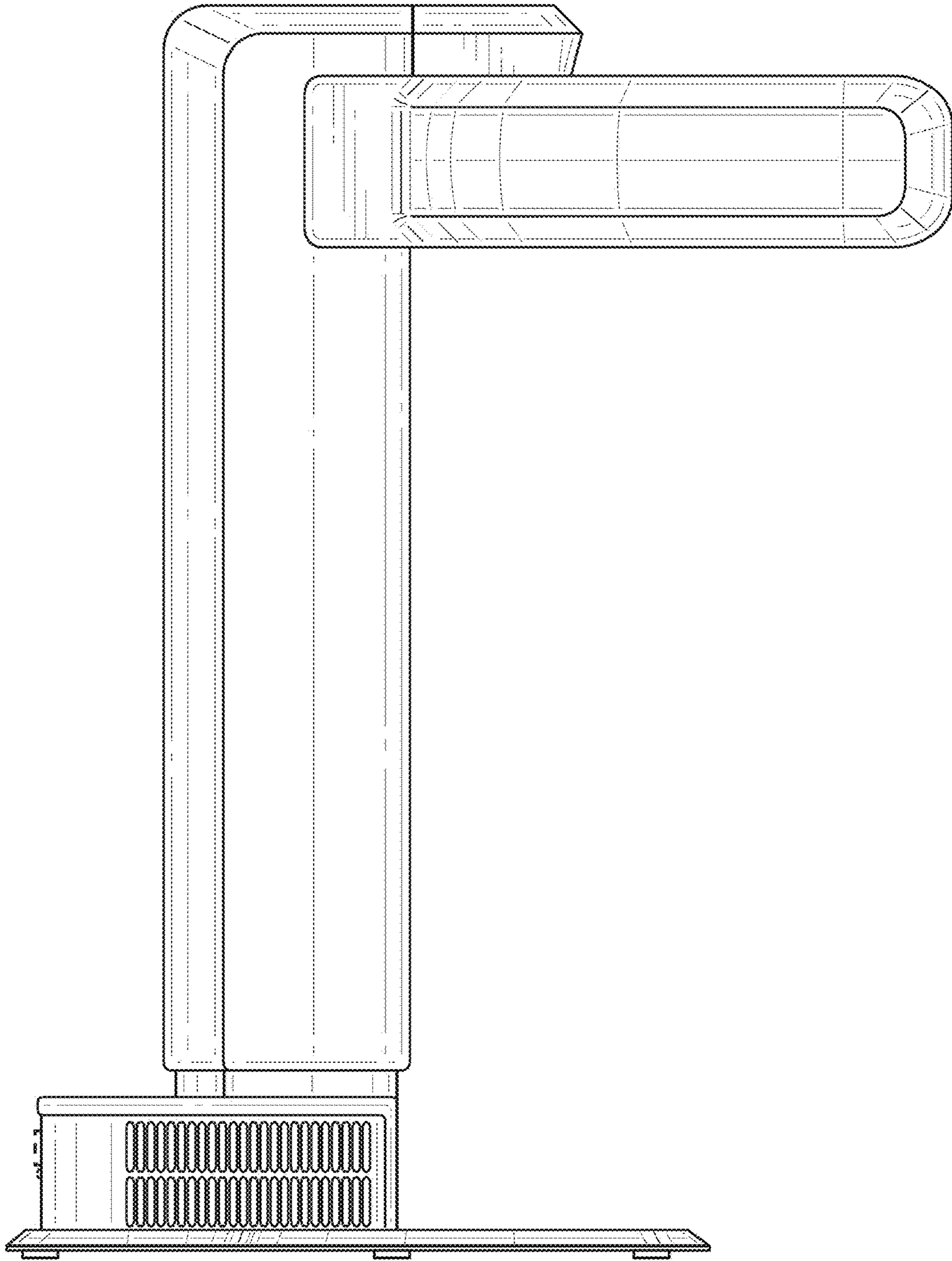




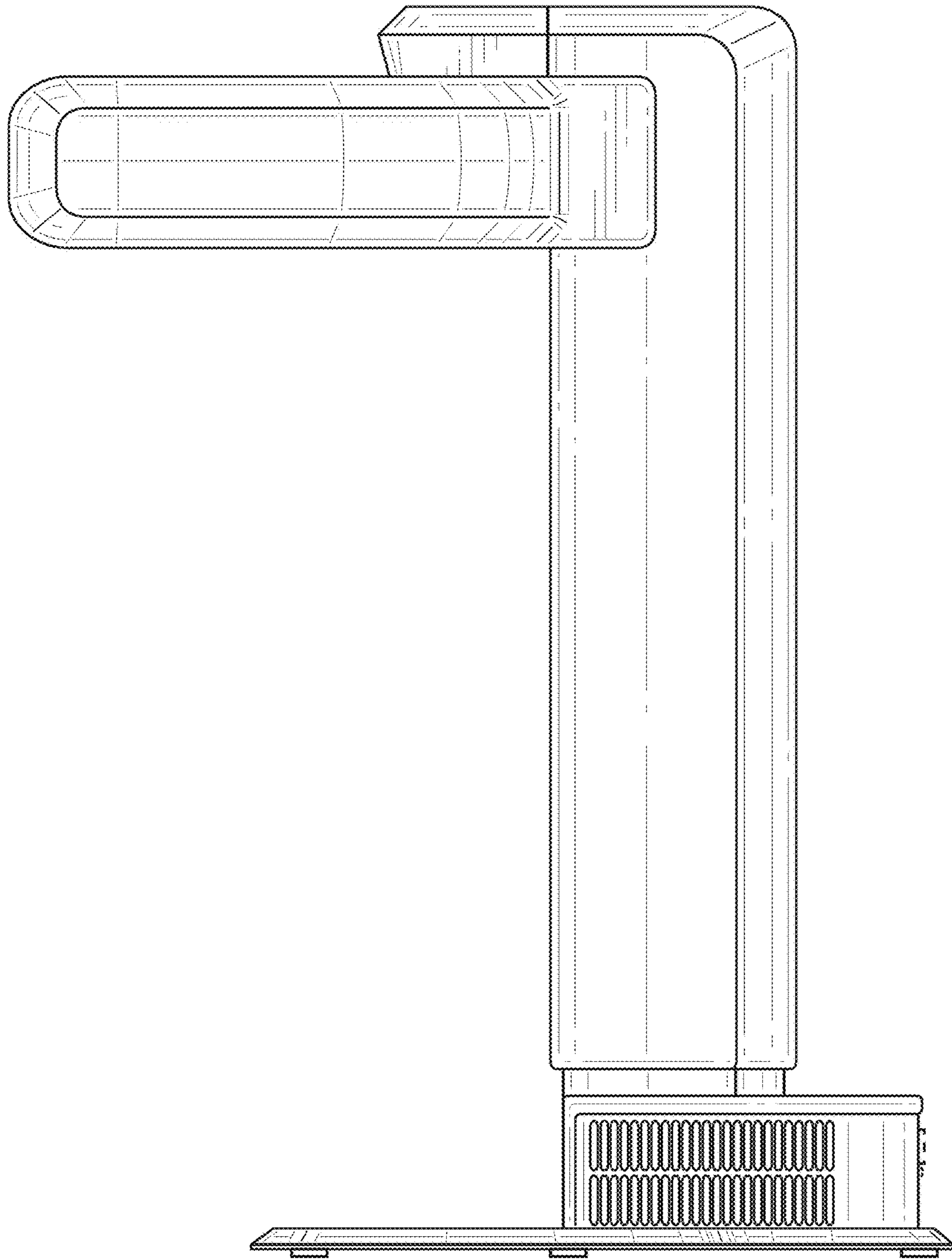
**FIG. 1**



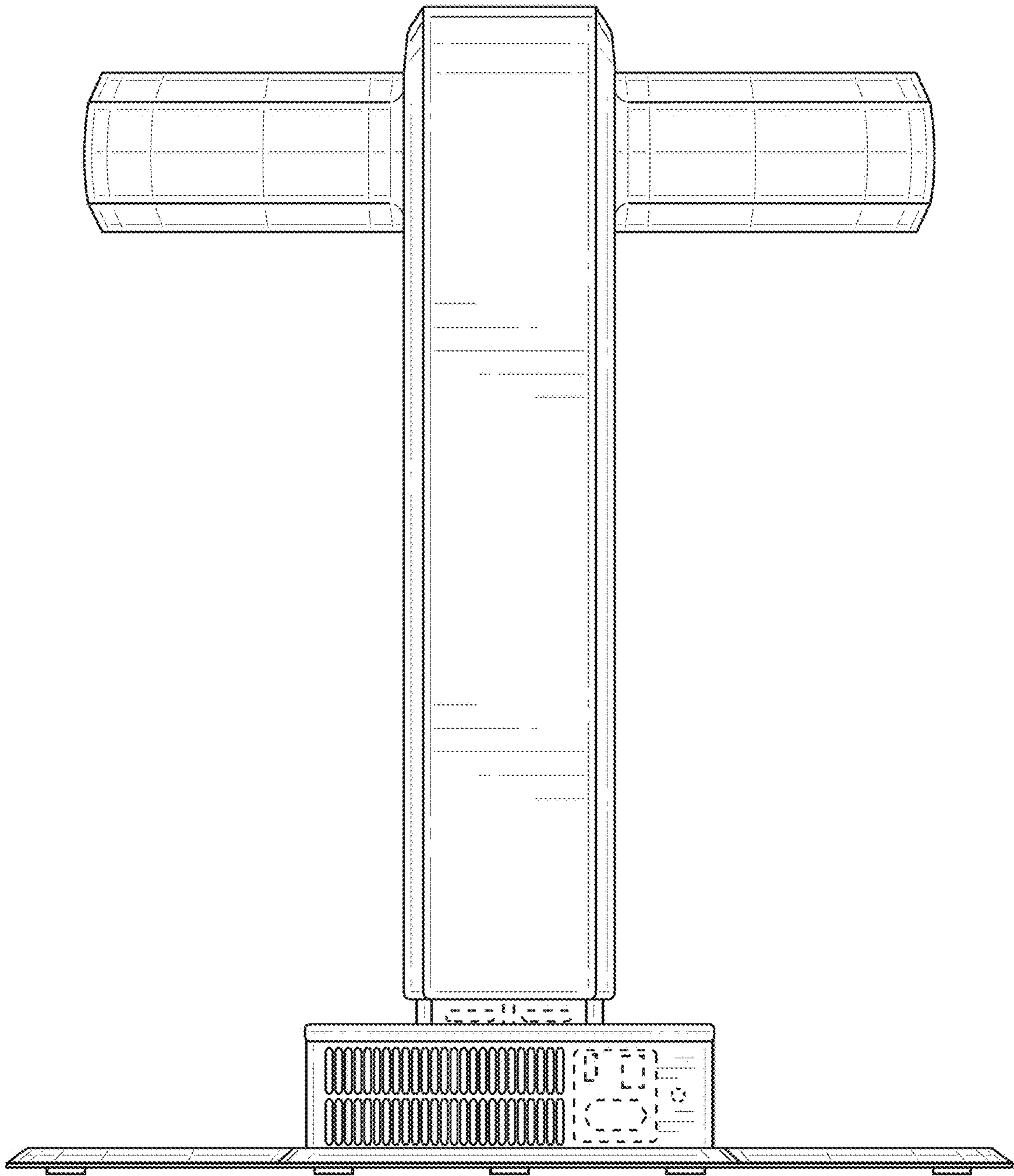
**FIG. 2**



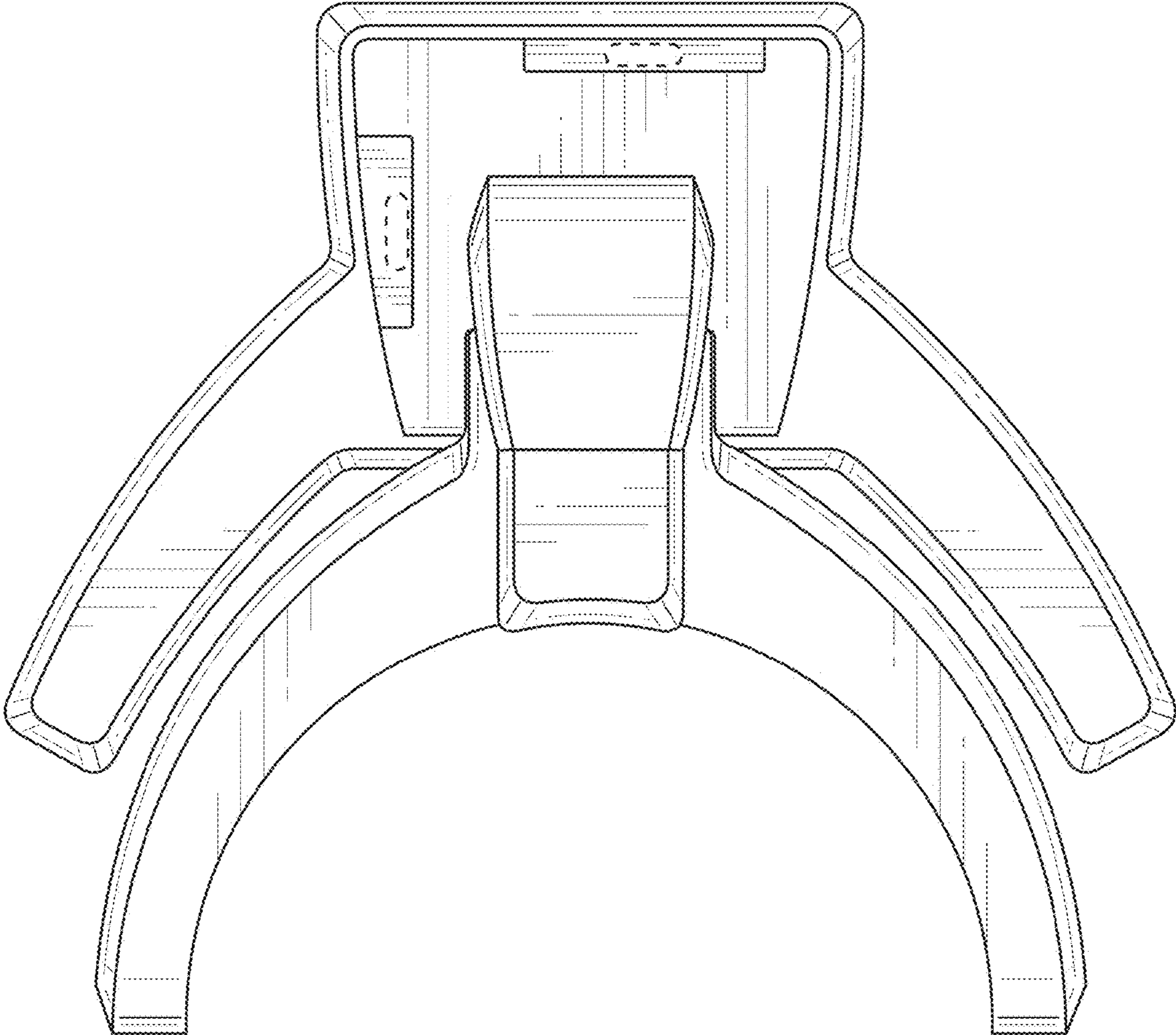
**FIG. 3**



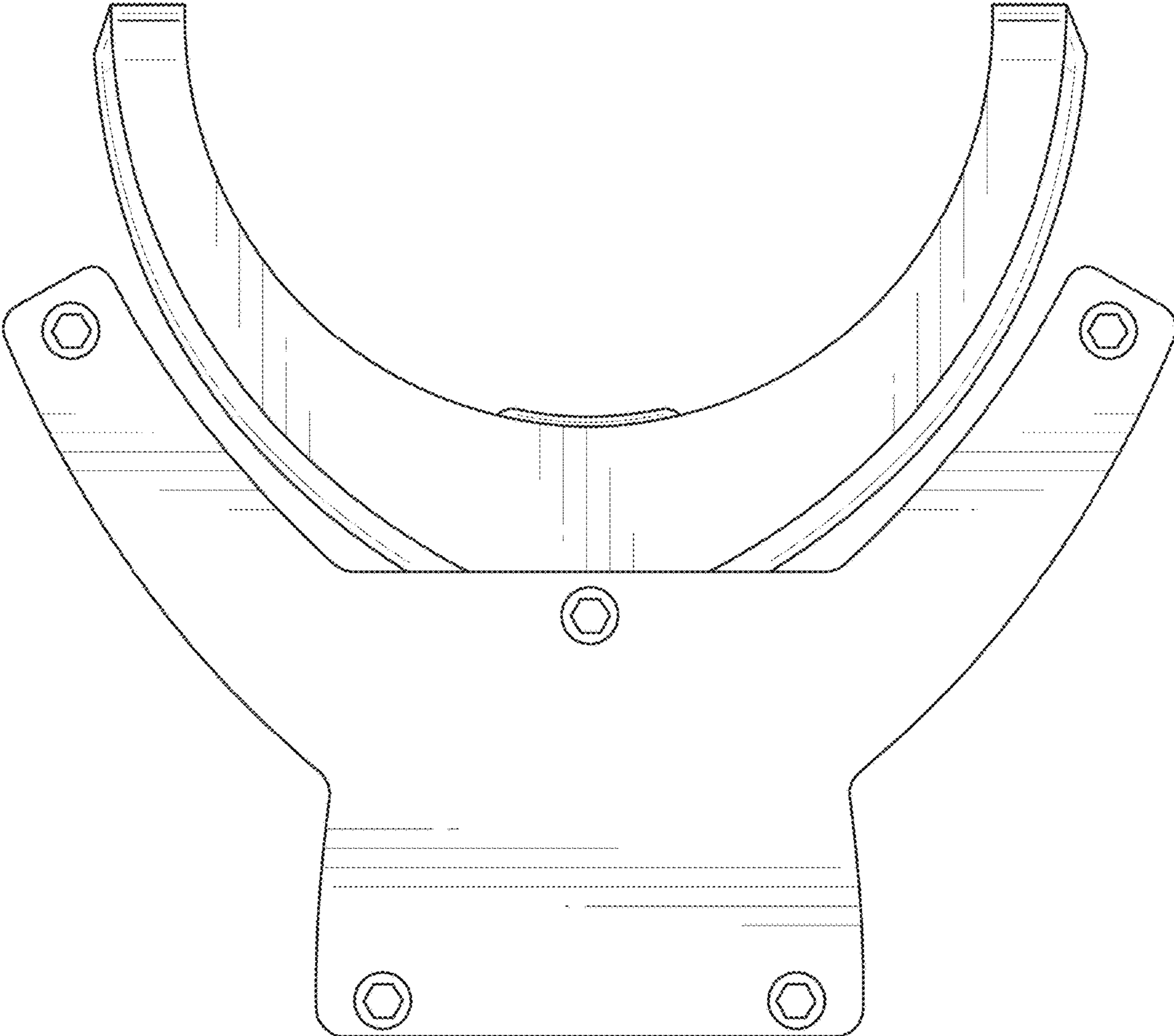
**FIG. 4**



**FIG. 5**



**FIG. 6**



**FIG. 7**