



US00D849100S

(12) **United States Design Patent**  
**Hsu et al.**

(10) **Patent No.:** **US D849,100 S**  
(45) **Date of Patent:** **\*\* May 21, 2019**

(54) **PANORAMIC VIRTUAL REALITY CAMERA**

(71) Applicant: **Facebook, Inc.**, Menlo Park, CA (US)

(72) Inventors: **Joyce Hsu**, Oakland, CA (US); **Jussi Antero Timonen**, Burbank, CA (US); **James Gilbert Ammon**, San Jose, CA (US); **Oscar Karlsson**, Stockholm (SE); **Casper Asmussen**, Malmö (SE); **Felix Antoine**, Stockholm (SE); **Zachary Ian Howard**, San Francisco, CA (US); **Michael Beadle**, San Jose, CA (US)

(73) Assignee: **Facebook, Inc.**, Menlo Park, CA (US)

(\*\*) Term: **15 Years**

(21) Appl. No.: **29/600,653**

(22) Filed: **Apr. 13, 2017**

(51) **LOC (11) Cl.** ..... **16-01**

(52) **U.S. Cl.**

USPC ..... **D16/210**

(58) **Field of Classification Search**

USPC ..... D16/200, 202–210, 214, 218, 219, 242;  
348/14.01–14.06, 143, 148, 151,  
348/373–376; 396/419, 427, 535,  
396/539–541; 248/176.1, 187.1, 346.5;  
224/908

CPC ..... G03B 17/02; G03B 19/04; G03B 17/56;  
G03B 17/04; G03B 15/03; H04N 5/2251;  
H04N 5/2252; H04N 5/2253; H04N  
5/2254; H04N 2007/145; H04N 7/141;  
H04N 7/142; H04N 7/147; H04N 7/148;  
H04N 7/15; H04N 7/152

See application file for complete search history.

(56) **References Cited**

**U.S. PATENT DOCUMENTS**

3,916,097 A \* 10/1975 Imai ..... G08B 13/19619  
348/151  
D493,479 S \* 7/2004 Yoshikawa ..... D16/202

D496,676 S \* 9/2004 Yoshikawa ..... D16/202  
7,463,280 B2 \* 12/2008 Steuart, III ..... G03B 35/08  
348/36  
D700,232 S \* 2/2014 Ramsay ..... D16/207  
D733,208 S \* 6/2015 Tzarnotzky ..... D16/207  
D741,932 S \* 10/2015 Huang ..... D16/202  
D745,076 S \* 12/2015 Pfeil ..... D16/207  
D757,835 S \* 5/2016 Tabuchi ..... D16/203  
D768,750 S \* 10/2016 Pfeil ..... D16/207  
D792,496 S \* 7/2017 Meyer ..... D16/207  
2011/0128349 A1 \* 6/2011 Theobald ..... H04N 5/23238  
348/36

(Continued)

**OTHER PUBLICATIONS**

GoPro Odyssey, six pages, [online] [retrieved Jun. 22, 2016],  
Retrieved from the internet <<https://gopro.com/odyssey>>.

(Continued)

*Primary Examiner* — Ramzi S Almatrahi

(74) *Attorney, Agent, or Firm* — Fenwick & West LLP

(57)

**CLAIM**

We claim the ornamental design for a panoramic virtual reality camera, as shown and described.

**DESCRIPTION**

FIG. 1 is an isometric view of an embodiment of a panoramic virtual reality camera.

FIG. 2 is a top view thereof.

FIG. 3 is a bottom view thereof.

FIG. 4 is a first side view thereof.

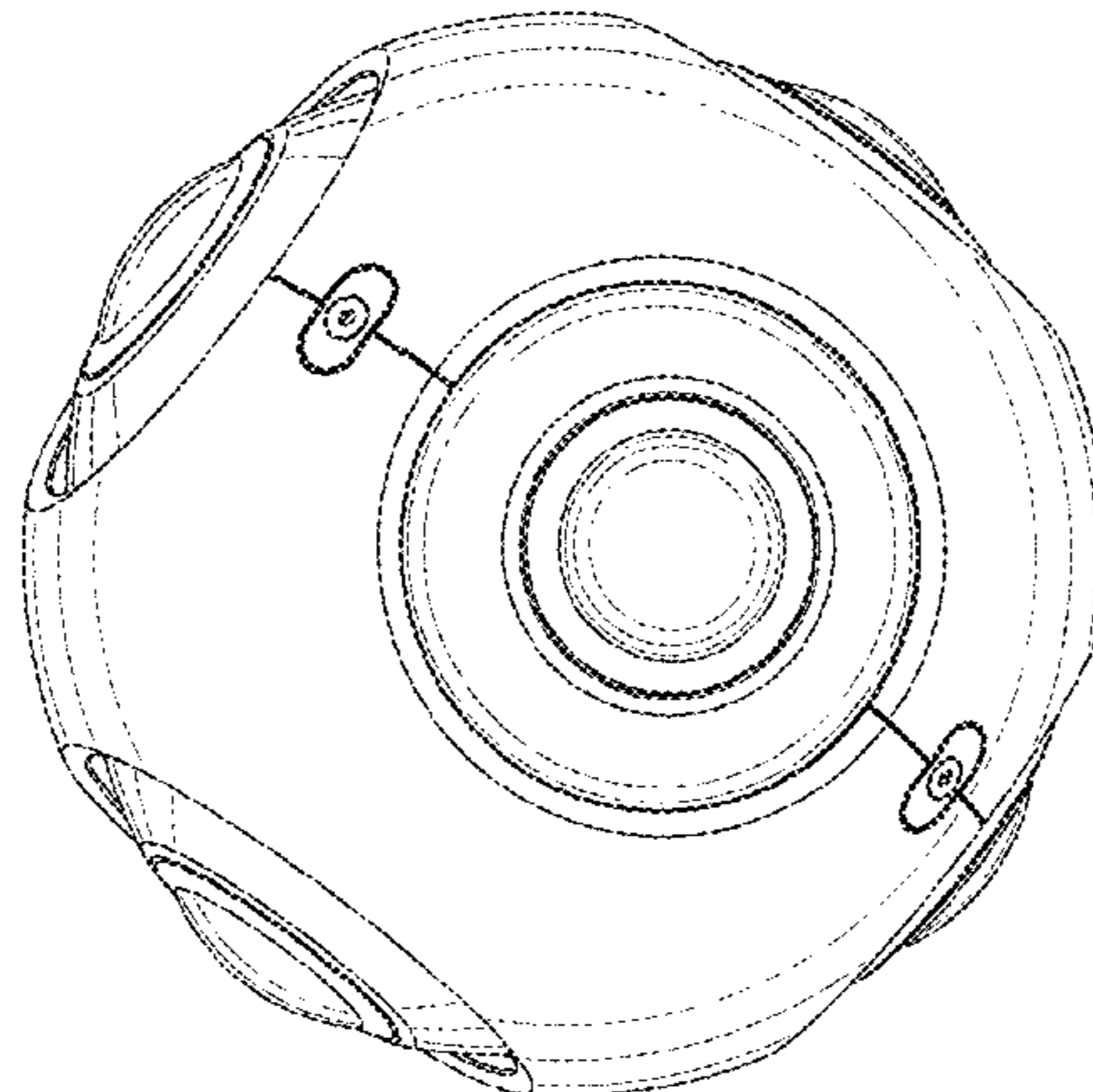
FIG. 5 is second side view thereof.

FIG. 6 is a third side view thereof; and,

FIG. 7 is a fourth side view thereof.

The broken lines depict portions of the panoramic virtual reality camera in which the design is embodied that form no part of the claimed design.

**1 Claim, 7 Drawing Sheets**



(56)

**References Cited**

U.S. PATENT DOCUMENTS

2013/0258102 A1\* 10/2013 Chen ..... G03B 17/02  
348/143

OTHER PUBLICATIONS

Jump—Google VR, five pages, [online] [retrieved Jun. 22, 2016], Retrieved from the internet <<https://vr.google.com/jump/>>.

Lee, Nicole, “Samsung unveils Project Beyond, a 3D-capturing camera for Gear VR,” engadget, Nov. 12, 2014, two pages, [online] [retrieved Jun. 22, 2016], Retrieved from the internet <<https://www.engadget.com/2014/11/12/samsung-project-beyond/>>.

Lytro Immerge, six pages, [online] [retrieved Jun. 22, 2016], Retrieved from the internet <<https://www.lytro.com/immerge#immergeDetails>>.

Nokia OZO: Virtual Reality Camera with 360degree audio and video capture, six pages, [online] [retrieved Jun. 22, 2016], Retrieved from the internet <<https://ozo.nokia.com/>>.

Technology—Jaunt, four pages, [online] [retrieved Jun. 22, 2016], Retrieved from the internet <<https://www.jauntvr.com/technology/>>.

\* cited by examiner

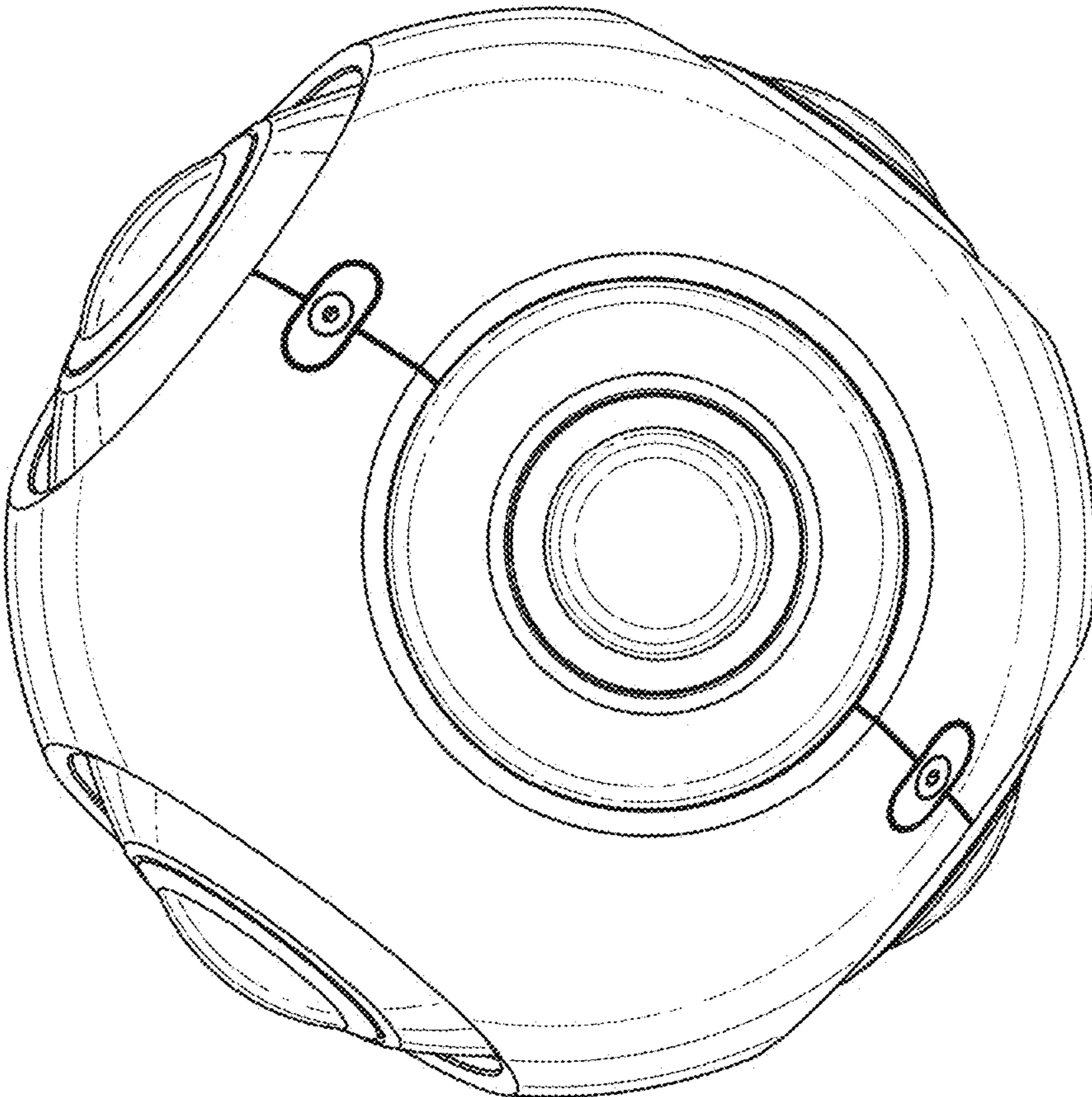


FIG. 1

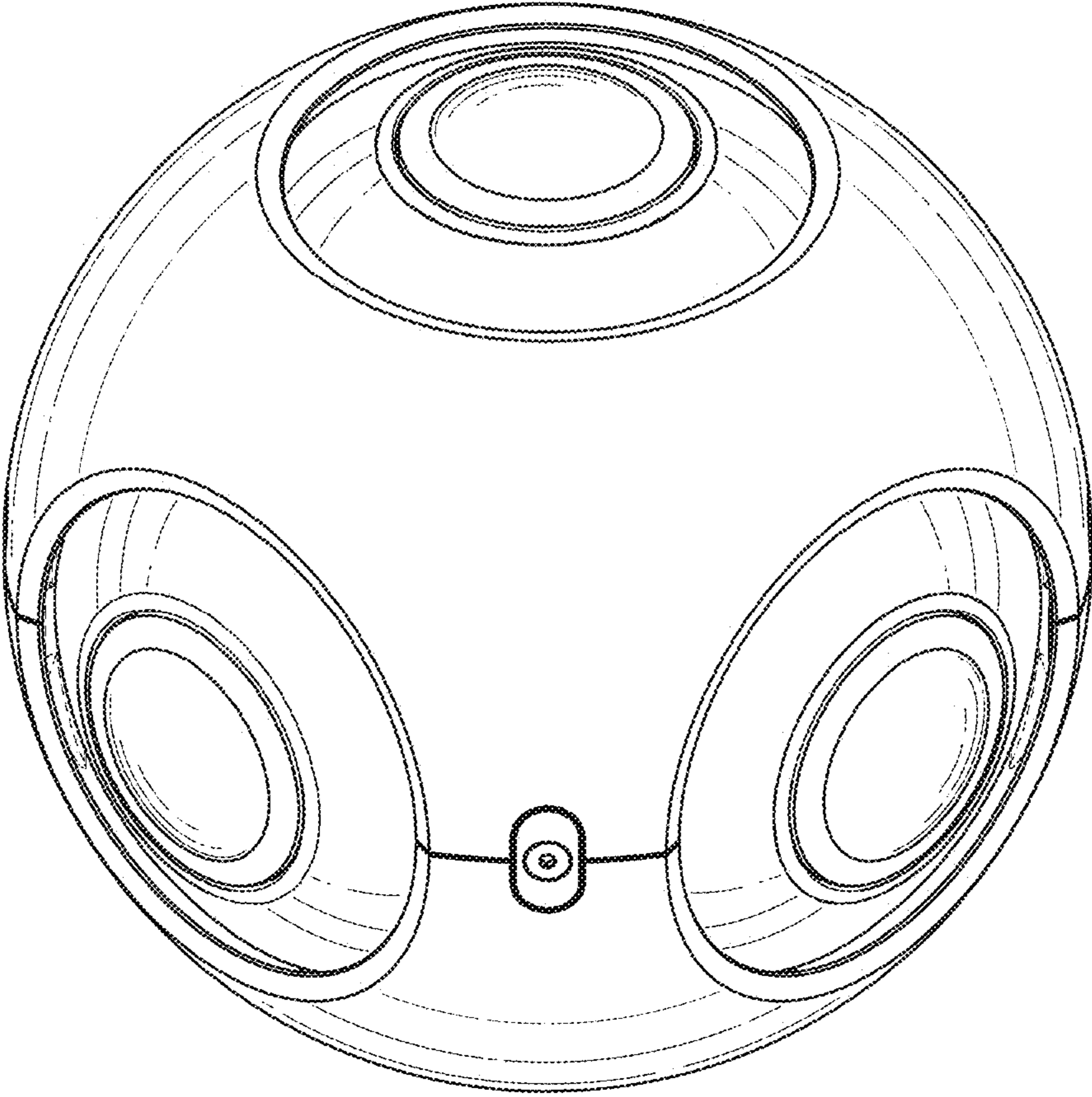


FIG. 2

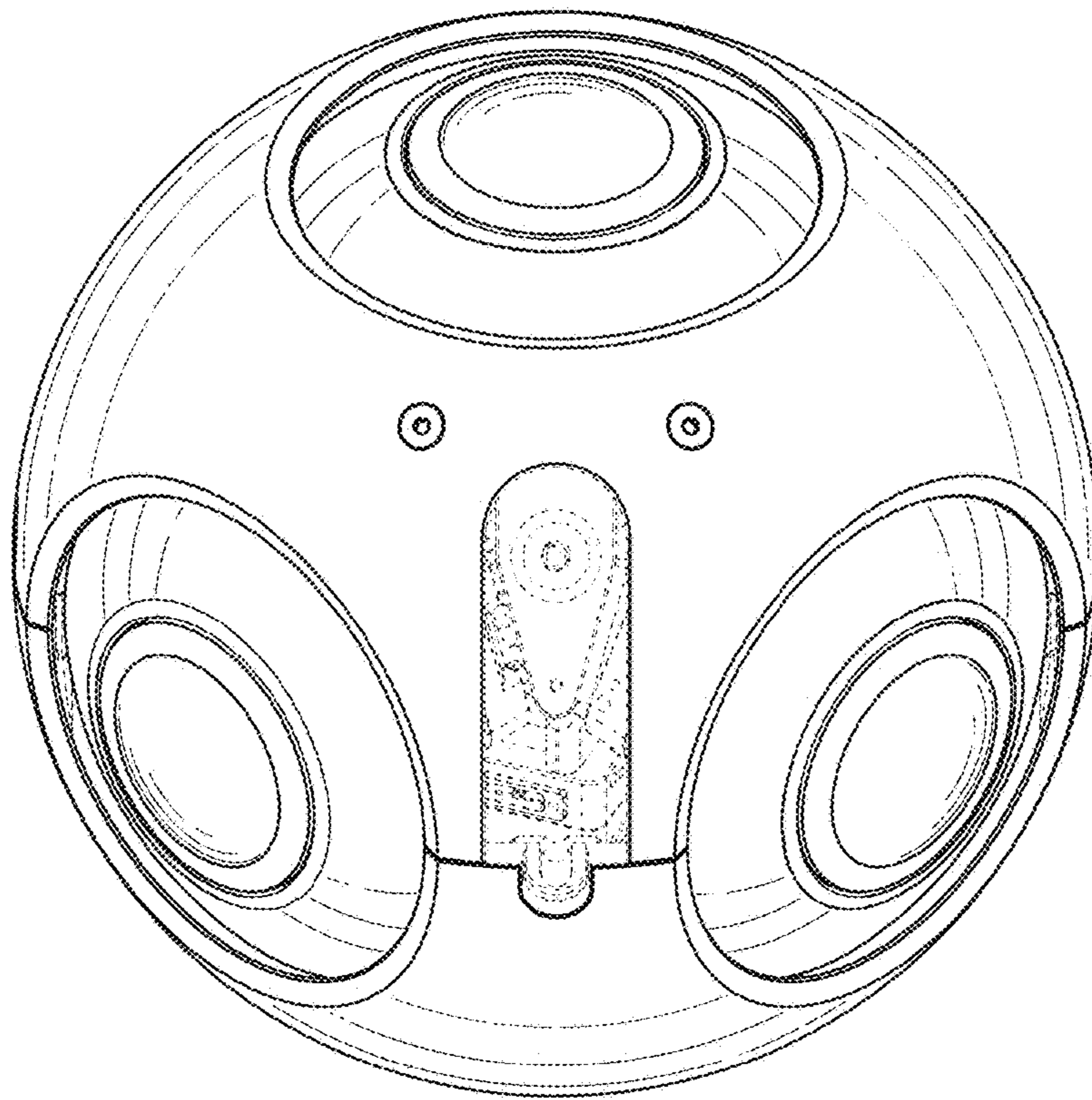


FIG. 3

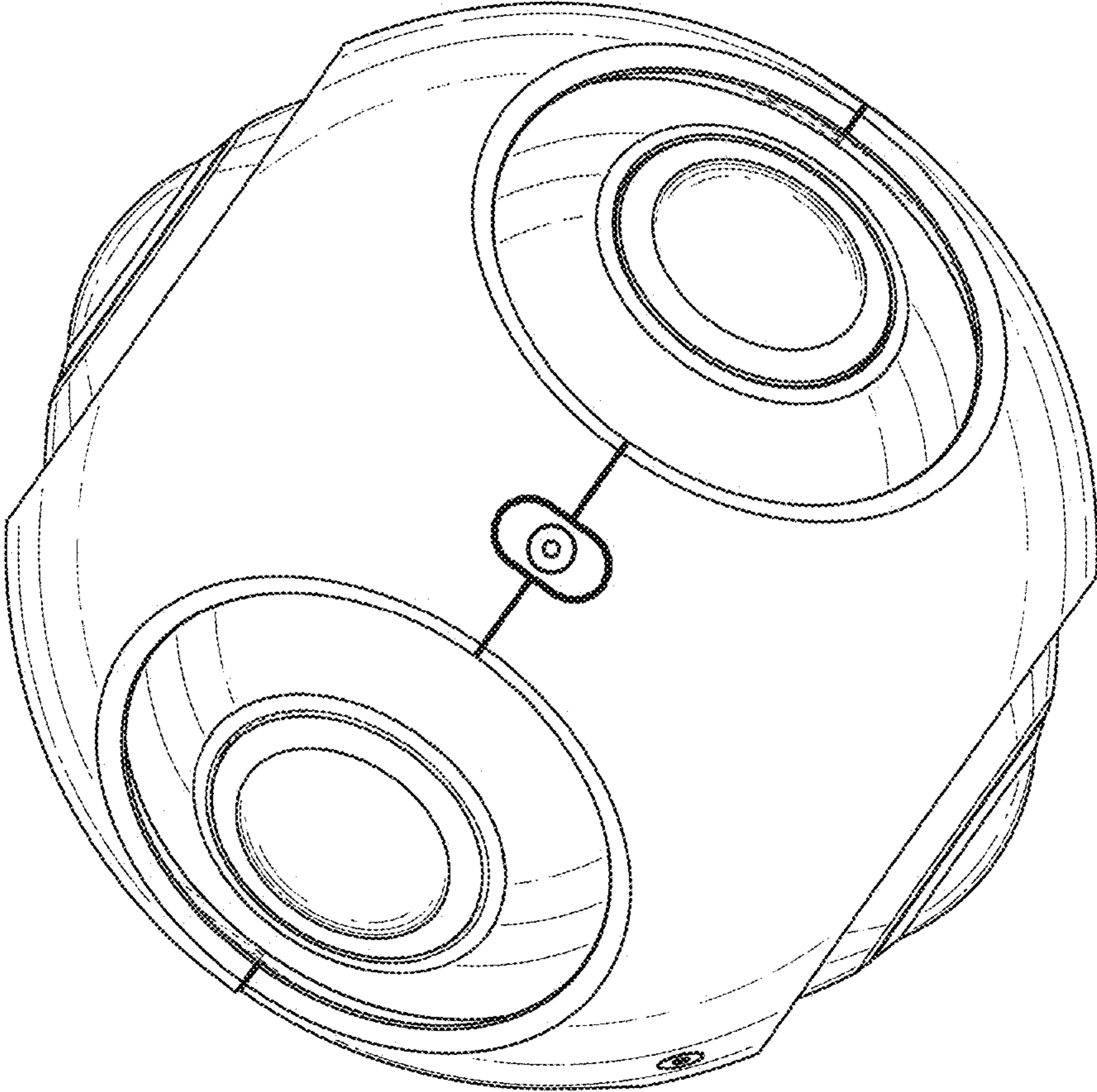


FIG. 4

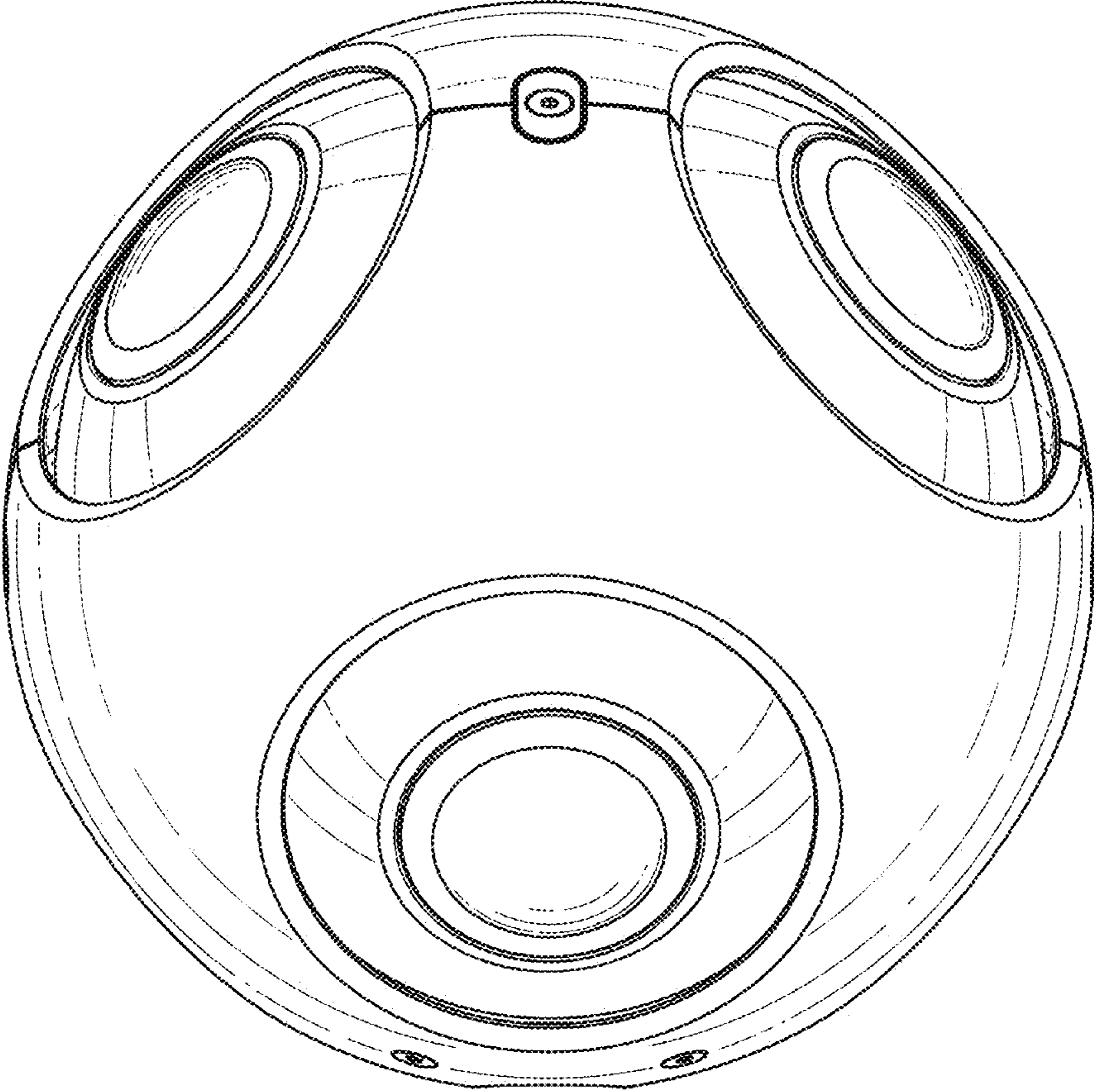


FIG. 5

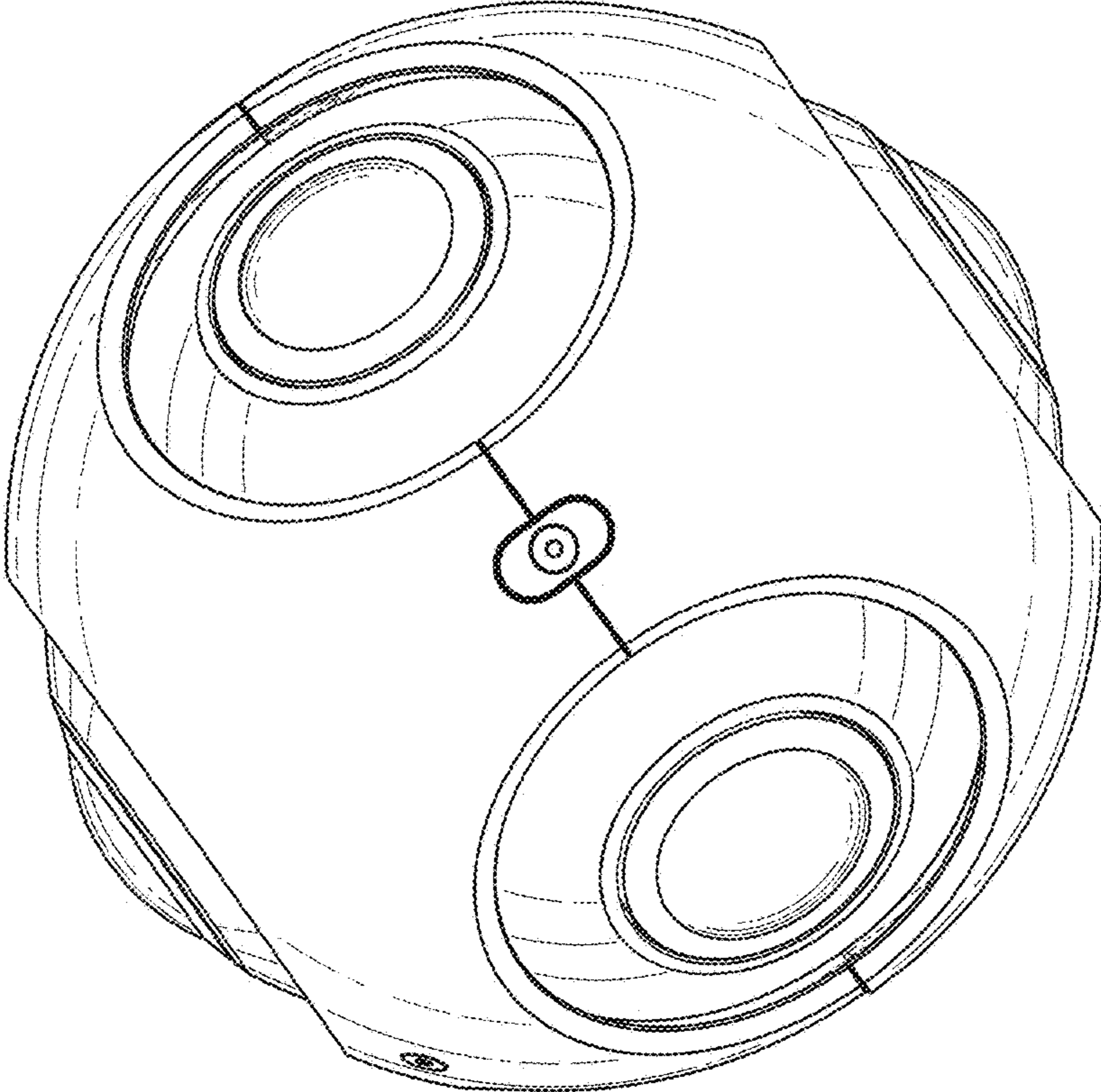


FIG. 6





FIG. 7