



US00D849099S

(12) **United States Design Patent** (10) **Patent No.:** **US D849,099 S**  
**Patrick et al.** (45) **Date of Patent:** **\*\* May 21, 2019**

- (54) **ACCESSORY SUPPORT CLIP FOR A MOBILE ELECTRONIC DEVICE**
- (71) Applicant: **PORTERO HOLDINGS, LLC**, Lake Forest, CA (US)
- (72) Inventors: **Jason Patrick**, Long Beach, CA (US); **Joshua Cantor**, Huntington Beach, CA (US)
- (73) Assignee: **Portero Holdings, LLC**, Lake Forest, CA (US)
- (\*\*) Term: **15 Years**
- (21) Appl. No.: **29/648,456**
- (22) Filed: **May 21, 2018**
- (51) **LOC (11) Cl.** ..... **16-01**
- (52) **U.S. Cl.**  
 USPC ..... **D16/208**; D16/218
- (58) **Field of Classification Search**  
 USPC ..... D16/134, 136, 200, 202–206, 208, 218, D16/219, 237, 242; D14/203.3, 203.4, D14/250, 345, 440, 449; 348/373–376; 396/535, 539–541  
 CPC ..... G03B 15/03; G03B 17/02; G03B 17/04; G03B 17/56; G03B 19/04; H04N 5/2251; H04N 5/2252; H04N 5/2253; H04N 5/2254; H04N 2101/00  
 See application file for complete search history.

- (56) **References Cited**
- U.S. PATENT DOCUMENTS
- D394,868 S \* 6/1998 Lee ..... D16/202  
 D398,018 S \* 9/1998 Lee ..... D16/202  
 D617,776 S \* 6/2010 Hightower ..... D14/204  
 (Continued)

- FOREIGN PATENT DOCUMENTS
- CN 1869753 A 11/2006

*Primary Examiner* — Ramzi S Almatrahi  
*(74) Attorney, Agent, or Firm* — Dorsey & Whitney LLP

(57) **CLAIM**

We claim the ornamental design for an accessory support clip for a mobile electronic device, as shown and described.

**DESCRIPTION**

FIG. 1 is a front isometric view of an accessory support clip for a mobile electronic device, shown in condition of use with a mobile electronic device disclosed in broken lines to illustrate an environment.

FIG. 2 is a rear isometric view of the accessory support clip for a mobile electronic device of FIG. 1, shown in condition of use with the mobile electronic device and an auxiliary lens carrier disclosed in broken lines to illustrate an environment.

FIG. 3 is a front isometric view of the accessory support clip for a mobile electronic device of FIG. 1.

FIG. 4 is a rear isometric view of the accessory support clip for a mobile electronic device of FIG. 1.

FIG. 5 is a front elevation view of the accessory support clip for a mobile electronic device of FIG. 1.

FIG. 6 is a rear elevation view of the accessory support clip for a mobile electronic device of FIG. 1.

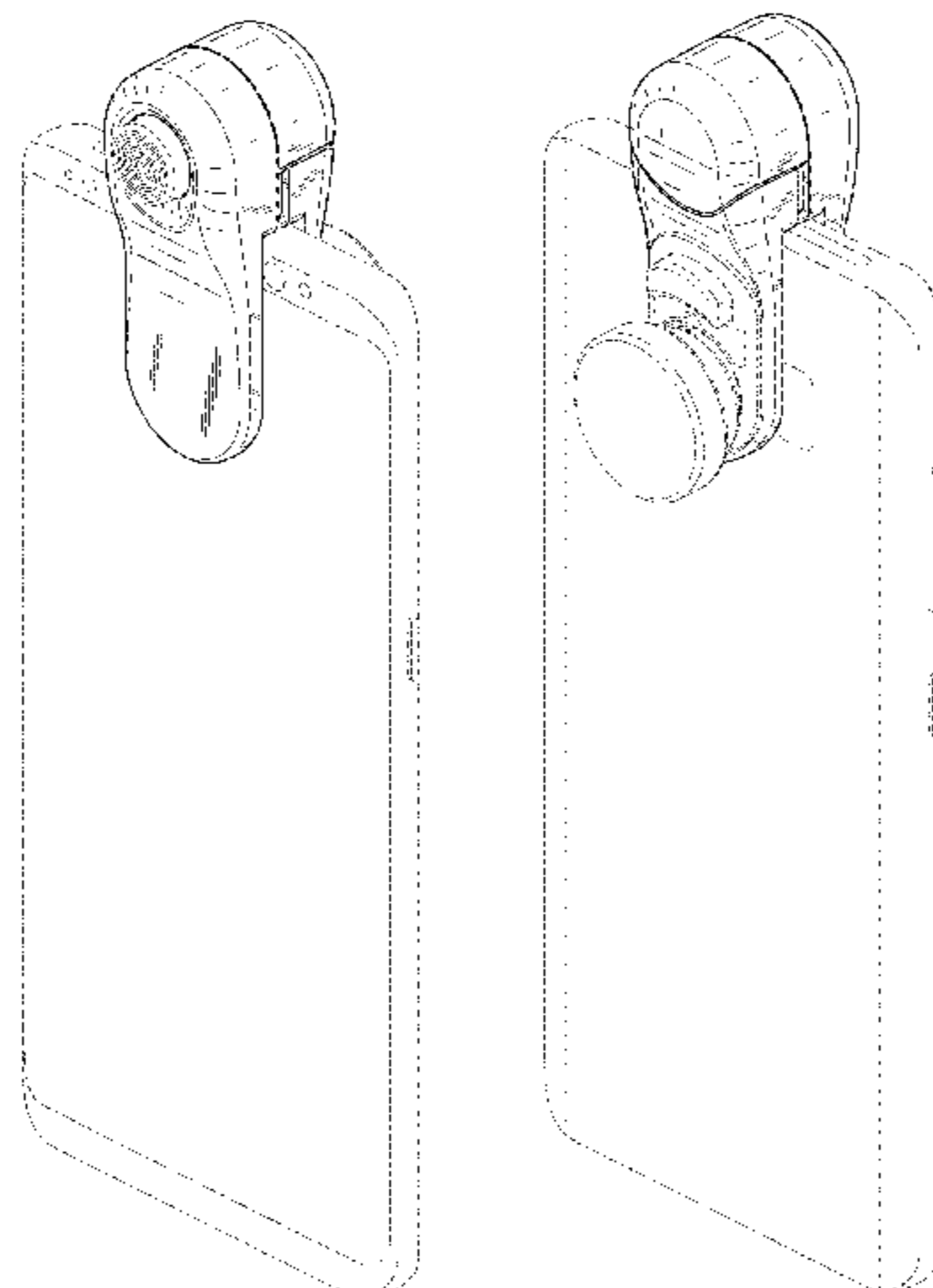
FIG. 7 is a right side elevation view of the accessory support clip for a mobile electronic device of FIG. 1.

FIG. 8 is a left side elevation view of the accessory support clip for a mobile electronic device of FIG. 1.

FIG. 9 is a top plan view of the accessory support clip for a mobile electronic device of FIG. 1; and, FIG. 10 is a bottom plan view of the accessory support clip for a mobile electronic device of FIG. 1.

The broken lines depict portions of the accessory support clip for a mobile electronic device in which the design is embodied that form no part of the claimed design. The broken lines showing a mobile electronic device and an auxiliary lens carrier represent environmental structure and form no part of the claimed design.

**1 Claim, 7 Drawing Sheets**



(56)

**References Cited**

U.S. PATENT DOCUMENTS

D626,950	S		11/2010	Roman	
8,279,544	B1	*	10/2012	O'Neill	..... G02B 7/14 359/827
D678,379	S	*	3/2013	O'Neill	..... D14/511
D686,265	S	*	7/2013	O'Neill	..... D16/134
D691,237	S		10/2013	Beckett et al.	
D695,332	S		12/2013	O'Neill	
D697,958	S	*	1/2014	O'Neill	..... D16/134
D727,385	S	*	4/2015	O'Neill	..... D16/134
D748,615	S	*	2/2016	Lee	..... D14/251
9,294,660	B2	*	3/2016	O'Neill	..... H04N 5/2254
D765,647	S	*	9/2016	Lee	..... D14/253
9,454,066	B2	*	9/2016	O'Neill	..... G03B 17/565
2013/0107109	A1	*	5/2013	Yang	..... G06F 1/1632 348/373

\* cited by examiner

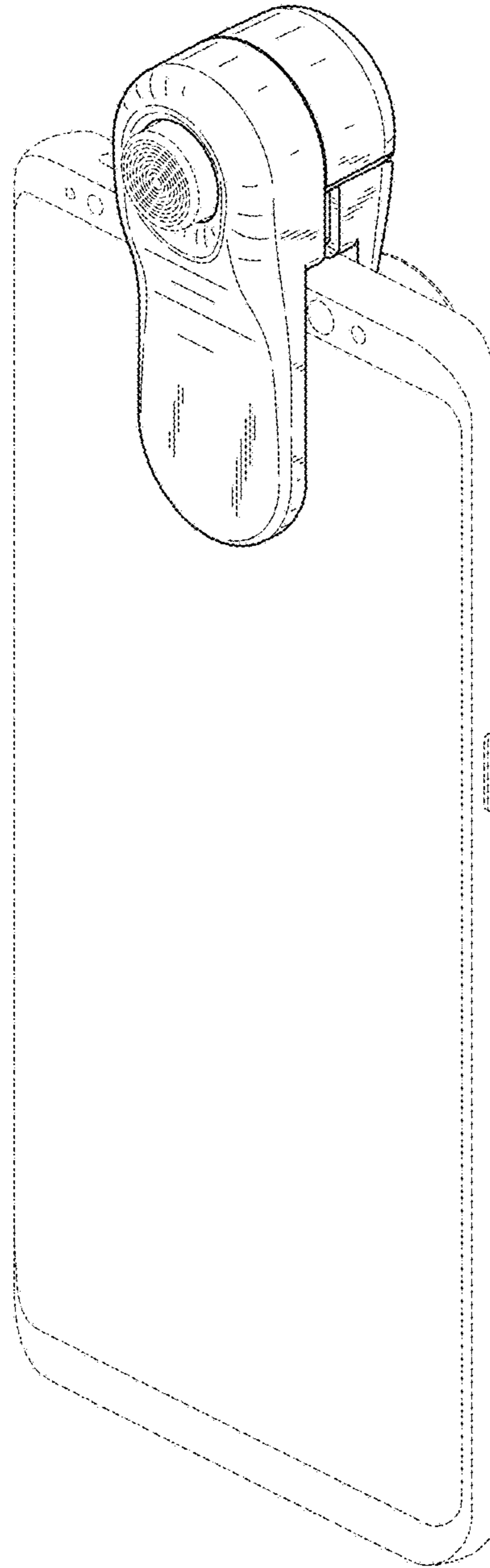


FIG. 1

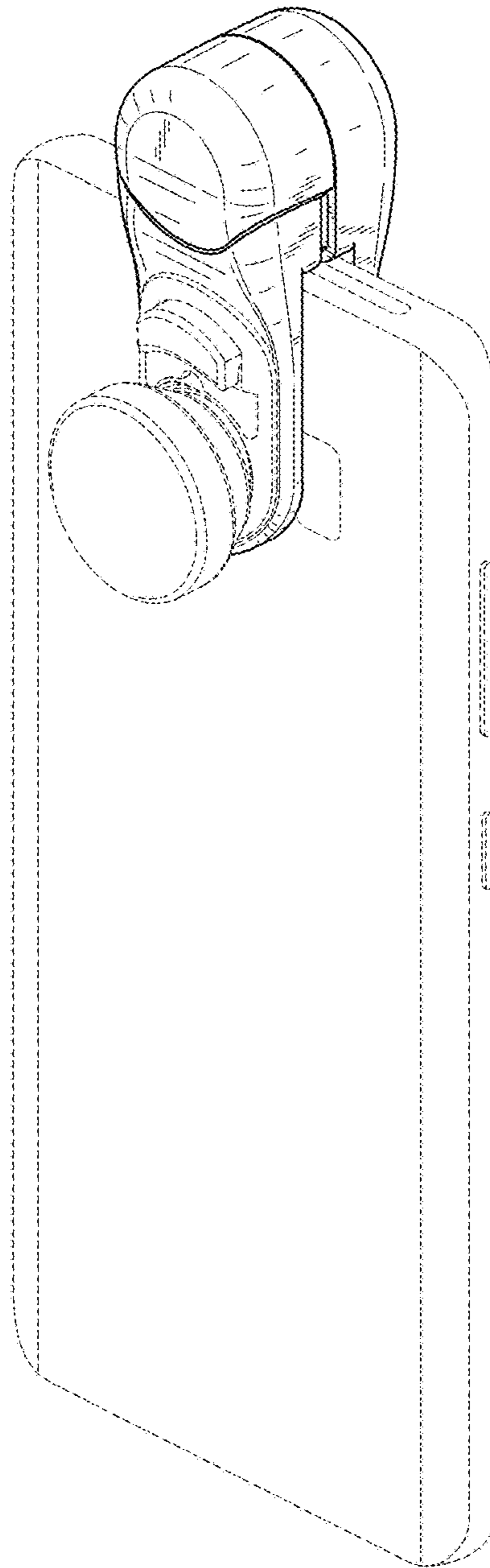


FIG. 2

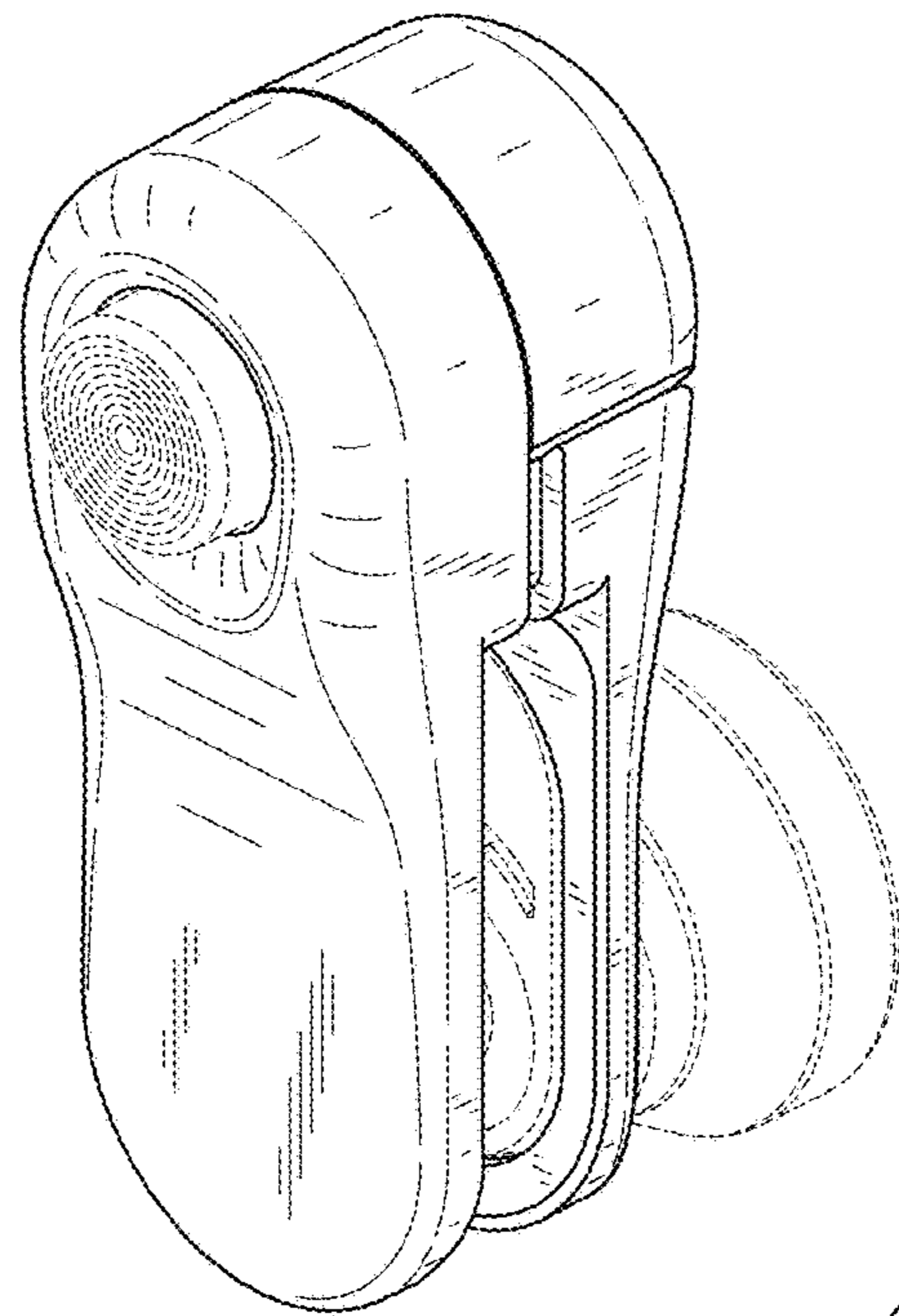


FIG. 3

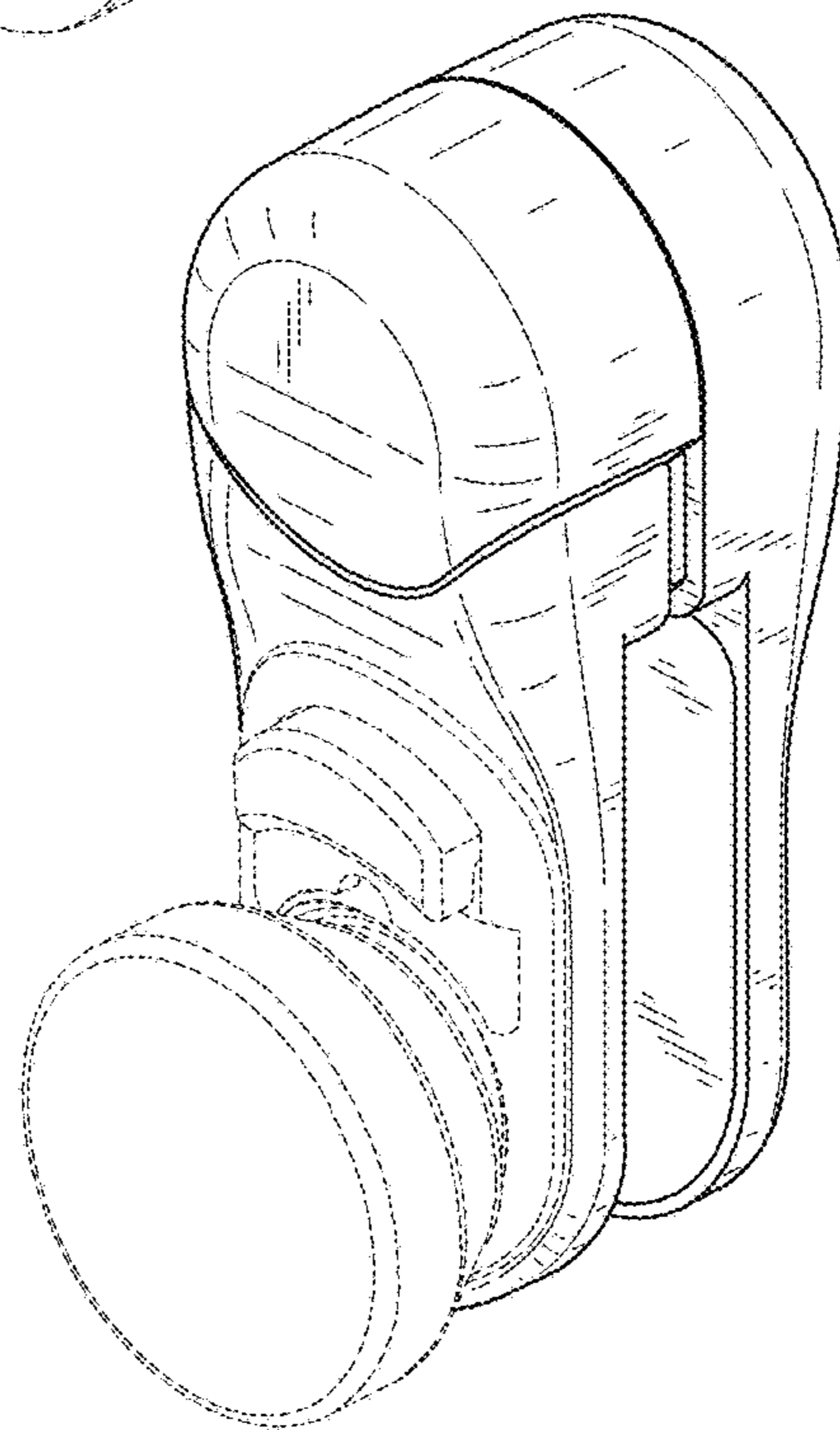


FIG. 4

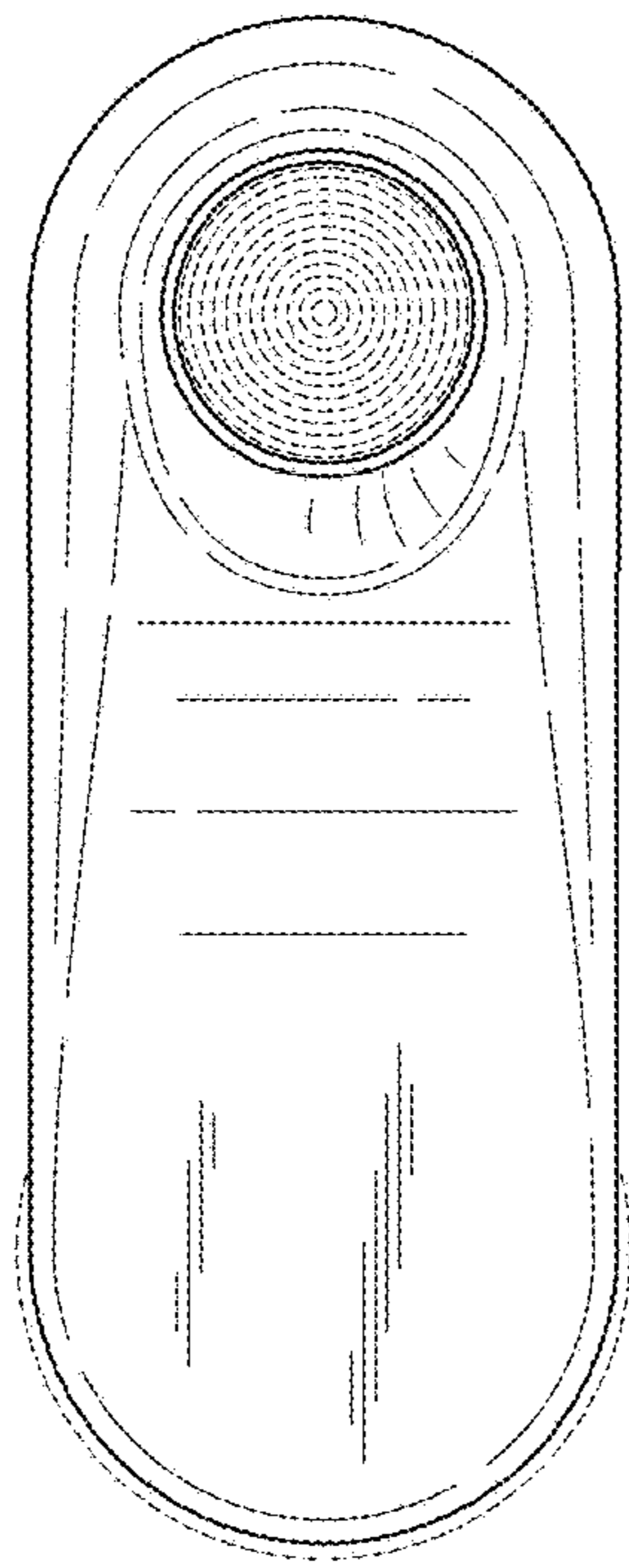


FIG. 5

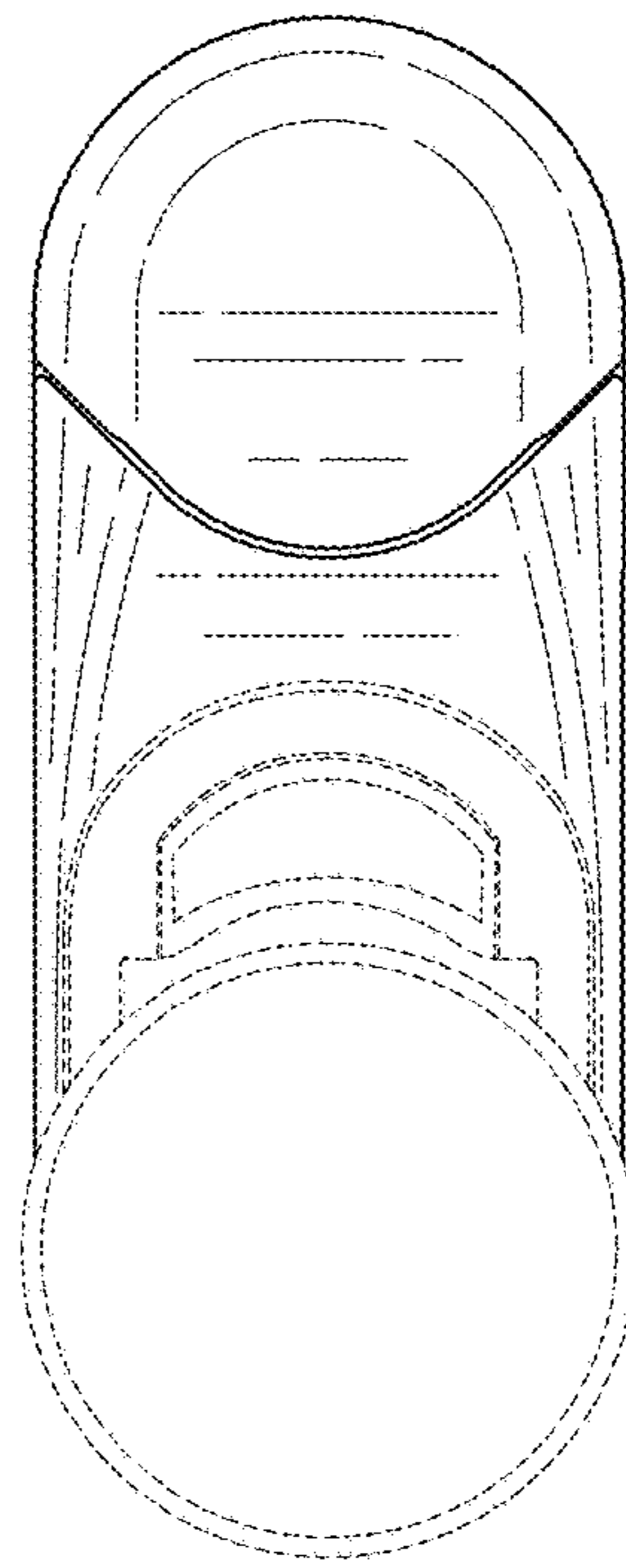


FIG. 6

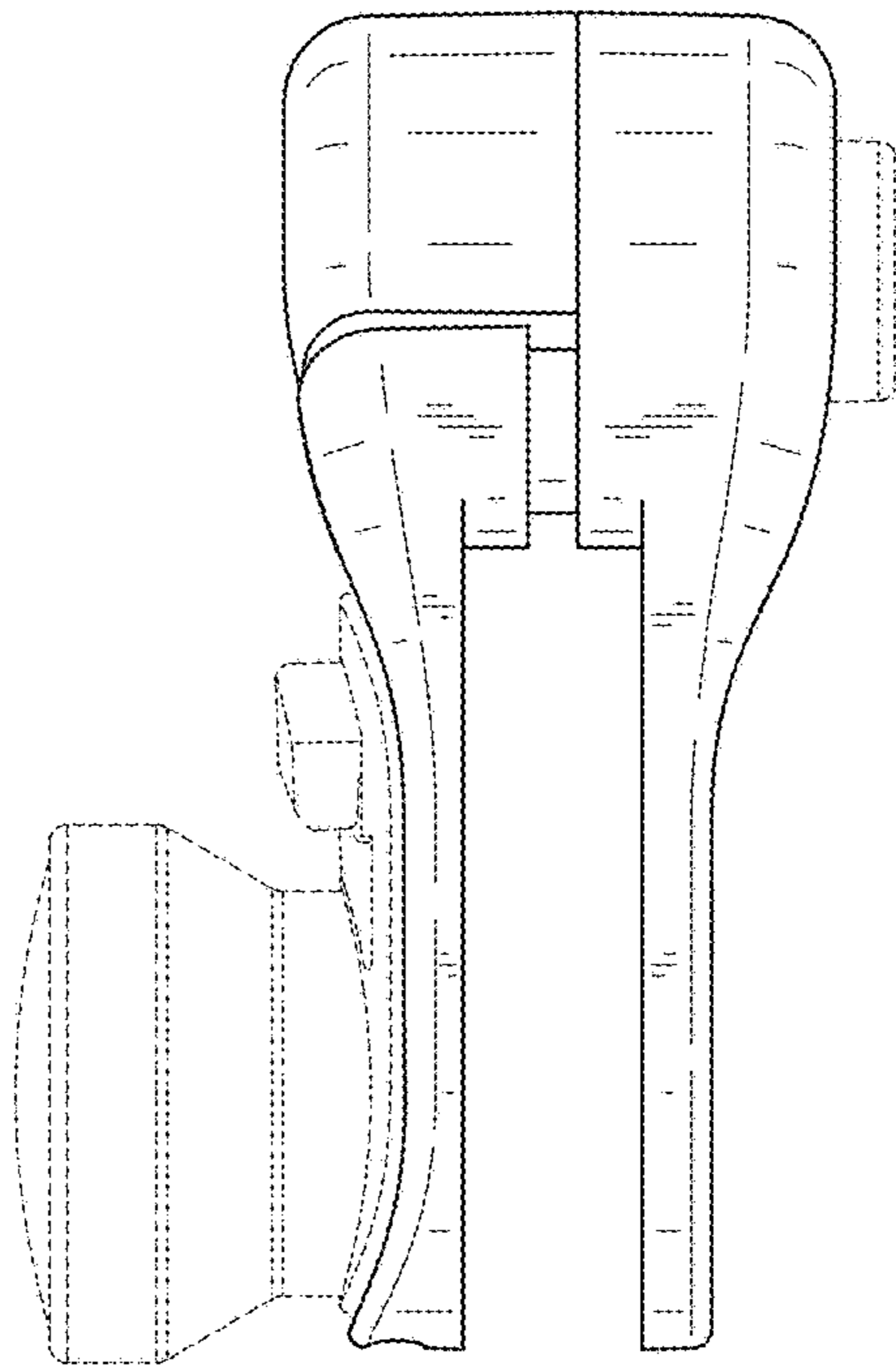


FIG. 7

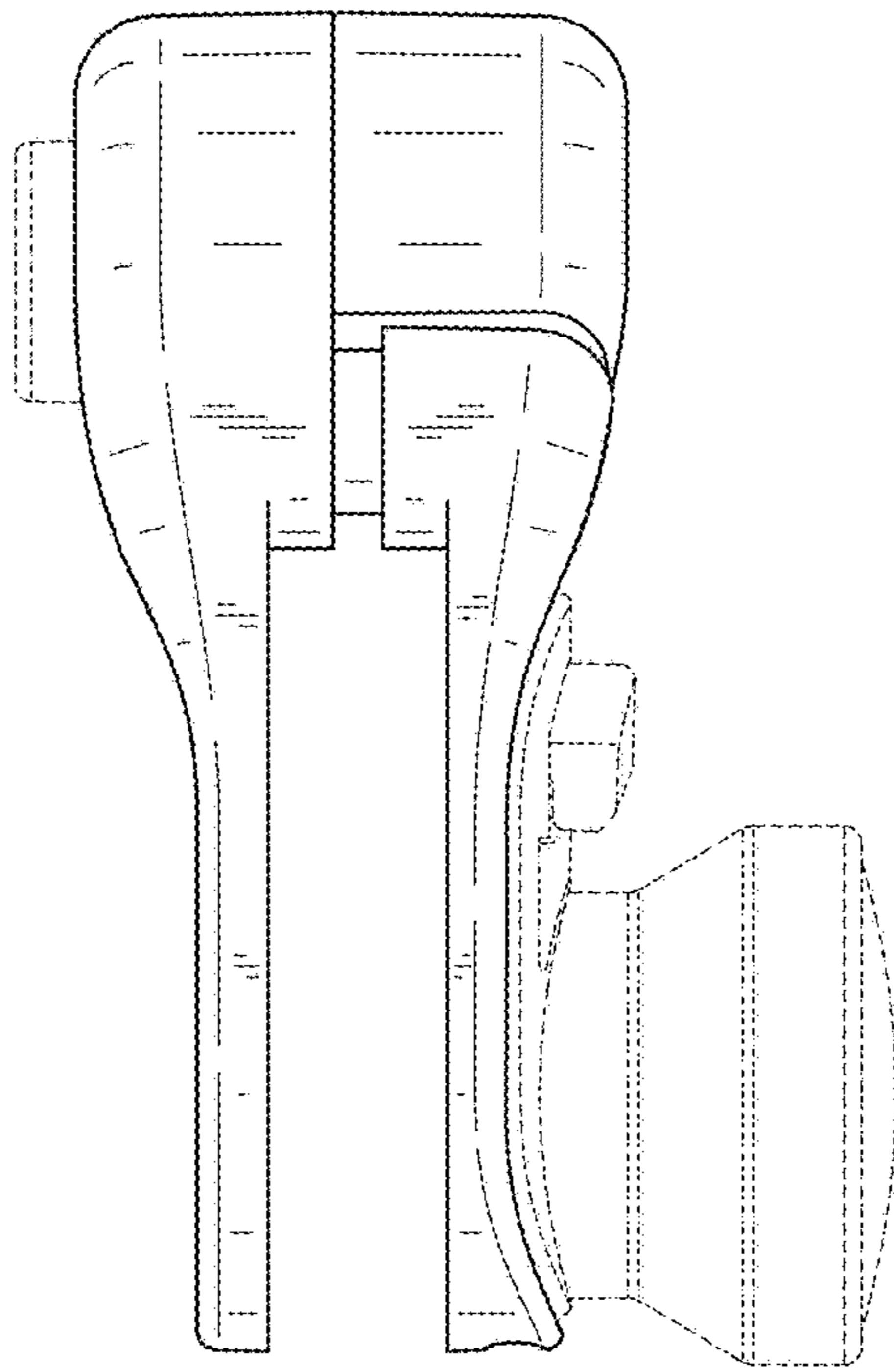


FIG. 8



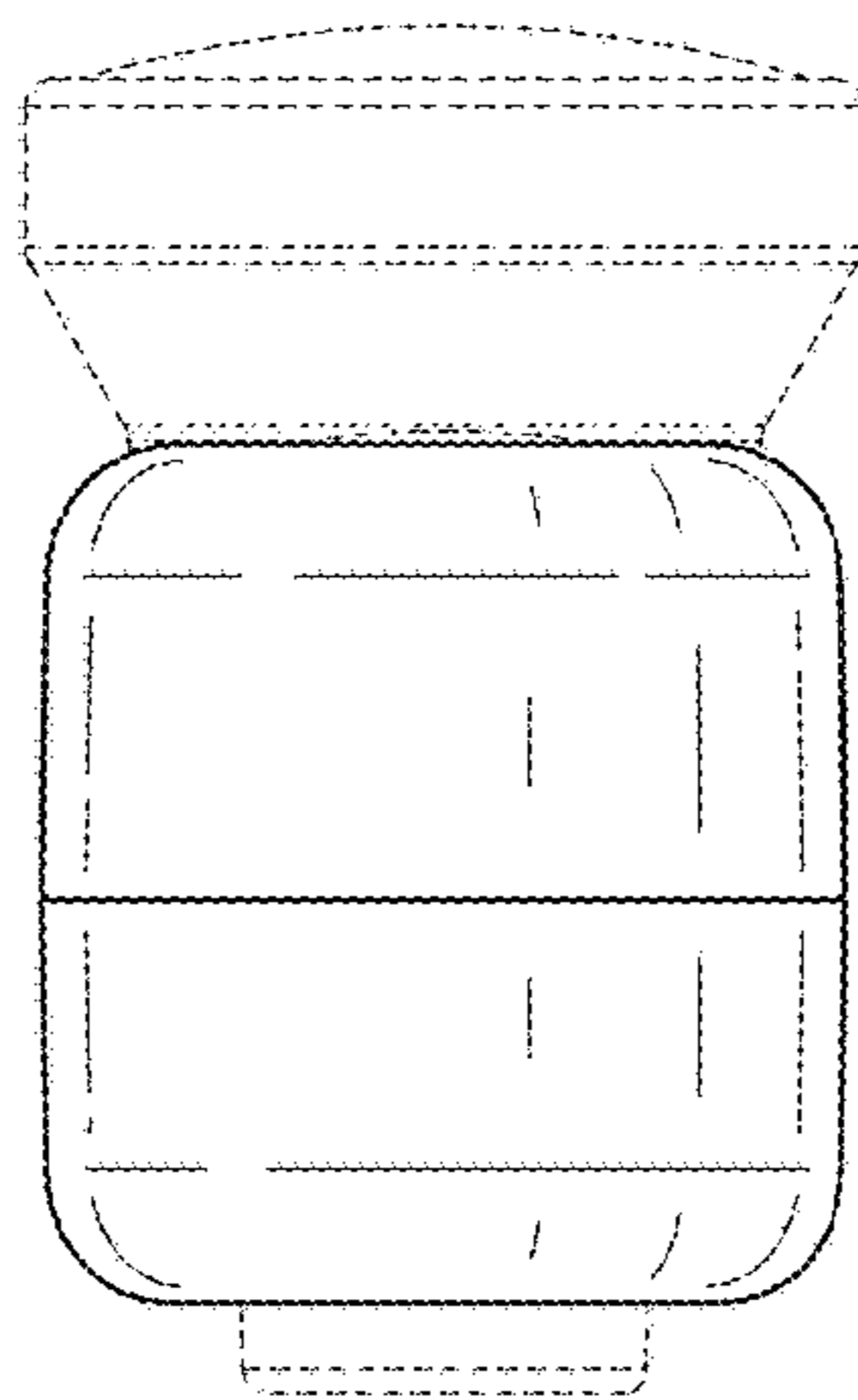


FIG. 9

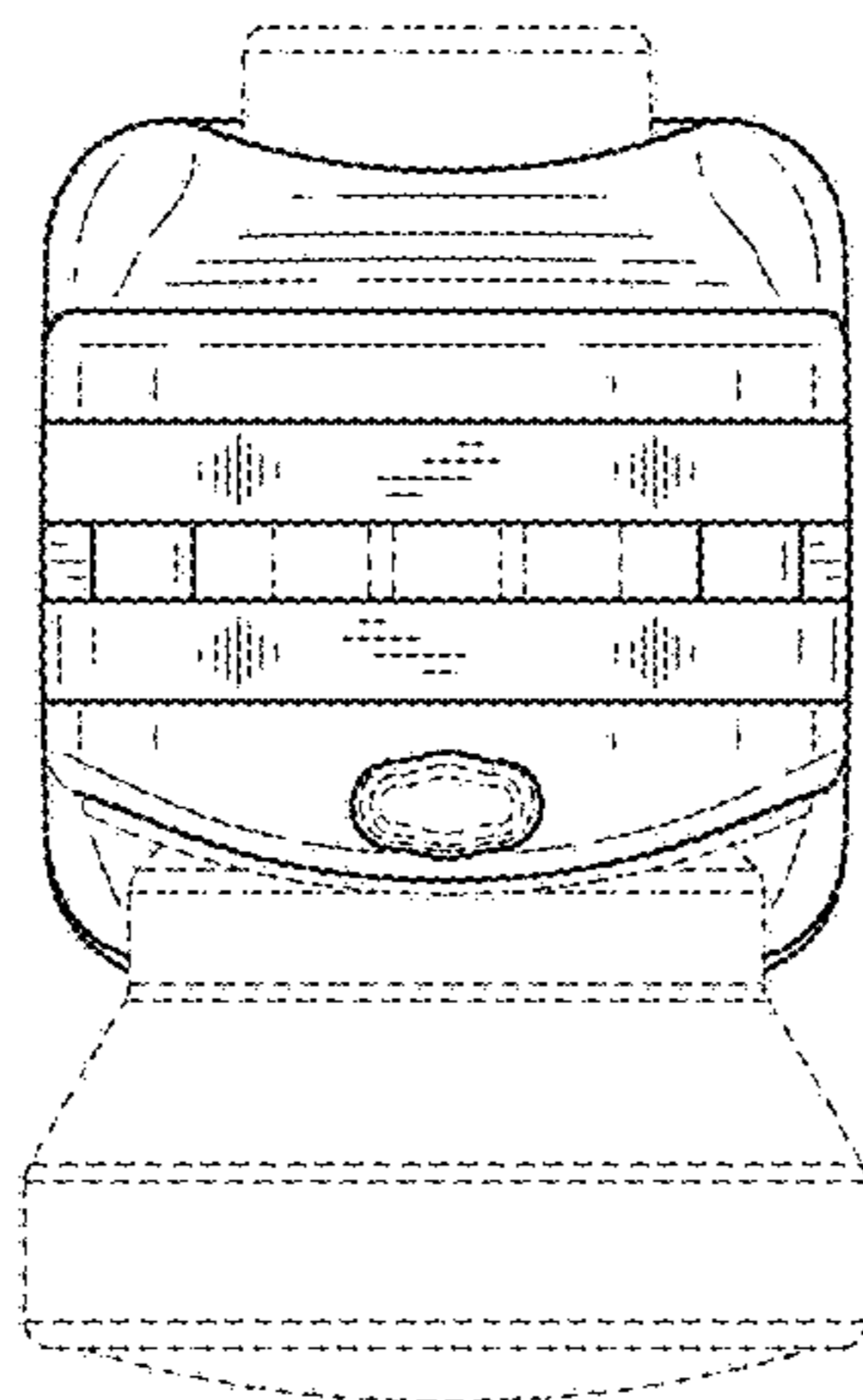


FIG. 10