



US00D849098S

(12) **United States Design Patent** (10) **Patent No.:** **US D849,098 S**
Kapuria et al. (45) **Date of Patent:** **** May 21, 2019**

(54) IN-VEHICLE CAMERA DEVICE	D711,451 S * 8/2014 Katsuyama D16/208
	D713,439 S * 9/2014 Zhang D16/208
(71) Applicant: THE HI-TECH ROBOTIC SYSTEMZ LTD, Gurugram, Haryana (IN)	D747,386 S * 1/2016 Li D16/208
	D747,757 S * 1/2016 Daniel D16/208
	D769,956 S * 10/2016 Hinkel D16/203
	D782,560 S * 3/2017 Li D16/208
(72) Inventors: Anuj Kapuria, Haryana (IN); Ritukar Vijay, Haryana (IN)	D795,940 S * 8/2017 Huang D16/203
	D800,201 S * 10/2017 Song D16/202
	D820,897 S * 6/2018 Ruzs D16/203
(73) Assignee: THE HI-TECH ROBOTIC SYSTEMZ LTD, Gurugram (IN)	2010/0123819 A1 * 5/2010 Yu H04N 5/2254 348/360
	2011/0199485 A1 * 8/2011 Nakamura G02B 13/001 348/148

(**) Term: **15 Years**

* cited by examiner

(21) Appl. No.: **29/614,642**

Primary Examiner — Ramzi S Almatrahi

(22) Filed: **Aug. 21, 2017**

(30) **Foreign Application Priority Data**

Jul. 18, 2017 (IN) 295889

(51) **LOC (11) Cl.** **16-01**

(52) **U.S. Cl.**
USPC **D16/208**

(58) **Field of Classification Search**
USPC D16/134, 136, 200, 202–205, 218, 219,
D16/235, 242; 348/373–376;
359/826–828; 396/529–532, 535,
396/539–541
CPC G03B 17/02; G03B 19/04; G03B 17/56;
G03B 17/04; G03B 15/03; G03B 17/14;
H04N 5/2251; H04N 5/2252; H04N
5/2253; H04N 5/2254; G02B 7/02; G02B
7/04; G02B 7/14

See application file for complete search history.

(56) **References Cited**

U.S. PATENT DOCUMENTS

D182,201 S * 2/1958 Richartz D16/207
D686,267 S * 7/2013 Mihara D16/202

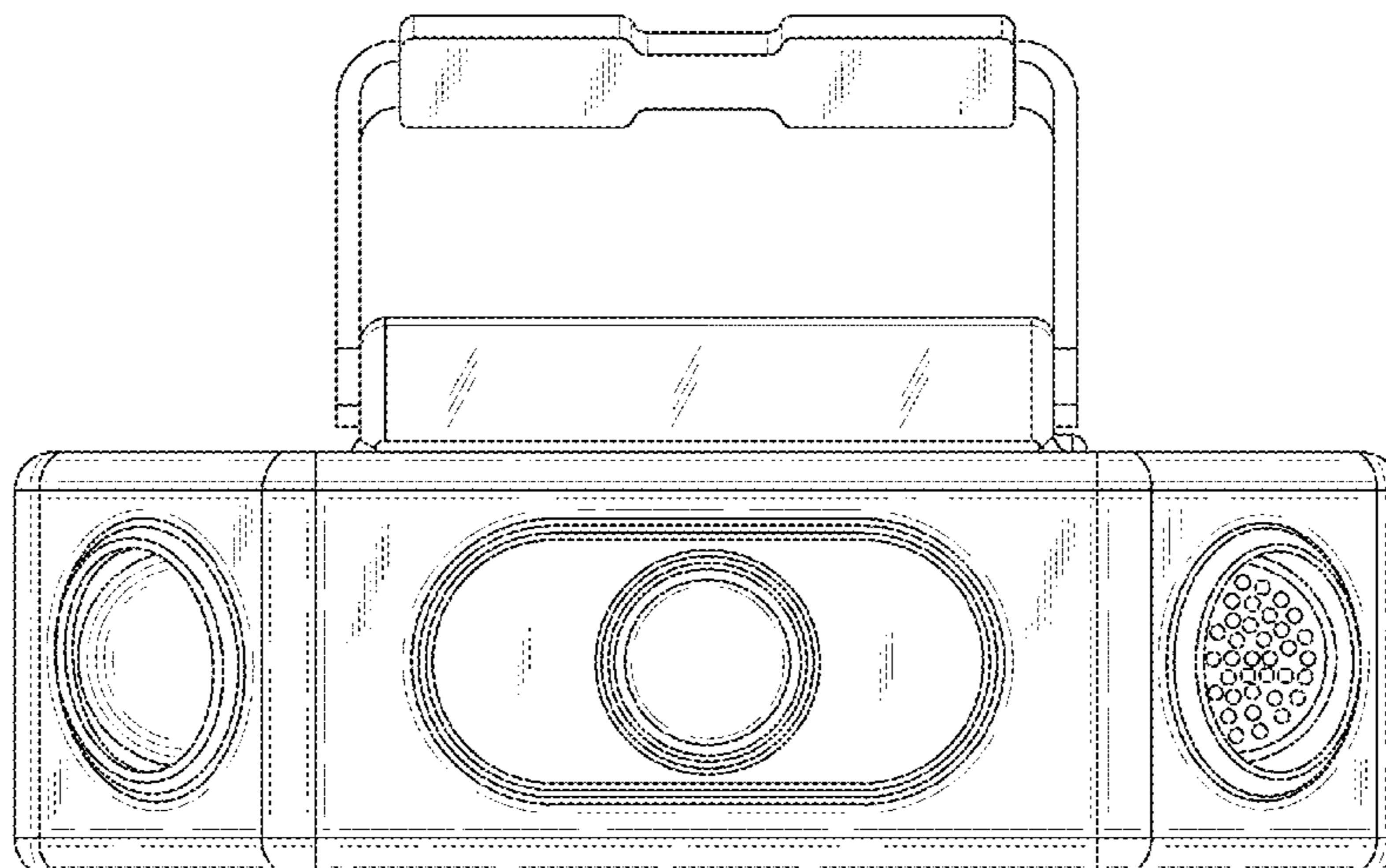
(57) **CLAIM**

The ornamental design for an in-vehicle camera device, as shown and described.

DESCRIPTION

FIG. 1 is a front elevational view of an in-vehicle camera device showing our new design;
FIG. 2 is a rear elevational view thereof;
FIG. 3 is a left side view thereof;
FIG. 4 is a right side view thereof;
FIG. 5 is a top plan view thereof;
FIG. 6 is a bottom plan view thereof; and,
FIG. 7 is a perspective view thereof.
The broken lines depict portions of the in-vehicle camera device in which the design is embodied that form no part of the claimed design.

1 Claim, 7 Drawing Sheets



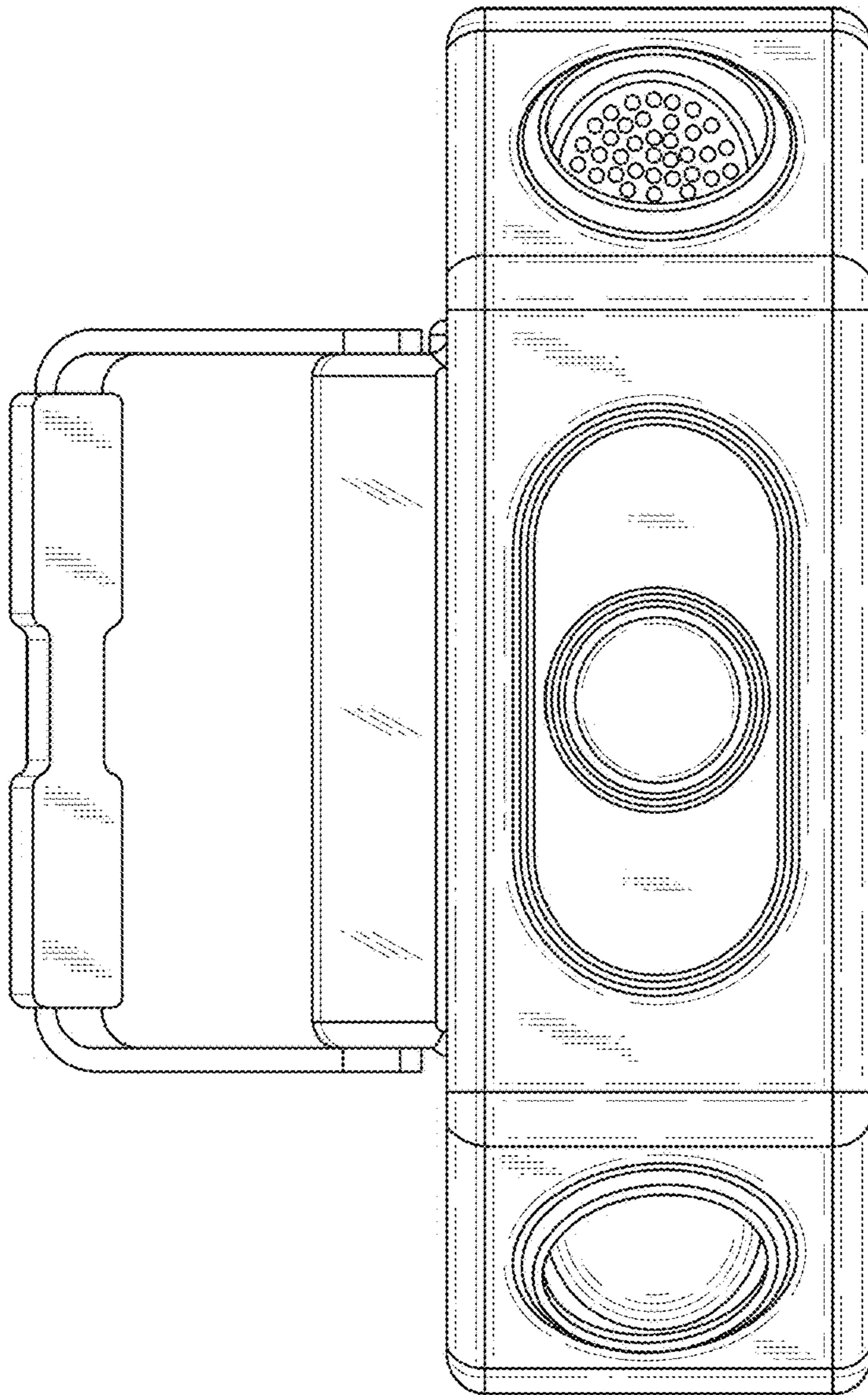


FIG. 1

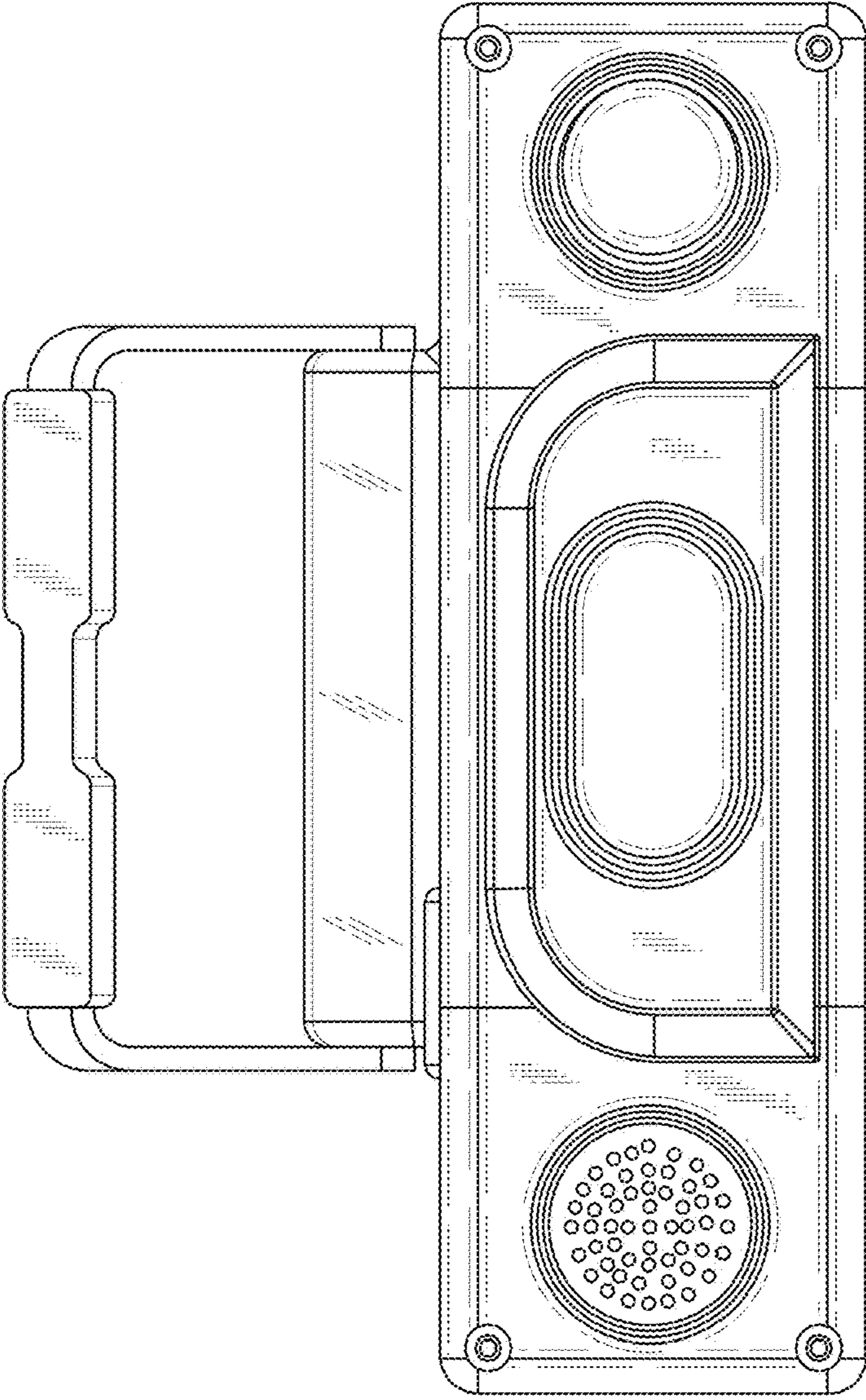


FIG. 2

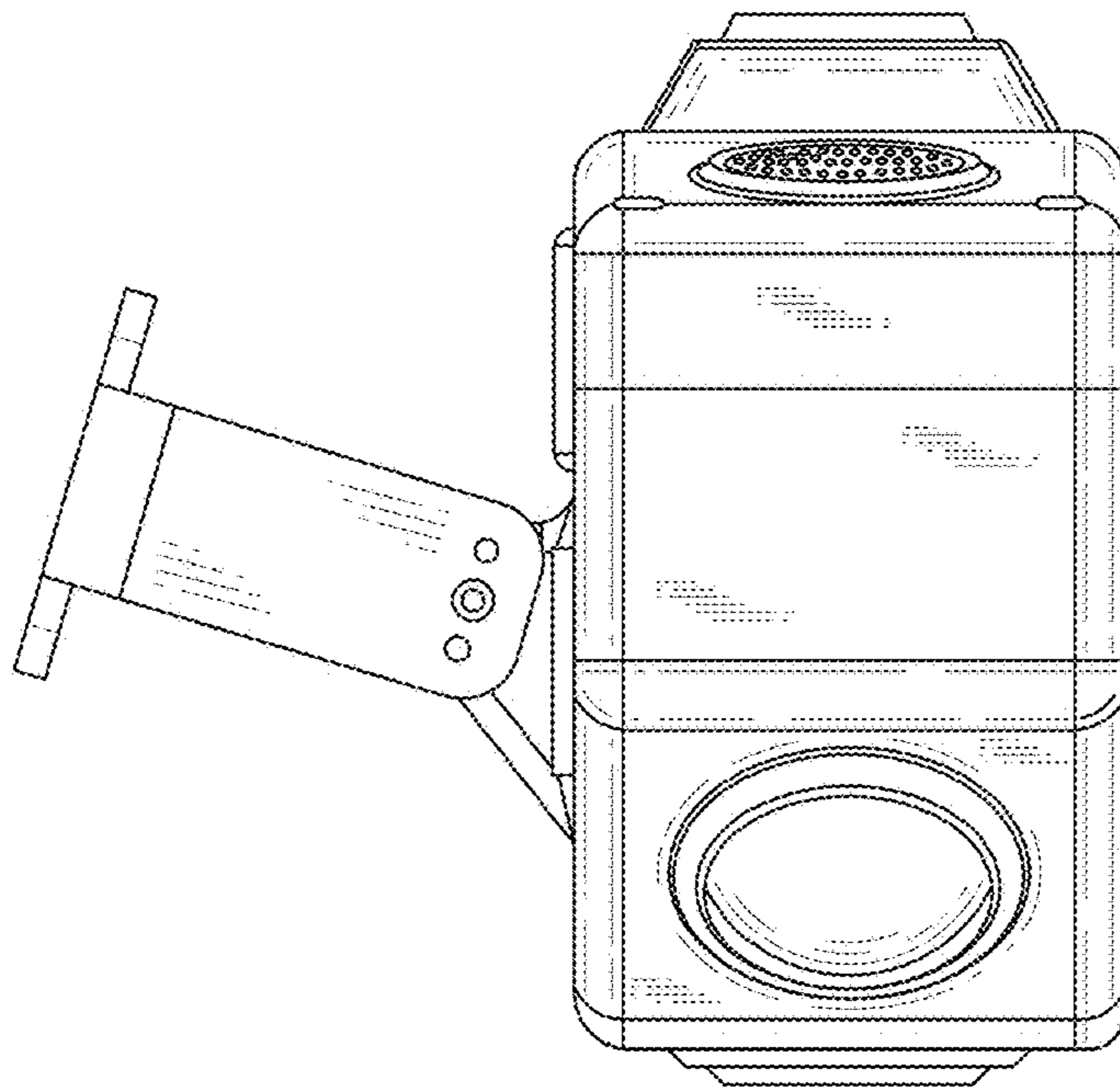


FIG. 3

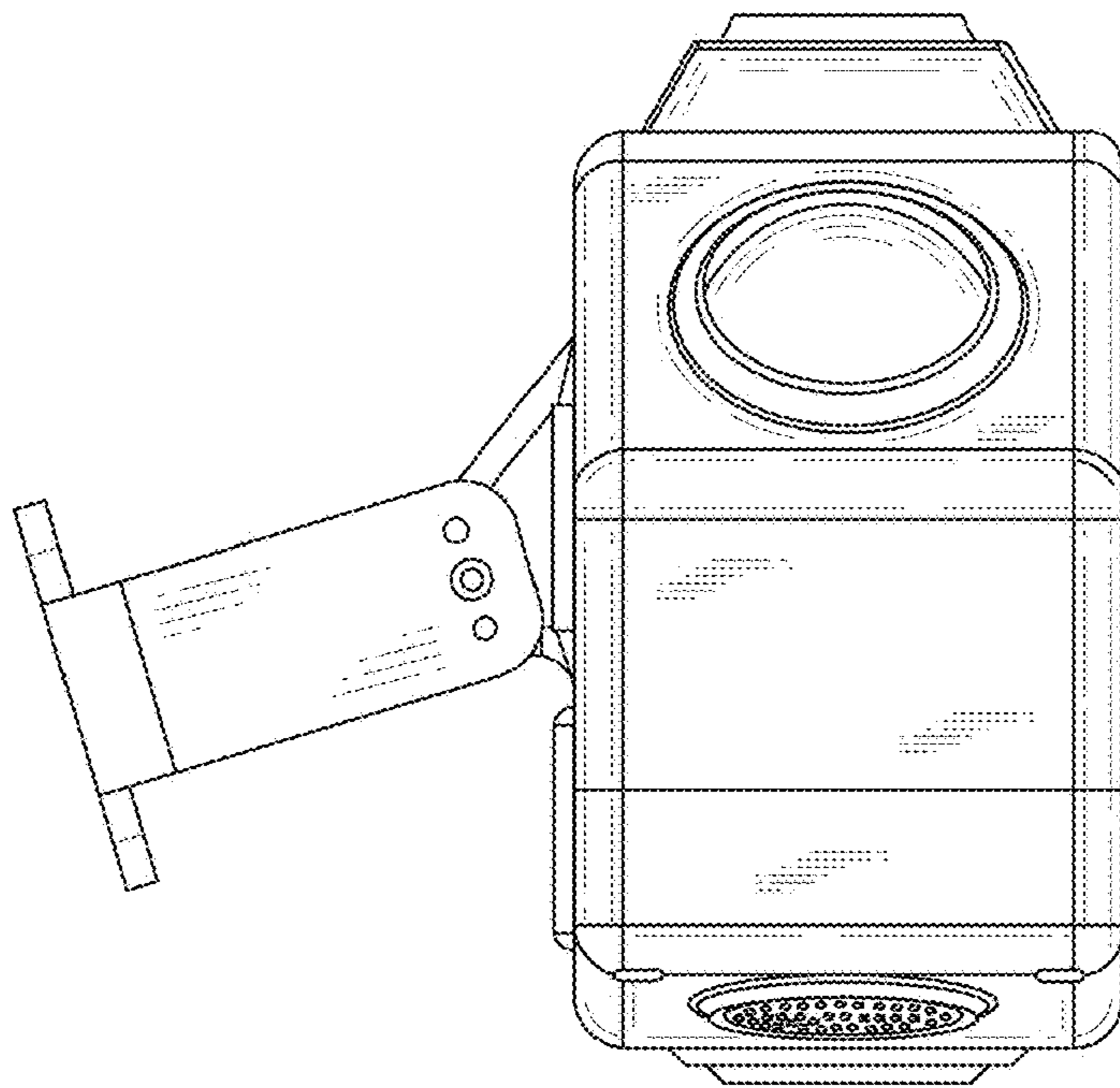


FIG. 4

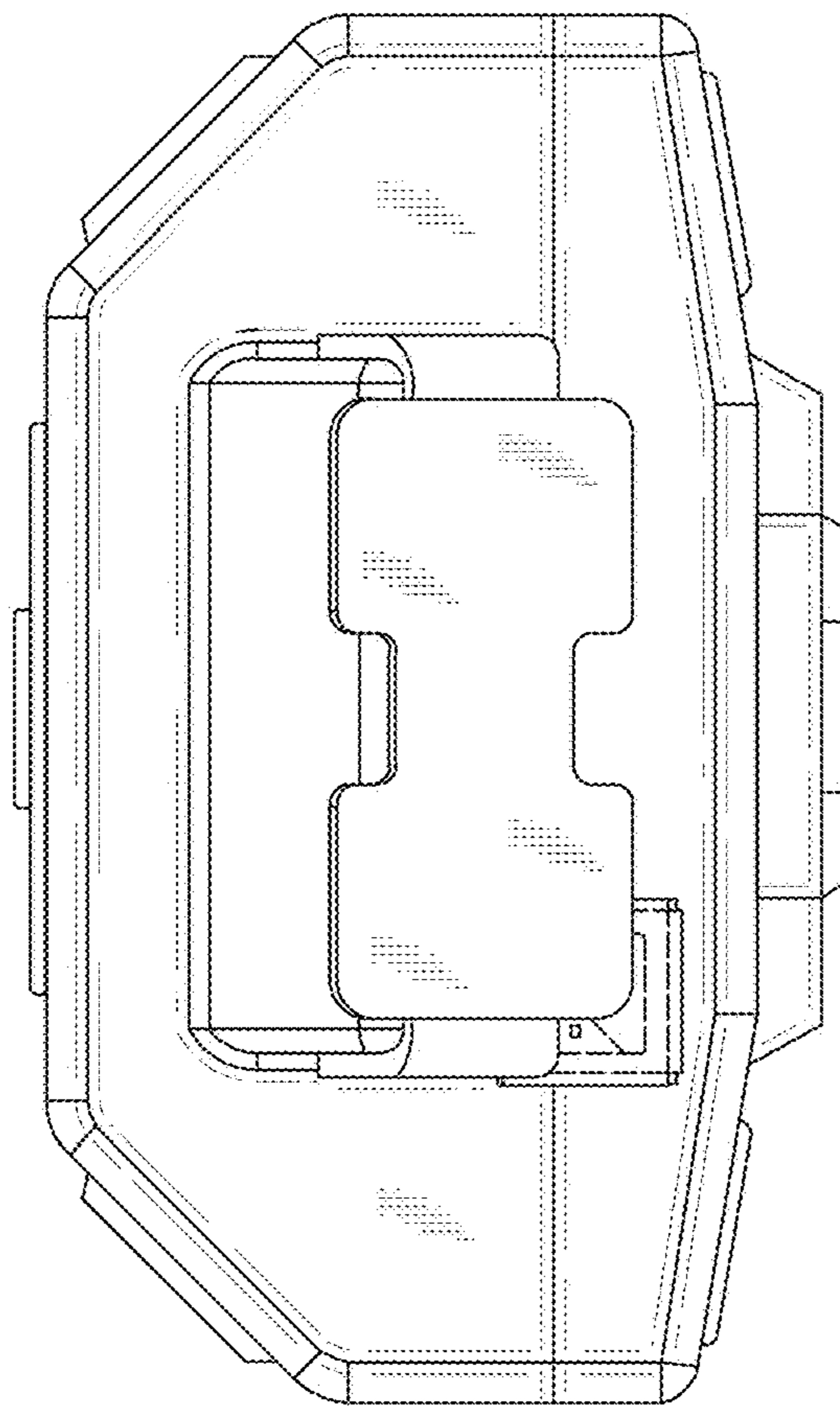


FIG. 5

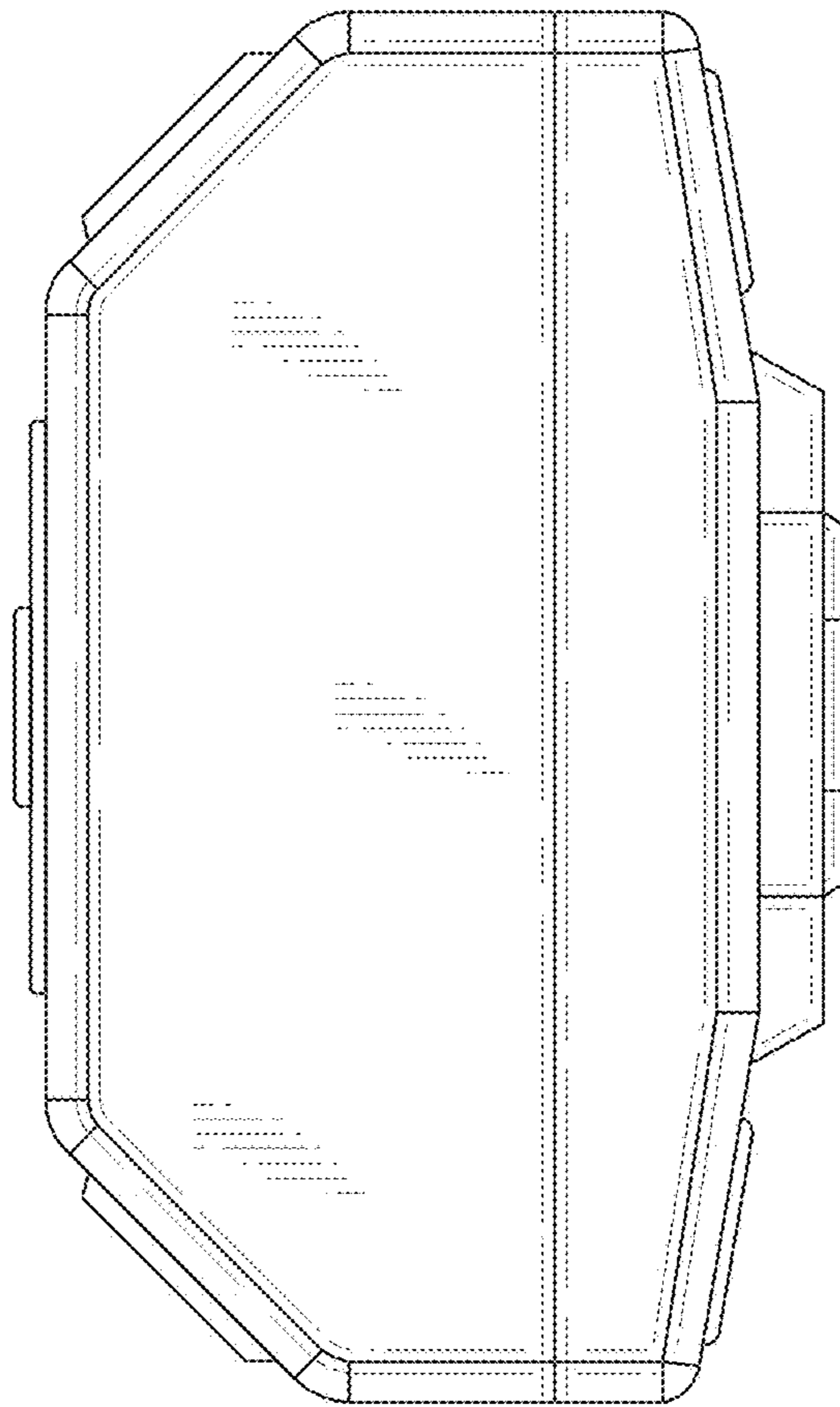


FIG. 6

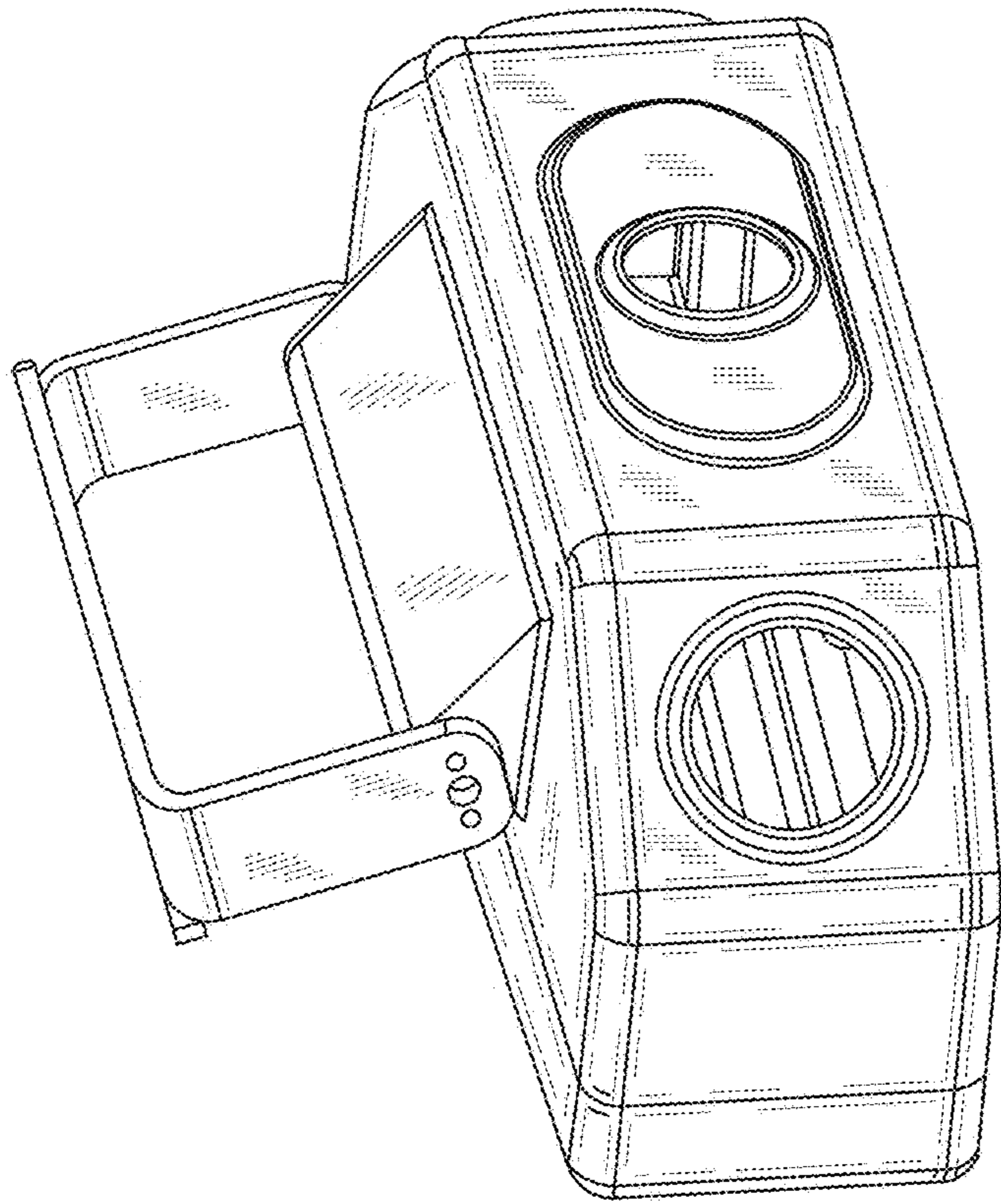


FIG. 7