



US00D849096S

(12) **United States Design Patent** (10) **Patent No.:** **US D849,096 S**  
**Bergstrom et al.** (45) **Date of Patent:** **\*\* May 21, 2019**

(54) **MONITORING CAMERA**

(71) Applicant: **AXIS AB**, Lund (SE)

(72) Inventors: **Morten Bergstrom**, Bjarred (SE); **Jens Pahlitzsch**, Lund (SE); **Mathias Walter**, Arlov (SE); **Niclas Moller Lewin**, Malmo (SE); **Johan Bergsten**, Landskrona (SE)

(73) Assignee: **AXIS AB**, Lund (SE)

(\*\*) Term: **15 Years**

(21) Appl. No.: **29/634,122**

(22) Filed: **Jan. 18, 2018**

**Related U.S. Application Data**

(60) Continuation of application No. 29/551,566, filed on Jan. 14, 2016, which is a division of application No. 29/514,777, filed on Jan. 16, 2015, now Pat. No. Des. 750,683.

(30) **Foreign Application Priority Data**

Jul. 16, 2014 (WO) ..... 002503334-0001  
Jul. 16, 2014 (WO) ..... 002503334-0002  
Jul. 16, 2014 (WO) ..... 002503334-0003

(51) **LOC (11) Cl.** ..... **16-01**

(52) **U.S. Cl.**  
USPC ..... **D16/203**

(58) **Field of Classification Search**  
USPC ..... D16/200, 202–206, 208, 218, 219, 242;  
348/143, 148, 151, 373–376; 396/419,  
396/427, 535, 539–541  
CPC ..... G03B 17/02; G03B 19/04; G03B 17/56;  
G03B 17/04; G03B 15/03; H04N 5/2251;  
H04N 5/2252; H04N 5/2253; H04N  
5/2254; H04N 7/181; H04N 7/183; H04N  
7/18;

(Continued)

(56) **References Cited**

U.S. PATENT DOCUMENTS

3,739,703 A \* 6/1973 Behles ..... G03B 15/00  
348/151  
D325,212 S 4/1992 Elberbaum  
5,689,304 A 11/1997 Jones et al.  
(Continued)

FOREIGN PATENT DOCUMENTS

EP 2887328 6/2015  
TW D113100 9/2006  
(Continued)

OTHER PUBLICATIONS

Questel Printout—Chinese Design Registration No. 302849987,  
dated Jun. 18, 2014.

(Continued)

*Primary Examiner* — Ramzi S Almatrahi  
(74) *Attorney, Agent, or Firm* — Volpe and Koenig, P.C.

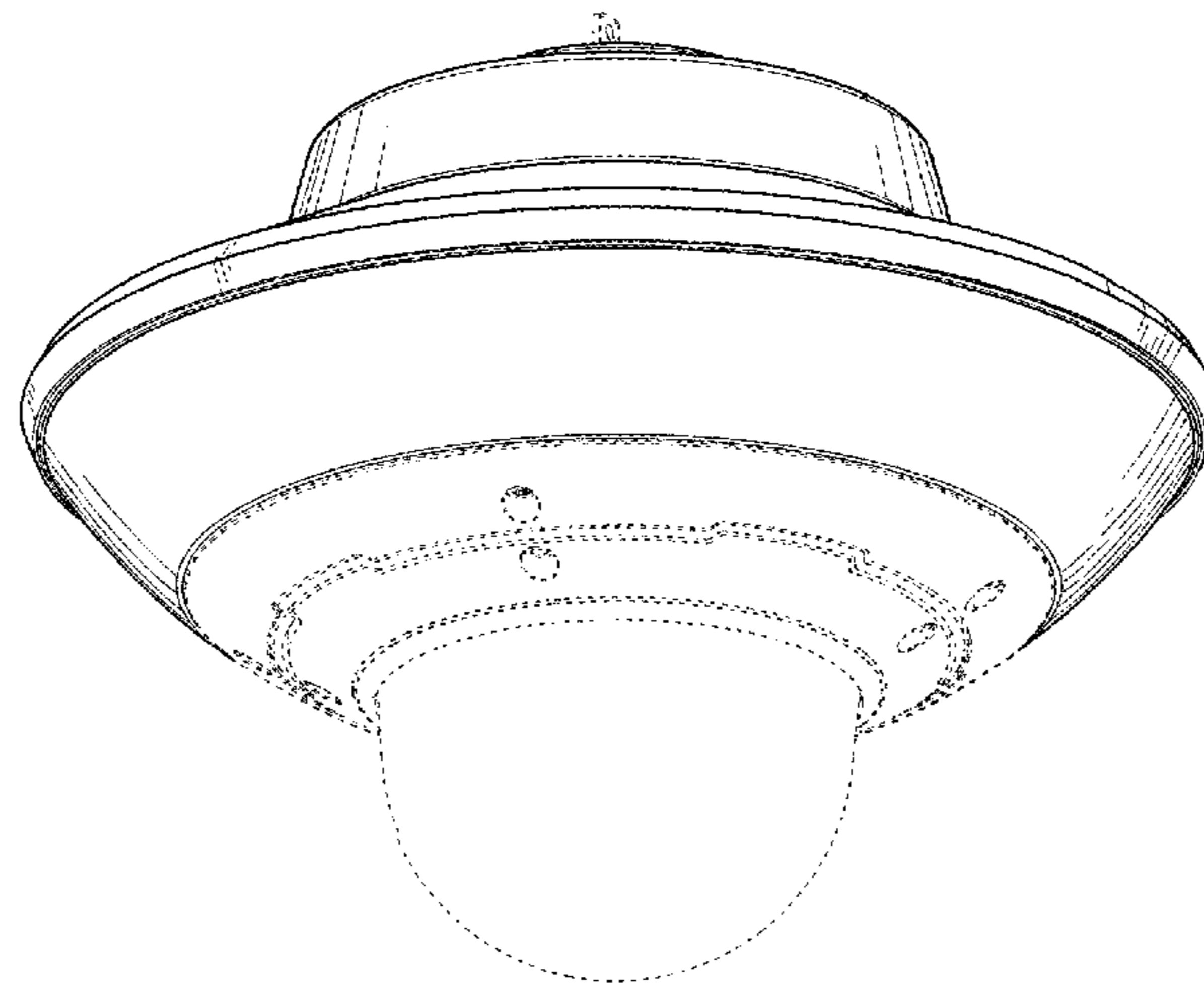
(57) **CLAIM**

The ornamental design for a monitoring camera, as shown  
and described.

**DESCRIPTION**

FIG. 1 is a bottom, left, rear perspective view of a moni-  
toring camera in accordance with our design;  
FIG. 2 is a rear elevational view thereof;  
FIG. 3 is a bottom view thereof;  
FIG. 4 is a right side elevational view thereof;  
FIG. 5 is a left side elevational view thereof;  
FIG. 6 is a front elevational view thereof; and,  
FIG. 7 is a top plan view thereof.  
The broken lines depict portions of a monitoring camera in  
which the design is embodied and form no part of the  
claimed design.

**1 Claim, 4 Drawing Sheets**



(58) **Field of Classification Search**  
 CPC ..... G08B 13/1963; G08B 13/19619; G08B  
 13/19632; F16M 11/04; F16M 13/00  
 See application file for complete search history.

(56) **References Cited**

U.S. PATENT DOCUMENTS

D416,273 S 11/1999 Yamakawa et al.  
 D425,535 S 5/2000 Mutoh et al.  
 D426,250 S 6/2000 Lefkowitz  
 D450,076 S 11/2001 Fujimaki  
 D455,767 S 4/2002 Tsang et al.  
 D464,676 S 10/2002 Leo et al.  
 D468,654 S 1/2003 Wunsch  
 6,678,001 B1 1/2004 Elberbaum  
 6,715,940 B2 4/2004 Top et al.  
 D497,927 S \* 11/2004 Arbuckle ..... D16/203  
 D499,125 S 11/2004 Adachi et al.  
 D499,126 S 11/2004 Kato et al.  
 D507,804 S 7/2005 Nagai  
 D513,028 S 12/2005 Maruyama  
 D527,405 S 8/2006 Kim et al.  
 D552,501 S 10/2007 Lin et al.  
 D552,651 S 10/2007 Arbuckle  
 D556,235 S 11/2007 Todd et al.  
 D556,236 S 11/2007 Kim  
 D558,248 S \* 12/2007 Togawa ..... D16/203  
 D560,244 S 1/2008 Naruki  
 D563,446 S 3/2008 Stephens et al.  
 D565,628 S 4/2008 Alm et al.  
 D575,810 S 8/2008 Alm  
 D581,961 S 12/2008 Shioya  
 D584,756 S 1/2009 Yamakawa  
 D600,152 S 9/2009 Stack et al.  
 7,614,804 B2 11/2009 Kim  
 D606,105 S 12/2009 Hinkel  
 D610,183 S 2/2010 Nohavec et al.  
 D615,114 S 5/2010 Arnold  
 D615,115 S 5/2010 Arnold et al.  
 D628,225 S 11/2010 Deurwaarder  
 D633,120 S 2/2011 Ham  
 D636,804 S 4/2011 Anneback  
 D636,805 S 4/2011 Anneback et al.  
 D639,842 S \* 6/2011 Zeinoun ..... D16/203  
 D644,677 S \* 9/2011 Park ..... D16/203  
 D647,553 S 10/2011 Park  
 8,066,438 B2 11/2011 Takahashi  
 D650,410 S 12/2011 Helaooui et al.  
 D655,328 S 3/2012 Anneback  
 D677,297 S \* 3/2013 Bart ..... D16/203  
 D688,720 S 8/2013 Yilin  
 D690,345 S 9/2013 Seo

8,558,945 B2 10/2013 Yamauchi et al.  
 D694,305 S \* 11/2013 Katori ..... D16/203  
 D694,306 S \* 11/2013 Katori ..... D16/203  
 D694,798 S 12/2013 Deurwaarder  
 8,648,923 B2 2/2014 Iwasaki  
 D701,258 S 3/2014 Huang  
 8,790,024 B2 7/2014 Andersson  
 D721,755 S 1/2015 Ahman et al.  
 D726,800 S 4/2015 Dahlqvist et al.  
 D729,859 S \* 5/2015 Shin ..... D16/203  
 D740,870 S 10/2015 Park  
 D740,874 S 10/2015 Ahman et al.  
 D742,447 S 11/2015 Stark et al.  
 D749,660 S \* 2/2016 Yu ..... D16/203  
 D753,753 S 4/2016 Moon et al.  
 9,491,337 B2 11/2016 Elensi et al.  
 D777,819 S \* 1/2017 Bergstrom ..... D16/203  
 9,535,311 B2 1/2017 Bergsten et al.  
 D786,329 S 5/2017 Kamei  
 D786,330 S 5/2017 Tasselli et al.  
 D788,607 S 6/2017 Ji et al.  
 9,699,359 B2 7/2017 Urano et al.  
 D798,933 S 10/2017 Little  
 2009/0290860 A1 11/2009 Uchida et al.  
 2012/0106942 A1 5/2012 Mukai  
 2014/0301729 A1 \* 10/2014 Okamura ..... H04N 5/2252  
 396/427  
 2015/0326759 A1 11/2015 Mukai

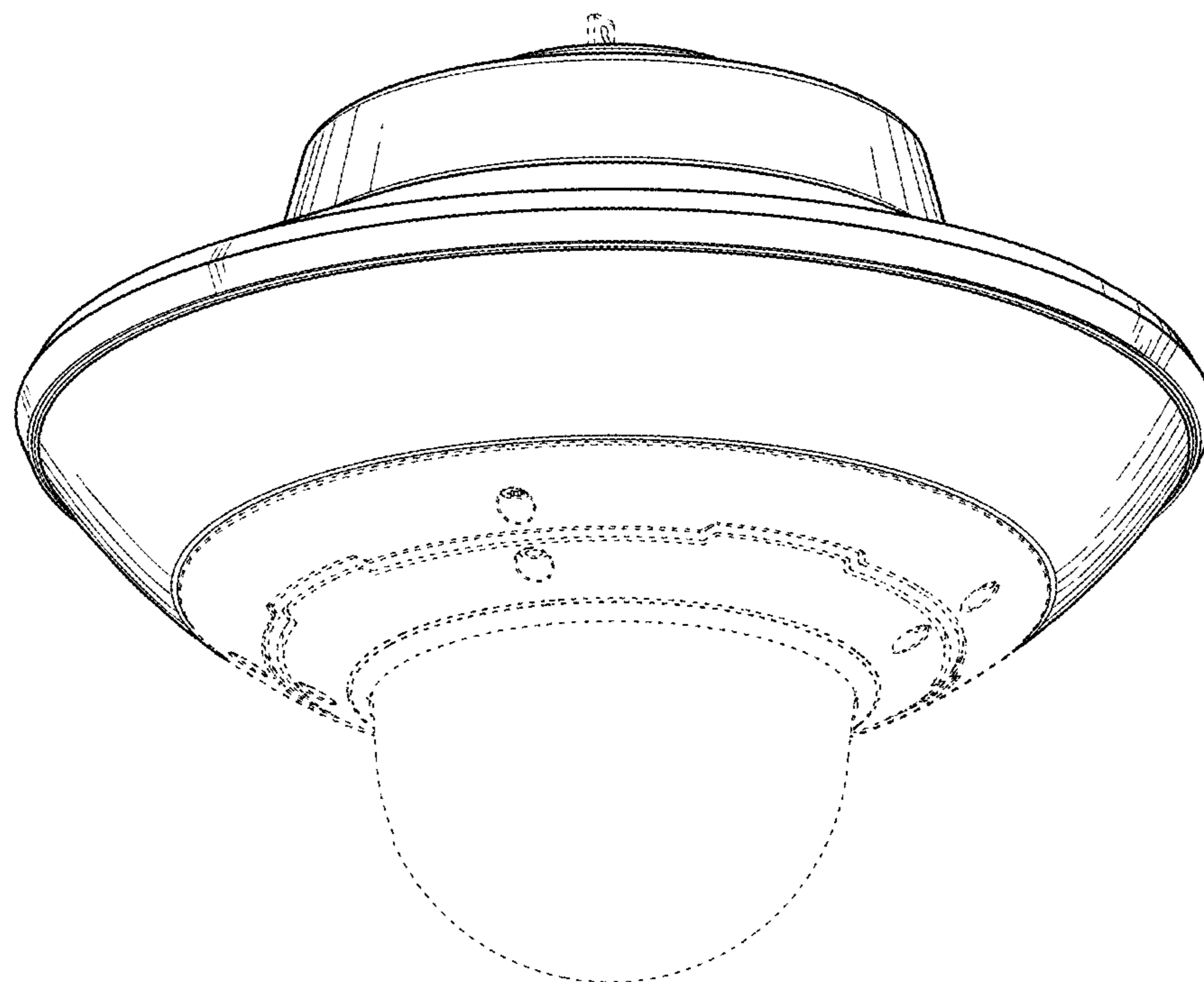
FOREIGN PATENT DOCUMENTS

TW D156913 11/2012  
 TW D157863 12/2013  
 WO DM/092 226 5/2016

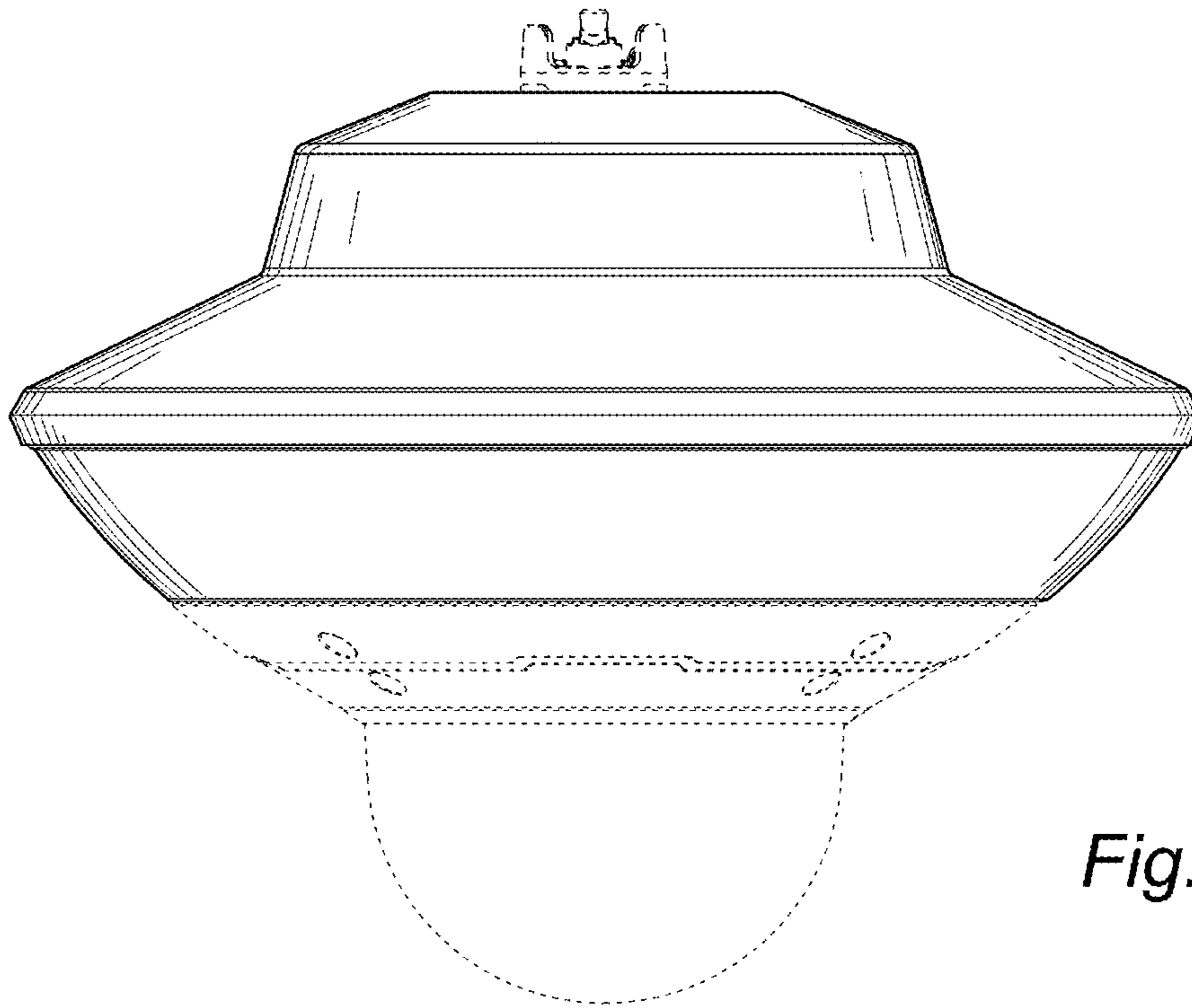
OTHER PUBLICATIONS

Questel Printout—Chinese Design Registration No. 302857494,  
 dated Jun. 25, 2014.  
 Questel Printout—Chinese Design Registration No. 302865457,  
 dated Jul. 2, 2014.  
 Questel Printout—Chinese Design Registration No. 302889188, dated  
 Jul. 23, 2014.  
 Questel Printout—Chinese Design Registration No. 302361955,  
 dated Mar. 20, 2013.  
 Questel Printout—Chinese Design Registration No. 302327164,  
 dated Feb. 20, 2013.  
 Questel Printout—Chinese Design Registration No. 302351286,  
 dated Mar. 13, 2013.  
 Questel Printout—Chinese Design Registration No. 300769923,  
 dated Apr. 23, 2008.

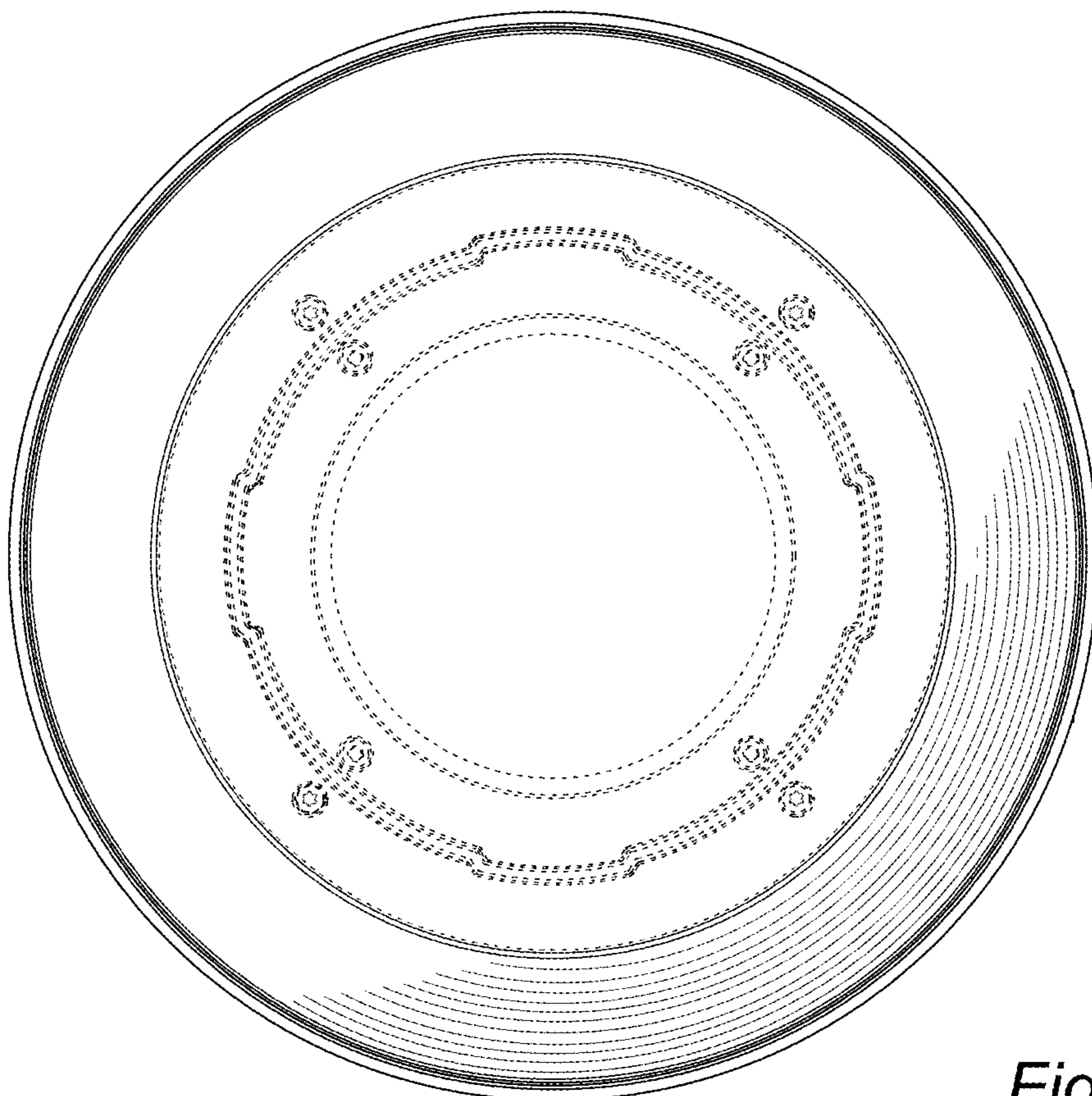
\* cited by examiner



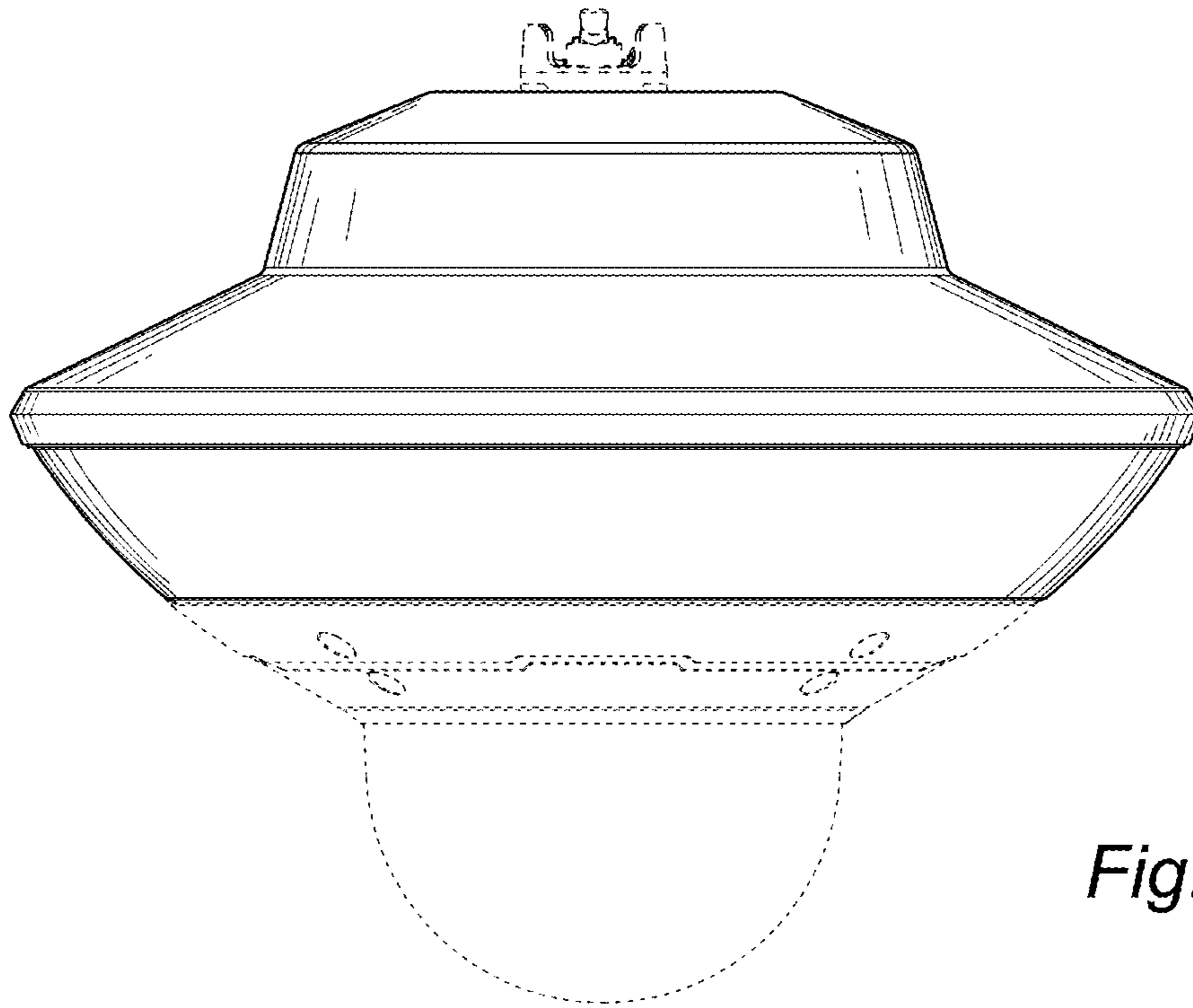
*Fig. 1*



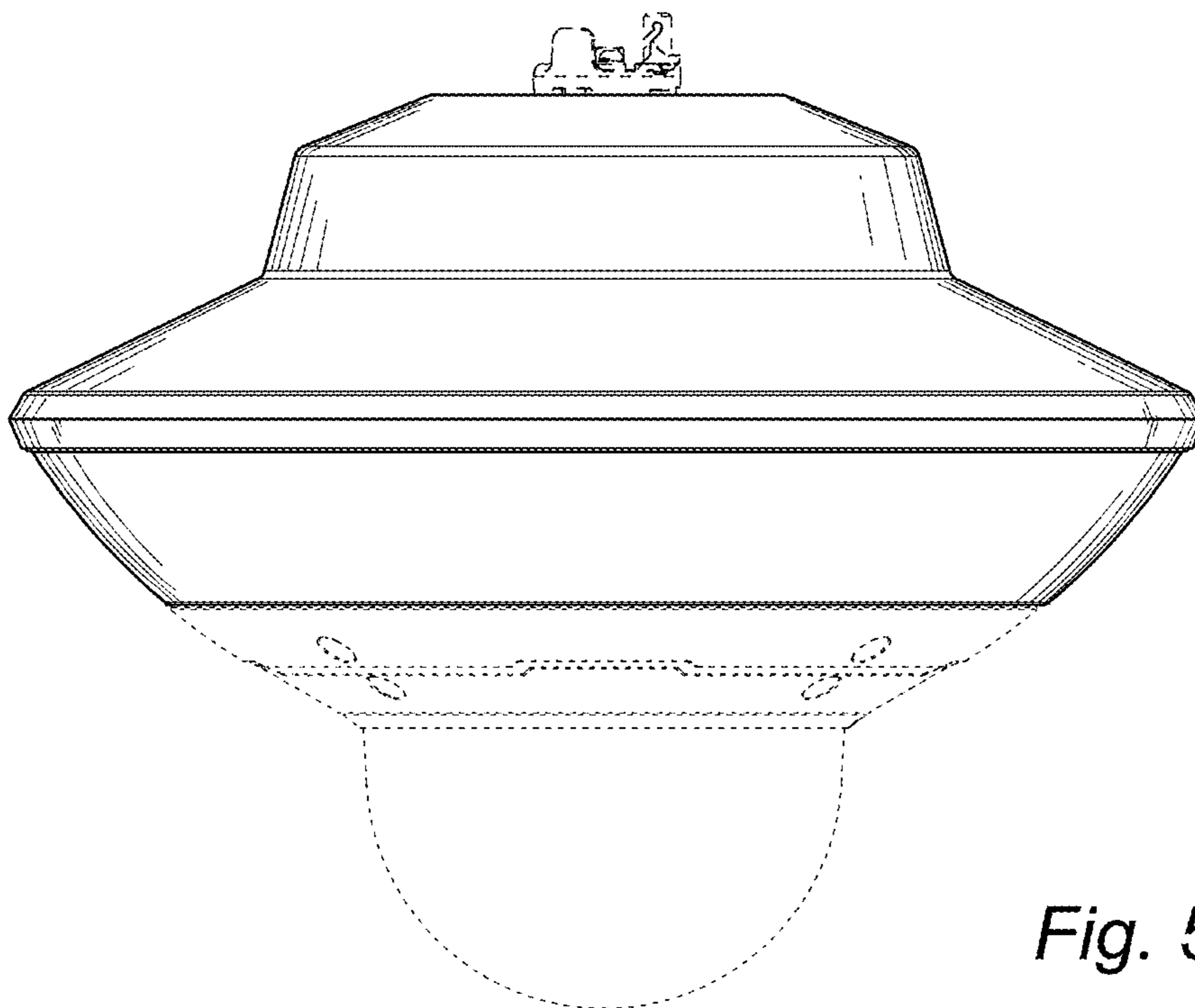
*Fig. 2*



*Fig. 3*



*Fig. 4*



*Fig. 5*

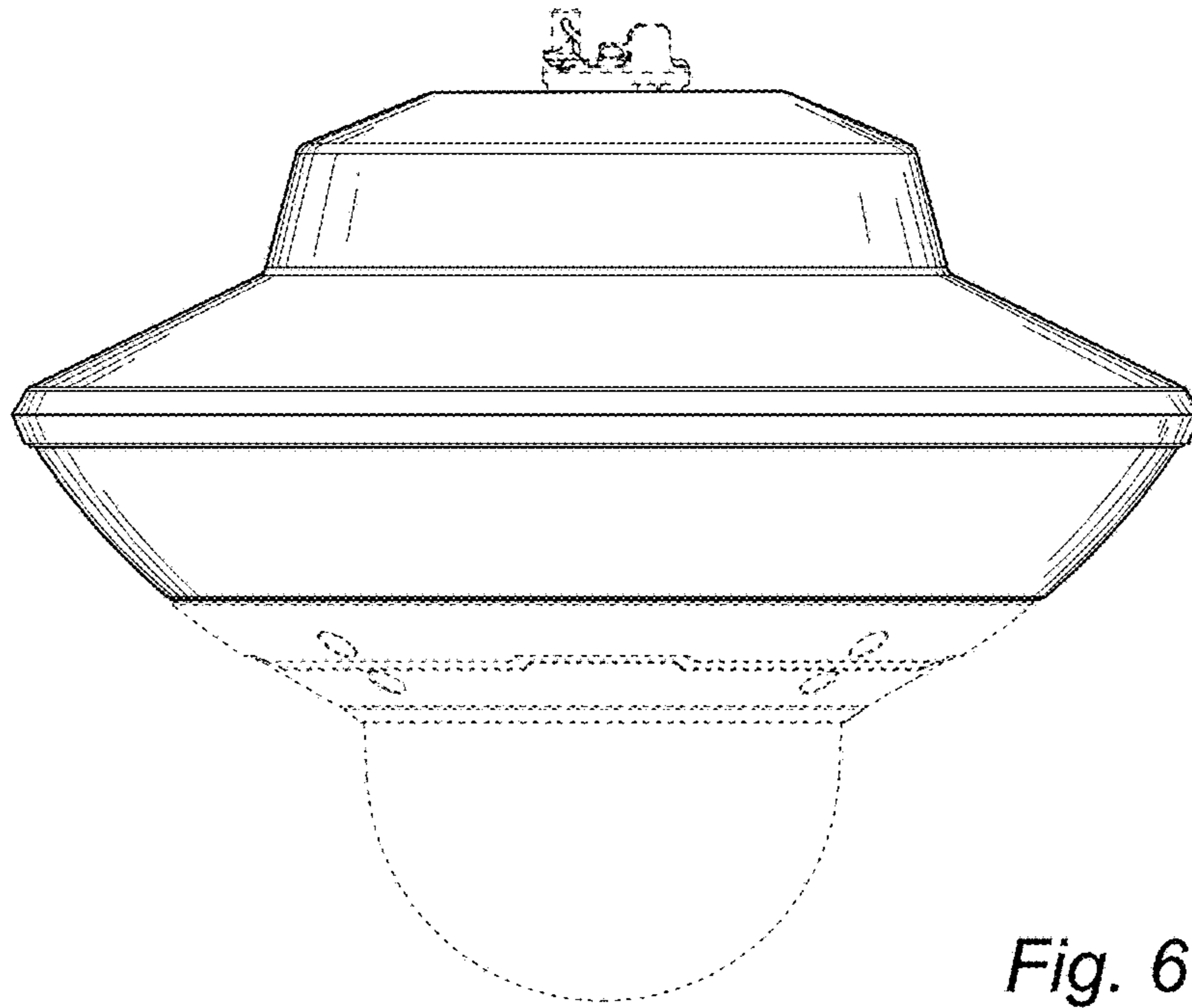


Fig. 6

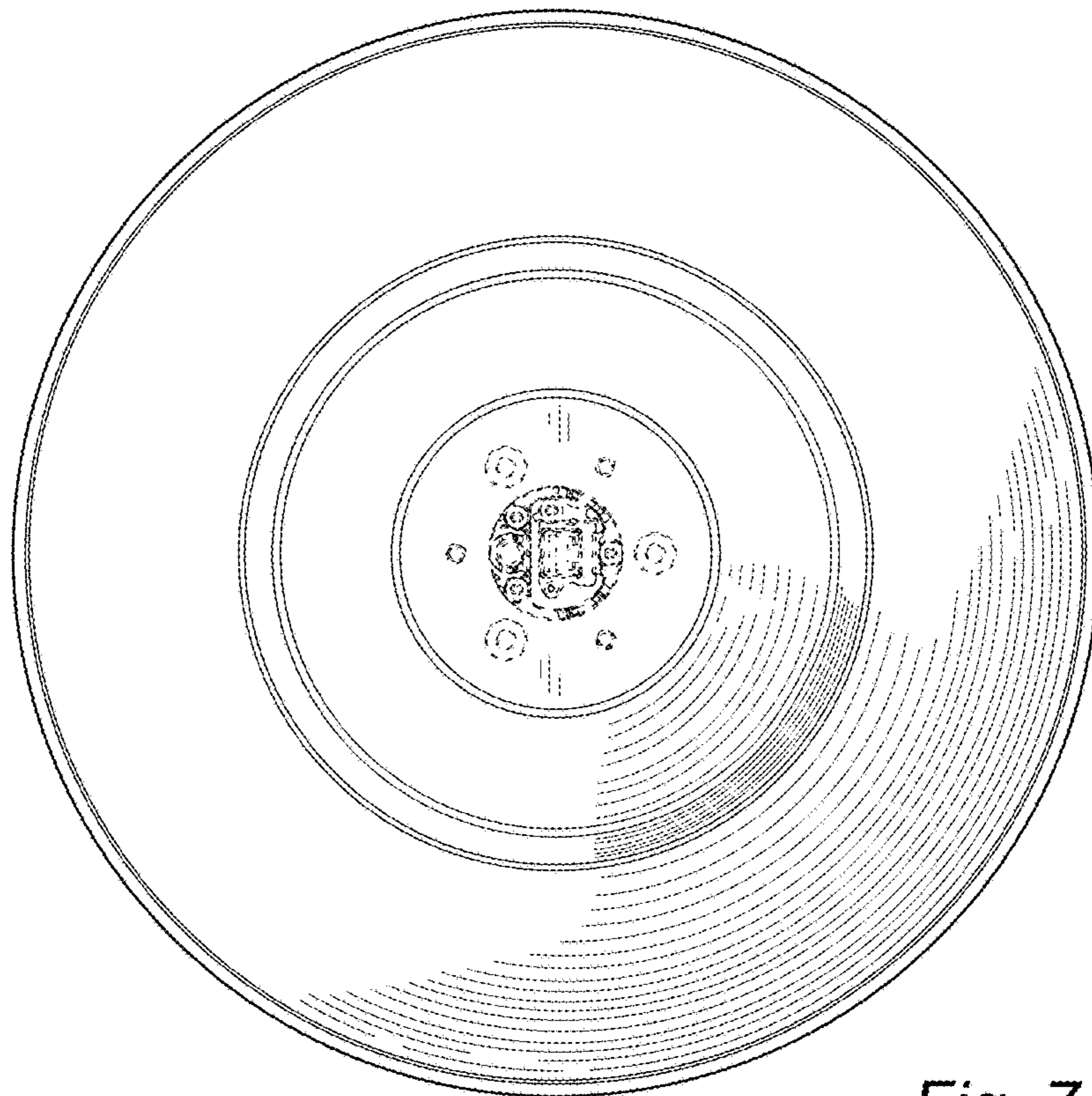


Fig. 7