

US00D849094S

(12) **United States Design Patent** (10) **Patent No.:** **US D849,094 S**
Gan (45) **Date of Patent:** **** May 21, 2019**

(54) **BABY MONITOR**
(71) Applicant: **SHENZHEN VALUELINK E-COMMERCE CO., LTD.**, Shenzhen (CN)
(72) Inventor: **Qingcao Gan**, Shenzhen (CN)
(73) Assignee: **SHENZHEN VALUELINK-E-COMMERCE CO., LTD.**, Shenzhen (CN)

D556,803 S * 12/2007 Ishida D16/202
D574,870 S * 8/2008 Takahashi D16/202
D583,845 S * 12/2008 Hayashi D14/130
D626,984 S * 11/2010 Miyaji D16/202
D661,718 S * 6/2012 Tang D16/202
8,695,258 B2 * 4/2014 Kori G09F 7/06
40/663
D719,204 S * 12/2014 Nakanishi D16/203
D751,619 S * 3/2016 Jeong D16/203
D752,675 S * 3/2016 Ravat D16/203
D753,206 S * 4/2016 Ravat D16/203
D783,076 S * 4/2017 Ravat D16/203

(**) Term: **15 Years**

(21) Appl. No.: **29/616,180**

(22) Filed: **Sep. 2, 2017**

(51) **LOC (11) Cl.** **16-01**

(52) **U.S. Cl.**
USPC **D16/203**

(58) **Field of Classification Search**
USPC D16/200, 202–207, 208, 218, 219;
348/143, 148, 151, 373–376; 396/419,
396/427, 535, 539–541
CPC G03B 17/02; G03B 19/04; G03B 17/56;
G03B 17/04; G03B 15/03; H04N 5/2251;
H04N 5/2252; H04N 5/2253; H04N
5/2254; H04N 7/181; H04N 7/183; H04N
7/18; G08B 13/1963; G08B 13/19619;
G08B 13/19632; F16M 11/04; F16M
13/00

See application file for complete search history.

(56) **References Cited**

U.S. PATENT DOCUMENTS

D542,319 S * 5/2007 Ishida D16/202
D550,738 S * 9/2007 Hsia D16/202

* cited by examiner

Primary Examiner — Ramzi S Almatrahi

(74) *Attorney, Agent, or Firm* — Wayne & Ken, LLC;
Tony Hom

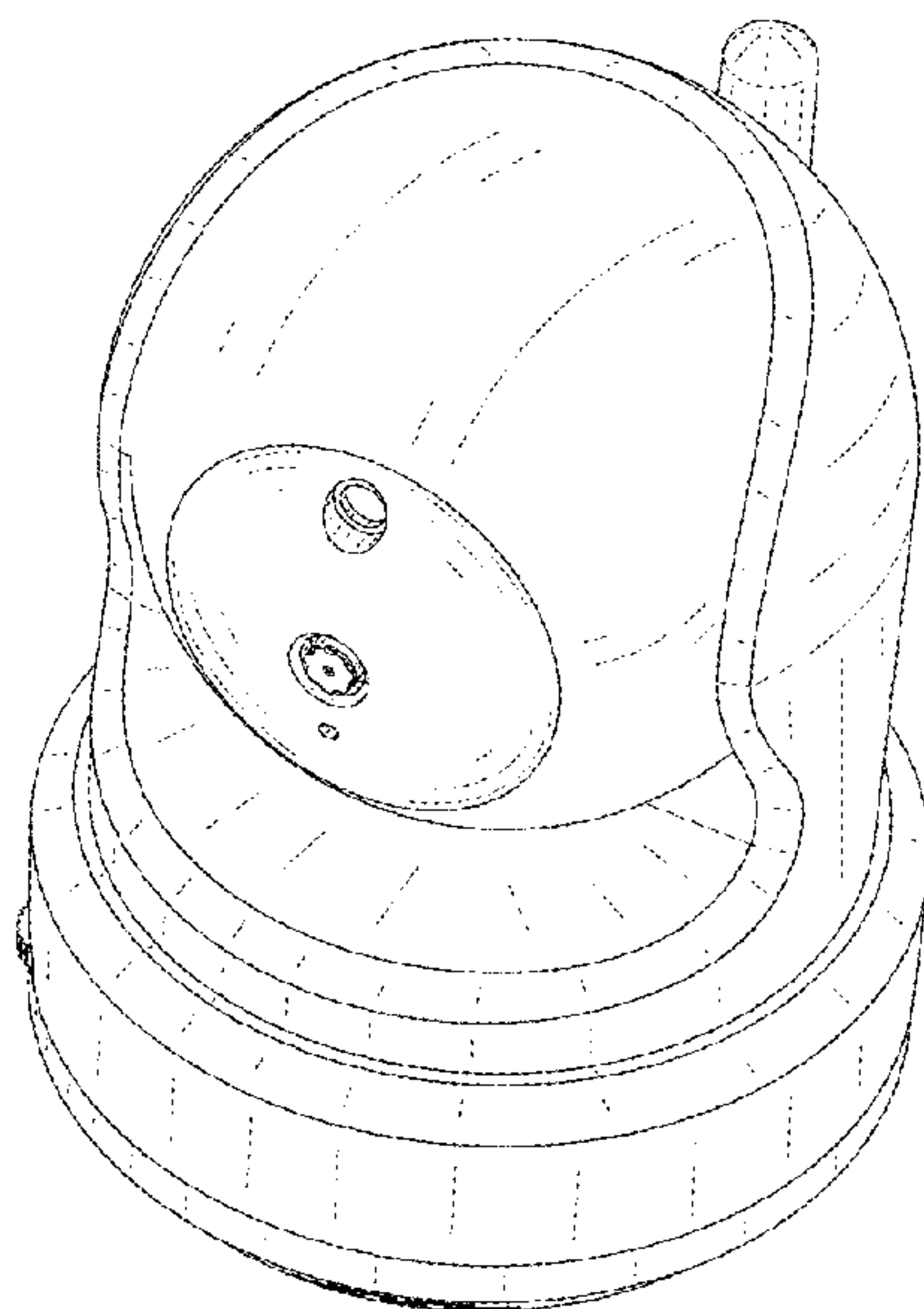
(57) **CLAIM**

The ornamental design for a baby monitor, as shown and described.

DESCRIPTION

FIG. 1 is a perspective view of a baby monitor showing my new design;
FIG. 2 is a front view thereof;
FIG. 3 is a back view thereof;
FIG. 4 is a left view thereof;
FIG. 5 is a right view thereof;
FIG. 6 is a top view thereof; and,
FIG. 7 is a bottom view thereof.
The broken lines depict portions of the baby monitor in which the design is embodied that form no part of the claimed design.

1 Claim, 7 Drawing Sheets



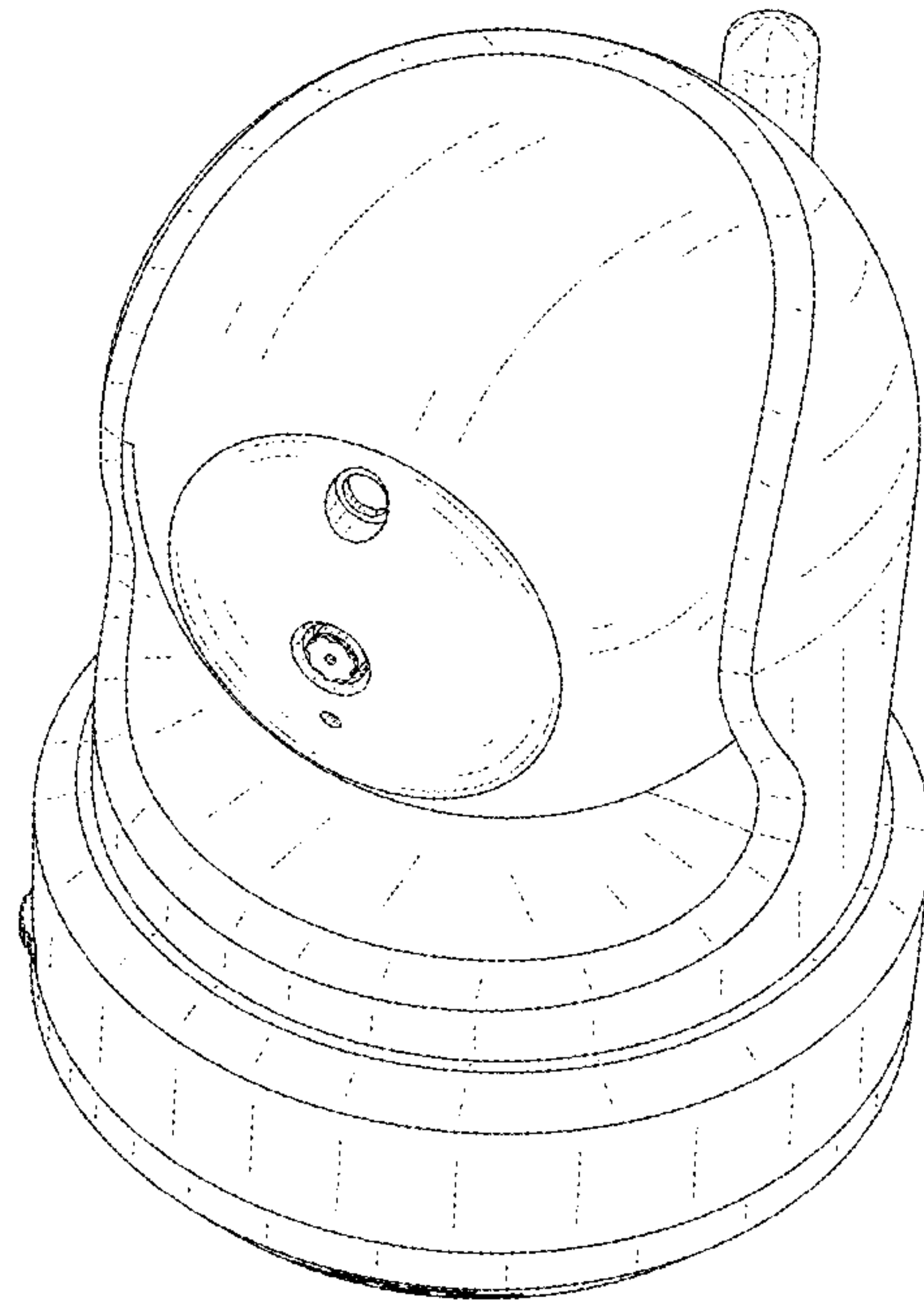


Fig. 1

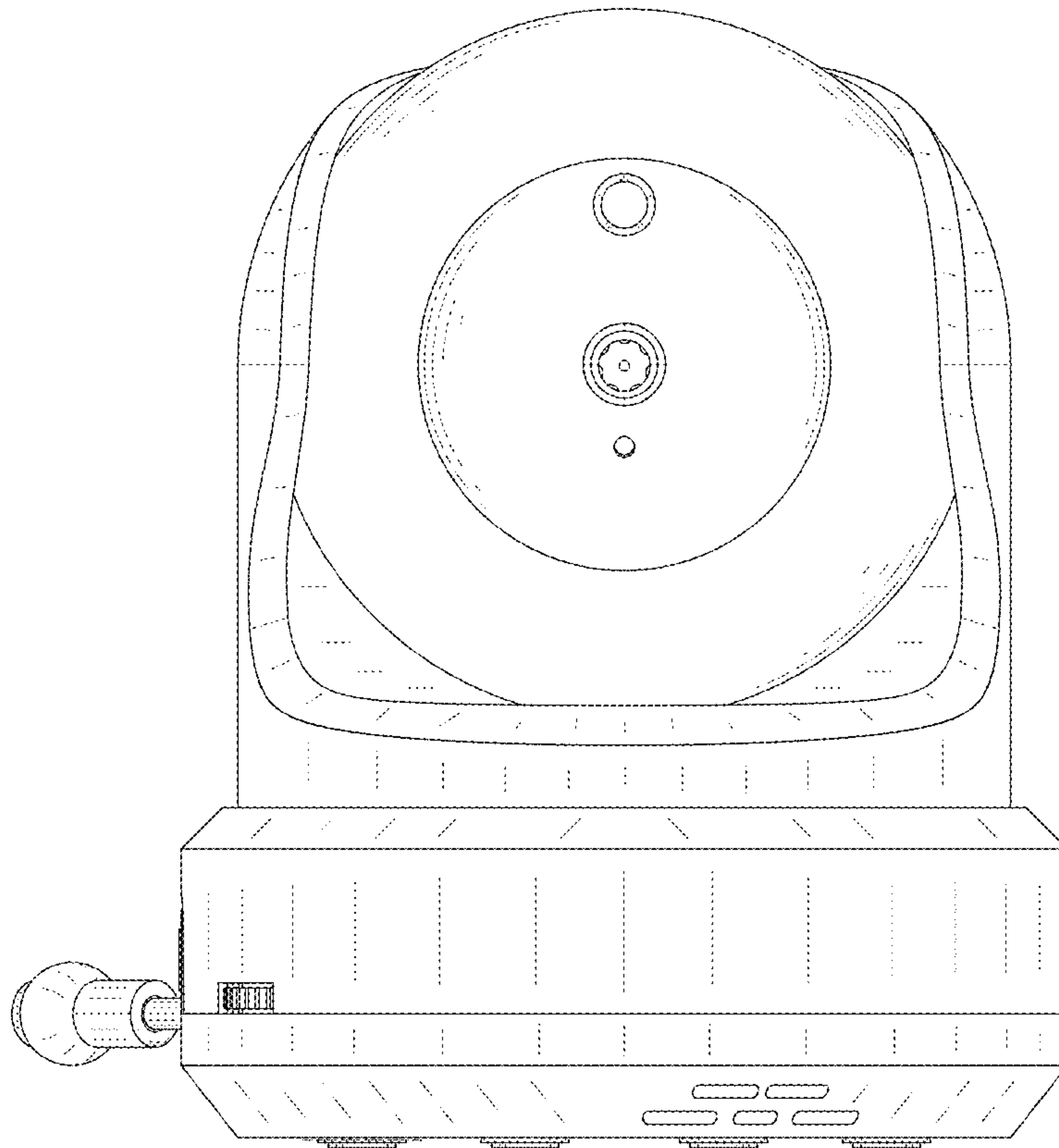


Fig. 2

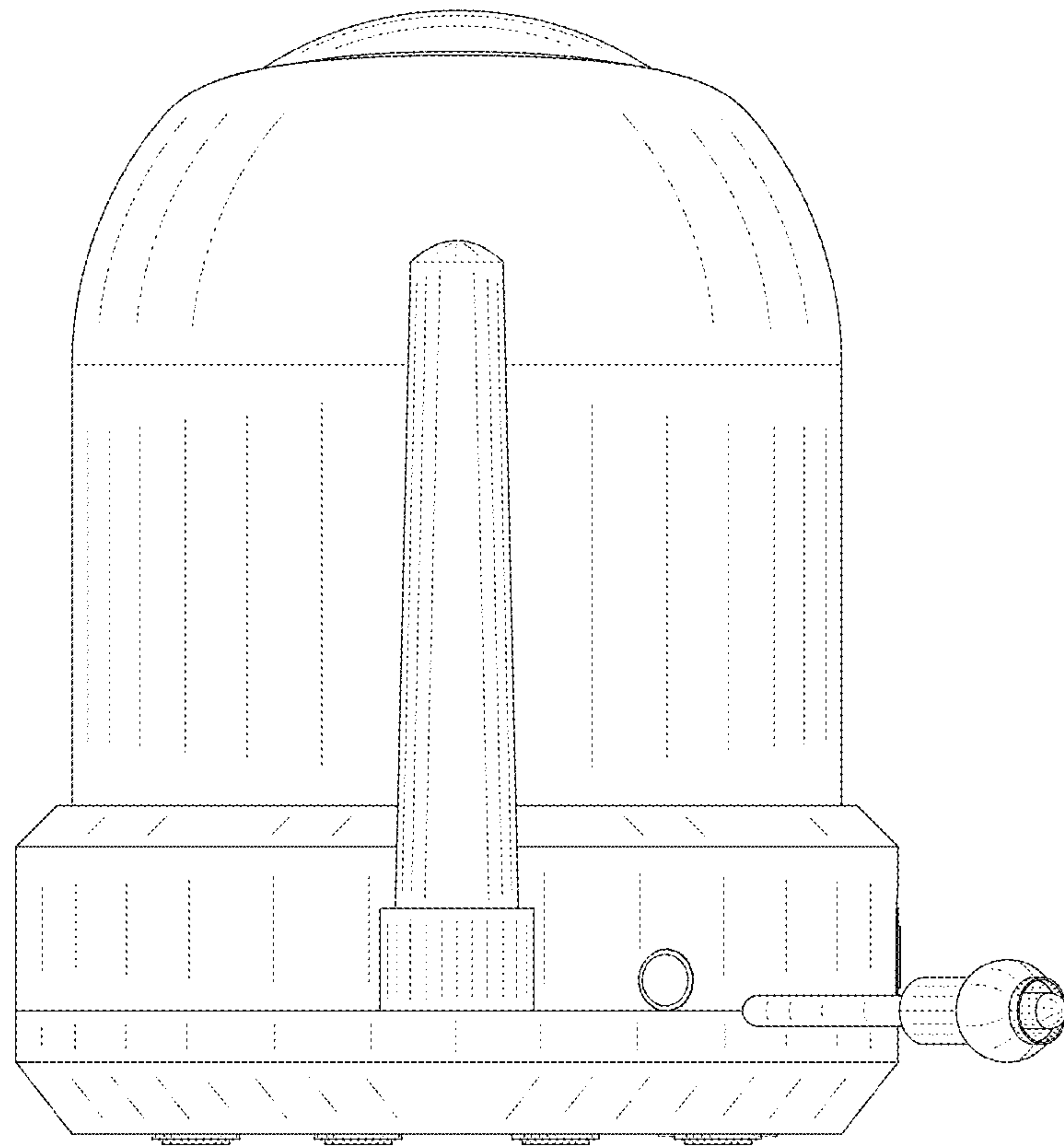


Fig. 3

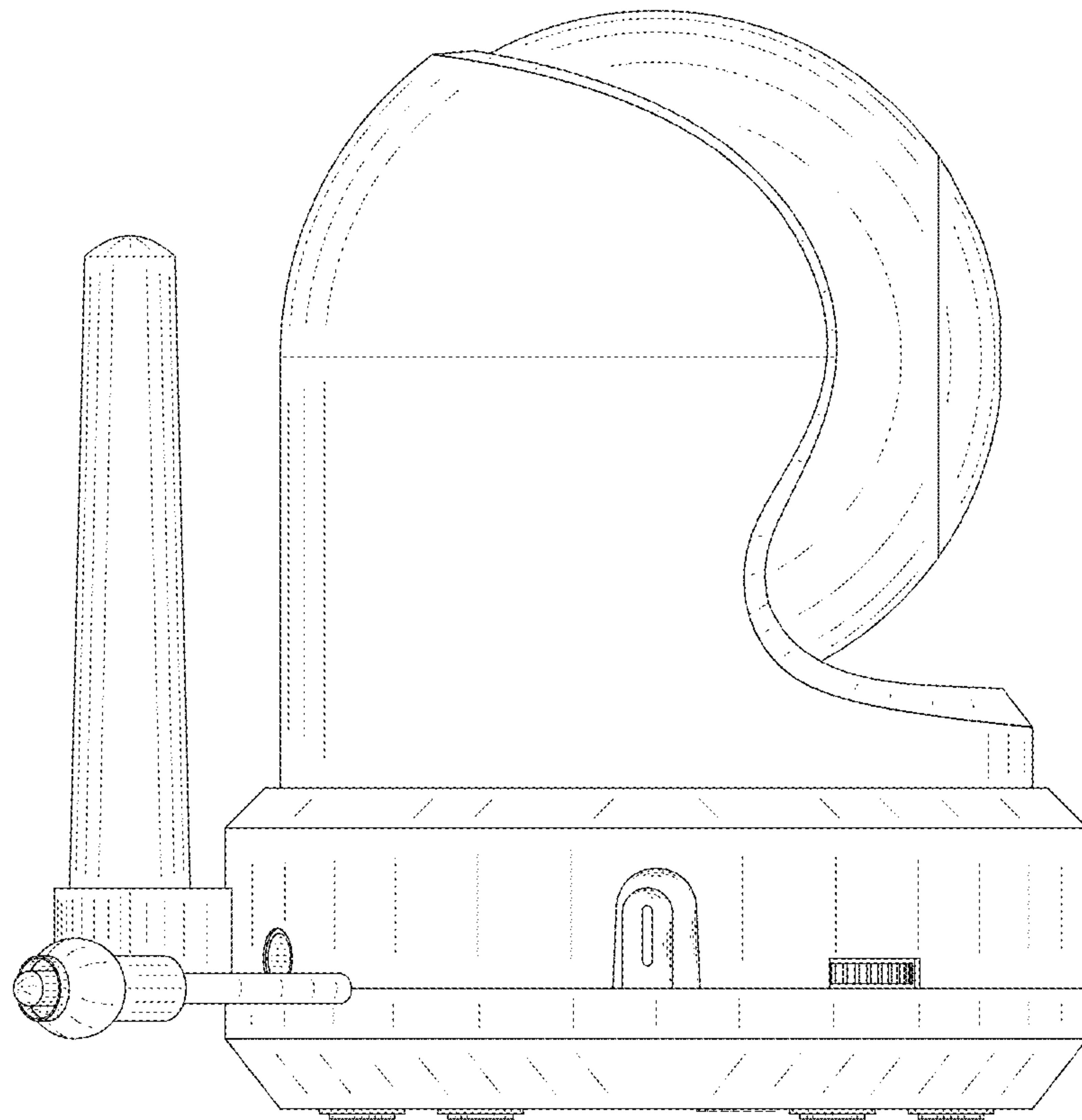


Fig. 4

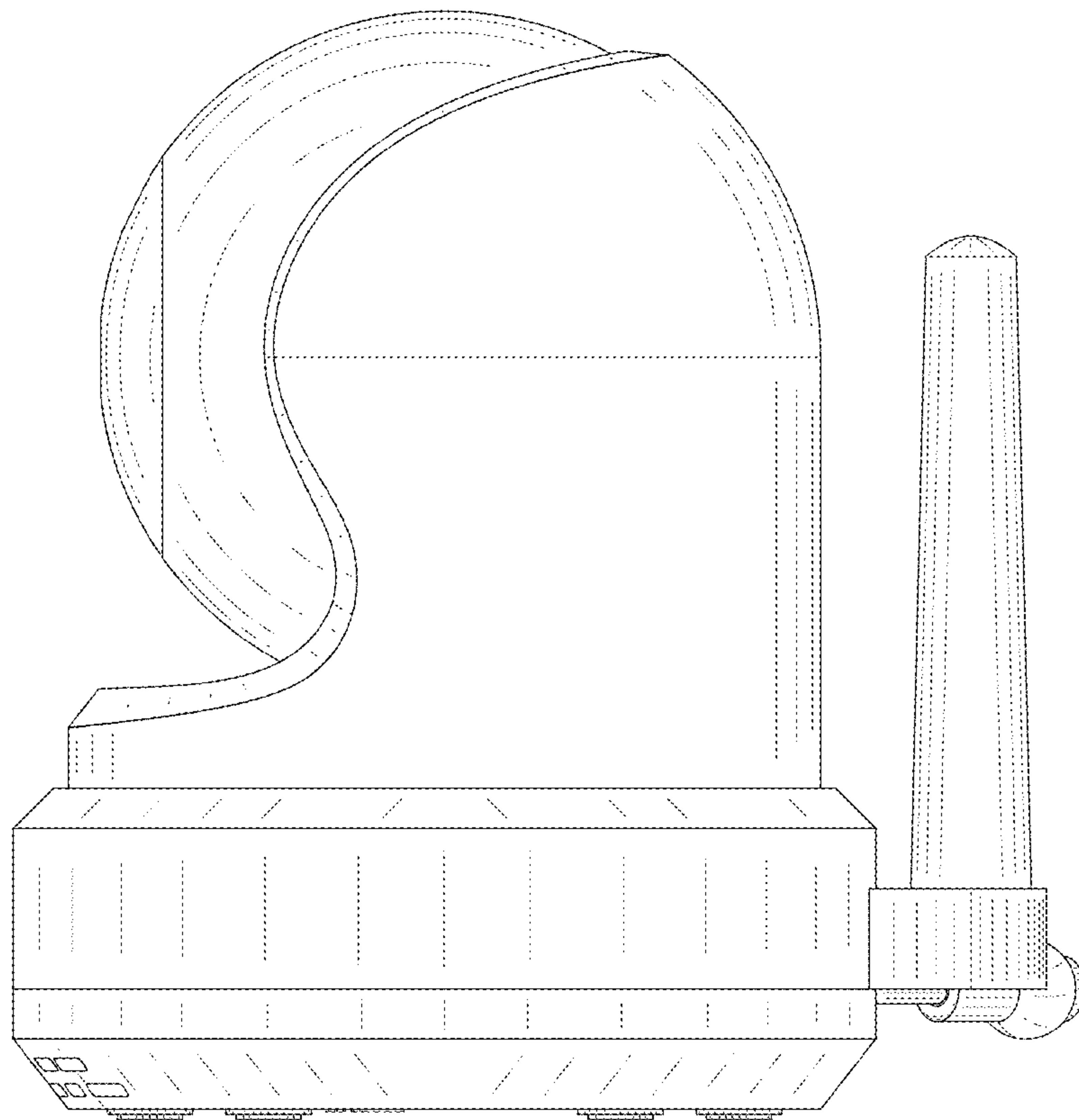


Fig. 5

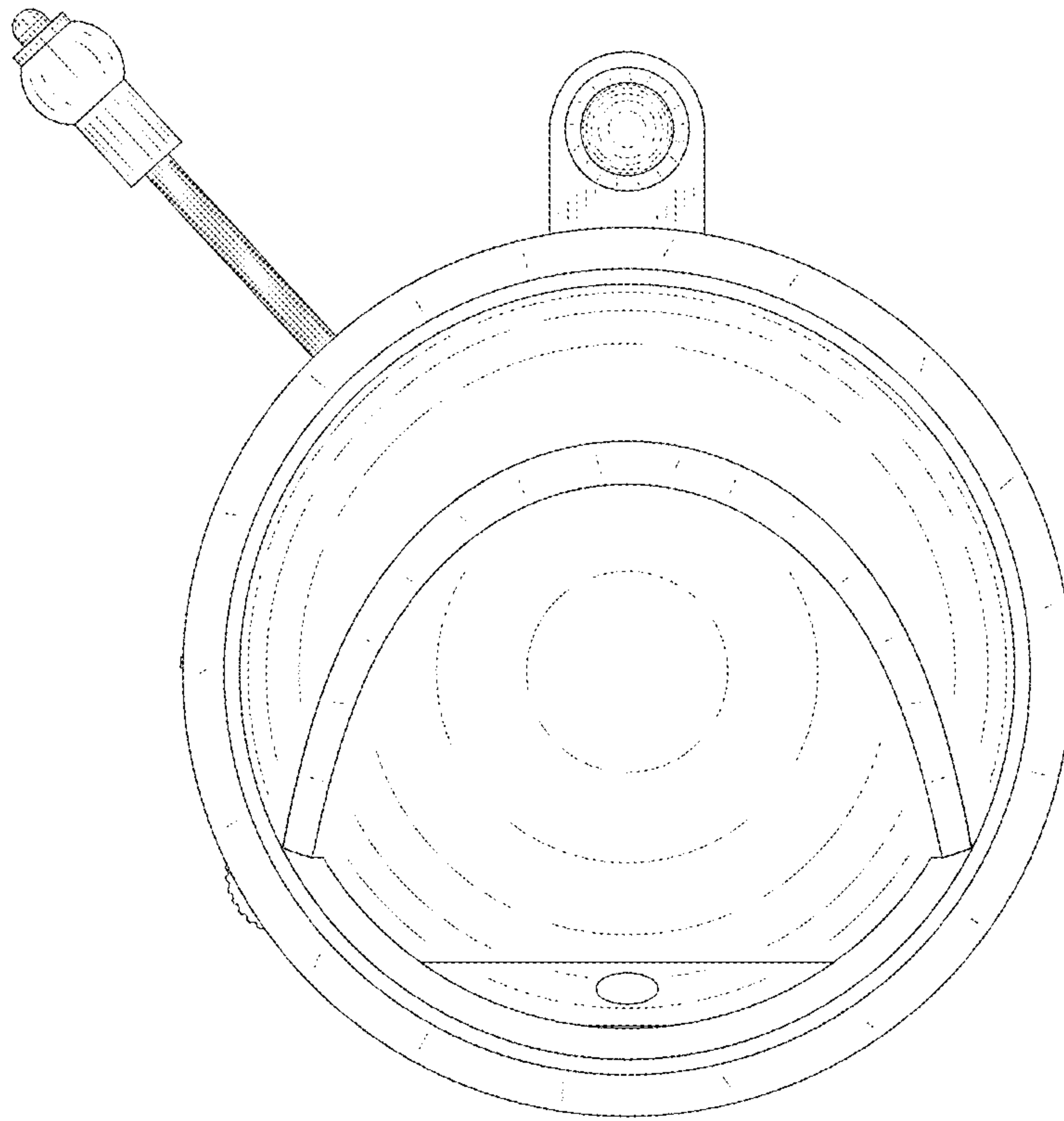


Fig. 6

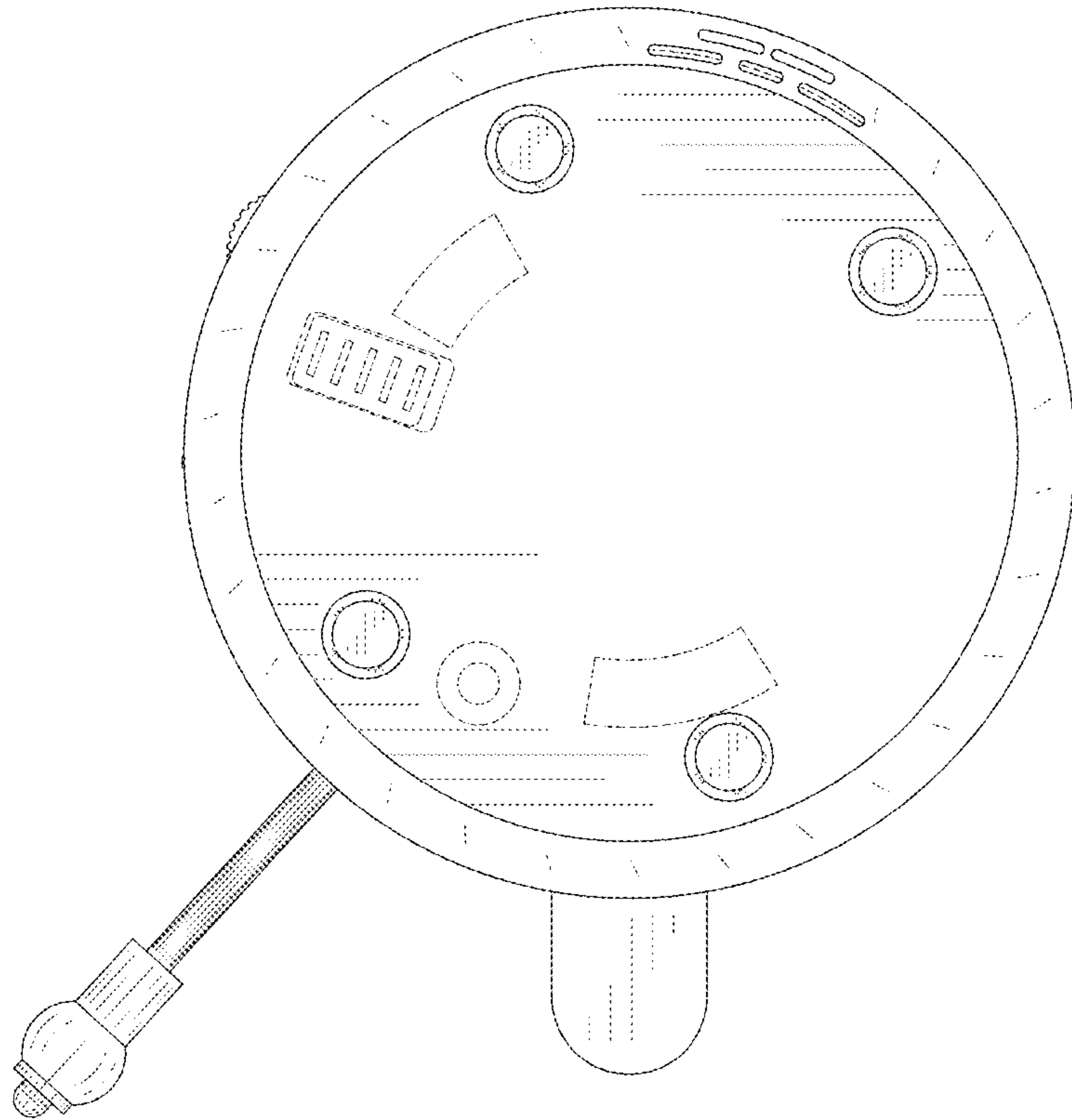


Fig. 7